

**STIHL RM 443, RM 443 T, RM 448 PC, RM 448 PT
RM 448 T, RM 448 TC, RM 448 TX, RM 448 VC**

STIHL



- EN** Instruction manual
- SK** Návod na obsluhu
- TR** Kullanım kılavuzu
- HU** Használati útmutató
- SR** Uputstvo za upotrebu
- HR** Upute za uporabu
- CS** Návod k použití
- LV** Lietošanas pamācība
- LT** Naudojimo instrukcija
- RO** Instrucțiuni de utilizare
- EL** Οδηγίες χρήσης
- BG** Инструкция за експлоатация
- ET** Kasutusjuhend
- AZ** İstifadə üzrə təlimat
- KK** Пайдаланушының нұсқаулығы

RM 443.0

RM 443.0 T

RM 448.0 PC

RM 448.0 PT

RM 448.0 T

RM 448.0 TC

RM 448.0 TX

RM 448.0 VC

A

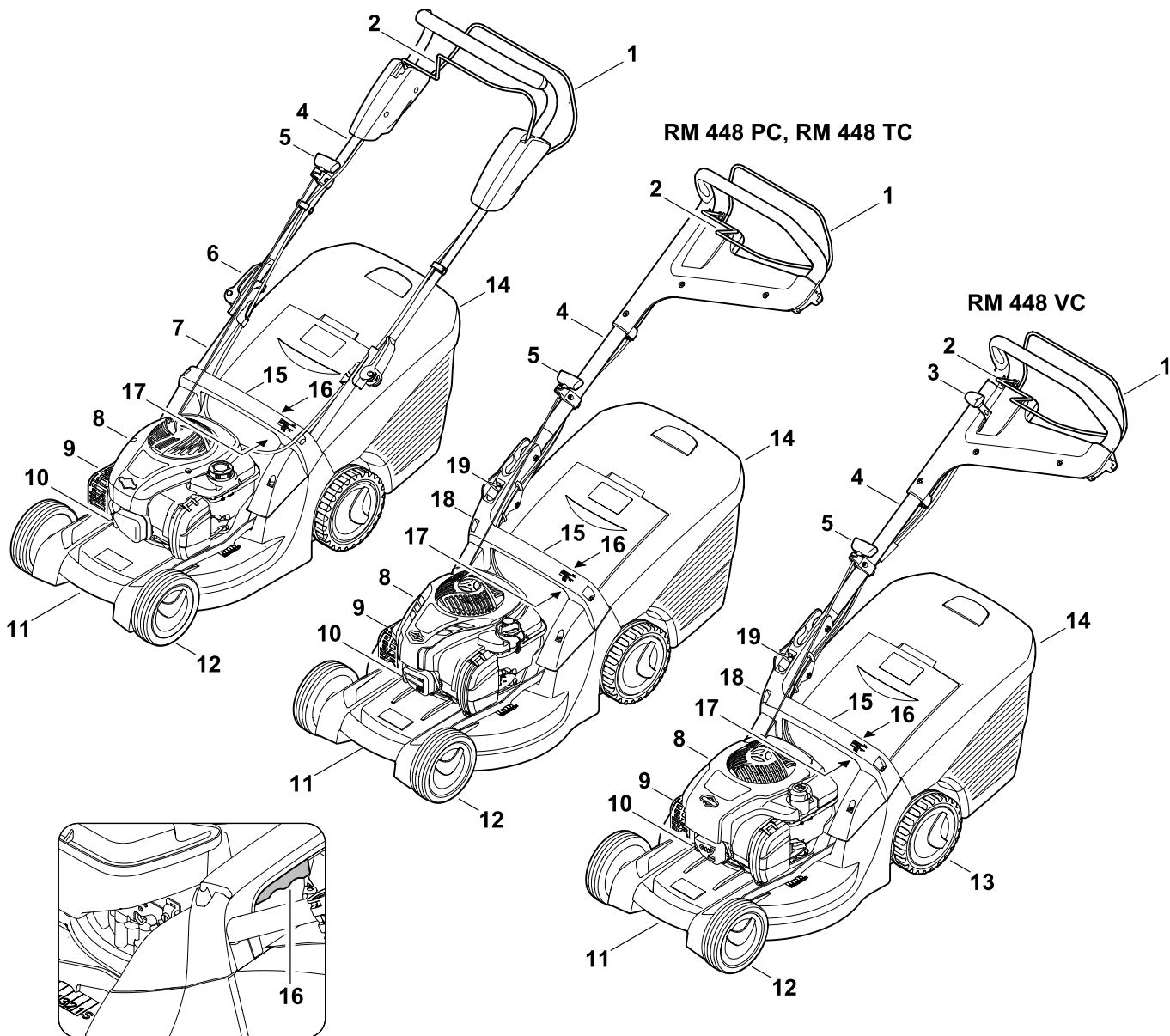
INT 2



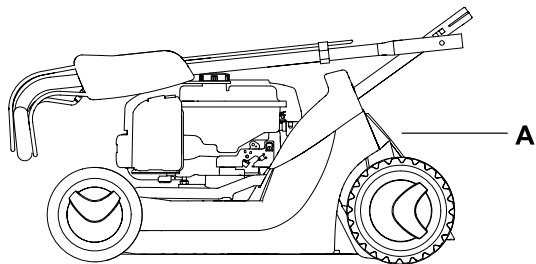
RM 443, RM 443 T, RM 448 PT
 RM 448 T, RM 448 TX

RM 448 PC, RM 448 TC

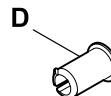
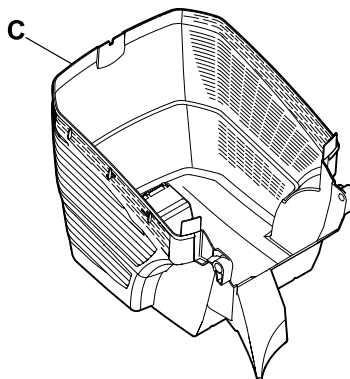
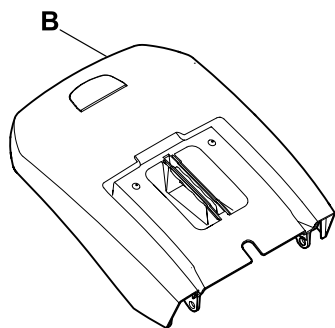
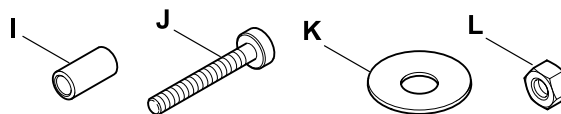
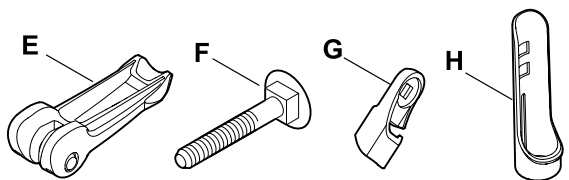
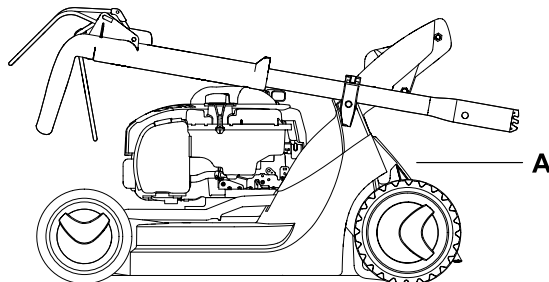
RM 448 VC

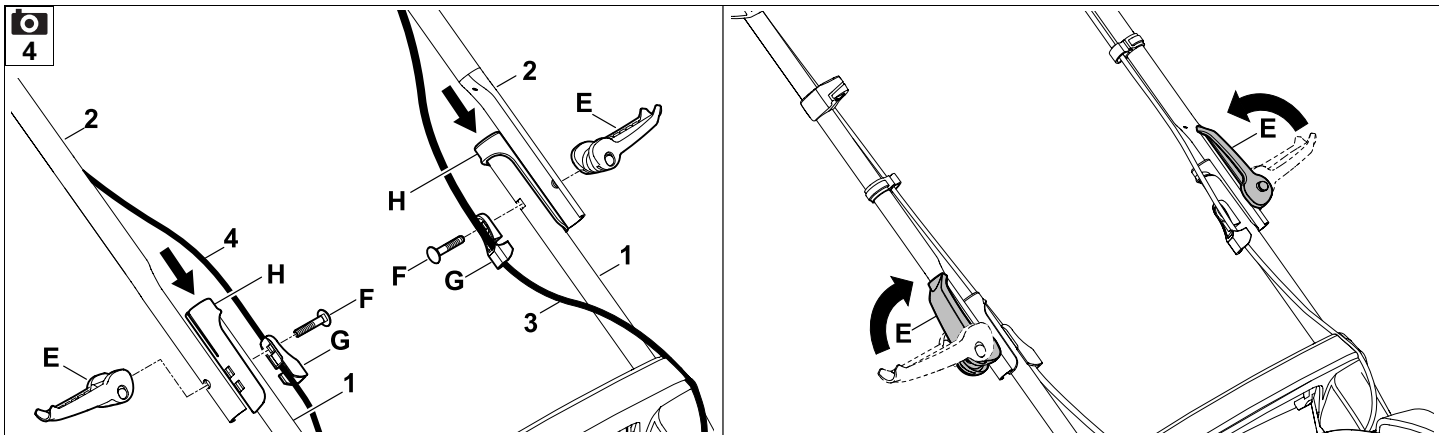
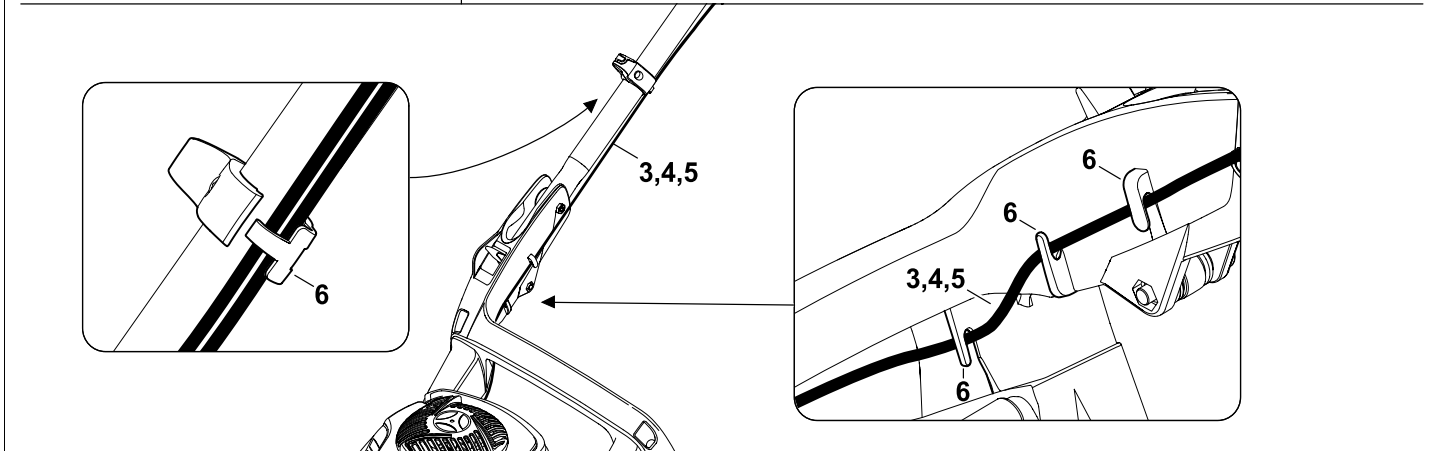
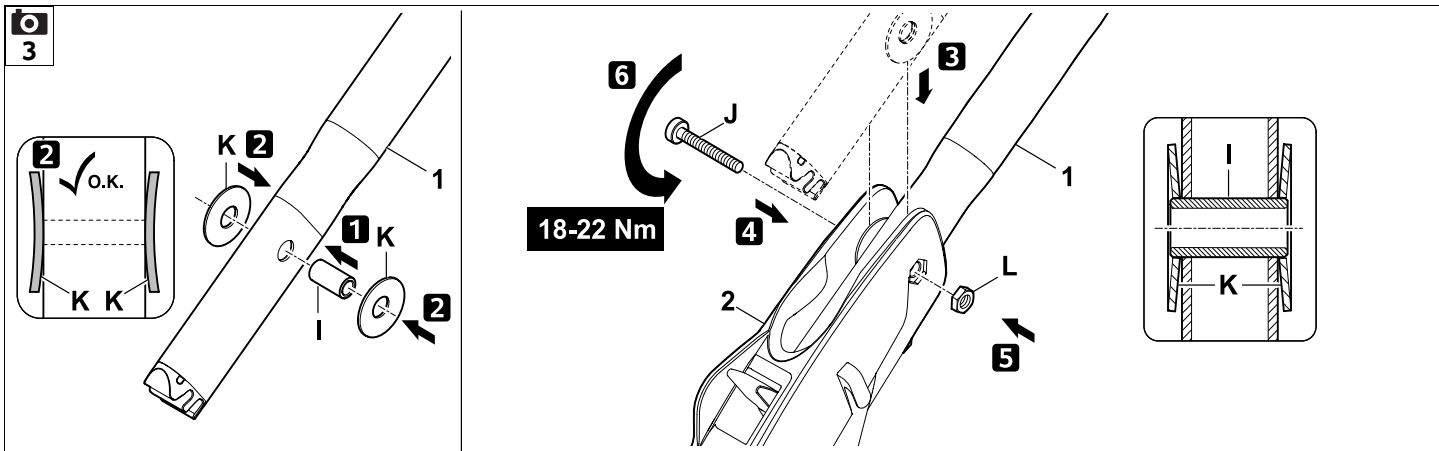


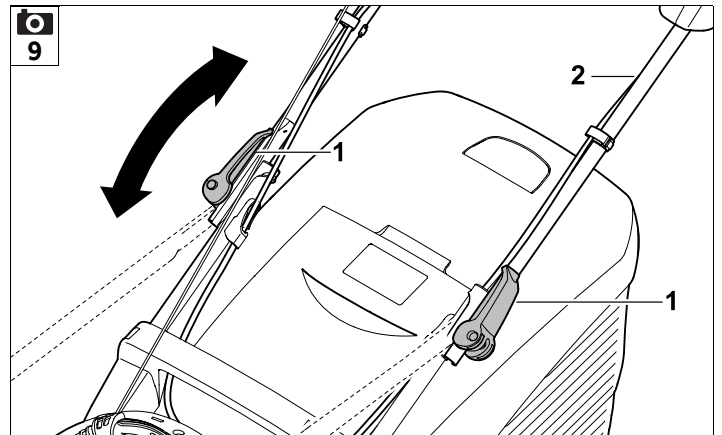
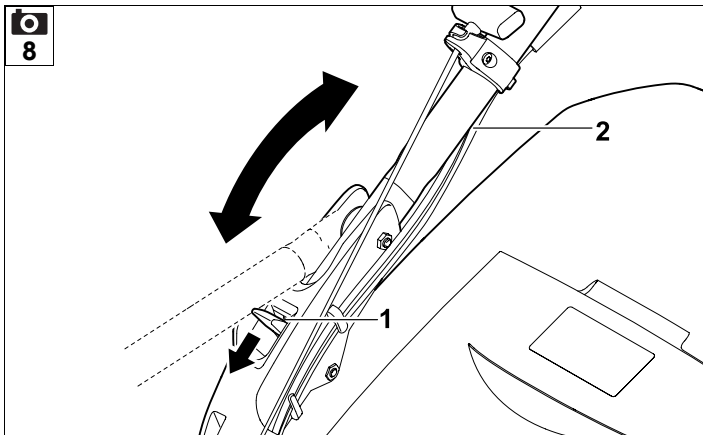
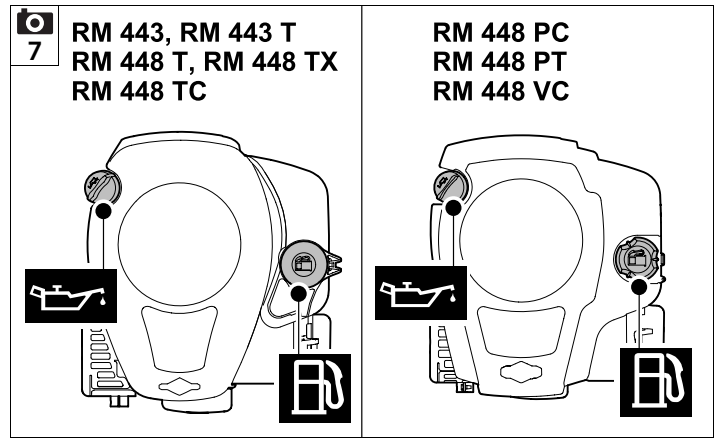
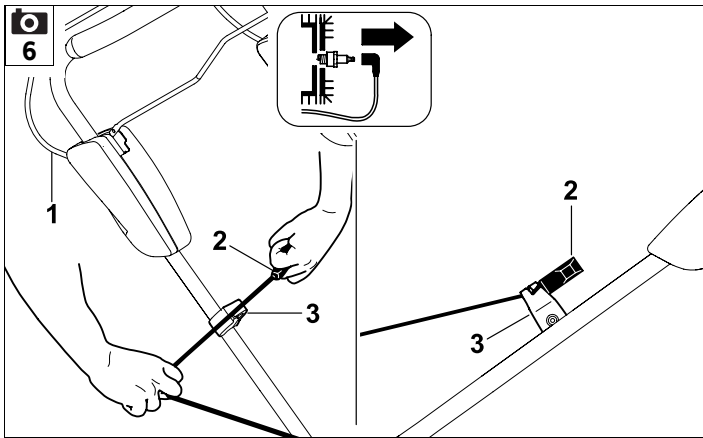
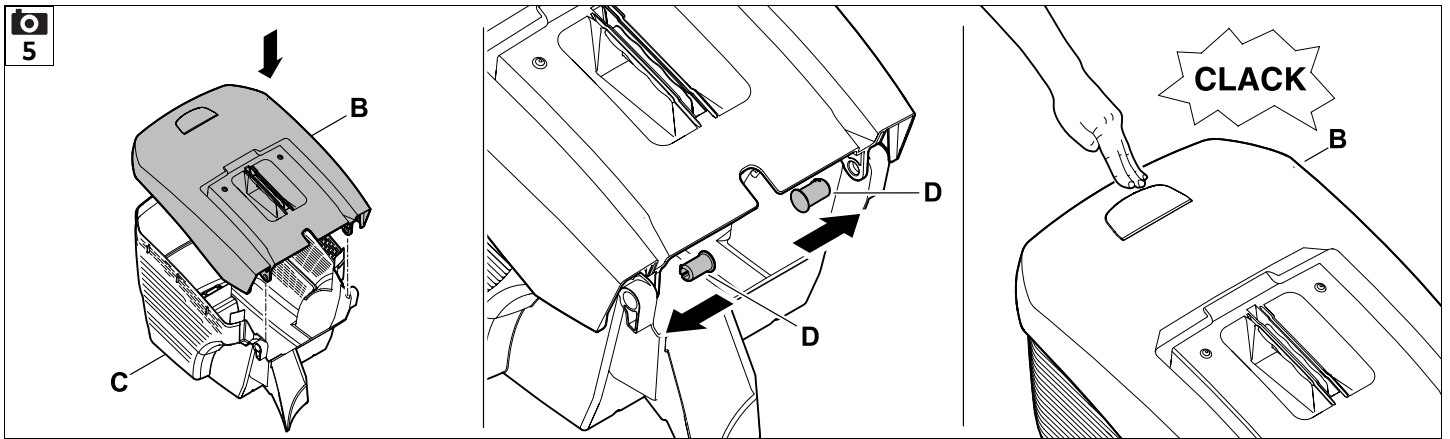
RM 443, RM 443 T, RM 448 PT
RM 448 T, RM 448 TX

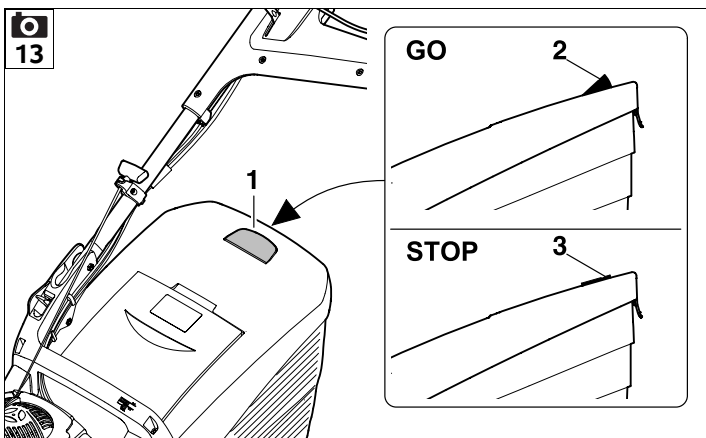
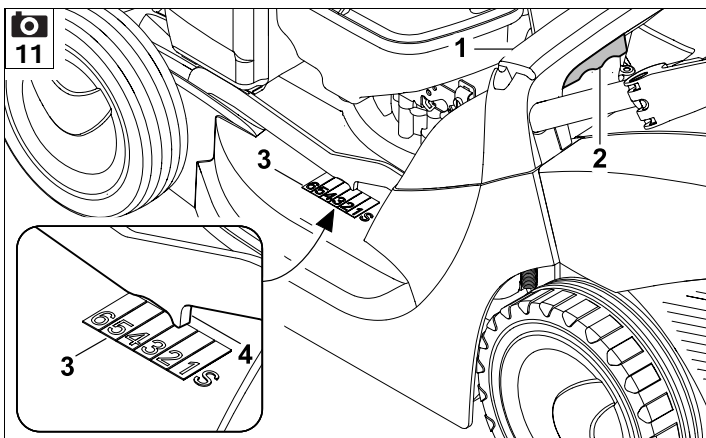
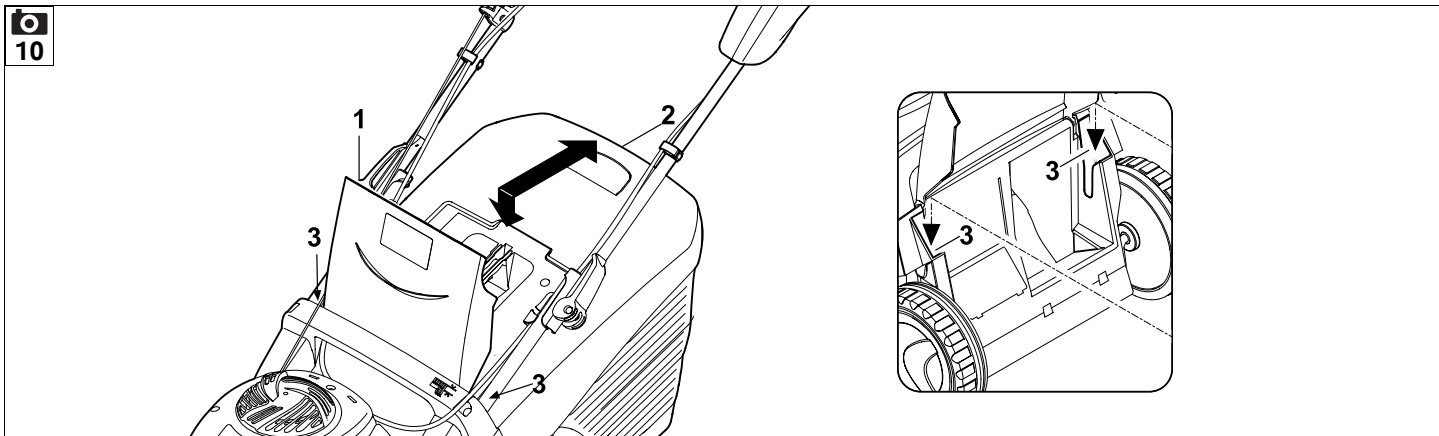


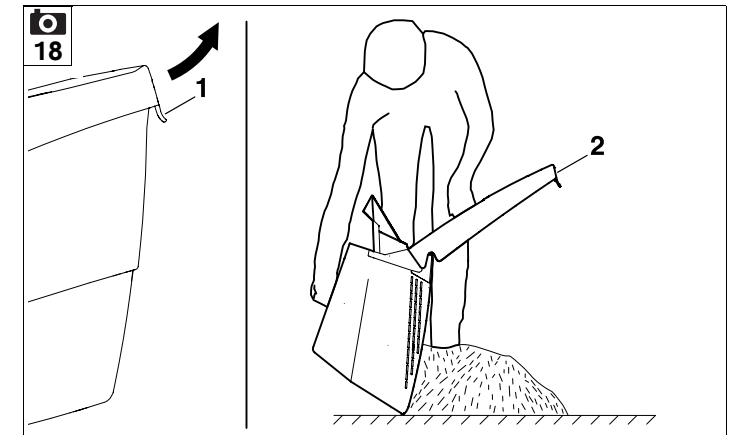
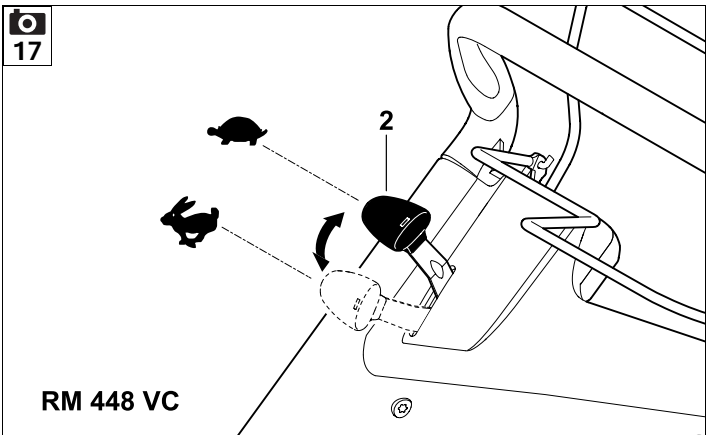
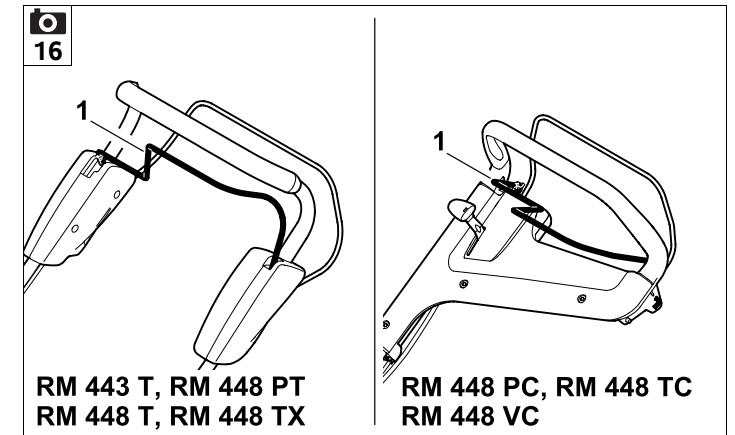
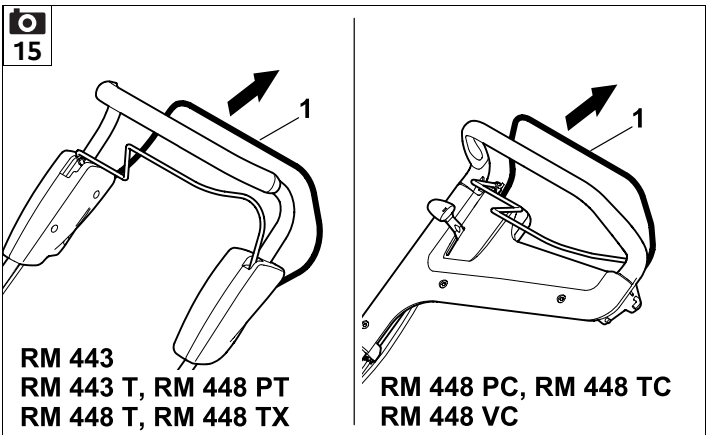
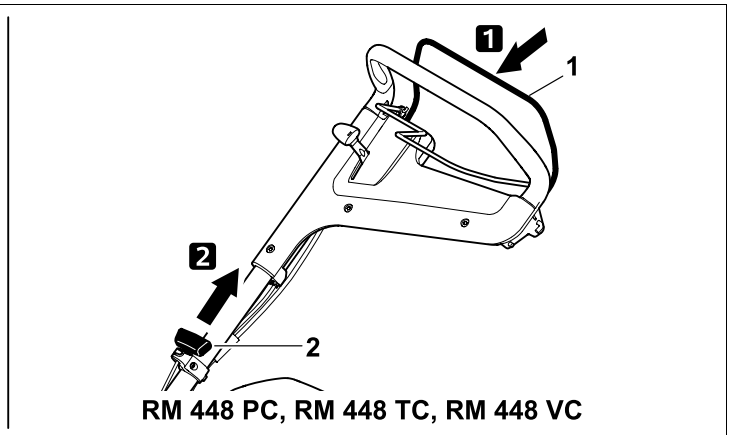
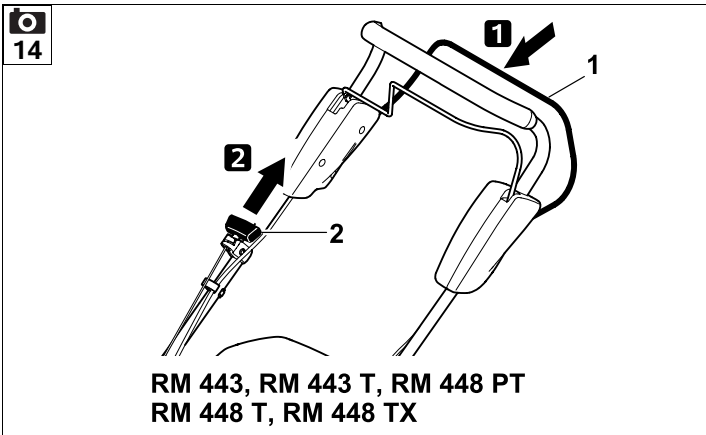
RM 448 PC, RM 448 TC, RM 448 VC





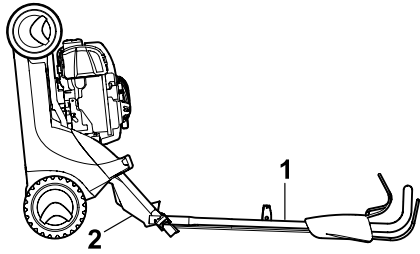




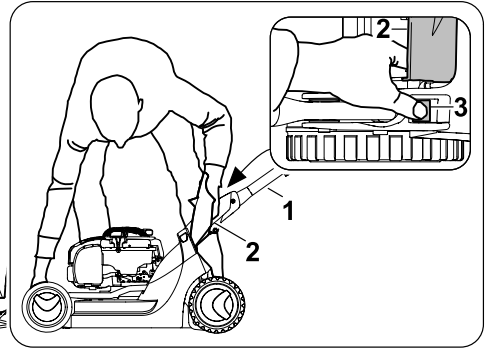
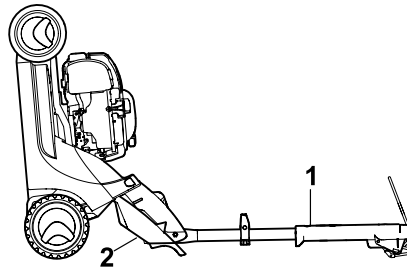


19

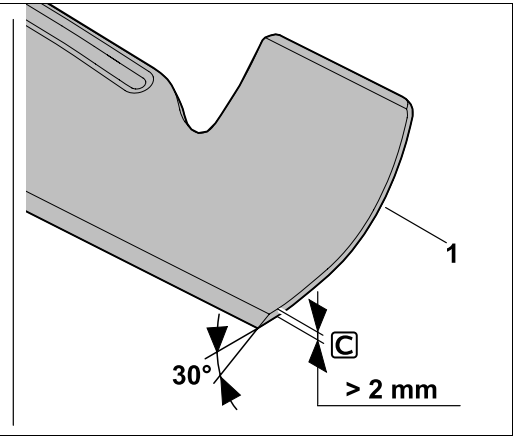
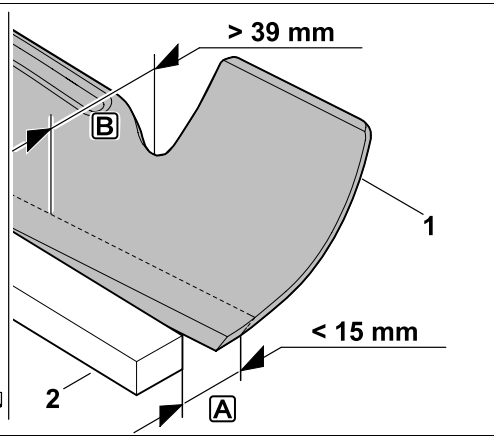
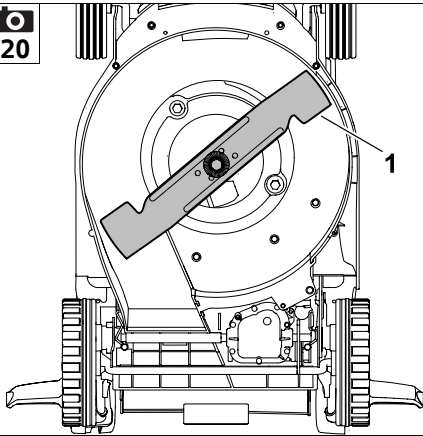
RM 443, RM 443 T, RM 448 PT
RM 448 T, RM 448 TX



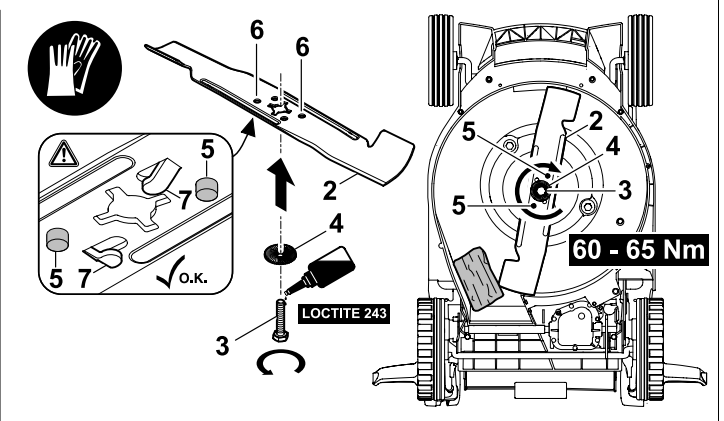
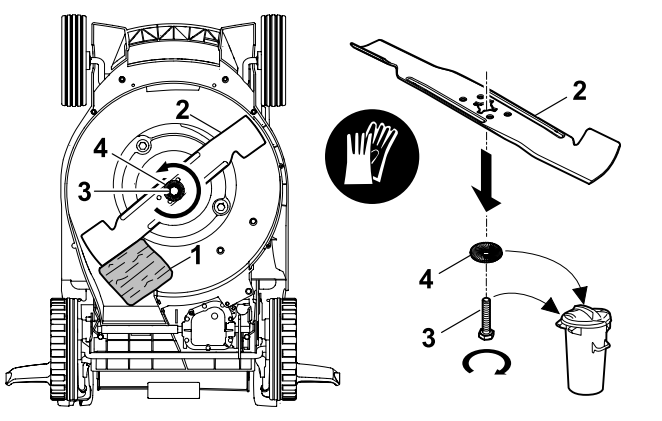
RM 448 PC, RM 448 TC
RM 448 VC



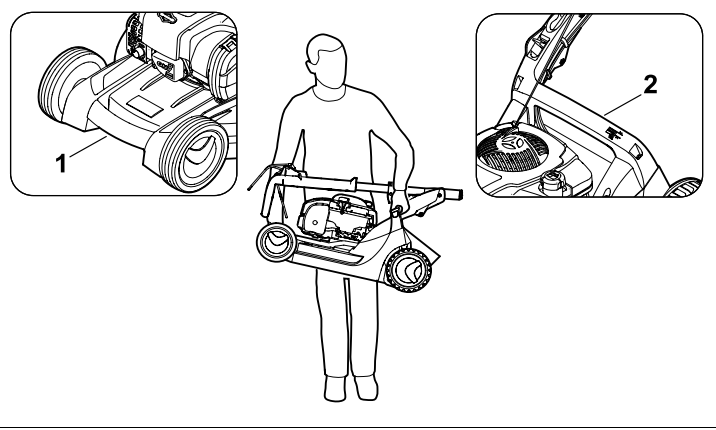
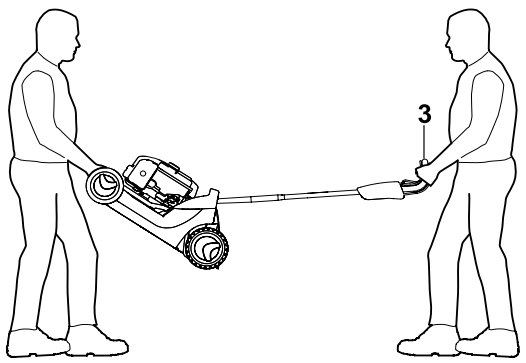
20



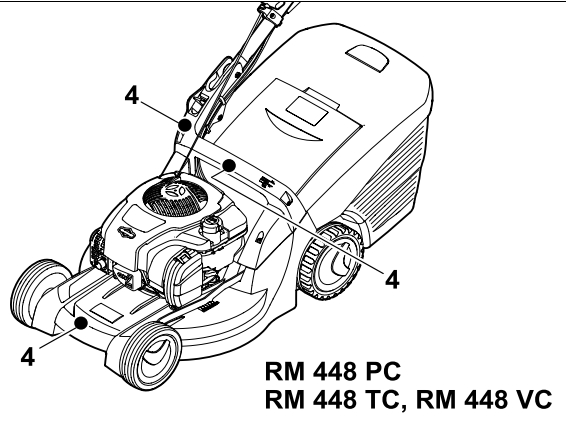
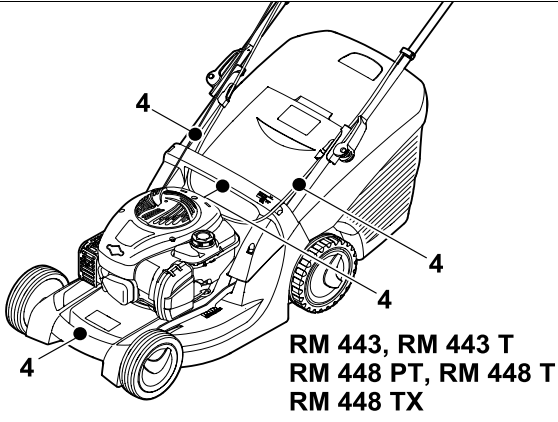
21



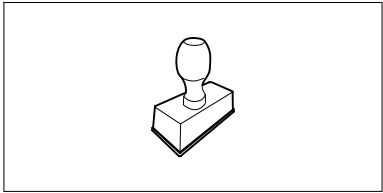
22



23

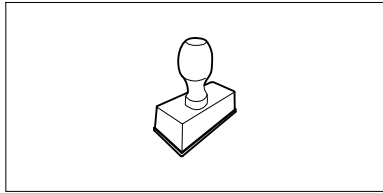


UU _____ 2.0



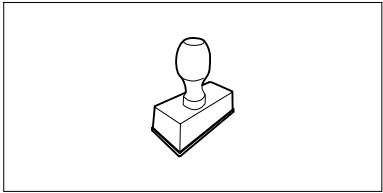
▶ UU _____ 2.0

UU _____ 2.0



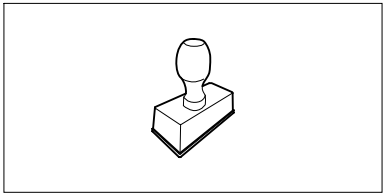
▶ UU _____ 2.0

UU _____ 2.0



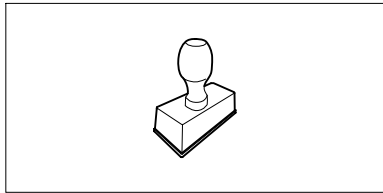
▶ UU _____ 2.0

UU _____ 2.0



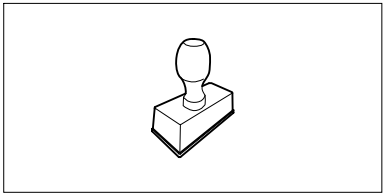
▶ UU _____ 2.0

UU _____ 2.0



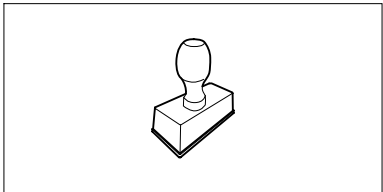
▶ UU _____ 2.0

UU _____ 2.0



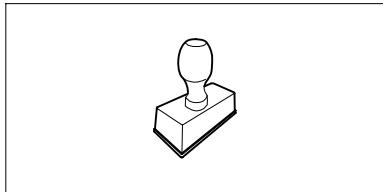
▶ UU _____ 2.0

UU _____ 2.0



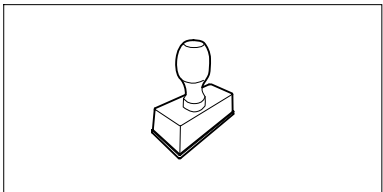
▶ UU _____ 2.0

UU _____ 2.0



▶ UU _____ 2.0

UU _____ 2.0



▶ UU _____ 2.0

Dear Customer,

Thank you for choosing STIHL. We develop and manufacture our quality products to meet our customers' requirements. The products are designed for reliability even under extreme conditions.

STIHL also stands for premium service quality. Our specialist dealers guarantee competent advice and instruction as well as comprehensive service support.

We thank you for your confidence in us and hope you will enjoy working with your STIHL product.



Dr. Nikolas Stihl

**IMPORTANT: READ BEFORE USE AND
KEEP IN A SAFE PLACE.**

1. Table of contents

Notes on the instruction manual	12
General	12
Instructions for reading the instruction manual	12
Machine overview	12
For your safety	13
General	13
Refilling the tank – handling petrol	14
Clothing and equipment	14
Transporting the machine	14
Before operation	15
Working with your machine	15
Maintenance and repairs	17
Storage for prolonged periods without operation	18
Disposal	18
Description of symbols	18
Standard equipment	19
Preparing the machine for operation	19
General	19
Installing the mono handlebar (RM 448 PC, RM 448 TC, RM 448 VC)	19
Installing the dual handlebar (RM 443, RM 443 T, RM 448 PT, RM 448 T, RM 448 TX)	20
Assembling the grass catcher box	20
Attaching and detaching the recoil starter rope	20
Fuel and engine oil	20
Controls	21
Adjusting the mono handlebar (RM 448 PC, RM 448 TC, RM 448 VC)	21
Folding down the dual handlebar (RM 443, RM 443 T, RM 448 PT, RM 448 T, RM 448 TX)	21
Grass catcher box	21
Central cutting height adjustment	21
Level indicator	22
Safety devices	22
Safety devices	22
Motorstop lever	22
Notes on working with the machine	22
Working area for operator	22
Operating the machine	22
Starting the engine	22
Stopping the engine	23
Self-propulsion (RM 443 T, RM 448 PC, RM 448 PT, RM 448 T, RM 448 TX, RM 448 TC, RM 448 VC)	23
Emptying the grass catcher box	23
Maintenance	23
General	23
Engine	23
Cleaning the machine	23
Checking blade wear	24
Removing and installing the mowing blade	24
Sharpening the mowing blade	25
Storage and periods of inoperation (winter break)	25
Transport	25
Transport	25
Environmental protection	26
Minimising wear and preventing damage	26
Standard spare parts	27
EU - Declaration of conformity	27
Petrol lawn mowers (STIHL RM)	27

Technical specifications	28
REACH	30
Troubleshooting	30
Service schedule	31
Handover confirmation	31
Service confirmation	31

2. Notes on the instruction manual

2.1 General

This instruction manual constitutes **original manufacturer's instructions** in the sense of EC Directive 2006/42/EC.

STIHL is continually striving to further develop its range of products; we therefore reserve the right to make alterations to the form, technical specifications and equipment level of our standard equipment.

For this reason, the information and illustrations in this manual are subject to alterations.

This instruction manual may describe models that are not available in all countries.

This instruction manual is protected by copyright. All rights reserved, especially the right of reproduction, translation and processing using electronic systems.

2.2 Instructions for reading the instruction manual

Illustrations and texts describe specific operating steps.

All symbols which are affixed to the machine are explained in this instruction manual.

Viewing direction:

Viewing direction when "**left**" and "**right**" are used in the instruction manual: the user is standing behind the machine and is looking forwards in the direction of travel.

Section reference:

References to relevant sections and subsections for further descriptions are made using arrows. The following example shows a reference to a section: (⇒ 4.)

Designation of text passages:

The instructions described can be identified as in the following examples.

Operating steps which require intervention on the part of the user:

- Release bolt (1) using a screwdriver, operate lever (2)...

General lists:

- Use of the product for sporting or competitive events

Texts with added significance:

Text passages with added significance are identified using the symbols described below in order to especially emphasise them in the instruction manual:



Danger

Risk of accident and severe injury to persons. A certain type of behaviour is necessary or must be avoided.



Warning

Risk of injury to persons. A certain type of behaviour prevents possible or probable injuries.



Caution

Minor injuries or material damage can be prevented by a certain type of behaviour.



Note

Information for better use of the machine and in order to avoid possible operating errors.

Texts relating to illustrations:

Illustrations relating to use of the machine can be found in the front of this instruction manual.

The camera symbol serves to link the figures on the illustration pages with the corresponding text passages in the instruction manual.



3. Machine overview



- 1 Motorstop lever
- 2 Self-propulsion lever (RM 443 T, RM 448 PC, RM 448 PT, RM 448 T, RM 448 TX, RM 448 TC, RM 448 VC)
- 3 Vario drive lever (RM 448 VC)
- 4 Upper handlebar
- 5 Recoil starter rope
- 6 Quick-clamping device (RM 443, RM 443 T, RM 448 PT, RM 448 T, RM 448 TX)
- 7 Lower handlebar (RM 443, RM 443 T, RM 448 PT, RM 448 T, RM 448 TX)
- 8 Engine
- 9 Muffler with protective grille
- 10 Spark plug socket

- 11 Handle, front
- 12 Front wheel
- 13 Rear wheel
- 14 Grass catcher box
- 15 Handle, rear
- 16 Cutting height adjustment lever
- 17 Rating plate with machine number
- 18 Handlebar bracket (RM 448 PC, RM 448 TC, RM 448 VC)
- 19 Handlebar detent lever (RM 448 PC, RM 448 TC, RM 448 VC)

4. For your safety

4.1 General



These safety regulations must be observed when working with the machine.



Read the entire instruction manual before using the machine for the first time. Keep the instruction manual in a safe place for future reference.

Observe the operating and maintenance instructions contained in the separate engine instruction manual.

These safety precautions are essential for your safety, however the list is not exhaustive. Always use the machine in a reasonable and responsible manner and be aware that the user is responsible for accidents involving third parties or their property.

Make sure that you are familiar with the controls and use of the machine.

The machine must only be used by persons who have read the instruction manual and are familiar with operation of the machine. The user should seek expert and practical instruction prior to initial operation. The user must receive instruction on safe use of the machine from the vendor or another expert.

During this instruction, the user should be made aware that the utmost care and concentration are required for working with the machine.

Residual risks persist even if you operate this machine according to the instructions.



Risk of death from suffocation!

Packaging material is not a toy - danger of suffocation! Keep packaging material away from children.

Only give or lend the machine, including any accessories, to persons who are familiar with this model and how to operate it. The instruction manual forms part of the machine and must always be provided to persons borrowing it.

The machine must only be operated by persons who are well rested and in good physical and mental condition. If your health is impaired, you should consult your doctor to determine whether working with the machine is possible. The machine should not be operated after the consumption of alcohol, drugs or medications which impair reactions.

Children, persons with impaired physical, sensory or mental faculties or those lacking the appropriate experience, or persons who are not familiar with the instructions, must never be allowed to use the machine.

Never allow children under the age of 16 to use the machine. Local regulations may specify a minimum age for users.

The machine is intended for private use.

Caution – risk of accident!

The lawn mower is only intended for mowing lawns. Its use for other purposes is not permitted and may be dangerous or result in damage to the machine.

Due to the physical danger to the user, the lawn mower must not be used for the following applications (incomplete list):

- For trimming bushes, hedges and shrubs.
- For cutting creepers.
- For tending lawn roofs and balcony boxes.
- For shredding or chopping tree or hedge cuttings.
- For clearing paths (vacuuming, blowing).
- For levelling earth mounds, e.g. mole hills.
- For transporting clippings, except in the grass catcher box intended for this purpose.

For safety reasons, any modification to the machine, except the proper installation of accessories approved by STIHL, is forbidden and results in voiding of the warranty cover. Information regarding approved accessories can be obtained from your STIHL specialist dealer.

In particular, any tampering with the machine which increases the power output or speed of the engine or motor is forbidden.

It is not permitted to transport objects, animals or persons, particularly children, on the machine.

Particular care is required during use in public green spaces, parks, sports fields, along roads and in agricultural and forestry businesses.



Caution! Danger to health due to vibrations. Excessive exposure to vibrations can result in damage to the

cardiovascular or nervous system, particularly in persons with cardiovascular problems. Please consult a physician if you experience symptoms that may have been caused by vibrational loads. Symptoms of this kind principally affect the fingers, hands or wrists and include (incomplete list):

- numbness,
- pain,
- muscular weakness,
- skin discolouration,
- unpleasant tingling sensation.

Hold the handlebar tightly, but not tensed, with both hands in the designated locations during operation.

Plan your working times so that more severe physical strains over a longer period are avoided.

4.2 Refilling the tank – handling petrol



Danger to life!

Petrol is poisonous and extremely inflammable.

Petrol must only be stored in appropriate, tested containers (canisters). Always screw on the fuel tank and canister caps properly and tightly. Defective caps must be replaced for safety reasons.

Never use beverage bottles or similar for disposal or storage of fuels and lubricants. Persons, particularly children, could be tempted to drink out of them.



Keep petrol away from sparks, naked flames, pilot lights, heat sources, and other ignition sources. Do not smoke!

Refill the tank out-of-doors and do not smoke during refilling.

Before refilling the tank, stop the engine and allow it to cool.

Refilling with petrol must be performed before the engine is started. When the engine is running or is hot, the tank cap must not be removed and the tank must not be refilled with petrol.

Do not overfill the fuel tank!

To give the fuel room to expand, never fill the fuel tank past the lower edge of the filler neck. Observe the additional instructions in the engine instruction manual.



If petrol is spilled, the engine must only be started after the petrol-contaminated area has been cleaned. All attempts at starting must be avoided until the petrol fumes have dispersed (wipe dry).

Any spilt fuel must be wiped up immediately.

Clothing must be changed if it comes into contact with petrol.

Never store the machine with petrol in the tank inside a building. The resulting petrol fumes could come into contact with naked flames or sparks and could be ignited.

If it is necessary to drain the tank, this must be done out of doors.

4.3 Clothing and equipment



Always wear sturdy footwear with high-grip soles when working. Never work barefoot or, for example, in sandals.



Also always wear sturdy gloves and tie up and secure long hair (headscarf, cap, etc.) when performing maintenance and cleaning work or when transporting the machine.



Wear suitable safety glasses when sharpening the mowing blade.

Always wear long trousers and tight-fitting clothing when operating the machine.

Never wear loose clothes which may become caught on moving parts (control levers) – do not wear jewellery, ties or scarves.



Noise is produced when working. Noise can damage the hearing.

Wear hearing protection.

4.4 Transporting the machine

Always wear gloves in order to prevent injuries due to sharp-edged and hot components.

Do not transport the machine with the engine running. Switch off the engine, let the blades come to a standstill and remove the spark plug socket prior to transport.

Only transport the machine once the engine has cooled down and with an empty fuel tank.

Use suitable loading aids (loading ramps, lifters).

Secure the machine and any machine components being transported (e.g. grass catcher box) on the load floor using fastening material of adequate size (belts, ropes, etc.).

Avoid contact with the mowing blade when lifting and carrying the machine.

Observe the information in the section "Transport". It describes how to lift and lash the machine. (⇒ 13.)

When transporting the machine, always observe regional legislation, especially regarding load security and the transport of objects on load floors.

4.5 Before operation

Make sure that only persons who are familiar with the instruction manual are permitted to use the machine.

Check the fuel system (particularly visible parts such as e.g. tank, tank cap, hose connections) before operating the machine. In the event of any leaks or damage, do not start the engine – **fire hazard!**

Have the machine repaired by a specialist dealer prior to operation.

Observe the local regulations regarding permitted operating times for gardening power tools with combustion engines or electric motors.

Carefully inspect the complete area on which the machine is to be used and remove any stones, sticks, wires, bones and other foreign objects which could be thrown up by the machine. Obstacles (e.g. tree stumps, roots) can be easily overlooked in long grass.

For this reason, mark all foreign objects (obstacles) which are hidden in the lawn and cannot be removed before commencing work with the machine.

All faulty, worn or damaged parts must be replaced before using the machine. Replace any illegible or damaged danger signs and warnings on the machine. Your STIHL specialist has a supply of replacement stickers and all the other spare parts.

Check secure seating of the spark plug socket on the spark plug before using the machine.

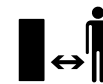
The machine must only be used in good operating condition. Before each use, check whether:

- The machine is properly assembled.
- The cutting tool and the entire cutting unit (mowing blade, fastening elements, mowing deck housing) are in good condition. In particular check for secure fastening, damage (notches or cracks) and wear. (⇒ 12.4)
- The tank cap is properly attached.
- The tank and fuel-carrying parts as well as the tank cap are in good condition.

- The safety devices (e.g. motorstop lever, discharge flap, housing, handlebar, protective grille) are in good condition and working properly.
- The grass catcher box is undamaged and correctly installed; a damaged grass catcher box must not be used.
- The oil closure screw is properly attached.

Carry out any necessary work or consult a specialist dealer. STIHL recommends STIHL specialist dealers.

4.6 Working with your machine



Never work when animals or persons, particularly children, are in the danger area.

The switch and safety devices installed in the machine must not be removed or bypassed. In particular, never secure the motorstop lever to the handlebar (e.g. by tying it).



Caution – risk of injury!

Never put hands or feet on or underneath rotating parts.
Never touch the rotating blade.

Always keep away from the discharge opening.

Always observe the safety distance provided by the handlebar. The handlebar must always be installed correctly and must not be modified. Never operate the machine with the handlebar folded down.

Never attach any objects to the handlebar (e.g. work clothing).


Only work during the day or with good artificial light.

Do not operate the machine in the rain or during thunder storms, particularly when there is a risk of lightning strike.

The risk of accidents is higher if the ground is damp due to increased danger of slipping.

Particular caution should be exercised during working in order to prevent slipping. If possible, avoid using the machine when the ground is damp.

Exhaust gases:

 **Danger to life through poisoning!** In the case of nausea, headache, impaired vision (e.g. decreasing field of view) hearing disorder, dizziness, decreasing power of concentration, stop working immediately. These symptoms may be caused by excessively high exhaust gas concentrations.



The machine generates poisonous exhaust gases when the engine is running. The gases contain poisonous carbon monoxide, a colourless and odourless gas, as well as other pollutants. The engine must never be operated in closed or poorly ventilated spaces.

Starting:

Exercise care when starting the machine and observe the instructions contained in the section entitled "Operating the machine" (⇒ 11.). Starting the machine in accordance with these instructions reduces the risk of injury.

Risk of injury!

If the starter rope recoils at speed, the hand and arm will be pulled towards the engine faster than the starter rope can be released. This kickback can result in broken bones, crush injuries and sprains.

Keep your feet a safe distance from the cutting tool when starting the machine.

The machine must not be tilted during start-up.

The self-propulsion lever must not be pressed when starting the engine.

Do not start the engine if the discharge chute is not covered by the discharge flap or the grass catcher box.

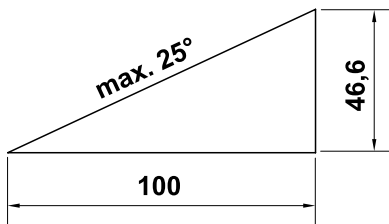
Working on slopes:

Always work across and back on slopes, never up and down. If the user loses control when mowing up and down, there is a risk of being run over by the machine.

Be particularly careful when changing direction on a slope.

Always ensure good stability on slopes and avoid mowing on excessively steep slopes.

For safety reasons, the machine must not be used on slopes with an inclination of more than 25° (46.6%). **Risk of injury!** A slope inclination of 25° corresponds to a vertical height increase of 46.6 cm for a 100 cm horizontal distance.



In order to ensure an adequate oil supply for the engine, the information in the accompanying engine instruction manual must be additionally observed when using the machine on slopes.

Working:



Risk of injury!

Never place your hands or feet above, underneath or on rotating parts.



Do not attempt to examine the blade while the lawn mower is operating. Never open the discharge flap and/or remove the grass catcher box when the mowing blade is running. Rotating blades can cause injury.

Only operate the machine at walking speed – never run when working with the machine. Working quickly with the machine increases the risk of injury due to stumbling, slipping, etc.

Be particularly careful when turning the machine around or pulling it towards you.

Risk of stumbling!

Use the machine with great care when working near slopes, terraces, ditches and embankments. In particular, ensure that you maintain sufficient distance to such danger areas.

Objects hidden in the turf (lawn sprinkler systems, posts, water valves, foundations, electrical wires, etc.) must be avoided. Never run over any such foreign objects.



STOP

Beware of the cutting tool running on for several seconds before coming to a standstill.

Switch off the engine, allow the work tool to come to a complete standstill and detach the spark plug socket

- before leaving the machine unattended,
- before re-filling the tank. Allow the engine to cool down before filling the tank.

Fire hazard!

- before remedying blockages, including those in the discharge chute,
- before lifting or carrying the machine,
- before transporting the machine,
- before carrying out any work on the mowing blade,
- before checking or cleaning the machine or before carrying out any other work (e.g. folding down the handlebar) on it,
- after hitting a foreign object or if the lawn mower begins to vibrate excessively. In these cases check the machine, in particular the cutting unit (blade, blade shaft, blade fastening), for damage and carry out the necessary repairs before restarting and working with the machine.



Risk of injury!

Strong vibration is normally an indication of a fault. In particular, the lawn mower must not be operated with a damaged or bent crankshaft or mowing blade. If you do not have the appropriate expertise, have the necessary repairs carried out by a specialist dealer (STIHL recommends STIHL specialist dealers).

Switch off the engine

- When pushing the machine to and from the area to be worked.
- Before pushing the machine onto an area not covered with grass.
- Before opening the discharge flap or removing the grass catcher box.
- When the machine has to be tilted for transportation.
- Before adjusting the cutting height.

4.7 Maintenance and repairs

Before beginning cleaning, adjustment, repair and maintenance operations:

- Park the machine on firm and level ground
- Stop the engine and allow it to cool down
- Detach the spark plug socket.



Caution – risk of injury!

Keep the spark plug socket away from the spark plug; an inadvertent ignition spark can result in fires or electric shocks.

Inadvertent contact between the spark plug and the spark plug socket can result in unwanted starting of the engine.



Risk of injury due to the mowing blade!

Pulling the recoil starter rope starts the work tool rotating. Always ensure sufficient distance between the mowing blade and your body, particularly your hands and feet, when you pull the recoil starter rope.

Allow the machine to cool down before working on or around the engine, exhaust manifold or muffler in particular. Temperatures of 80° C and above can be reached. **Danger of burns!**

Direct contact with engine oil can be dangerous. Engine oil must not be spilled. STIHL recommends leaving the task of topping up engine oil or performing engine oil changes to a STIHL specialist dealer.

Cleaning:

The complete machine must be cleaned thoroughly following use. (⇒ 12.3)

Empty the fuel tank (e.g. by running it empty) before placing the machine in the cleaning position.

Remove accumulated clipping deposits using a stick. Clean the underside of the mower with water and a brush.

Never use high-pressure cleaners and do not clean the machine under running water (e.g. using a garden hose).

Do not use aggressive cleaning agents. These can damage plastics and metals, impairing the safe operation of your STIHL machine.

In order to prevent fire hazards, keep the area around the air vents, cooling ribs and the area of the exhaust free from e.g. grass, straw, moss, leaves or escaping grease.

Maintenance operations:

Only maintenance operations described in this instruction manual may be carried out. Have all other work performed by a specialist dealer.

If you do not have the necessary expertise or auxiliary equipment, please **always** contact a specialist dealer.

STIHL recommends that you have maintenance operations and repairs performed exclusively by a STIHL specialist dealer.

STIHL specialist dealers regularly attend training courses and are provided with technical information.

Only use tools, accessories or attachments approved for this machine by STIHL or technically identical parts.

Otherwise, there may be a risk of accidents resulting in personal injury or damage to the machine. If you have any questions, please consult a specialist dealer.

The characteristics of original STIHL tools, accessories and spare parts are optimally adapted to the machine and the user's requirements. Genuine STIHL spare parts can be recognised by the STIHL spare parts number, by the STIHL lettering and, if present, by the STIHL spare parts symbol. On smaller parts, only the symbol may be present.

For safety reasons, fuel-carrying components (fuel line, fuel cock, fuel tank, tank cap, connections, etc.) must be checked regularly for damage and leaks and replaced by a technician if necessary (STIHL recommends STIHL specialist dealers).

Always keep warning and information stickers clean and readable. Damaged or missing stickers must be replaced by new, original plates from your STIHL specialist dealer. If a component is replaced with a new component, ensure that the new component is provided with the same stickers.

Only perform work on the cutting unit when wearing thick work gloves and exercising extreme care.

Ensure that all nuts, pins and screws (in particular the blade fastening screw) are securely tightened so that the machine is in a safe operating condition.

Check the complete machine and the grass catcher box for wear or damage on a regular basis, particularly before extended periods when the machine is not in use (e.g. over winter). For safety reasons, worn or damaged parts must be replaced immediately to ensure that the machine is always in a safe operating condition.

Never alter the basic setting of the engine or run at excessive engine speeds.

Components or guards that are removed for maintenance operations must be properly reinstalled immediately.

4.8 Storage for prolonged periods without operation

Allow the engine to cool before storing the machine in an enclosed space.

Store the machine with empty fuel tank and the fuel reserve in a lockable and well-ventilated room.

Ensure that the machine is protected from unauthorised use (e.g. by children).

Never store the machine with petrol in the tank inside a building. The resulting petrol fumes could come into contact with naked flames or sparks and could be ignited.

If the tank has to be emptied (e.g. to store the machine before the winter break), this should only be done out of doors (e.g. by running the tank empty).

Thoroughly clean the machine before storage (e.g. winter break).

Only store the machine with the spark plug socket disconnected.

Store the machine in good operational condition.

Allow the machine to cool down completely before covering it.

4.9 Disposal

Waste products such as used engine oil or fuel, used lubricants, filters, batteries and similar wearing parts can be harmful to people, animals and the environment, and must consequently be disposed of properly.

Consult your recycling centre or your specialist dealer for information on the proper disposal of waste products. STIHL recommends STIHL specialist dealers.

Ensure that old machines are properly disposed of. Render the machine unusable prior to disposal. In order to prevent accidents, remove the ignition lead, empty the fuel tank and drain the engine oil in particular.

Risk of injury due to the mowing blade!

Always store an old lawn mower in a safe place prior to scrapping. Ensure that the machine and particularly the mowing blade are kept out of the reach of children.

5. Description of symbols



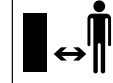
Caution!

Read the instruction manual before initial use.



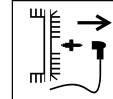
Risk of injury!

Keep other persons out of the danger area.



Risk of injury!

Detach the spark plug socket before performing work on the cutting tool or maintenance and cleaning work.





Risk of injury!

Keep your hands and feet away from the blades.

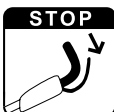


Cutting tool runs on for several seconds after switching off (engine/blade brake).



RM 443, RM 443 T, RM 448 PT, RM 448 T, RM 448 TX:

Starting the engine



RM 443, RM 443 T, RM 448 PT, RM 448 T, RM 448 TX:

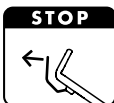
Stopping the engine



RM 443 T, RM 448 PT, RM 448 T, RM 448 TX:
Switching on self-propulsion



RM 448 PC, RM 448 TC, RM 448 VC:
Starting the engine



RM 448 PC, RM 448 TC, RM 448 VC:
Stopping the engine



RM 448 PC, RM 448 TC, RM 448 VC:
Switching on self-propulsion



RM 448 VC:

Set the driving speed.
(⇒ 11.3)



6. Standard equipment



Item	Designation	Qty.
A	Basic unit	1
B	Upper part of grass catcher box	1
C	Lower part of grass catcher box	1
D	Pin	2
-	Instruction manual	1
-	Instruction manual for engine	1

RM 443, RM 443 T, RM 448 PT, RM 448 T, RM 448 TX:

Item	Designation	Qty.
E	Quick-clamping device	2
F	Bolt	2
G	Cable guide	2
H	Protective sleeve	2

RM 448 PC, RM 448 TC, RM 448 VC:

Item	Designation	Qty.
I	Sleeve	1
J	Bolt	1
K	Washer	2
L	Nut	1

7. Preparing the machine for operation

7.1 General



Risk of injury!

Observe the safety instructions in the section "For your safety" (⇒ 4.).

- Place the machine on level and firm ground when performing all the operations described.

7.2 Installing the mono handlebar (RM 448 PC, RM 448 TC, RM 448 VC)



- Insert sleeve (I) in the bore on handlebar (1).
- Fit the two washers (K) with the convex side facing inwards onto the sleeve in handlebar (1).
- Hold sleeve (I) and washers (K) and insert together with handlebar (1) into the holder on handlebar bracket (2).
- Insert bolt (J) from the outside inwards through the bores in handlebar (1) and in handlebar bracket (2).
- Screw on nut (L).
- Tighten bolt (J). Tightening torque: 18 - 22 Nm

Installing the cables:

- RM 448 PC, RM 448 TC:
Route motorstop cable (3) and self-propulsion cable (4) into cable guides (6) of the handlebar bracket and handlebar.
RM 448 VC:
Route motorstop cable (3), self-propulsion cable (4) and Vario drive cable (5) into cable guides (6) of the handlebar bracket and handlebar.

7.3 Installing the dual handlebar (RM 443, RM 443 T, RM 448 PT, RM 448 T, RM 448 TX)



- Fit protective sleeves (H) onto the two lower handlebars (1).
- Insert bolt (F) through the bore in cable guide (G).
- Fit upper handlebar (2) onto lower handlebar sections (1).
- Left-hand side:
Attach cable guide (G) to motorstop cable (3).
- Right-hand side (RM 443 T, RM 448 PT, RM 448 T, RM 448 TX):
Attach cable guide (G) to self-propulsion cable (4).
- Insert bolt (F) from the outside inwards through the bores on both sides.
- Screw quick clamping devices (E) onto bolts (F) (the screw should project by about one screw thread turn) and fold upwards.

- Check correct assembly:
Quick-clamping devices (E) must be sufficiently tightened so that they are pressed tightly against the handlebar and the upper handlebar is firmly connected to the lower handlebar.
If the handlebar is not firmly installed or the quick-clamping devices are not correctly located, open the quick-clamping devices and turn them until they are securely fastened.

7.4 Assembling the grass catcher box



- Fit the upper part of the grass catcher box (B) onto the lower part of the grass catcher box (C). Ensure correct location in the guides.
- Push pin (D) through the bores provided from inside.
- Allow the upper part of the grass catcher box (B) to engage in the lower part of the grass catcher box using slight pressure.
- Attach the grass catcher box (⇒ 8.3).

7.5 Attaching and detaching the recoil starter rope



Attaching

- Detach the spark plug socket from the engine.
- Press motorstop lever (1) to the handlebar and hold.
- Slowly pull out recoil starter rope (2).
- Release motorstop lever (1) and attach recoil starter rope (2) to rope guide (3).
- Connect the spark plug socket.

Detaching

- Detach the spark plug socket from the engine.
- Detach recoil starter rope (2) from rope guide (3).

7.6 Fuel and engine oil



Avoid damage to the machine

Top up engine oil before starting for the first time. Use a suitable filling aid when topping up the engine oil and when refuelling (e.g. funnel).

Engine oil:

Please consult the engine instruction manual for the type of engine oil to be used and the oil capacity. Check the oil filling level at regular intervals (see engine instruction manual). Avoid exceeding or falling below the correct oil level. Screw on the oil tank cap properly before operating the engine.



Fuel:

Recommendation:
Fresh good quality fuels,
unleaded petrol.
Please consult the engine instruction manual for details on the fuel quality (octane rating).



8. Controls

8.1 Adjusting the mono handlebar (RM 448 PC, RM 448 TC, RM 448 VC)



Danger of pinching!

When actuating the detent lever, always hold the upper handlebar with one hand at its highest point. Never place your fingers between the handlebar and bracket (above and below the detent lever).

Folding down handlebar:

Transport position (for cleaning, for space-saving transport and for storage of the machine):

- Detach the recoil starter rope from the rope guide. (⇒ 7.5)
- Hold the upper handlebar (2) with one hand at its highest point and lift (relieve load) slightly.
- Press the detent lever (1) downwards and hold.
- Fold down handlebar (2) forwards.

Working position (to push machine):

- Fold the handlebar (2) up rearwards and ensure that the handlebar is fully engaged.
- Attach the recoil starter rope at the rope guide. (⇒ 7.5)

Height adjustment:

The height of the mono handlebar can be adjusted to 2 levels:

- Hold the upper handlebar (2) with one hand at its highest point and lift (relieve load) slightly.
- Press the detent lever (1) downwards and hold.
- Move the handlebar (2) into the required position.
- Release the detent lever (1) and ensure that the handlebar is again fully engaged.

8.2 Folding down the dual handlebar (RM 443, RM 443 T, RM 448 PT, RM 448 T, RM 448 TX)



Danger of pinching!

The upper handlebar can be folded down by releasing the quick-release caps. For this reason, always hold the upper handlebar (2) with one hand at its highest point when you open the quick-release caps.

Transport position (for cleaning, for space-saving transport and for storage of the machine):

- Detach the recoil starter rope from the rope guide. (⇒ 7.5)
- Open the quick-clamping devices (1) – fold downwards – and fold down upper handlebar (2) forwards.

Working position (to push machine):

- Fold up the upper handlebar (2) rearwards and hold with one hand.
- Close quick-clamping devices (1) (fold upwards).

- Attach the recoil starter rope at the rope guide. (⇒ 7.5)

8.3 Grass catcher box



Attaching:

- Open the discharge flap (1) and hold it open.
- Attach the grass catcher box (2) to the mountings (3) on the rear of machine by means of the locating lugs.
- Close the discharge flap (1).

Detaching:

- Open the discharge flap (1) and hold it open.
- Lift the grass catcher box (2) and remove it rearwards.
- Close the discharge flap (1).

8.4 Central cutting height adjustment



Six different cutting heights can be set.

Level 1 = 25 mm

Level 6 = 75 mm

Setting the cutting height:

- Hold the handle (1), pull the lever (2) upwards and hold.
- Set the required cutting height by moving the machine upwards and downwards. The current cutting height can be read off at the cutting height indicator (3) by means of the marking (4).

- Release the detent lever (2) and allow it to engage.

8.5 Level indicator



The upper part of the grass catcher box features a level indicator (1).

The flow of air that is created by the rotary movement of the mowing blade and is responsible for filling the grass catcher box raises the level indicator (2):

The grass catcher box is filled with clippings.

When the grass catcher box is full, this flow of air is reduced and the level indicator drops (3):

- Empty filled grass catcher box (⇒ 11.4).

9. Safety devices

The machine is equipped with several safety devices for safe operation and for the prevention of improper use.



Risk of injury!

If a safety device is found to be defective, the machine must not be operated. Consult a specialist dealer; STIHL recommends STIHL specialist dealers.

9.1 Safety devices

The lawn mower is equipped with safety devices, which prevent inadvertent contact with the mowing blade and with ejected clippings.

These include the housing, discharge flap, grass catcher box and correctly installed handlebar.

9.2 Motorstop lever

The lawn mower is equipped with a motorstop device.

The engine stops when the motorstop lever is released during running operation. The engine and blade come to a standstill within 3 seconds.



Risk of injury!

If the run-on time of the blade exceeds this delay, stop using the machine and take it to your specialist dealer.

Measuring the run-on time

Following engine start-up, the blade rotates and a wind noise is audible. The run-on time corresponds to the duration of the wind noise after the engine stops. This can be measured using a stopwatch.

10. Notes on working with the machine

A perfect, thick lawn is achieved by

- Mowing at low driving speeds.
- Mowing regularly and keeping the grass short.
- Not cutting the lawn too short in hot, dry conditions as it will be burnt by the sun and become unsightly.
- Using a sharp mowing blade – mowing blade should therefore be sharpened regularly (specialist dealer).
- Changing the cutting direction regularly.

10.1 Working area for operator



- For safety reasons, the operator must stay within the working area behind the handlebar when starting the engine and when the engine is running. Always observe the safety distance provided by the handlebar.
- The lawn mower must only be operated by one person. Other persons must keep out of the danger area. (⇒ 4.)

11. Operating the machine

11.1 Starting the engine



Do not start the engine in tall grass. Select a higher cutting height setting if the engine is difficult to start.

Thanks to the fixed throttle setting, the engine always operates at the optimum working speed after starting.

- Press motorstop lever (1) to the handlebar and hold.
- Slowly pull out recoil starter rope (2) to the point of compression resistance. Then pull vigorously and quickly to arm's length. Slowly return recoil starter rope (2) again so that it is rolled up again.
- Repeat the procedure until the engine starts.

11.2 Stopping the engine

- To stop the engine, release motorstop lever (1).
Engine and mowing blade come to a stop after a short run-down time.



11.3 Self-propulsion (RM 443 T, RM 448 PC, RM 448 PT, RM 448 T, RM 448 TX, RM 448 TC, RM 448 VC)



The lawn mowers RM 443 T, RM 448 PC, RM 448 PT, RM 448 T, RM 448 TX, RM 448 TC and RM 448 VC are equipped with self-propulsion.

RM 443 T, RM 448 PC, RM 448 PT, RM 448 T, RM 448 TX, RM 448 TC:
One forward drive speed (single-speed gearbox)

RM 448 VC:

Continuously variable forward drive speed when driving (Vario gearbox)

Switching on self-propulsion:

- Start the engine. (⇒ 11.1)
- Pull self-propulsion lever (1) to the handlebar and hold.
Self-propulsion is switched on and the lawn mower moves forwards.



Avoid damage to the machine!

Always actuate the self-propulsion lever fully (to the stop) in order to prevent resultant damage to the gearbox.

Setting the drive speed (RM 448 VC):



Avoid damage to the machine!

Only actuate Vario drive lever (2) when the engine is running.

- Increasing the driving speed:
Push Vario drive lever (2) forwards when driving.
- Reducing the driving speed:
Pull Vario drive lever (2) rearwards when driving.



Switching off self-propulsion:

- Release self-propulsion lever (1). Self-propulsion is switched off and the lawn mower comes to a standstill. The engine continues to run.

11.4 Emptying the grass catcher box



Risk of injury!

For safety reasons, the engine must be stopped before removing the grass catcher box.

- Detach the grass catcher box. (⇒ 8.3)
- Open the grass catcher box at the tab (1). Fold up the upper part of the grass catcher box (2) and hold. Fold the grass catcher box rearwards and empty the clippings.
- Close the grass catcher box.
- Attach the grass catcher box. (⇒ 8.3)

12. Maintenance

12.1 General



Risk of injury!

Observe the safety instructions in the section "For your safety" (⇒ 4.).

Annual service by the specialist dealer:

The lawn mower should be inspected once annually by a specialist dealer. STIHL recommends STIHL specialist dealers.

12.2 Engine

Maintenance interval:

See engine instruction manual.

General information:

Observe the operating and maintenance instructions contained in the attached engine instruction manual.

To achieve a long service life, it is always particularly important to maintain a sufficient level of oil and to change the oil and air filter regularly.

The recommended oil change intervals as well as information on engine oil and oil capacities can also be found in the engine instruction manual.

The cooling ribs must always be kept clean to ensure that the engine is adequately cooled.

12.3 Cleaning the machine

Maintenance interval: After each use



Care of the machine will protect it against damage and extend its service life.



Risk of injury!

Stop the engine, detach the spark plug socket and allow the machine to cool down.

Empty the fuel tank (run empty) before placing the machine in the cleaning position.

The machine is only safely in the cleaning position when the discharge flap is open.

- Select the highest cutting level. (⇒ 8.4)
- Detach the grass catcher box. (⇒ 8.3)

Cleaning position RM 443, RM 443 T, RM 448 PT, RM 448 T, RM 448 TX:

- Hold upper handlebar (1) and open the quick-clamping devices – fold downwards.
- Set down upper handlebar (1) rearwards.
- Open discharge flap (2) and hold it open.
- Lift up the machine at the front and place in the cleaning position as shown.

Cleaning position RM 448 PC, RM 448 TC, RM 448 VC:

- Stand to the right of the machine to tilt it upwards.
- Set the upper handlebar to the lowest position (as far as the stop, the detent lever does not engage in this position). (⇒ 8.2)
- Open discharge flap (2) with the right hand and hold it open.
- Hold the bracket with the left hand as shown and hold the discharge flap open. Press detent lever (3) with the thumb at the same time and hold.

- Hold the machine with the right hand at the front handle and tilt it slowly rearwards until the handlebar is in contact with the ground as shown.
- Release discharge flap (2) and detent lever (3) and check that the machine is standing securely.

Notes on cleaning:

- Clean off dirt using little water, with a brush or with a cloth. In particular, also clean the mowing blade. Never spray water onto engine components, seals or bearing points.
- First, remove accumulated clipping deposits using a stick.
- If necessary, use a special cleaner (e.g. STIHL special cleaner).

12.4 Checking blade wear

Maintenance interval: Before each use



Risk of injury!

Blades are subjected to differing degrees of wear depending on the location and duration of use. If you use the machine on sandy ground or use it frequently under dry conditions, the blade will be subjected to greater loads and will wear more quickly than the average. A worn blade may break off and cause serious injuries. The instructions for blade maintenance must therefore always be observed.

- Tilt the mower upwards into the cleaning position. (⇒ 12.3)
- Clean the mowing blade (1).

- Place a ruler (1) against the front blade edge and measure permissible grinding **A**.
- Measure blade width **B** using a slide calliper (2).
- Check blade thickness **C** at 5 points at least using a slide calliper (2). In particular, minimum thickness must also be ensured in the area of the blade wings.

Wear limits:

Permissible grinding **A**: < 15 mm

Blade width **B**: > 39 mm

Blade thickness **C**: > 2 mm

The blade must be replaced,

- if it is damaged (notches, cracks),
- if the measured values are achieved at one or more points or are outside the permissible limits.

If the multi-blade available as a special accessory is installed on the lawn mower, different wear limits apply (see instruction manual for accessory).

12.5 Removing and installing the mowing blade



Removing:

- Use a suitable wooden block (1) to counterhold mowing blade (2).
- Unscrew the blade fastening screw (3). Remove the mowing blade (2), blade fastening screw (3) and retaining washer (4).

Installation:



Risk of injury!

The mowing blade (2) must only be installed as shown. The tabs (7) must face downwards and the curved wings must point upwards.

Observe the specified torque when tightening the blade fastening screw, as the secure attachment of the cutting tool depends on this. Additionally secure the blade fastening screw (3) with **Loctite 243**.

Replace the spring washer (4) each time the blade is installed and the blade fastening screw (3) each time the blade is replaced.

- Clean the blade contact surface and blade bushing.
- Install the mowing blade (2) with the curved wings pointing upwards (towards the machine). The locating lugs (5) on the blade bushing must be located in the bores (6) of the mowing blade.
- Use a suitable wooden block (1) to counterhold mowing blade (2).
- Install the blade fastening screw (3) with a new retaining washer (4) and tighten.
Tightening torque: **60 - 65 Nm**

12.6 Sharpening the mowing blade

STIHL recommends having the mowing blade sharpened by a technician. Operation of the machine is impaired in the case of an incorrectly sharpened blade (incorrect sharpening angle, imbalance, etc.).

Sharpening instructions:

- Remove the mowing blade. (⇒ 12.5).
- Cool the mowing blade when sharpening, e.g. with water. The blade must not be allowed to display blue colouring, as this would reduce its cutting quality.
- Sharpen the blade evenly to prevent vibrations due to imbalance.
- Observe the sharpening angle of 30°.
- After sharpening, remove any sharpening burr at the cutting edge using fine sandpaper if necessary.
- Observe the wear limits. (⇒ 12.4)

12.7 Storage and periods of inoperation (winter break)

Store the machine in a dry, locked, dust-free place. Make sure that it is out of the reach of children.

Any faults must be remedied prior to storage. The machine must always be in a safe operating condition.

Empty the fuel tank and carburettor prior to storage (e.g. by running empty).

Also note the following points when storing the machine for long periods (winter break):

- Clean all external parts of the machine with care.
- Thoroughly lubricate/grease all moving parts.

- Unscrew the spark plug (see engine instruction manual) and pour approx. 3 cm³ of engine oil into the engine via the spark plug hole. Turn the engine several times with the spark plug removed (pull the recoil starter rope).



Fire hazard!

Keep the spark plug socket away from the spark plug hole due to the danger of ignition.

- Screw the spark plug back in (see engine instruction manual).
- Perform an oil change (see engine instruction manual).
- Cover the engine and store the machine in the normal position.

13. Transport

13.1 Transport



Risk of injury!

Observe the section "For your safety" before transporting. (⇒ 4.)

Always wear suitable safety clothing when transporting (safety shoes, thick gloves).

Always detach the spark plug socket before lifting or transporting. For safety reasons, STIHL recommends lifting or carrying the machine only with the aid of a second person.

Before lifting, note the weight indicated in the section "Technical specifications".

Carrying the machine

- Two persons:
Only hold the machine at the front handle (1) and at the handlebar (3). Always ensure sufficient distance between the mowing blade and your body, particularly your feet and legs.
- One person:
Lift and carry the machine using both hands, with one hand at the centre of the rear handle (2) and the other hand at the front handle (1).

Securing the machine

- Secure the machine on the load floor using suitable fastening materials.
- Attach ropes or straps at the points marked (4).

14. Environmental protection



Lawn clippings should be composted and not disposed of in household waste.

The machine, its packaging and accessories are all produced from recyclable materials and must be disposed of accordingly.

By disposing of materials separately, and in an environmentally friendly manner, valuable resources can be re-used. For this reason, the machine should be disposed of for recycling at the end of its useful life. Pay particular attention to the information in the "Disposal" section during disposal (⇒ 4.9).

Consult your recycling centre or your specialist dealer for information on the proper disposal of waste products.

15. Minimising wear and preventing damage

Important information on maintenance and care of the product group

petrol lawn mowers (STIHL RM)

STIHL assumes no liability for material or personal damage caused by the non-observance of information contained in the operating instructions, in particular with regard to safety, operation and maintenance, or which arise through the use of unauthorised attachment or spare parts.

Please always observe the following important information for the prevention of damage or excessive wear to your STIHL machine:

1. Wearing parts

Some parts of the STIHL machine are subject to normal wear even when used properly and must be replaced in due time depending on type and duration of use.

These include:

- Mowing blades
- Grass catcher box
- V-belt (RM 443 T, RM 448 PC, RM 448 PT, RM 448 T, RM 448 TC, RM 448 TX, RM 448 VC)

2. Compliance with the information in this instruction manual

The STIHL machine must be used, maintained and stored with the care described in this instruction manual. Any damage caused by non-compliance with the safety, operating and maintenance instructions is the sole responsibility of the user.

This applies in particular to:

- Product modifications not approved by STIHL.
- Use of fuel and lubricants not approved by STIHL (lubricants, petrol and engine oil, see engine manufacturer's specifications).
- The use of tools or accessories which are not approved or suitable for the machine, or are of inferior quality.
- Improper use of the product.
- Use of the product for sporting or competitive events.
- Resultant damage due to continued use of the product with defective components.

3. Maintenance operations

All operations listed in the section "Maintenance" must be performed regularly.

If these maintenance operations cannot be carried out by the user, a specialist dealer must be commissioned to perform them.

STIHL recommends that you have maintenance operations and repairs performed exclusively by a STIHL specialist dealer.

STIHL specialist dealers regularly attend training courses and are provided with technical information.

If these operations are neglected, faults may arise which are the responsibility of the user.

These include:

- Corrosive and other resultant damage caused by incorrect storage.
- Damage to the machine through the use of inferior-quality spare parts.

- Damage due to untimely or inadequate maintenance or damage due to maintenance or repair work not performed in the workshops of specialist dealers.

16. Standard spare parts

Mowing blade RM 443, RM 443 T:

6338 702 0100

Mowing blade RM 448 PC, RM 448 PT, RM 448 T, RM 448 TC, RM 448 TX, RM 448 VC:

6358 702 0100

Blade fastening screw:

9008 319 9028

Retaining washer:

0000 702 6600



The fastening elements for the mowing blade (e.g. blade fastening screw) must be replaced when replacing the blade, i.e. when installing the blade. Spare parts are available from a STIHL specialist dealer.

17. EU - Declaration of conformity

17.1 Petrol lawn mowers (STIHL RM)

STIHL Tirol GmbH
Hans Peter Stihl-Strasse 5
6336 Langkampfen
Austria

declares under our sole responsibility that the machine

manually operated lawn mower with engine (STIHL RM)

manufacturer's brand:	STIHL
serial number:	6338
type:	RM 443.0 RM 443.0 T
serial number:	6358
type:	RM 448.0 PC RM 448.0 PT RM 448.0 T RM 448.0 TC RM 448.0 TX RM 448.0 VC

conforms to the following EC directives: 2011/65/EU, 2000/14/EC, 2014/30/EU, 2006/42/EC

The product has been developed in conformity with the following standards: EN ISO 5395-1, EN ISO 5395-2, EN 14982

The versions of the standards valid on the production date apply to development and production of the products.

Applicable conformity assessment procedure: Appendix VIII (2000/14/EC)

Name and address of relevant, named location:

TÜV Rheinland LGA Products GmbH
Tillystraße 2
D-90431 Nürnberg

Compilation and storage of technical documentation:
Sven Zimmermann
STIHL Tirol GmbH

The year of manufacture and machine number appear on the rating plate of the machine.

Measured sound power level:

RM 443.0	93,0 dB(A)
RM 443.0 T	93,0 dB(A)
RM 448.0 PC	95,3 dB(A)
RM 448.0 PT	95,3 dB(A)
RM 448.0 T	95,7 dB(A)
RM 448.0 TC	95,7 dB(A)
RM 448.0 TX	95,3 dB(A)
RM 448.0 VC	95,3 dB(A)

Guaranteed sound power level:

RM 443.0	94 dB(A)
RM 443.0 T	94 dB(A)
RM 448.0 PC	96 dB(A)
RM 448.0 PT	96 dB(A)
RM 448.0 T	96 dB(A)
RM 448.0 TC	96 dB(A)
RM 448.0 TX	96 dB(A)
RM 448.0 VC	96 dB(A)

Langkampfen,
2019-01-02 (YYYY-MM-DD)

STIHL Tirol GmbH

p.p.

Sven Zimmermann

Head of Design

18. Technical specifications

RM 443.0, RM 443.0 T, RM 448.0 PC, RM 448.0 PT, RM 448.0 T, RM 448.0 TC, RM 448.0 TX, RM 448.0 VC:

Engine, design	4-stroke combustion engine
Starter	Rope start
Cutting tool	Cutter bar
Cutter bar drive	Permanent
Tightening torque for blade fastening screw	60 - 65 Nm
Safety device	Motorstop
Wheel diameter (front)	180 mm
Wheel diameter (rear)	200 mm
Grass catcher box capacity	55 l
Cutting height	25 - 75 mm

RM 443.0, RM 443.0 T:

Serial number	6338
Cutting width:	41 cm

RM 443.0:

Engine: Manufacturer, type	Briggs & Stratton, Series 550 EX OHV RS
Displacement	140 ccm
Nominal output at nominal speed	2,1 - 2800 kW - rpm
Fuel tank	0,8 l
Cutter bar speed	2800 rpm
Self-propulsion	No
Length	144 cm

Width	49 cm
Height	109 cm
Weight	23 kg

Sound emissions

In accordance with Directive 2000/14/EC:

Guaranteed sound power level L_{WAd}	94 dB(A)
--	----------

In accordance with Directive 2006/42/EC:

Sound pressure level at workplace L_{pA}	81 dB(A)
Uncertainty K_{pA}	2 dB(A)

Hand-arm vibrations

Specified vibration characteristic in accordance with EN 12096:

Measured value a_{hw}	4,10 m/sec ²
Uncertainty K_{hw}	2,05 m/sec ²

Measurement in accordance with EN 20643

RM 443.0 T:

Engine: Manufacturer, type	Briggs & Stratton, Series 550 EX OHV RS
Displacement	140 ccm
Nominal output at nominal speed	2,1 - 2800 kW - rpm
Fuel tank	0,8 l
Cutter bar speed	2800 rpm
Self-propulsion	1 forward gear with soft starter
Length	144 cm
Width	48 cm
Height	109 cm
Weight	25 kg

Sound emissions

In accordance with Directive 2000/14/EC:

Guaranteed sound power level L_{WAd}	94 dB(A)
--	----------

In accordance with Directive 2006/42/EC:

Sound pressure level at workplace L_{pA}	81 dB(A)
Uncertainty K_{pA}	2 dB(A)

Hand-arm vibrations

Specified vibration characteristic in accordance with EN 12096:

Measured value a_{hw}	4,10 m/sec ²
Uncertainty K_{hw}	2,05 m/sec ²

Measurement in accordance with EN 20643

RM 448.0 PC, RM 448.0 PT, RM 448.0 T, RM 448.0 TC, RM 448.0 TX, RM 448.0 VC:

Serial number	6358
Cutting width	46 cm

RM 448.0 PC:

Engine: Manufacturer, type	Briggs & Stratton, Series 625
Displacement	150 ccm
Nominal output at nominal speed	2,2 - 2800 kW - rpm
Fuel tank	0,8 l
Cutter bar speed	2800 rpm
Self-propulsion	1 forward gear with soft starter
Length	147 cm
Width	50 cm
Height	113 cm
Weight	27 kg

Sound emissions

In accordance with Directive 2000/14/EC:

Guaranteed sound power level L_{WAd}	96 dB(A)
--	----------

In accordance with Directive 2006/42/EC:

Sound pressure level at workplace L_{pA}	83 dB(A)
--	----------

Uncertainty K_{pA} 2 dB(A)

Hand-arm vibrations

Specified vibration characteristic in accordance with EN 12096:

Measured value a_{hw} 3,00 m/sec²

Uncertainty K_{hw} 1,50 m/sec²

Measurement in accordance with EN 20643

RM 448.0 PT:

Engine: Manufacturer, type Briggs & Stratton, Series 625

Displacement 150 ccm

Nominal output at nominal speed 2,2 - 2800 kW - rpm

Fuel tank 0,8 l

Cutter bar speed 2800 rpm

Self-propulsion 1 forward gear with soft starter

Length 147 cm

Width 50 cm

Height 111 cm

Weight 27 kg

Sound emissions

In accordance with Directive 2000/14/EC:

Guaranteed sound power level L_{WAAd} 96 dB(A)

In accordance with Directive 2006/42/EC:

Sound pressure level at workplace L_{pA} 83 dB(A)

Uncertainty K_{pA} 2 dB(A)

Hand-arm vibrations

Specified vibration characteristic in accordance with EN 12096:

Measured value a_{hw} 3,90 m/sec²

Uncertainty K_{hw} 1,95 m/sec²

Measurement in accordance with EN 20643

RM 448.0 T:

Engine: Manufacturer, type Briggs & Stratton, Series 575

Displacement 140 ccm

Nominal output at nominal speed 2,1 - 2800 kW - rpm

Fuel tank 0,8 l

Cutter bar speed 2800 rpm

Self-propulsion 1 forward gear with soft starter

Length 147 cm

Width 50 cm

Height 111 cm

Weight 26 kg

Sound emissions

In accordance with Directive 2000/14/EC:

Guaranteed sound power level L_{WAAd} 96 dB(A)

In accordance with Directive 2006/42/EC:

Sound pressure level at workplace L_{pA} 83 dB(A)

Uncertainty K_{pA} 2 dB(A)

Hand-arm vibrations

Specified vibration characteristic in accordance with EN 12096:

Measured value a_{hw} 3,90 m/sec²

Uncertainty K_{hw} 1,95 m/sec²

Measurement in accordance with EN 20643

RM 448.0 TC:

Engine: Manufacturer, type Briggs & Stratton, Series 575

Displacement 140 ccm

Nominal output at nominal speed 2,1 - 2800 kW - rpm

Fuel tank 0,8 l

Cutter bar speed 2800 rpm

Self-propulsion 1 forward gear with soft starter

Length 147 cm

Width 50 cm

Height 113 cm

Weight 27 kg

Sound emissions

In accordance with Directive 2000/14/EC:

Guaranteed sound power level L_{WAAd} 96 dB(A)

In accordance with Directive 2006/42/EC:

Sound pressure level at workplace L_{pA} 83 dB(A)

Uncertainty K_{pA} 2 dB(A)

Hand-arm vibrations

Specified vibration characteristic in accordance with EN 12096:

Measured value a_{hw} 3,50 m/sec²

Uncertainty K_{hw} 1,75 m/sec²

Measurement in accordance with EN 20643

RM 448.0 TX:

Engine: Manufacturer, type Briggs & Stratton, Series 550 EX OHV RS

Displacement 140 ccm

Nominal output at nominal speed 2,1 - 2800 kW - rpm

Fuel tank 0,8 l

Cutter bar speed 2800 rpm

Self-propulsion 1 forward gear with soft starter

Length 147 cm

Width 50 cm

Height 111 cm

Weight 26 kg

Sound emissions

In accordance with Directive 2000/14/EC:
 Guaranteed sound power level L_{WAAd} 96 dB(A)
 In accordance with Directive 2006/42/EC:
 Sound pressure level at workplace L_{pA} 83 dB(A)
 Uncertainty K_{pA} 2 dB(A)

Hand-arm vibrations

Specified vibration characteristic in accordance with EN 12096:
 Measured value a_{hw} 4,10 m/sec²
 Uncertainty K_{hw} 2,05 m/sec²
 Measurement in accordance with EN 20643

RM 448.0 VC:

Engine: Manufacturer, type	Briggs & Stratton, Series 625
Displacement	150 ccm
Nominal output at nominal speed	2,2 - 2800 kW - rpm
Fuel tank	0,8 l
Cutter bar speed	2800 rpm
Self-propulsion	Vario forwards
Length	147 cm
Width	50 cm
Height	113 cm
Weight	28 kg

Sound emissions

In accordance with Directive 2000/14/EC:
 Guaranteed sound power level L_{WAAd} 96 dB(A)
 In accordance with Directive 2006/42/EC:
 Sound pressure level at workplace L_{pA} 83 dB(A)
 Uncertainty K_{pA} 2 dB(A)

Hand-arm vibrations

Specified vibration characteristic in accordance with EN 12096:
 Measured value a_{hw} 3,00 m/sec²
 Uncertainty K_{hw} 1,50 m/sec²
 Measurement in accordance with EN 20643

18.1 REACH

REACH is an EC Directive for the registration, evaluation, authorisation and restriction of chemicals.

Information on compliance with the REACH Directive (EC) No. 1907/2006 is available from www.stihl.com/reach.

19. Troubleshooting

✂ If necessary, contact a specialist dealer; STIHL recommends STIHL specialist dealers.

📖 See engine instruction manual.

Fault:

Engine not starting

Possible cause:

- Motorstop lever not pressed.
- No fuel in tank; fuel line blocked.
- Inferior, dirty or old fuel in tank.
- Air filter dirty.
- Spark plug socket detached from spark plug; ignition lead not properly fastened to socket.
- Spark plug dirty or damaged; incorrect electrode gap.

Remedy:

- Press motorstop lever to handlebar and hold. (⇒ 9.2)
- Top up fuel; clean fuel line. ✂

- Always use fresh, good quality fuel, unleaded petrol; clean carburettor. ✂
- Clean air filter. ✂
- Connect spark plug socket; check connection between ignition lead and socket. ✂
- Clean or replace spark plug; adjust electrode gap. ✂

Fault:

Starting problems or deteriorating engine power.

Possible cause:

- Lawn mower housing blocked.
- Mowing at an excessively low cutting height or propulsion speed is too high in relation to the cutting height.
- Water in fuel tank and carburettor; carburettor blocked.
- Fuel tank contaminated.
- Air filter dirty.
- Spark plug dirty.

Remedy:

- Clean lawn mower housing (detach spark plug socket!). (⇒ 12.3)
- Select a higher cutting height or reduce the pushing speed. (⇒ 8.4)
- Empty fuel tank, clean fuel line and carburettor. ✂
- Clean fuel tank. ✂
- Clean air filter. ✂
- Clean spark plug. ✂

Fault:

Engine overheating.

Possible cause:

- Oil level in engine too low.
- Cooling ribs dirty.

Remedy:

- Change engine oil. (⇒ 7.6)
- Clean cooling ribs. (⇒ 12.3)

Fault:

Excessive vibration during operation.

Possible cause:

- Cutting unit defective.
- Engine mounting loose.

Remedy:

- Check mowing blade, blade shaft and blade fastening (blade fastening screw and retaining washer), and repair if necessary. ✖
 - Tighten engine mounting bolts. ✖
-

Fault:

Poor cut, lawn turning yellow

Possible cause:

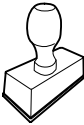
- Mowing blade is blunt or worn,

Remedy:

- Sharpen or replace the mowing blade (⇒ 12.6), (⇒ 12.5), ✖

20. Service schedule


20.1 Handover confirmation


Model: _____
Serial number: □ □ □ □ □ □ □ □ □ □
Date: □ □ □ □ □ □ □ □ □ □

Next service Date: □ □ □ □ □ □ □ □ □ □

20.2 Service confirmation



Please hand this instruction manual to your STIHL specialist dealer in the case of maintenance operations. He will confirm the service operations performed in the pre-printed boxes.

 Service performed on

 Next service date

Milá zákazníčka, milý zákazník,

teší nás, že ste sa rozhodli pre výrobok spoločnosti STIHL. Naše výrobky vyvíjame a vyrábame v špičkovej kvalite podľa požiadaviek našich zákazníkov. Tým vznikajú výrobky s vysokou spoľahlivosťou aj pri extrémnom namáhaní.

Spoločnosť STIHL je tiež zárukou kvalitného servisu. Naše špecializované predajne zabezpečujú kompetentné poradenstvo a zaškolenie, ako aj rozsiahlu technickú podporu.

Ďakujeme vám za vašu dôveru a želáme vám veľa radosti s výrobkom spoločnosti STIHL.

Dr. Nikolas Stihl

DÔLEŽITÉ! PRED POUŽITÍM PREČÍTAJTE A USCHOVAJTE.

1. Obsah

O tomto návode na obsluhu	34
Všeobecne	34
Vysvetlivky na čítanie návodu na obsluhu	34
Popis stroja	35
Pre vašu bezpečnosť	35
Všeobecne	35
Dopĺňanie paliva – zaobchádzanie s benzínom	36
Odev a výbava	37
Preprava stroja	37
Pred začiatkom práce	37
Počas práce	38
Údržba a opravy	39
Uskladnenie pri dlhších prevádzkových prestávkach	41
Likvidácia	41
Popis symbolov	41
Rozsah dodávky	42
Príprava stroja na prevádzku	42
Všeobecne	42
Montáž jednodielneho vodiaceho držadla (RM 448 PC, RM 448 TC, RM 448 VC)	42
Montáž dvojdielneho vodiaceho držadla (RM 443, RM 443 T, RM 448 PT, RM 448 T, RM 448 TX)	42
Zmontovanie zberného koša na trávu	43
Zavesenie a vyvesenie štartovacieho lanka	43
Palivo a motorový olej	43
Ovládacie prvky	43
Nastavenie jednodielneho vodiaceho držadla (RM 448 PC, RM 448 TC, RM 448 VC)	43
Sklopenie dvojdielneho vodiaceho držadla (RM 443, RM 443 T, RM 448 PT, RM 448 T, RM 448 TX)	44
Zberný kôš na trávu	44
Centrálne nastavenie výšky kosenia	44
Indikátor naplnenia	44
Bezpečnostné zariadenia	45
Bezpečnostné zariadenia	45
Páka pre zastavenie motora	45
Pokyny pre prácu	45
Pracovný priestor obsluhy	45
Uvedenie stroja do prevádzky	45
Štartovanie spaľovacieho motora	45
Vypnutie spaľovacieho motora	45
Pohon kolies (RM 443 T, RM 448 PC, RM 448 PT, RM 448 T, RM 448 TX, RM 448 TC, RM 448 VC)	46
Vyprázdenie zberného koša na trávu	46
Údržba	46
Všeobecne	46
Spaľovací motor	46
Čistenie stroja	46
Kontrola opotrebovania noža	47
Demontáž a montáž žacieho noža	47
Brúsenie žacieho noža	48
Uskladnenie a odstavenie stroja (zimná prestávka)	48
Preprava stroja	49
Transportovanie stroja	49
Ochrana životného prostredia	49

Opatrenia na minimalizovanie opotrebovania a na zabránenie vzniku škôd	49
Bežné náhradné diely	50
Prehlásenie o zhode výrobcom - EÚ	50
Benzínová kosačka na trávu (STIHL RM)	50
Technické údaje	51
REACH	54
Hľadanie porúch	54
Servisný plán	55
Potvrdenie o prevzatí	55
Potvrdenie o vykonaní servisných prác	55

2. O tomto návode na obsluhu

2.1 Všeobecne

Tento návod na obsluhu je **originálny návod na obsluhu** od výrobcu v zmysle smernice EÚ 2006/42/EC.

Firma STIHL neustále pracuje na ďalšom vývoji a rozširovaní ponuky svojich výrobkov, preto si vyhradzuje právo na zmeny obsahu dodávok, ktoré sa môžu týkať formy, technického vybavenia či príslušenstva.

Z tohto dôvodu nemožno na základe údajov a obrázkov uvedených v tomto katalógu vzniesť žiadne právne nároky.

V tomto návode na obsluhu sú príp. popísané modely, ktoré nie sú vo vašej krajine dostupné.

Tento návod na obsluhu je chránený autorskými právami. Všetky práva zostávajú vyhradené, a to najmä právo na rozmnožovanie, preklady a úpravy prostredníctvom elektronických systémov.

2.2 Vysvetlivky na čítanie návodu na obsluhu

Obrázky a texty popisujú určité manipulačné kroky.

V návode na obsluhu sú vysvetlené tiež všetky obrázkové symboly umiestnené na stroji.

Smer pohľadu:

Definícia smeru pohľadu v tomto návode na obsluhu pri označení smeru „**vľavo**“ a „**vpravo**“:
Obsluha stroja stojí za strojom a pozerá sa dopredu v smere jazdy.

Odkaz na kapitolu:

Šípka ukazuje na príslušné kapitoly a podkapitoly, v ktorých môžete nájsť ďalšie vysvetlenie. V nasledujúcom príklade je uvedený odkaz na kapitolu: (⇒ 4.)

Označenie jednotlivých textových sekvencií:

Popísané pokyny môžu byť označené ako niektorý z nasledujúcich príkladov.

Manipulačné kroky, ktoré vyžadujú určitý úkon obsluhy:

- Skrutku (1) uvoľnite skrutkovačom, stlačte páku (2) ...

Všeobecný súpis úkonov:

- použitie stroja na športové alebo súťažné akcie

Texty so zvláštnym významom:

Pre zdôraznenie zvláštneho významu sú tieto textové úseky v návode na obsluhu označené jedným z nasledujúcich symbolov.



Nebezpečenstvo!

Nebezpečenstvo nehody a ťažkého úrazu osôb. Na tomto mieste sa musia dodržiavať určité predpísané pokyny alebo sa niečo zakazuje.



Varovanie!

Nebezpečenstvo úrazu osôb. Dodržovaním predpísaných pokynov môžete zabrániť možným úrazom.



Pozor!

Dodržiavaním predpísaných pokynov môžete zabrániť nebezpečenstvu vzniku ľahkých úrazov resp. materiálnych škôd.



Upozornenie

Informácia, dôležitá pre lepšie využitie funkcií stroja a pre zabránenie možným chybám obsluhy.

Texty vzťahujúce sa na obrázok:

Obrázky, ktoré vysvetľujú obsluhu stroja, sú uvedené v návode na obsluhu úplne na začiatku.

Symbol fotoaparátu slúži na prepojenie určitého obrázka v obrázkovej časti s príslušným textom v návode na obsluhu.



3. Popis stroja



- 1 Páka pre zastavenie motora
- 2 Páka pohonu kolies (RM 443 T, RM 448 PC, RM 448 PT, RM 448 T, RM 448 TX, RM 448 TC, RM 448 VC)
- 3 Páka pohonu kolies Vario (RM 448 VC)
- 4 Horný diel vodiaceho držadla
- 5 Štartovacie lanko
- 6 Rýchlopínacia páka (RM 443, RM 443 T, RM 448 PT, RM 448 T, RM 448 TX)
- 7 Spodný diel vodiaceho držadla (RM 443, RM 443 T, RM 448 PT, RM 448 T, RM 448 TX)
- 8 Spaľovací motor
- 9 Tlmič výfuku s ochrannou mriežkou
- 10 Koncovka zapaľovacej sviečky
- 11 Predné držadlo
- 12 Predné koleso
- 13 Zadné koleso
- 14 Zberný kôš na trávu
- 15 Zadné držadlo
- 16 Páka na prestavenie výšky kosenia
- 17 Výkonový štítok so strojovým číslom
- 18 Konzola vodiaceho držadla (RM 448 PC, RM 448 TC, RM 448 VC)
- 19 Zaisťovacia páka vodiaceho držadla (RM 448 PC, RM 448 TC, RM 448 VC)

4. Pre vašu bezpečnosť

4.1 Všeobecne



Pri práci so strojom je bezpodmienečne nutné dodržiavať nasledujúce bezpečnostné predpisy.



Pred prvým uvedením stroja do prevádzky je potrebné si pozorne prečítať celý návod na obsluhu. Návod na obsluhu si starostlivo uložte, aby ste ho mohli použiť neskôr.

Dodržiavajte pokyny na obsluhu a údržbu, ktoré sú uvedené v samostatnom návode na obsluhu spaľovacieho motora.

Z hľadiska vašej bezpečnosti je nevyhnutné dodržiavať tieto bezpečnostné opatrenia, ktorých zoznam však nie je úplný. Používajte stroj vždy rozumne a zodpovedne a pamätajte na to, že obsluha stroja zodpovedá za úrazy spôsobené ďalším osobám alebo za poškodenie ich majetku.

Zoznámte sa s ovládacími prvkami a používaním stroja.

Stroj smú obsluhovať len osoby oboznámené s návodom na obsluhu stroja a s jeho ovládaním. Pred prvým uvedením do prevádzky musí používateľ absolvovať odborné a praktické zaškolenie. Predávajúci, prípadne iná odborne vyškolená osoba, musí používateľovi vysvetliť bezpečné používanie stroja.

Pri tomto školení treba používateľa upozorniť najmä na to, že pri práci so strojom je potrebná maximálna starostlivosť a koncentrácia.

Aj keď tento stroj obsluhujete podľa predpisov, stále zostávajú zostatkové riziká.



Ohrozenie života udusením!

Hrozí riziko udusenía detí hrajúcich sa s obalovým materiálom. Obalový materiál vždy uchovávajte mimo dosahu detí.

Stroj vrátane všetkých prídavných zariadení sa môže zveriť alebo zapožičať len osobám, ktoré boli s týmto modelom a jeho používaním dôkladne oboznámené. Návod na obsluhu je súčasťou stroja a vždy sa musí poskytovať so strojom.

Používajte stroj len oddychnutý a v dobrom telesnom ako i duševnom stave. Ak máte zdravotné problémy, mali by ste sa informovať u svojho lekára, či vám odporúča prácu so strojom. So strojom sa nesmie pracovať po požití alkoholu, drog alebo liekov, ktoré ovplyvňujú reakčnú schopnosť.

Prístroj by nikdy nemali používať deti, osoby s obmedzenými telesnými, sensorickými alebo duševnými schopnosťami, neskúsené osoby ani osoby, ktoré sa neoboznámili s pokynmi na obsluhu stroja.

Nikdy nedovoľte stroj používať deťom alebo osobám mladším ako 16 rokov. Miestne predpisy môžu stanoviť odlišný minimálny vek pre obsluhu stroja.

Stroj je určený len na súkromné použitie.

Pozor – nebezpečenstvo úrazu!

Kosačka na trávu je určená iba na kosenie trávnik. Iné použitie nie je dovolené a môže byť nebezpečné, alebo môže zapríčiniť poškodenie stroja.

Pre zabránenie fyzického úrazu používateľa sa kosačka nesmie používať napr. na nasledujúce práce (zoznam príkladov nie je úplný):

- úpravu korún krovia, živých plotov a kríkov,
- kosenie popínavých rastlín,
- údržbu trávnikov na strechách a na balkónoch,
- drvenie vetvičiek zo stromov či odrezkov konárov kríkov,
- čistenie chodníkov (vysávanie, vyfukovanie),
- vyrovnávanie nerovností pôdy ako napr. krtincov,
- prepravu pokosenej hmoty, s výnimkou na to určeného zberného koša na trávu.

Z bezpečnostných dôvodov je zakázaná akákoľvek úprava stroja okrem odbornej montáže príslušenstva schváleného spoločnosťou STIHL a má za následok stratu nárokov vyplývajúcich zo záruky. Informácie o schválenom príslušenstve vám poskytne špecializovaný predajca výrobkov STIHL.

Zakázané sú najmä akékoľvek zmeny na stroji s cieľom zvýšiť výkon alebo otáčiky spaľovacieho motora, resp. elektromotora.

Stroj nie je dovolené použiť na prepravu predmetov, zvierat alebo osôb, zvlášť detí.

Pri používaní na verejných priestranstvách, v parkoch a športoviskách, na uliciach a v poľnohospodárskom a lesnom hospodárstve sa musí pracovať s mimoriadnou opatrnosťou.



Pozor! Zdraviu škodlivé vibrácie! Nadmerné zaťaženie vibráciami môže mať za

následok ohrozenie krvného obehu alebo nervovej sústavy, zvlášť u osôb s problematickým krvným obehom. Ak sa objavia príznaky, ktoré by mohli byť vyvolané následkom vibrácií, obráťte sa na lekára.

Tieto symptómy, ktoré sa vyskytujú prevažne v prstoch, rukách alebo v zápästí, sú napríklad (zoznam príkladov nie je úplný):

- necitlivosť,
- bolesti,
- svalová slabosť,
- zmeny zafarbenia pokožky,
- nepríjemné mravčenie.

Vodiace držadlo počas prevádzky držte pevne, ale nie kľúčovito, obidvomi rukami na určených miestach.

Pracovné časy plánujte tak, aby ste sa vyhli vyšším zaťaženiam z dôvodu dlhšieho intervalu.

4.2 Dopĺňanie paliva – zaobchádzanie s benzínom



Výstraha!

Benzín je jedovatý a vysoko zápalný.

Benzín uskladňujte len v nádobách (kanistroch), ktoré sú na to určené a schválené. Uzávery palivových nádrží je potrebné vždy riadne naskrutkovať a dotiahnuť. Poškodené uzávery je z bezpečnostných dôvodov potrebné vymeniť.

Na likvidáciu alebo uskladňovanie prevádzkových hmôt, ako napr. paliva, nikdy nepoužívajte fľaše na nápoje a pod. Mohlo by sa stať, že sa z toho niekto omylom napije, zvlášť deti.



Benzín skladujte mimo priestorov, kde sa vyskytujú zdroje iskrenia, otvorený oheň, vyhrievacie telesá a iné zápalné zdroje. Fajčenie zakázané!

Palivo dopĺňajte len vonku a pri tom nefajčite.

Pred dopĺňaním paliva vypnite spaľovací motor a nechajte ho vychladnúť.

Benzín doplňte pred naštartovaním spaľovacieho motora. Keď beží spaľovací motor alebo keď je stroj horúci, neatvárajte uzáver palivovej nádrže ani nedopĺňajte benzín.

Neprepĺňajte palivovú nádrž!

Palivovú nádrž neplňte až nad dolný okraj plniaceho hrdla, inak nebude mať palivo pri zvýšení teploty dostatok miesta pre zväčšenie objemu.

Dodržiavajte pokyny uvedené v návode na obsluhu spaľovacieho motora.



Ak došlo k pretečeniu benzínu, spaľovací motor možno naštartovať až po vyčistení plôch poliatelych benzínom. Kým sa zvyšky benzínu neodparia (dosucha neutrú), vyhnite sa akejkoľvek manipulácii so systémom zapaľovania.

Rozliate palivo je potrebné vždy utrieť dosucha.

Benzínom poliately odev je potrebné vymeniť.

Stroj s benzínom v nádrži nikdy neskladujte v budove. Benzinové výpary môžu prísť do styku s otvoreným ohňom alebo iskrami a môžu sa vznietiť.

Ak je potrebné vyprázdniť nádrž, musí sa to vykonať vonku.

4.3 Odev a výbava



Pri práci používajte vždy pevnú obuv s drsnou podrážkou. Nikdy nepracujte bosí alebo napr. v sandáloch.



Počas údržbárskych a čistiacich prác, ako aj pri doprave stroja je navyše potrebné vždy používať pevné rukavice a zviazať a zaistiť dlhé vlasy (pomocou šatky, čiapky a pod.).



Pri ostrení žacieho noža sa musia nosiť vhodné ochranné okuliare.

Stroj smie uviesť do prevádzky len osoba s dlhými nohavicami a tesne priliehajúcim odevom.

Nenoste voľné šaty, tieto by sa mohli zachytiť o pohybujúce sa diely stroja (ovládacie páky) – to isté platí pre šperky, kravaty a šály.



Počas práce dochádza k hluku. Hluk môže poškodiť sluch.

Používajte chrániče sluchu.

4.4 Preprava stroja

Na zabránenie nebezpečenstva poranenia na ostrých hranách a popálenia na horúcich častiach stroja používajte vždy pracovné rukavice.

Stroj nemožno prepravovať s bežiacim spaľovacím motorom. Pred prepravou vypnite spaľovací motor, počkajte, kým sa nôž úplne zastaví, a vyťahnite koncovku zapaľovacej sviečky.

Stroj prepravujte len s vychladnutým spaľovacím motorom a prázdnu palivovou nádržou.

Na nakladanie používajte vhodné nakladacie zariadenia (nakladacie rampy, zdvíhacie zariadenia).

Stroj a príslušenstvo prepravované so strojom (napr. zberný kôš na trávu) vždy riadne zaistíte na ložnej ploche použitím dostatočne dimenzovaných viazacích prostriedkov (laná, upevňovacie popruhy a pod.).

Pri nadvíhovaní a nosení stroja dajte pozor, aby ste sa nedostali do kontaktu so žacím nožom.

Dodržujte pokyny uvedené v kapitole „Preprava stroja“. V kapitole je opísané, ako sa má prístroj nadvíhnúť, resp. upevniť. (⇒ 13.)

Pri preprave stroja dodržujte platné regionálne zákonné predpisy, predovšetkým predpisy o bezpečnosti a zabezpečení nákladu počas transportu a spôsobe prepravy predmetov na ložnej ploche.

4.5 Pred začiatkom práce

Je potrebné zabezpečiť, aby so strojom pracovali len osoby, ktoré sú oboznámené s návodom na použitie.

Pred uvedením stroja do prevádzky skontrolujte tesnosť palivového systému, predovšetkým jeho viditeľných častí (napríklad palivovú nádrž, uzáver palivovej nádrže, hadicové spojky). V prípade zistenej priepustnosti alebo poškodenia neštartujte spaľovací motor – **hrozí nebezpečenstvo požiaru!** Stroj nechajte pred uvedením do prevádzky opraviť u špecializovaného predajcu.

V súvislosti s prevádzkovou dobou záhradnej techniky so spaľovacím motorom, resp. elektromotorom dodržiavajte platné miestne predpisy.

Pozemok, na ktorom sa má so strojom pracovať, predtým dôkladne prekontrolujte a odstráňte všetky veľké kamene, konáre, drôty, kosti a všetky ostatné cudzie predmety, ktoré by mohli byť rotujúcim nožom stroja odmrštené. Prekážky (ako napr. pne, korene) môžete vo vysokej tráve ľahko prehliadnuť.

Označte preto pred prácou so strojom všetky cudzie objekty (prekážky) ukryté na ploche trávnik, ktoré sa nedajú odstrániť.

Pred použitím stroja je potrebné vymeniť všetky chybné, ako aj opotrebované a poškodené diely. Nečitateľné alebo poškodené výstražné a bezpečnostné symboly na stroji sa musia obnoviť. Náhradné nálepky, ako aj všetky ostatné náhradné diely vám poskytnie špecializovaný predajca výrobkov STIHL.

Pred použitím stroja skontrolujte bezpečné umiestnenie koncovky zapaľovacej sviečky na zapaľovacej sviečke.

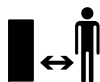
Stroj je možné používať iba v bezpečnom prevádzkovom stave. Pred každým uvedením stroja do prevádzky je potrebné skontrolovať:

- či je stroj zmontovaný podľa predpisov,
- či sa rezný nástroj a celá rezná jednotka (žací nôž, upevňovacie diely, skriňa žacieho mechanizmu) nachádzajú v bezchybnom stave, dbajte najmä na bezpečné upevnenie, poškodenia (zárezy alebo trhliny) a opotrebovanie, (⇒ 12.4)
- či je uzáver palivovej nádrže správne zaskrutkovaný,

- či je nádrž a diely vedenia paliva, ako aj uzáver palivovej nádrže, v bezchybnom stave,
- či sú bezpečnostné zariadenia (napr. páka pre zastavenie motora, vyhadzovacia klapka, žacia skriňa, vodiace držadlo, ochranná mriežka) v bezchybnom stave a fungujú podľa predpisov,
- či je zberný kôš na trávu nepoškodený a úplne namontovaný, poškodený zberný kôš na trávu sa nesmie používať,
- či je upevňovacia skrutka oleja správne zaskrutkovaná.

V prípade potreby vykonajte všetky požadované práce, resp. vyhľadajte špecializovaného predajcu. Spoločnosť STIHL odporúča špecializovaného predajcu výrobkov STIHL.

4.6 Počas práce



Nikdy nepracujte so strojom, ak sa v blízkosti nachádzajú zvieratá alebo osoby, zvlášť deti.

Prepínacie a bezpečnostné zariadenia, ktoré sú nainštalované na stroji, sa nesmú odstrániť ani inak vyradiť z činnosti. Najmä páku na zastavenie motora nesmiete nikdy pripevniť k vodiacemu držadlu (napr. priviazaním).



Pozor – nebezpečenstvo poranenia!

Nohy alebo ruky nikdy nekladajte do priestoru

rotujúcich rezných nožov. Nedotýkajte sa rotujúceho rezného noža. Zdržujte sa vždy v dostatočnej vzdialenosti od vyhadzovacieho otvoru.

Vždy dodržujte bezpečný odstup, ktorý je daný vodiacim držadlom stroja. Vodiace držadlo musí byť vždy riadne namontované a nesmie sa meniť. Stroj so sklopeným vodiacim držadlom nepoužívajte.

Na vodiace držadlo nikdy nevešajte žiadne predmety (napr. pracovný odev).

Pracujte len za denného svetla alebo pri dobrom umelom osvetlení.

Nepracujte počas dažďa, búrky a zvlášť vtedy, keď hrozí nebezpečenstvo zásahu bleskom.

Na mokrom podklade sa zvyšuje riziko úrazu v dôsledku zhoršených adhézných podmienok pre stabilný postoj obsluhy. Je potrebné pracovať zvlášť opatrne, aby sa zabránilo pošmyknutiu. Ak je to možné, nepoužívajte stroj na mokrom podklade.

Výfukové plyny:



Nebezpečenstvo ohrozenia života otrávením!

Pri nevoľnosti, bolestiach hlavy, poruche zraku (napr. pri zmenšení zorného poľa), poruche sluchu, závrate alebo znížení schopnosti koncentrácie prestaňte okamžite pracovať. Tieto príznaky môžu byť okrem iného spôsobené nadmernou koncentráciou výfukových plynov.



Keď sa spaľovací motor uvedie do prevádzky, stroj produkuje jedovaté výfukové plyny. Výfukové plyny obsahujú jedovatý oxid uhoľnatý, bezfarebný plyn bez zápachu, ako aj iné škodlivé látky. Spaľovací motor nikdy neuvádzajte do prevádzky v uzavretých alebo slabovo vetraných priestoroch.

Naštartovanie:

Pri štartovaní stroja postupujte opatrne – postupujte podľa pokynov v kapitole "Uvedenie stroja do prevádzky" (⇒ 11.). Štartovanie podľa týchto pokynov znižuje nebezpečenstvo úrazu.

Nebezpečenstvo úrazu!

Pri rýchlom odskočení štartovacieho lanka budú ruka a rameno pritiažené k spaľovaciemu motoru skôr, než stihnete štartovacie lanko pustiť. Týmto spätným rázom môže dôjsť k zlomeninám, pomliaždeninám a vytknutiam.

Pri spúšťaní vždy dbajte na dostatočnú vzdialenosť nôh od rezného nástroja.

Pri štartovaní motora sa stroj nesmie nakláňať.

Pri štartovaní sa nesmie stlačiť páka pohonu kolies.

Ak vyhadzovací kanál nie je zakrytý vyhadzovacou klapkou, resp. zberným košom na trávu, nepokúšajte sa štartovať spaľovací motor.

Práce na svahu:

Upravujte svahy vždy v priečnom smere, nikdy nie pozdĺžne.

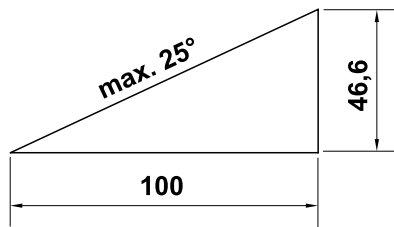
Ak používateľ pri pozdĺžnom kosení stratí kontrolu, mohol by sa naňho navyše prevrátiť kosiaci stroj.

Zvlášť opatrne pracujte pri zmene smeru jazdy na svahu.

Dbajte vždy na dobré postavenie na svahu a vyvarujte sa práci so strojom na príliš strmých svahoch.

Z bezpečnostných dôvodov sa stroj nesmie používať na svahoch so stúpaním nad 25° (46,6 %). **Nebezpečenstvo úrazu!**

Sklon svahu 25° zodpovedá vertikálnemu prevýšeniu o hodnotu 46,6 cm pri 100 cm horizontálnej vzdialenosti.



Ak chcete zaistiť dostatočné mazanie spaľovacieho motora, dodržiavajte pri používaní stroja na svahoch dodatočné pokyny uvedené v priloženom návode na obsluhu spaľovacieho motora.

Práca:



Nebezpečenstvo úrazu!

Ruky alebo nohy nikdy nedávajte nad, pod alebo na rotujúce časti.



V žiadnom prípade sa nepokúšajte kontrolovať rezný nôž, pokiaľ je kosačka v prevádzke. Nikdy neotvárajte vyhadzovaciu klapku a/alebo nezvesujete zberný kôš na trávu, ak sa ešte točí žací nôž. Otáčajúci sa rezný nôž môže spôsobiť úraz.

Stroj vedte len krokom – pri práci so strojom nikdy nebežte. Pri rýchlom vedení stroja sa môže používateľ ľahko potknúť alebo pošmyknúť, čím sa zvyšuje nebezpečenstvo úrazu.

Zvlášť opatrne postupujte pri otáčaní alebo priťahovaní stroja k sebe.

Nebezpečenstvo potknutia!

Ak pracujete v blízkosti svahov, zrázov, priekop alebo násypov, pri používaní stroja postupujte s mimoriadnou

opatnosťou. Dbajte predovšetkým na dostatočnú vzdialenosť od týchto nebezpečných miest.

Všetky objekty (drenážne potrubia na postrekovanie trávnikov, kolíky, vodné ventily, základy, elektrické vedenia a pod.) zapustené medzi koreňky pokoseného trávnik sa musia obchádzať. Nikdy nejazdite cez takéto predmety.



STOP

Pamätajte na to, že po vypnutí motora trvá ešte niekoľko sekúnd, než sa rezný nástroj prestane otáčať.

Vypnite spaľovací motor, umožnite úplné zastavenie pracovného náradia a snímte koncovku zapaľovacej sviečky:

- keď sa vzdialite od stroja, resp. ak stroj zostane bez dozoru,
- pred doplnením paliva. Palivo dopĺňajte až potom, keď spaľovací motor vychladne.

Nebezpečenstvo požiaru!

- pred uvoľňovaním zablokovaného mechanizmu alebo čistením upchatého vyhadzovacieho kanála,
- pred nadvihnutím a prenášaním stroja,
- pred prepravovaním stroja,
- pred vykonávaním prác na žacom noži,
- pred kontrolou alebo čistením stroja, prípadne pred ostatnými prácami na stroji (napr. sklopenie vodiaceho držadla),

- ak kosačka na trávu narazí do cudzieho telesa alebo začne nadmerne vibrovať. V takýchto prípadoch skontrolujte stroj, predovšetkým reznú jednotku (nôž, hriadeľ noža, upevnenie noža), či nie je poškodená. Skôr, ako opätovne naštartujete stroj a začnete s ním pracovať, vykonajte potrebné opravy.



Nebezpečenstvo poranenia!

Silné vibrácie sú zvyčajne prejavom nejakej poruchy. Kosačka na trávu sa nesmie uviesť do prevádzky najmä s poškodeným alebo deformovaným kľukovým hriadeľom alebo s poškodeným, resp. deformovaným žacím nožom. V prípade nedostatku odborných vedomostí sa obráťte na odborníka, ktorý vykoná potrebné opravy (spoločnosť STIHL odporúča špecializovaného predajcu výrobkov STIHL).

Vypnite spaľovací motor:

- keď stroj presúvate smerom k zatravnenej ploche alebo od zatravnenej plochy, ktorú budete kosiť,
- pred presunutím stroja na nezatravnenu plochu,
- pred tým, než otvoríte vyhadzovaciu klapku alebo zvesíte zberný kôš na trávu,
- keď sa musí stroj pri preprave naklopiť,
- pred nastavením výšky kosenia.

4.7 Údržba a opravy

Pred začiatkom čistiacich-, prestavovacích-, opravárskych- a údržbárskych prác:

- stroj postavte na pevný rovný podklad,

- vypnite spaľovací motor a nechajte ho vychladnúť,
- stiahnite koncovku zapalovacej sviečky.



Pozor – nebezpečenstvo úrazu!

Koncovku zapalovacej sviečky udržiavajte ďalej od zapalovacej sviečky; náhodná zapalovacia iskra môže spôsobiť požiar alebo zásah elektrickým prúdom. Náhodný kontakt zapalovacej sviečky s koncovkou zapalovacej sviečky môže spôsobiť nechcené spustenie zapalovacieho motora.



Nebezpečenstvo úrazu žacím nožom!

Potiahnutím štartovacieho lanka sa pracovné náradie uvedie do otáčavého pohybu. Keď potiahnete štartovacie lanko, vždy dodržujte dostatočnú vzdialenosť od žacieho noža, predovšetkým od rúk a chodidiel.

Pred prácami v priestore spaľovacieho motora, výfukového potrubia a tlmiča výfuku nechajte stroj vychladnúť. Motor môže dosiahnuť teplotu až 80 °C a vyššiu.

Nebezpečenstvo úrazu popálením!

Priamy kontakt s motorovým olejom môže byť nebezpečný, okrem toho sa motorový olej nesmie rozliať. Spoločnosť STIHL odporúča, aby sa plnenie, resp. výmena motorového oleja prenechala pracovníkom špecializovaného predajcu výrobkov značky STIHL.

Čistenie:

Po každom pracovnom použití sa musí celý stroj dôkladne vyčistiť. (⇒ 12.3)

Pred umiestnením stroja do polohy na čistenie vyprázdňte palivovú nádrž (napr. chodom motora naprázdno).

Usadené zvyšky trávy uvoľnite kúskom dreva. Spodné plochy kosačky vyčistite kefou a vodou.

Pre čistenie stroja nikdy nepoužívajte vysokotlakové čistiace zariadenia alebo prúd vody (napr. ostriekanie záhradnou hadicou). Nepoužívajte žiadne agresívne čistiace prostriedky. Tieto čistiace prostriedky by mohli poškodiť plastové a kovové diely, a tým negatívne ovplyvniť bezpečnú prevádzku vášho stroja od spoločnosti STIHL.

Aby sa zabránilo nebezpečenstvu vzniku požiaru, udržiavajte priestor v oblasti chladiacich otvorov, rebier a oblastí výfuku bez zvyškov napr. trávy, slamy, machu, lístia alebo vytečeného maziva.

Údržbárske práce:

Je možné vykonávať len tie údržbárske práce, ktoré sú popísané v návode na použitie, všetky ďalšie práce je potrebné nechať vykonať špecializovaným predajcom.

Ak nemáte potrebné odborné vedomosti a pomôcky, obráťte sa **vždy** na odborného predajcu.

Spoločnosť STIHL odporúča nechať vykonávať všetky údržbárske práce a opravy len u špecializovaného predajcu STIHL.

Odborní predajcovia STIHL budú pravidelne ponúkať školenia a poskytovať technické informácie.

Používajte len náradie, príslušenstvo alebo prídavné zariadenia, ktoré sú pre tento stroj schválené firmou STIHL alebo sú technicky rovnocenné, ináč môže

vzniknúť nebezpečenstvo poranenia osôb alebo poškodenia stroja. V prípade otázok sa obráťte na špecializovaného predajcu.

Vlastnosti originálneho náradia, príslušenstva a náhradných dielov STIHL sú optimálne zladené so strojom a so všetkými požiadavkami užívateľa. Originálne náhradné diely STIHL môžete poznať podľa objednávacieho čísla náhradných dielov STIHL, podľa nápisu STIHL a prípadne podľa značky, označujúcej náhradné diely STIHL. Na malých dieloch môže byť toto označenie aj samostatne.

Z bezpečnostných dôvodov pravidelne kontrolujte tesnosť všetkých dielov palivového systému (palivového potrubia, palivového ventilu, palivovej nádrže, uzáveru nádrže, prípojok atď.) a v prípade potreby vymeňte (spoločnosť STIHL odporúča špecializovaného predajcu výrobkov značky STIHL).

Samolepiace informačné a výstražné symboly na stroji udržiavajte vždy čisté a čitateľné. Poškodené alebo stratené nálepky vymeňte za nové originálne. Tieto nálepky Vám vymení Váš špecializovaný predajca STIHL. Pri výmene určitého dielu za nový dbajte na to, aby bol tento nový diel opatrený tou istou nálepkou.

Práce na reznej časti stroja vykonávajúce len v hrubých pracovných rukaviciach a s najväčšou opatrnosťou.

Kontrolujte pevné dotiahnutie všetkých matíc, čapov a skrutiek, predovšetkým skrutky noža, aby bola zaistená bezpečná prevádzka stroja.

Pravidelne kontrolujte opotrebovanie a poškodenie celého stroja a zberného koša na trávu, predovšetkým pred uskladnením stroja na dlhšiu dobu (ako napr. pred zimnou prestávkou). Opotrebované alebo

poškodené diely stroja z bezpečnostných dôvodov včas vymeňte. Tým zaistíte, aby bol stroj vždy v bezpečnom prevádzkyschopnom stave.

Nikdy nemeňte základné nastavenie spaľovacieho motora a nepretáčajte ho.

Pokiaľ musel byť na účely údržby stroja demontovaný niektorý diel alebo niektoré ochranné zariadenie, musia sa tieto diely neodkladne a podľa predpisu namontovať späť.

4.8 Uskladnenie pri dlhších prevádzkových prestávkach

Pred tým, než stroj odložíte do uzavretej miestnosti, nechajte vychladnúť spaľovací motor.

Stroj s vyprázdnenou palivovou nádržou a zásobné palivo uskladňujte v uzavrateľnom a dobre odvetranom priestore.

Ubezpečte sa, že stroj je chránený pred nedovoleným použitím (napr. deťmi).

Stroj s benzínom v nádrži nikdy neskladujte v budove. Benzínové výpary môžu prísť do styku s otvoreným ohňom alebo iskrami a môžu sa vznietiť.

Pokiaľ sa musí vyprázdniť nádrž (napr. za účelom uskladnenia stroja pred zimnou prestávkou), je potrebné vyprázdnenie vykonať vonku (napr. chodom motora naprázdno až do úplného spotrebovania paliva v nádrži).

Stroj pred uskladnením (napr. na zimnú prestávku) dôkladne očistite.

Stroj uskladniť len so stiahnutou koncovkou zapaľovacej sviečky.

Stroj skladujte v riadnom prevádzkovom stave.

Pred tým, než stroj prikryjete, nechajte ho úplne vychladnúť.

4.9 Likvidácia

Odpady, ako starý olej alebo palivo, mazivá, filtre, batérie a podobné spotrebné diely môžu byť škodlivé pre ľudí, zvieratá a životné prostredie a musia byť preto odborne zlikvidované.

Potrebné informácie o odbornej likvidácii odpadových materiálov môžete získať v miestnom recyklačnom stredisku alebo u špecializovaného predajcu. Spoločnosť STIHL odporúča špecializovaného predajcu výrobkov STIHL.

Zabezpečte, aby bol použitý a nepotrebný stroj odovzdaný do špecializovanej zberne na ekologickú likvidáciu odpadu. Stroj pred likvidáciou zneškodnite tak, aby bol nepoužiteľný. Aby sa zabránilo úrazu, odstráňte kábel zapaľovania, vyprázdnite palivovú nádrž a vypustite motorový olej.

Nebezpečenstvo úrazu žacím nožom!

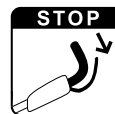
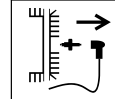
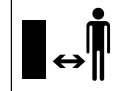
Nenechávajte bez dozoru ani kosačku na trávu, ktorá je vyradená z prevádzky. Zaistite, aby bol stroj a najmä žací nôž uskladnený mimo dosahu detí.

5. Popis symbolov



Pozor!

Pred uvedením stroja do prevádzky si dôkladne prečítajte návod na obsluhu.



Nebezpečenstvo úrazu!

Riziko úrazu osôb, zdržujúcich sa v pracovnej oblasti.

Nebezpečenstvo úrazu!

Pred prácami na reznom nástroji, ako aj údržbárskymi a čistiacimi prácami snímte koncovku zapaľovacej sviečky.

Nebezpečenstvo úrazu!

Dodržiavajte bezpečnú vzdialenosť rúk a nôh od nožov!

Po vypnutí motora trvá ešte niekoľko sekúnd, kým sa rezný nástroj úplne zastaví (brzda spaľovacieho motora/nožová brzda).

RM 443, RM 443 T, RM 448 PT, RM 448 T, RM 448 TX:

Štartovanie spaľovacieho motora

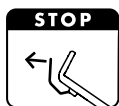
RM 443, RM 443 T, RM 448 PT, RM 448 T, RM 448 TX:

Vypnutie spaľovacieho motora

RM 443 T, RM 448 PT, RM 448 T, RM 448 TX:
Zapnutie pohonu kolies



**RM 448 PC, RM 448 TC,
RM 448 VC:**
Štartovanie spaľovacieho motora



**RM 448 PC, RM 448 TC,
RM 448 VC:**
Vypnutie spaľovacieho motora



**RM 448 PC, RM 448 TC,
RM 448 VC:**
Zapnutie pohonu kolies



RM 448 VC:
Nastavenie rýchlosti jazdy.
(⇒ 11.3)

6. Rozsah dodávky



Ozn.	Názov	ks
A	Základný stroj	1
B	Horný diel zberného koša	1
C	Spodný diel zberného koša	1
D	Čap	2
-	Návod na obsluhu	1
-	Návod na obsluhu Spaľovací motor	1

**RM 443, RM 443 T, RM 448 PT,
RM 448 T, RM 448 TX:**

Ozn.	Názov	ks
E	Rýchlopínacia páka	2
F	Skrutka	2
G	Vedenie kábla	2
H	Ochranné objímky	2

RM 448 PC, RM 448 TC, RM 448 VC:

Ozn.	Názov	ks
I	Cievka	1
J	Skrutka	1
K	Podložka	2
L	Matica	1

7. Príprava stroja na prevádzku

7.1 Všeobecne



Nebezpečenstvo úrazu

Dodržiujte bezpečnostné pokyny, uvedené v kapitole „Pre vašu bezpečnosť“ (⇒ 4.).

- Pre vykonanie všetkých opísaných prác sa musí stroj postaviť na vodorovnú, hladkú a pevnú plochu.

7.2 Montáž jednodielneho vodiaceho držadla (RM 448 PC, RM 448 TC, RM 448 VC)



- **1** Cievku (I) vložte do otvoru na vodiacom držadle (1).
- **2** Obe podložky (K) nasadte na cievku vodiaceho držadla (1), pričom prehnutie má smerovať dovnútra.

- **3** Cievku (I) a podložky (K) pridržte a spolu s vodiacim držadlom (1) ich umiestnite do držiaka na konzole vodiaceho držadla (2).
- **4** Skrutku (J) prestrčte zvonku dovnútra otvorom na vodiacom držadle (1) a na konzole vodiaceho držadla (2).
- **5** Naskrutkujte maticu (L).
- **6** Dotiahnite skrutku (J). Uťahovací moment: **18 - 22 Nm**

Montáž laniek:

- RM 448 PC, RM 448 TC: Lankové tiehlo na zastavenie motora (3) a lankové tiehlo na pohon kolies (4) uložte do vedení lanka (6) na konzole vodiaceho držadla a na vodiacom držadle.
RM 448 VC: Lankové tiehlo na zastavenie motora (3), lankové tiehlo na pohon kolies (4) a lankové tiehlo na pohon Vario (5) uložte do vedení lanka (6) na konzole vodiaceho držadla a na vodiacom držadle.

7.3 Montáž dvojdielneho vodiaceho držadla (RM 443, RM 443 T, RM 448 PT, RM 448 T, RM 448 TX)



- Ochrannú objímku (H) nasadte na oba spodné diely vodiaceho držadla (1).
- Skrutku (F) prestrčte otvorom vedenia kábla (G).
- Horný diel vodiaceho držadla (2) pridržte na spodných dieloch vodiaceho držadla (1).

- Ľavá strana:
Vedenie kábla (G) zaveste na lanko na zastavenie motora (3).
- Pravá strana (RM 443 T, RM 448 PT, RM 448 T, RM 448 TX):
Vedenie kábla (G) zaveste na lanko na pohon kolies (4).
- Skrutku (F) prestrčte na oboch stranách otvorami zvnútra smerom von.
- Rýchlopínacie páky (E) priskrutkujte k skrutkám (F) (jedna otáčka závitú každej skrutky by mala ostať voľná) a zaklapnite nahor.
- Skontrolujte správnosť montáže: Rýchlopínacie páky (E) musia byť dotiahnuté tak pevne, aby úplne priliehali k vodiacemu držadlu a horný diel vodiaceho držadla bol pevne upevnený v spodných dieloch vodiaceho držadla.
Ak vodiace držadlo nie je namontované pevne alebo rýchlopínacie páky nepriliehajú správne, otvorte rýchlopínacie páky a otáčajte dovtedy, kým nebudú pevne držať.

7.4 Zmontovanie zberného koša na trávu



- Horný diel zberného koša (B) nasadíte na spodný diel zberného koša (C). Dbajte na správnu polohu vedení.
- Čapy (D) zatlačte do príslušných otvorov z vnútornej strany.
- Horný diel zberného koša (B) zaaretujte do spodného dielu zberného koša ľahkým zatlačením.
- Zaveste zberný kôš na trávu (⇒ 8.3).

7.5 Zavesenie a vyvesenie štartovacieho lanka



Zavesenie

- Koncovku zapaľovacej sviečky snímte zo spaľovacieho motora.
- Páku na zastavenie motora (1) pritlačte k držadlu a podržte.
- Pomaly vytiahnite štartovacie lanko (2).
- Uvoľnite páku pre zastavenie motora (1) a štartovacie lanko (2) zaveste do držiaka lanka (3).
- Nasuňte koncovku zapaľovacej sviečky.

Zvesenie

- Koncovku zapaľovacej sviečky snímte zo spaľovacieho motora.
- Štartovacie lanko (2) zveste z držiaka lanka (3).

7.6 Palivo a motorový olej



Zabráňte poškodeniu stroja!

Pred prvým naštartovaním stroja musíte naplniť motorový olej. Na plnenie motorového oleja, resp. pri tankovaní použite vhodnú pomôcku (napr. lievik).

Motorový olej:

Informácie o predpísanom druhu motorového oleja a kapacite oleja získate v návode na obsluhu spaľovacieho motora. Pravidelne kontrolujte stav naplnenia (prečítajte si návod na obsluhu spaľovacieho motora). Dbajte na to, aby výška hladiny oleja nebola príliš vysoká ani príliš nízka.



Pred uvedením spaľovacieho motora do prevádzky poriadne zaskrutkujte uzáver olejovej nádrže.

Palivo:

Odporúčanie:

Čerstvé značkové palivá.
Bezolovnatý benzín.

Údaje o kvalite paliva (oktánové číslo) získate v návode na obsluhu spaľovacieho motora.



8. Ovládacie prvky

8.1 Nastavenie jednodielneho vodiaceho držadla (RM 448 PC, RM 448 TC, RM 448 VC)



Nebezpečenstvo úrazu privretím!

Pri používaní zaisťovacej páky držte horný diel vodiaceho držadla vždy jednou rukou za jeho najvyššie položenú časť. Nikdy nekladajte prsty medzi vodiace držadlo a konzolu (nad a pod zaisťovacou pákou).

Sklopenie vodiaceho držadla:

Poloha pre prepravu (na čistenia stroja, priestorovo úspornú prepravu a uskladnenie stroja):

- Štartovacie lanko zveste z držiaka lanka. (⇒ 7.5)
- Horný diel vodiaceho držadla (2) podržte jednou rukou na najvyššom mieste a jemne ho nadvihnite (odľahčite).
- Zaisťovaciu páku (1) zatlačte nadol a podržte.

- Vodiace držadlo (2) preklopte smerom dopredu.

Pracovná pozícia (na tlačenia stroja):

- Vodiace držadlo (2) zaklopte smerom dozadu a dbajte pritom na to, aby sa úplne zaistilo.
- Štartovacie lanko zaveste na držiak lanka. (⇒ 7.5)

Nastavenie výšky:

Výška jednodielneho vodiaceho držadla sa dá nastaviť v dvoch krokoch:

- Horný diel vodiaceho držadla (2) podržte jednou rukou na najvyššom mieste a jemne ho nadvihnite (odľahčite).
- Zaisťovaciu páku (1) zatlačte nadol a podržte.
- Vodiace držadlo (2) nastavte do požadovanej polohy.
- Uvoľnite zaisťovaciu páku (1) a dbajte na to, aby vodiace držadlo opäť úplne zapadlo.

8.2 Sklopenie dvojdielneho vodiaceho držadla (RM 443, RM 443 T, RM 448 PT, RM 448 T, RM 448 TX)



Nebezpečenstvo úrazu privretím! Uvoľnením rýchlozáverov sa môže sklopiť horný diel vodiaceho držadla. Preto pri otváraní rýchlozáverov jednou rukou uchopte horný diel vodiaceho držadla (2) na najvyššom mieste.

Poloha pre prepravu (na čistenia stroja, priestorovo úspornú prepravu a uskladnenie stroja):

- Štartovacie lanko zveste z držiaka lanka. (⇒ 7.5)
- Otvorte rýchloúpinacie páky (1) – odklopením nadol – a horný diel vodiaceho držadla (2) preklopte dopredu.

Pracovná pozícia (na tlačenia stroja):

- Horný diel vodiaceho držadla (2) vyklopte smerom dozadu a podržte jednou rukou.
- Uzavrite rýchloúpinacie páky (1) (zaklapnutím nahor).
- Štartovacie lanko zaveste na držiak lanka. (⇒ 7.5)

8.3 Zberný kôš na trávu



Zavesenie:

- Otvorte a podržte vyhadzovaciu klapku (1).
- Upevňovacie výstupky zberného koša na trávu (2) zaveste do uloženia (3) na zadnej strane stroja.
- Uzavrite vyhadzovaciu klapku (1).

Zvesenie:

- Otvorte a podržte vyhadzovaciu klapku (1).
- Nadvihnite zberný kôš na trávu (2) a vyberte ho smerom dozadu.
- Uzavrite vyhadzovaciu klapku (1).

8.4 Centrálné nastavenie výšky kosenia



Nastaviť sa dá 6 rôznych výšok kosenia.

Stupeň 1 = 25 mm

Stupeň 6 = 75 mm

Nastavenie výšky kosenia:

- Uchopte držadlo (1) a páku (2) potiahnite nahor a podržte.
- Požadovanú výšku kosenia nastavte pohybom stroja nahor a nadol. Aktuálnu výšku kosenia možno zistiť podľa indikátora nastavenej výšky kosenia (3) na základe značenia (4).
- Zaisťovaciu páku (2) pomaly uvoľnite, aby zapadla.

8.5 Indikátor naplnenia



Na hornom diele zberného koša je umiestnený indikátor naplnenia (1).

Silný prúd vzduchu, ktorý vzniká rotáciou žacieho noža a slúži na plnenie zberného koša trávou, nadvihne indikátor naplnenia (2):

Zberný kôš na trávu sa začne plniť pokosenou hmotou.

Pri postupnom plnení zberného koša trávou sa intenzita prúdu vzduchu znižuje a indikátor naplnenia klesne (3):

- Vyprázdnite plný zberný kôš na trávu (⇒ 11.4).

9. Bezpečnostné zariadenia

Stroj je na zaistenie bezpečnej obsluhy a ochrany pred neoprávneným použitím vybavený mnohými bezpečnostnými zariadeniami.



Nebezpečenstvo úrazu!

Ak sa na niektorom bezpečnostnom zariadení zistí porucha, stroj sa nesmie uviesť do prevádzky. V takomto prípade sa obráťte na špecializovaného predajcu. Spoločnosť STIHL odporúča špecializovaného predajcu výrobkov STIHL.

9.1 Bezpečnostné zariadenia

Kosačka na trávu je vybavená bezpečnostnými zariadeniami, ktoré bránia neúmyselnému kontaktu žacieho noža s vyhadzovanou pokosenou hmotou. Tieto zariadenia zahŕňajú žaciu skriňu, vyhadzovaciu klapku, zberný kôš na trávu a správne namontované vodiace držadlo.

9.2 Páka pre zastavenie motora

Kosačka na trávu je vybavená zariadením na zastavenie motora.

Počas prevádzky sa po uvoľnení páky na zastavenie motora vypne spaľovací motor.

Spaľovací motor a nôž sa zastavia do 3 sekúnd.



Nebezpečenstvo poranenia!

Ak je čas dobehu noža dlhší, prestaňte stroj používať a odneste ho k predajcovi.

Meranie času dobehu

Po naštartovaní spaľovacieho motora sa nôž začne otáčať a možno počuť aerodynamický hluk. Čas dobehu zodpovedá času trvania aerodynamického hluku po vypnutí spaľovacieho motora. Možno ho odmerať pomocou stopiek.

10. Pokyny pre prácu

Pekný a hustý trávnik môžete dosiahnuť,

- keď budete pri kosení používať nižšiu rýchlosť jazdy,
- keď sa trávnik kosí často a udržuje sa v krátkom stave,
- keď sa trávnik nekosí v teplom a suchom počasí príliš nakrátko, aby vplyvom slnečného žiarenia nevysychal a aby sa nespálil,
- keď sa pracuje s ostrým žacím nožom, preto sa musia žacie nože nechať pravidelne nabrúsiť (v špecializovanej predajni),
- keď sa smer kosenia pravidelne mení.

10.1 Pracovný priestor obsluhy



- Pri spúšťaní spaľovacieho motora aj po jeho spustení sa musí obsluhujúci personál z bezpečnostných dôvodov zdržiavať iba vo vymedzenej pracovnej oblasti z vodiacim držadlom. Vždy dodržujte bezpečný odstup, ktorý je daný vodiacim držadlom stroja.
- Kosačku na trávu smie obsluhovať výlučne jedna osoba. Dbajte na to, aby sa v nebezpečnej oblasti v okolí stroja nezdržiavali žiadne iné osoby. (⇒ 4.)

11. Uvedenie stroja do prevádzky

11.1 Štartovanie spaľovacieho motora



Spaľovací motor neštartujte vo vysokej tráve. Pri sťaženom štartovaní nastavte vyššiu výšku kosenia.

Spaľovací motor má vďaka nastaveniu konštantného plynu hneď po naštartovaní vždy optimálne pracovné otáčky.

- Páku na zastavenie motora (1) pritlačte k držadlu a podržte.
- Štartovacie lanko (2) pomaly vyťahujte, až kým nepocítite odpor spôsobený kompresiou motora. Následne lanko silno a rýchlo potiahnite až na dĺžku natiahnutej ruky. Štartovacie lanko (2) znova pomaly zasuňte späť, aby sa mohlo opäť navinúť.
- Opakujte postup, kým spaľovací motor nenabehne.

11.2 Vypnutie spaľovacieho motora



- Ak chcete vypnúť spaľovací motor, uvoľnite páku pre zastavenie motora (1). Spaľovací motor a žací nôž sa po krátkej dobe dobehu úplne zastavia.

11.3 Pohon kolies (RM 443 T, RM 448 PC, RM 448 PT, RM 448 T, RM 448 TX, RM 448 TC, RM 448 VC)



Kosačky na trávnu RM 443 T, RM 448 PC, RM 448 PT, RM 448 T, RM 448 TX, RM 448 TC a RM 448 VC sú vybavené pohonom kolies.

RM 443 T, RM 448 PC, RM 448 PT, RM 448 T, RM 448 TX, RM 448 TC:

Jeden stupeň pre rýchlosť pohonu kolies vpred (1-stupňová prevodovka)

RM 448 VC:

Plynulo meniteľná rýchlosť pohonu kolies vpred počas jazdy (prevodovka Vario)

Zapnutie pohonu kolies:

- Naštartujte spaľovací motor. (⇒ 11.1)
- Páku pohonu kolies (1) pritiahnite k držadlu a podržte. Pohon kolies sa zapne a kosačka na trávnu sa začne pohybovať vpred.



Zabráňte poškodeniu stroja!

Páku pohonu kolies musíte vždy úplne pritlačiť (až na doraz), aby ste predišli následným škodám na prevodovke.

Nastavenie rýchlosti pohonu kolies (RM 448 VC):



Zabráňte poškodeniu stroja!

S pákou pohonu Vario (2) manipulujte iba vtedy, keď beží spaľovací motor.

- Zvýšenie rýchlosti jazdy: Páku pohonu Vario (2) zatlačte počas jazdy dopredu.
- Zníženie rýchlosti jazdy: Páku pohonu Vario (2) pritiahnite počas jazdy dozadu.



Vypnutie pohonu kolies:

- Uvoľníte páku pohonu kolies (1). Pohon kolies sa vypne a kosačka na trávnu sa zastaví. Spaľovací motor ostane zapnutý.

11.4 Vyprázdnenie zberného koša na trávnu



Nebezpečenstvo úrazu!

Pred zvesením zberného koša na trávnu sa musí z bezpečnostných dôvodov vždy vypnúť spaľovací motor.

- Zveste zberný kôš na trávnu. (⇒ 8.3)
- Zberný kôš na trávnu otvorte pomocou uzavieracej príločky (1). Horný diel zberného koša (2) vyklopte nahor a podržte. Zberný kôš na trávnu preklopte smerom dozadu a vyprázdnite pokosenú hmotu.
- Zatvorte zberný kôš na trávnu.
- Zaveste zberný kôš na trávnu. (⇒ 8.3)

12. Údržba

12.1 Všeobecne



Nebezpečenstvo úrazu!

Dodržujte bezpečnostné pokyny, uvedené v kapitole „Pre vašu bezpečnosť“ (⇒ 4.).

Ročná údržba u špecializovaného predajcu:

Kosačku na trávnu nechajte raz za rok skontrolovať u špecializovaného predajcu. Spoločnosť STIHL odporúča špecializovaného predajcu výrobkov STIHL.

12.2 Spaľovací motor

Interval údržby:

Prečítajte si návod na obsluhu spaľovacieho motora.

Všeobecné pokyny:

Dodržiavajte pokyny na obsluhu a údržbu uvedené v priloženom návode na obsluhu spaľovacieho motora.

S cieľom zaistiť dlhú životnosť stroja je zvlášť dôležitá dostatočná hladina oleja a takisto pravidelná výmena olejového a vzduchového filtra.

Informácie o predpísaných intervaloch výmeny oleja, ako aj o motorovom oleji a kapacite oleja získate tiež v návode na obsluhu spaľovacieho motora.

Chladiace rebrá musia byť vždy čisté s cieľom zaistiť dostatočné chladenie spaľovacieho motora.

12.3 Čistenie stroja

Interval údržby: po každom použití.

Starostlivé zaobchádzanie chráni stroj pred poškodením a predlžuje jeho prevádzkovú životnosť.





Nebezpečenstvo úrazu!

Vypnite spaľovací motor, snímte koncovku zapaľovacej sviečky a nechajte stroj vychladnúť. Pred umiestnením stroja do polohy na čistenie vyprázdňte palivovú nádrž (chodom naprázdno). Stroj stojí bezpečne v polohe na čistenie iba vtedy, ak je otvorená vyhadzovacia klapka.

- Zvoľte najvyšší stupeň kosenia. (⇒ 8.4)
- Zveste zberný kôš na trávu. (⇒ 8.3)

Poloha na čistenie RM 443, RM 443 T, RM 448 PT, RM 448 T, RM 448 TX:

- Podržte horný diel vodiaceho držadla (1) a otvorte rýchlopínacie páky – odklopením nadol.
- Horný diel vodiaceho držadla (1) uložte dozadu.
- Otvorte a podržte vyhadzovaciu klapku (2).
- Stroj vpredu nadvihnite a umiestnite do polohy na čistenie.

Poloha na čistenie RM 448 PC, RM 448 TC, RM 448 VC:

- Pri vyklápaní musíte stáť napravo od stroja.
- Presuňte horný diel vodiaceho držadla do najnižšej polohy (až na doraz, zaisťovacia páka sa v tejto polohe nezaistí). (⇒ 8.2)
- Pravou rukou otvorte a podržte vyhadzovaciu klapku (2).
- Podľa obrázka uchopte ľavou rukou konzolu a podržte vyhadzovaciu klapku. Súčasne palcom zatlačte a podržte zaisťovaciu páku (3).

- Pravou rukou chyťte stroj za prednú rukoväť a pomaly ho vyklopte dozadu, až kým sa nebude držadlo nachádzať na zemi (podľa znázornenia na obrázku).
- Uvoľnite vyhadzovaciu klapku (2) a zaisťovaciu páku (3) a skontrolujte bezpečné umiestnenie stroja.

Pokyny pre čistenie:

- Nečistoty odstráňte trochou vody a pomocou kefy alebo utierky. Pri čistení dbajte aj na žací nôž. Prúdom vody nikdy nestriekajte na časti spaľovacieho motora, tesnenia ani ložiská.
- Usadené zvyšky trávy vopred uvoľnite kúskom dreva.
- V prípade potreby použite špeciálny čistiaci prostriedok (napr. špeciálny čistiaci prostriedok značky STIHL).

12.4 Kontrola opotrebovania noža



Interval údržby: pred každým použitím



Nebezpečenstvo úrazu!

Podľa miesta použitia a intenzity namáhania sa môže opotrebovanie žacích nožov značne líšiť. Ak sa stroj často používa na piesočnatej pôde, resp. pri suchom počasí, dochádza k väčšiemu namáhaniu, a tým tiež k nadmernému opotrebovaniu noža. Opatrebovaný žací nôž sa môže zlomiť a tým spôsobiť ťažké úrazy. Preto je dôležité vždy dodržiavať pokyny na údržbu žacieho noža.

- Kosačku na trávu prevráťte do polohy na čistenie. (⇒ 12.3)

- Vyčistite žací nôž (1).
- Na prednú hranu noža priložte pravítko (1) a zmerajte zbrúsenie hrany **A**.
- Zmerajte šírku noža **B** pomocou posuvného meradla (2).
- Hrúbku noža **C** skontrolujte pomocou posuvného meradla (2) minimálne na 5 miestach. Minimálna hrúbka noža musí byť dodržaná predovšetkým aj v oblasti aerodynamických plôch noža.

Hranice opotrebovania:

Zbrúsenie **A**: < 15 mm

Šírka noža **B**: > 39 mm

Hrúbka noža **C**: > 2 mm

Nôž je potrebné vymeniť,

- ak je poškodený (ryhy, trhliny),
- ak namerané hodnoty na jednom alebo viacerých miestach dosiahli, resp. prekročili prípustné hranice.

Ak je na kosačke na trávu namontovaný Multi-nôž (dostupný ako zvláštne príslušenstvo), platia iné hranice opotrebovania (pozri návod na obsluhu príslušenstva).

12.5 Demontáž a montáž žacieho noža



Demontáž:

- Na pridržanie žacieho noža (2) použite vhodný drevený hranol (1).
- Vyskrutkujte skrutku noža (3). Vyberte žací nôž (2), skrutku noža (3) a poistnú podložku (4).

Montáž:



Nebezpečenstvo úrazu!

Žací nôž (2) možno namontovať len tak, ako je uvedené na obrázku. Lamely (7) musia smerovať nadol a dohora ohnuté krídla noža musia smerovať nahor.

Predpísaný uťahovací moment skrutky noža sa musí presne dodržať, pretože od toho závisí bezpečné upevnenie rezného nástroja. Skrutku noža (3) zaistíte navyše prostriedkom **Loctite 243**.

Poistnú podložku (4) je nutné vymeniť pri každej montáži noža a skrutku noža (3) je nutné vymeniť pri každej výmene noža za nový diel.

- Vyčistite dosadaciu plochu noža a puzdro noža.
- Žací nôž (2) namontujte s dohora ohnutými krídlami smerom nahor (ukazujúc k stroju). Upevňovacie výstupky (5) na puzdre noža musia zapadnúť do otvorov (6) žacieho noža.
- Na pridržanie žacieho noža (2) použite vhodný drevený hranol (1).
- Zaskrutkujte skrutku noža (3) s novou poistnou podložkou (4) a pevne ju utiahnite.
Uťahovací moment: **60 - 65 Nm**

12.6 Brúsenie žacieho noža

Spoločnosť STIHL odporúča prenechať brúsenie žacieho noža odborníkovi. Nesprávne nabrúsený nôž (nesprávny uhol ostria noža, nevyváženosť atď.) má negatívny vplyv na správnu funkciu stroja.

Návod na brúsenie:

- Odmontujte žací nôž (⇒ 12.5).
- Žací nôž sa musí pri brúsení chladiť, napr. vodou. Nesmie dôjsť k modrému zafarbeniu noža, znamenalo by to zníženie trvanlivosti ostria.
- Nože sa musia brúsiť rovnomerne, aby sa zabránilo vibráciám následkom nevyváženia.
- Dodržiavajte uhol ostria 30°.
- Po nabrúsení odihlite v prípade potreby reznú hranu noža jemným brúsny m papierom.
- Dbajte na hranice opotrebovania. (⇒ 12.4)

12.7 Uskladnenie a odstavenie stroja (zimná prestávka)

Stroj uskladnite v suchej, uzavretej a bezprašnej miestnosti. Zabezpečte, aby bol stroj uskladnený mimo dosahu detí.

Prípadné poruchy odstráňte ešte pred uskladnením. Stroj sa musí neustále nachádzať v bezpečnom prevádzkovom stave.

Pred uskladnením vyprázdňte palivovú nádrž a karburátor (napr. chodom naprázdno).

Pri uskladnení stroja na dlhší čas (zimná prestávka) musíte navyše dodržať nasledujúce pokyny:

- Dôkladne vyčistite všetky povrchové plochy stroja.
- Všetky pohyblivé diely dobre naolejujte, prípadne namažte tukom.

- Vyskrutkujte zapaľovaciu sviečku (prečítajte si návod na obsluhu spaľovacieho motora) a otvorom pre zapaľovaciu sviečku nalejte do spaľovacieho motora asi 3 cm³ motorového oleja. Spaľovací motor niekoľkokrát pretočte bez zapaľovacej sviečky (potiahnite štartovacie lanko).



Nebezpečenstvo požiaru!

Koncovku zapaľovacej sviečky uchovávajte mimo dosahu otvoru zapaľovacej sviečky (nebezpečenstvo požiaru).

- Znova naskrutkujte zapaľovaciu sviečku (prečítajte si návod na obsluhu spaľovacieho motora).
- Vymeňte olej (prečítajte si návod na obsluhu spaľovacieho motora).
- Zakryte spaľovací motor a stroj umiestnite do normálnej polohy.

13. Preprava stroja

13.1 Transportovanie stroja



Nebezpečenstvo poranenia!

Pred prepravou stroja dbajte na bezpečnostné pokyny uvedené v kapitole „Pre vašu bezpečnosť“. (⇒ 4.)

Pri preprave používajte vždy vhodné bezpečnostné pracovné oblečenie (pracovná obuv, pevné rukavice).

Pred zdvihnutím, resp. prenášaním stroja vždy snímte koncovku zapalovacej sviečky. Spoločnosť STIHL z bezpečnostných dôvodov odporúča, aby stroj dvíhali, resp. prenášali dve osoby. Pred dvíhaním rešpektujte hmotnosť stroja uvedenú v kapitole „Technické údaje“.

Prenášanie stroja

- Dve osoby:
Stroj zdvíhajte výlučne uchopením za prednú rukoväť (1) a vodiace držadlo (3). Vždy dodržiavajte dostatočnú vzdialenosť žacieho noža od tela, predovšetkým od chodidiel a nôh.
- Jedna osoba:
Stroj dvíhajte, resp. prenášajte uchopením jednou rukou v strede vrchného držadla (2) a druhou rukou ho uchopte za spodné držadlo (1).

Upevnenie stroja

- Stroj na ložnej ploche zaistíte proti zošmyknutiu vhodnými upínacími prostriedkami.
- Upínacie popruhy, resp. laná upevnite na označených miestach (4).

14. Ochrana životného prostredia



Pokosená tráva nepatrí na skládku smetí, ale je najvhodnejším materiálom na kompostovanie.

Obalové materiály, stroj a príslušenstvo sú vyrobené z recyklovateľných materiálov, tieto sa musia likvidovať podľa platných predpisov.

Triedený ekologický zber a likvidácia odpadových materiálov je základným predpokladom pre efektívnu recykláciu cenných surovín. Z tohto dôvodu sa musí stroj po ukončení bežnej technickej životnosti ako neupotrebiteľný odovzdať do zberu triedeného materiálu. Pri likvidácii stroja dodržujte pokyny, uvedené v kapitole „Likvidácia použitých materiálov“ (⇒ 4.9).

Pre získanie potrebných informácií o odbornej likvidácii odpadových materiálov sa obráťte na miestny recyklačný podnik alebo na špecializovaného predajcu.

15. Opatrenia na minimalizovanie opotrebovania a na zabránenie vzniku škôd

Dôležité pokyny na údržbu a ošetrovanie skupiny výrobkov

Benzínová kosačka na trávu (STIHL RM)

Firma STIHL v žiadnom prípade neručí za škody na zdraví alebo materiálne škody, ktoré boli spôsobené nedodržovaním bezpečnostných pokynov, predovšetkým pokynov týkajúcich sa bezpečnosti, obsluhy a údržby a použitím neschváleného príslušenstva alebo neschválených náhradných dielov.

Ak chcete predísť poškodeniu alebo nadmernému opotrebovaniu stroja STIHL, bezpodmienečne dodržiavajte nasledujúce dôležité pokyny:

1. Bežné spotrebné náhradné diely

Niektoré diely strojov STIHL podliehajú bežnému prevádzkovému opotrebeniu i pri predpísanom používaní, a preto sa tieto diely musia v závislosti od spôsobu a doby použitia vždy včas vymeniť.

Medzi tieto diely patrí napr.:

- žací nôž,
- zberný kôš na trávu,
- klinový remeň (RM 443 T, RM 448 PC, RM 448 PT, RM 448 T, RM 448 TC, RM 448 TX, RM 448 VC).

2. Dodržovanie pokynov uvedených v tomto návode na obsluhu

Používanie, údržba a uskladnenie stroja STIHL musí prebiehať tak dôkladne, ako je popísané v tomto návode na obsluhu. Za všetky škody, ku ktorým došlo následkom

nedodržania bezpečnostných pokynov a pokynov pre obsluhu a údržbu, zodpovedá sám užívateľ.

To platí predovšetkým pre:

- úpravy výrobku, ktoré neboli schválené spoločnosťou STIHL,
- používanie prevádzkových hmôt (mazivo, benzín pre spaľovací motor a motorový olej, pozrite si údaje výrobcu spaľovacieho motora), ktoré neschválila spoločnosť STIHL,
- používanie náradia a príslušenstva, ktoré nie je pre stroj schválené, vhodné alebo je kvalitatívne nevyhovujúce,
- používanie výrobku v rozpore s predpísaným určením,
- používanie výrobku na športové alebo súťažné akcie,
- následné škody, ktoré vznikli ďalším používaním výrobku s chybnými súčiastkami.

3. Údržbárske práce

Všetky práce uvedené v odstavci „Údržba“ sa musia vykonávať pravidelne, podľa predpísaných intervalov.

Pokiaľ tieto údržbárske práce nemôže vykonať sám užívateľ, musí tým poveriť špecializovaného predajcu.

Spoločnosť STIHL odporúča nechať vykonávať všetky údržbárske práce a opravy len u špecializovaného predajcu STIHL.

Odborní predajcovia STIHL budú pravidelne ponúkať školenia a poskytovať technické informácie.

Zanedbaním týchto prác môžu vzniknúť škody, za ktoré zodpovedá sám užívateľ.

K tomu patria okrem iného:

- korózia a iné škody, spôsobené následkom neodborného uskladnenia,
- škody na stroji spôsobené použitím nekvalitných náhradných dielov,
- škody v dôsledku neskorého alebo nedostatočne vykonanej údržby, resp. v dôsledku údržbárskych prác alebo opráv, ktoré nevykonala servis špecializovaného predajcu.

16. Bežné náhradné diely

Žací nôž RM 443, RM 443 T:

6338 702 0100

Žací nôž RM 448 PC, RM 448 PT, RM 448 T, RM 448 TC, RM 448 TX, RM 448 VC:

6358 702 0100

Skrutka noža:

9008 319 9028

Poistná podložka:

0000 702 6600



Upevňovacie prvky žacieho noža (napr. skrutka noža) sa musia pri výmene noža, resp. pri montáži noža tiež vymeniť. Náhradné diely sú k dispozícii u špecializovaného predajcu výrobkov STIHL.

17. Prehlásenie o zhode výrobcom - EÚ

17.1 Benzínová kosačka na trávu (STIHL RM)

STIHL Tirol GmbH
Hans-Peter-Stihl-Straße 5
6336 Langkampfen
Rakúsko

týmto zodpovedne prehlasuje, že stroj

Kosačka na trávu so spaľovacím motorom (STIHL RM) a ručným ovládaním

Výrobná značka:	STIHL
Sériové identifikačné číslo:	6338
Typ:	RM 443.0 RM 443.0 T

Sériové identifikačné číslo:	6358
Typ:	RM 448.0 PC RM 448.0 PT RM 448.0 T RM 448.0 TC RM 448.0 TX RM 448.0 VC

spĺňa požiadavky týchto smerníc EÚ: 2011/65/EU, 2000/14/EC, 2014/30/EU, 2006/42/EC

Vývoj a konštrukcia tohto výrobku prebiehala v súlade s týmito normami: EN ISO 5395-1, EN ISO 5395-2, EN 14982

Pri vývoji a výrobe produktov platia vždy verzie noriem platné k dátumu výroby.

Použitá metodika hodnotenia zhodnosti výroby:

Dodatok VIII (2000/14/EC)

Názov a adresa sídla účastníkov konania:

TÜV Rheinland LGA Products GmbH
Tillystraße 2
D-90431 Nürnberg

Zostavenie a uloženie technickej dokumentácie:

Sven Zimmermann
STIHL Tirol GmbH

Rok výroby a číslo stroja sú uvedené na výkonovom štítku stroja.

Nameraná hladina akustického výkonu:

RM 443.0	93,0 dB(A)
RM 443.0 T	93,0 dB(A)
RM 448.0 PC	95,3 dB(A)
RM 448.0 PT	95,3 dB(A)
RM 448.0 T	95,7 dB(A)
RM 448.0 TC	95,7 dB(A)
RM 448.0 TX	95,3 dB(A)
RM 448.0 VC	95,3 dB(A)

Garantovaná hladina akustického výkonu:

RM 443.0	94 dB(A)
RM 443.0 T	94 dB(A)
RM 448.0 PC	96 dB(A)
RM 448.0 PT	96 dB(A)
RM 448.0 T	96 dB(A)
RM 448.0 TC	96 dB(A)
RM 448.0 TX	96 dB(A)
RM 448.0 VC	96 dB(A)

Langkampfen,
2019-01-02 (RRRR-MM-DD)

STIHL Tirol GmbH

v zastúpení



Sven Zimmermann

Vedúci konštruktívneho oddelenia

18. Technické údaje

RM 443.0, RM 443.0 T, RM 448.0 PC, RM 448.0 PT, RM 448.0 T, RM 448.0 TC, RM 448.0 TX, RM 448.0 VC:

Spaľovací motor, typ	4-taktný spaľovací motor
Štartovací mechanizmus	Štartovacie lanko
Rezné zariadenie	Rotačný nôž
Pohon rotačného noža	trvalý
Uťahovací moment skrutky noža	60 - 65 Nm
Bezpečnostné zariadenie	Zastavenie motora
Priemer kolies vpredu	180 mm
Priemer kolies vzadu	200 mm
Kapacita zberného koša na trávu	55 l
Výška kosenia	25 - 75 mm

RM 443.0, RM 443.0 T:

Sériové identifikačné číslo	6338
Šírka záberu pri kosení:	41 cm

RM 443.0:

Spaľovací motor: Výrobca, typ	Briggs & Stratton, Series 550 EX OHV RS
----------------------------------	---

Zdvihový objem	140 cm ³
Menovitý výkon pri menovitých otáčkach	2,1 - 2800 kW - ot./min.
Palivová nádrž	0,8 l
Otáčky rotačného noža	2800 ot./min.
Pohon kolies	nie
Dĺžka	144 cm
Šírka	49 cm
Výška	109 cm
Hmotnosť	23 kg

Emisie hluku

Podľa smernice 2000/14/EC:

Zaručená hladina
akustického výkonu
 L_{WA} 94 dB(A)

Podľa smernice 2006/42/EC:

Hladina akustického
tlaku na pracovisku
 L_{pA} 81 dB(A)

Tolerancia K_{pA} 2 dB(A)

Vibrácie na rukách/ramenách

Uvedená charakteristická hodnota vibrácií
podľa EN 12096:

Nameraná hodnota
 a_{hw} 4,10 m/s²
Tolerancia K_{hw} 2,05 m/s²
Meranie podľa EN 20643

RM 443.0 T:

Spaľovací motor: Briggs &
Výrobca, typ Stratton, Series
550 EX OHV RS

Zdvihový objem 140 cm³
Menovitý výkon pri
menovitých otáčkach 2,1 - 2800
kW - ot./min.
Palivová nádrž 0,8 l
Otáčky rotačného
noža 2800 ot./min.
Pohon kolies 1-stupňový
pohon dopredu
s pozvoľným
rozbehom

Dĺžka 144 cm
Šírka 48 cm
Výška 109 cm
Hmotnosť 25 kg

Emisie hluku

Podľa smernice 2000/14/EC:

Zaručená hladina
akustického výkonu
L_{WAd} 94 dB(A)

Podľa smernice 2006/42/EC:

Hladina akustického
tlaku na pracovisku
L_{pA} 81 dB(A)
Tolerancia K_{pA} 2 dB(A)

Vibrácie na rukách/ramenách

Uvedená charakteristická hodnota vibrácií
podľa EN 12096:

Nameraná hodnota
a_{hw} 4,10 m/s²
Tolerancia K_{hw} 2,05 m/s²

Meranie podľa EN 20643

**RM 448.0 PC, RM 448.0 PT, RM 448.0 T,
RM 448.0 TC, RM 448.0 TX,
RM 448.0 VC:**

Sériové identifikačné
číslo 6358

Šírka záberu pri
kosení 46 cm

RM 448.0 PC:

Spaľovací motor: Briggs &
Výrobca, typ Stratton, Series
625

Zdvihový objem 150 cm³
Menovitý výkon pri
menovitých otáčkach 2,2 - 2800
kW - ot./min.
Palivová nádrž 0,8 l
Otáčky rotačného
noža 2800 ot./min.
Pohon kolies 1-stupňový
pohon dopredu
s pozvoľným
rozbehom

Dĺžka 147 cm
Šírka 50 cm
Výška 113 cm
Hmotnosť 27 kg

Emisie hluku

Podľa smernice 2000/14/EC:

Zaručená hladina
akustického výkonu
L_{WAd} 96 dB(A)

Podľa smernice 2006/42/EC:

Hladina akustického
tlaku na pracovisku
L_{pA} 83 dB(A)
Tolerancia K_{pA} 2 dB(A)

Vibrácie na rukách/ramenách

Uvedená charakteristická hodnota vibrácií
podľa EN 12096:

Nameraná hodnota
a_{hw} 3,00 m/s²
Tolerancia K_{hw} 1,50 m/s²

Meranie podľa EN 20643

RM 448.0 PT:

Spaľovací motor: Briggs &
Výrobca, typ Stratton, Series
625

Zdvihový objem 150 cm³
Menovitý výkon pri
menovitých otáčkach 2,2 - 2800
kW - ot./min.
Palivová nádrž 0,8 l
Otáčky rotačného
noža 2800 ot./min.
Pohon kolies 1-stupňový
pohon dopredu
s pozvoľným
rozbehom

Dĺžka 147 cm
Šírka 50 cm
Výška 111 cm
Hmotnosť 27 kg

Emisie hluku

Podľa smernice 2000/14/EC:

Zaručená hladina
akustického výkonu
L_{WAd} 96 dB(A)

Podľa smernice 2006/42/EC:

Hladina akustického
tlaku na pracovisku
L_{pA} 83 dB(A)
Tolerancia K_{pA} 2 dB(A)

Vibrácie na rukách/ramenách

Uvedená charakteristická hodnota vibrácií
podľa EN 12096:

Nameraná hodnota
a_{hw} 3,90 m/s²
Tolerancia K_{hw} 1,95 m/s²

Meranie podľa EN 20643

RM 448.0 T:

Spaľovací motor: Briggs &
Výrobca, typ Stratton, Series
575

Zdvihový objem 140 cm³

Menovitý výkon pri menovitých otáčkach	2,1 - 2800 kW - ot./min.
Palivová nádrž	0,8 l
Otáčky rotačného noža	2800 ot./min.
Pohon kolies	1-stupňový pohon dopredu s pozvoľným rozbehom
Dĺžka	147 cm
Šírka	50 cm
Výška	111 cm
Hmotnosť	26 kg

Emisie hluku

Podľa smernice 2000/14/EC:	
Zaručená hladina akustického výkonu	
L_{WA}	96 dB(A)
Podľa smernice 2006/42/EC:	
Hladina akustického tlaku na pracovisku	
L_{pA}	83 dB(A)
Tolerancia K_{pA}	2 dB(A)

Vibrácie na rukách/ramenách

Uvedená charakteristická hodnota vibrácií podľa EN 12096:	
Nameraná hodnota	
a_{hw}	3,90 m/s ²
Tolerancia K_{hw}	1,95 m/s ²
Meranie podľa EN 20643	

RM 448.0 TC:

Spaľovací motor:	Briggs & Stratton, Series 575
Výrobca, typ	
Zdvihový objem	140 cm ³
Menovitý výkon pri menovitých otáčkach	2,1 - 2800 kW - ot./min.
Palivová nádrž	0,8 l

Otáčky rotačného noža	2800 ot./min.
Pohon kolies	1-stupňový pohon dopredu s pozvoľným rozbehom
Dĺžka	147 cm
Šírka	50 cm
Výška	113 cm
Hmotnosť	27 kg

Emisie hluku

Podľa smernice 2000/14/EC:	
Zaručená hladina akustického výkonu	
L_{WA}	96 dB(A)
Podľa smernice 2006/42/EC:	
Hladina akustického tlaku na pracovisku	
L_{pA}	83 dB(A)
Tolerancia K_{pA}	2 dB(A)

Vibrácie na rukách/ramenách

Uvedená charakteristická hodnota vibrácií podľa EN 12096:	
Nameraná hodnota	
a_{hw}	3,50 m/s ²
Tolerancia K_{hw}	1,75 m/s ²
Meranie podľa EN 20643	

RM 448.0 TX:

Spaľovací motor:	Briggs & Stratton, Series 550 EX OHV RS
Výrobca, typ	
Zdvihový objem	140 cm ³
Menovitý výkon pri menovitých otáčkach	2,1 - 2800 kW - ot./min.
Palivová nádrž	0,8 l
Otáčky rotačného noža	2800 ot./min.

Pohon kolies	1-stupňový pohon dopredu s pozvoľným rozbehom
Dĺžka	147 cm
Šírka	50 cm
Výška	111 cm
Hmotnosť	26 kg

Emisie hluku

Podľa smernice 2000/14/EC:	
Zaručená hladina akustického výkonu	
L_{WA}	96 dB(A)
Podľa smernice 2006/42/EC:	
Hladina akustického tlaku na pracovisku	
L_{pA}	83 dB(A)
Tolerancia K_{pA}	2 dB(A)

Vibrácie na rukách/ramenách

Uvedená charakteristická hodnota vibrácií podľa EN 12096:	
Nameraná hodnota	
a_{hw}	4,10 m/s ²
Tolerancia K_{hw}	2,05 m/s ²
Meranie podľa EN 20643	

RM 448.0 VC:

Spaľovací motor:	Briggs & Stratton, Series 625
Výrobca, typ	
Zdvihový objem	150 cm ³
Menovitý výkon pri menovitých otáčkach	2,2 - 2800 kW - ot./min.
Palivová nádrž	0,8 l
Otáčky rotačného noža	2800 ot./min.
Pohon kolies	Vario, predné
Dĺžka	147 cm
Šírka	50 cm

Výška	113 cm
Hmotnosť	28 kg

Emisie hluku

Podľa smernice 2000/14/EC:

Zaručená hladina akustického výkonu	
$L_{WA,d}$	96 dB(A)

Podľa smernice 2006/42/EC:

Hladina akustického tlaku na pracovisku	
L_{pA}	83 dB(A)
Tolerancia K_{pA}	2 dB(A)

Vibrácie na rukách/ramenách

Uvedená charakteristická hodnota vibrácií podľa EN 12096:

Nameraná hodnota	
a_{hw}	3,00 m/s ²
Tolerancia K_{hw}	1,50 m/s ²

Meranie podľa EN 20643

18.1 REACH

REACH označuje nariadenie EÚ na registráciu, zhodnocovanie a schvaľovanie chemikálií.

Informácie o spĺňaní nariadení REACH (EÚ) č. 1907/2006 sú uvedené na stránke www.stihl.com/reach.

19. Hľadanie porúch

✂ prípadne vyhľadajte špecializovaného predajcu. Spoločnosť STIHL odporúča špecializovaného predajcu výrobkov STIHL.

📖 Prečítajte si návod na obsluhu spaľovacieho motora.

Porucha:

Spaľovací motor sa nenašartuje.

Možná príčina:

- Nie je stlačená páka pre zastavenie motora.
- V nádrži nie je palivo; upchaté palivové potrubie.
- Nevhodné, znečistené alebo staré palivo v nádrži.
- Znečistený vzduchový filter.
- Koncovka zapaľovacej sviečky nie je nasunutá na zapaľovaciu sviečku, kábel zapaľovania je na koncovke nesprávne upevnený.
- Zapaľovacia sviečka je zanesená alebo poškodená, nesprávna vzdialenosť elektród.

Odstránenie:

- Páku pre zastavenie motora pritlačte k držadlu a podržte. (⇒ 9.2)
- Doplnite palivo, vyčistite palivové potrubie. ✂
- Používajte vždy čerstvé značkové palivo, bezolovnatý benzín, vyčistite karburátor. ✂
- Vyčistite vzduchový filter. ✂
- Nasuňte koncovku zapaľovacej sviečky, skontrolujte správny kontakt kábla zapaľovania a koncovky. ✂
- Vyčistite alebo vymeňte zapaľovaciu sviečku, nastavte vzdialenosť elektród. ✂

Porucha:

Sťažené štartovanie alebo pokles výkonu spaľovacieho motora.

Pravdepodobná príčina:

- Upchatá skriňa kosačky.
- Kosenie s príliš nízkou úrovňou kosenia, resp. rýchlosť pojazdu je príliš vysoká vzhľadom na danú výšku kosenia.

- Voda v palivovej nádrži a v karburátore, upchatý karburátor.
- Znečistená palivová nádrž.
- Znečistený vzduchový filter.
- Zanesená zapaľovacia sviečka.

Odstránenie:

- Vyčistite skriňu kosačky. (Pri čistení snímte koncovku zapaľovacej sviečky!) (⇒ 12.3)
- Nastavte vyššiu úroveň kosenia, resp. znížte rýchlosť pojazdu. (⇒ 8.4)
- Vyprázdnite palivovú nádrž, vyčistite palivové potrubie a karburátor. ✂
- Vyčistite palivovú nádrž. ✂
- Vyčistite vzduchový filter. ✂
- Vyčistite zapaľovaciu sviečku. ✂

Porucha:

Spaľovací motor sa veľmi zahrieva.

Pravdepodobná príčina:

- Príliš málo oleja v spaľovacom motore.
- Znečistené chladiace rebrá.

Odstránenie:

- Vymeňte motorový olej. (⇒ 7.6)
- Vyčistite chladiace rebrá. (⇒ 12.3)

Porucha:

Silné vibrácie počas prevádzky.

Pravdepodobná príčina:

- Chybná rezná jednotka.
- Uvoľnené upevnenie spaľovacieho motora.

Odstránenie:

- Skontrolujte žací nôž, hriadeľ noža a upevnenie noža (skrutku noža a poistnú podložku) a v prípade potreby opravte. ✂
- Dotiahnite skrutky upevnenia spaľovacieho motora. ✂

Porucha:


Nerovný rez, trávnik žltne.

Pravdepodobná príčina:

- Tupý alebo opotrebovaný žací nôž

Odstránenie:

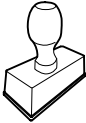
- Nabrúste alebo vymeňte nôž (⇒ 12.6), (⇒ 12.5), ✂

 Servis vykonaný dňa

 Dátum nasledujúceho servisu

20. Servisný plán

20.1 Potvrdenie o prevzatí

Model:	_____
Sériové číslo:	<input type="text"/> <input type="text"/> <input type="text"/> <input type="text"/> <input type="text"/> <input type="text"/> <input type="text"/> <input type="text"/> <input type="text"/>
Dátum:	<input type="text"/> <input type="text"/> <input type="text"/> <input type="text"/> <input type="text"/> <input type="text"/>
	
Ďalší servis	
Dátum:	<input type="text"/> <input type="text"/> <input type="text"/> <input type="text"/> <input type="text"/> <input type="text"/>

20.2 Potvrdenie o vykonaní servisných prác



Tento návod na obsluhu dajte špecializovanému predajcovi výrobkov STIHL pri vykonávaní údržbárskych prác. Do predtlačенých polí poskytnite potvrdenie o vykonaní servisných prác.

Sayın Müşterimiz,

STIHL ürünlerini tercih ettiğinizden dolayı teşekkür ederiz. Ürünlerimizi, müşterilerimizin talepleri ve istekleri doğrultusunda yüksek kalite ile geliştiriyor ve üretiyoruz. Bu sayede ekstrem şartları yerine getiren ve yüksek derecede güvenilir ürünler geliştirilmektedir.

STIHL markası aynı zamanda, alanında da yüksek kalite sunar. Bayilerimizden ve ihtisas mağazalarından ürünlerimizin kullanımı ve teknik özellikleri hakkında detaylı bilgi alabilirsiniz.

Ürünlerimize göstermiş olduğunuz güvenden dolayı teşekkür eder STIHL ürünlerimiz ile iyi çalışmalar dileriz.

Dr. Nikolas Stihl

ÖNEMLİ: KULLANIMDAN ÖNCE KILAVUZU OKUYUN VE SAKLAYIN.

1. İçindekiler

Kullanım kılavuzu hakkında	58
Genel	58
Kullanım kılavuzunu okuma talimatı	58
Cihazın tarifi	58
Güvenliğiniz için	59
Genel	59
Benzin doldurma - Benzinle çalışma	60
Kıyafet ve donanım	60
Cihazın taşınması	60
Çalışmadan önce	61
Çalışma esnasında	61
Bakım ve Onarımlar	63
Uzun süreli çalışma aralarında saklama	64
İmha	64
Sembol açıklamaları	65
Teslimat kapsamı	65
Cihazın çalışmaya hazır hale getirilmesi	66
Genel	66
Tekli gidonun monte edilmesi (RM 448 PC, RM 448 TC, RM 448 VC)	66
İkili gidonun monte edilmesi (RM 443, RM 443 T, RM 448 PT, RM 448 T, RM 448 TX)	66
Çim toplama sepetinin montajı	66
Marş motoru ipinin takılması ve çıkarılması	66
Yakıt ve motor yağı	67
Kullanma elemanları	67
Tekli gidonun ayarlanması (RM 448 PC, RM 448 TC, RM 448 VC)	67
İkili gidonu katlayın (RM 443, RM 443 T, RM 448 PT, RM 448 T, RM 448 TX)	67
Çim toplama sepeti	68
Merkezi kesim yüksekliği ayarı	68
Doluluk seviyesi göstergesi	68
Güvenlik tesisatları	68
Koruma tertibatları	68
Motor durdurma kolu	68
Çalışmaya yönelik uyarılar	68
Kullanıcının çalışma alanı	69
Cihazın çalıştırılması	69
Benzinli motoru çalıştırma	69
Benzinli motoru durdurun	69
Tekerlek tahriki (RM 443 T, RM 448 PC, RM 448 PT, RM 448 T, RM 448 TX, RM 448 TC, RM 448 VC)	69
Çim toplama sepeti boşaltımı	69
Bakım	69
Genel	69
Yanmalı motor	70
Cihazın temizlenmesi	70
Bıçak aşınması kontrolü	70
Çim biçme bıçağının sökülmesi ve takılması	71
Biçme bıçağının bilenmesi	71
Saklama ve uzun süreli mola (kış molası)	71
Nakliye	72
Nakliye	72
Çevre koruma	72
Aşınmanın en aza indirgenmesi ve hasar oluşumunun önlenmesi	72
Sık kullanılan yedek parçalar	73

EU Uygunluk Beyanı	73
Benzin motorlu çim biçme makinesi (STIHL RM)	73
STIHL Yönetim merkezi adresi	74
STIHL Dağıtım şirketleri adresleri	74
STIHL İthalatçılar adresleri	74
Teknik veriler	74
REACH	77
Hata arama	77
Servis planı	78
Teslimat onayı	78
Servis onayı	78

2. Kullanım kılavuzu hakkında

2.1 Genel

Bu kullanım kılavuzu üreticinin EG yönergesi 2006/42/EC'ye ilişkin **Orijinal Kullanım Kılavuzudur**.

STIHL, ürün yelpazesini geliştirme çalışmalarına kesintisiz olarak devam etmektedir, bu nedenle teslimat kapsamında biçim, teknik ve donanım yönünden değişiklik yapma hakkı saklıdır. Bu kitapçıkta bilgiler ve resimler hiçbir talep hakkı doğurmayacaktır.

Kullanım kılavuzunda her ülkede mevcut olmayan modeller de yer almaktadır.

Bu kullanım kılavuzu telif haklarıyla korunmuştur. Tüm hakları saklıdır, özellikle elektronik sistemlerle çoğaltma, çeviri ve işleme hakkı.

2.2 Kullanım kılavuzunu okuma talimatı

Resimler ve metinler, belirli kullanım adımlarını tarif eder.

Cihaz üzerinde bulunan tüm semboller bu kullanım kılavuzunda açıklanır.

Bakış yönü:

Kullanım kılavuzundaki "sol" ve "sağ" kavramları için bakış yönü: Kullanıcı cihazın arkasında durur ve sürüş yönünde ileri bakar.

Bölüm yönlendirme:

Diğer açıklamaların yer aldığı bölümlere ve alt bölümlere bir ok işareti ile yönlendirme yapılmıştır. Aşağıdaki örnekte bir bölüme yönlendirme gösterilmektedir: (⇒ 4.)

Metin bölümlerine ait işaretler:

Tanımlanan talimatlar takipteki örnekte belirtildiği gibi olabilir.

Kullanıcının müdahalesini gerektiren kullanım adımları:

- Cıvataı (1) bir cıvata sökücü ile çözünüz, kolu (2) tetikleyiniz ...

Genel sıralamalar:

- Ürünün spor veya yarışma gibi faaliyetlerde kullanılması

Ek anlamlı metinler:

Ek anlamlı metin bölümleri, devamında tarif edilen sembollerden biriyle işaretlenerek vurgulanmıştır.



Tehlike!

Kişiler için kaza ve ağır yaralanma tehlikesi. Belirli bir davranış şekli gereklidir veya yasaklanmıştır.



Uyarı!

Şahıslar için yaralanma tehlikesi. Belirli bir davranış, olası yaralanmaları önleyecektir.



Dikkat!

Belirli bir davranışla önlenilecek hafif yaralanmalar ve/veya maddi hasarlar.



Bilgi

Cihazdan daha fazla fayda sağlanması ve olası kullanım hatalarının önlenmesi için verilen bilgilerdir.

Resim açıklamalı metinler:

Cihazın kullanımını açıklayan resimleri, kullanım kılavuzunun en başında bulabilirsiniz.

Bu kamera sembolü, resim sayfasındaki resimlerin kullanım kılavuzundaki ilgili metinlerle eşleştirilmesini sağlamaktadır.



3. Cihazın tanımı



- 1 Motor durdurma kolu
- 2 Tekerlek tahriği kelepçesi (RM 443 T, RM 448 PC, RM 448 PT, RM 448 T, RM 448 TX, RM 448 TC, RM 448 VC)
- 3 Vario-tahrik kolu (RM 448 VC)
- 4 Gidon üst parçası
- 5 Marş motoru ipi
- 6 Hızlı gergi (RM 443, RM 443 T, RM 448 PT, RM 448 T, RM 448 TX)
- 7 Gidon alt parçası (RM 443, RM 443 T, RM 448 PT, RM 448 T, RM 448 TX)
- 8 Benzinli motor
- 9 Koruma ızgaralı susturucu
- 10 Buji soketi

- 11 Tutamak ön
- 12 Ön tekerlek
- 13 Arka tekerlek
- 14 Çim toplama sepeti
- 15 Tutamak arka
- 16 Kesim yüksekliği ayar kolu
- 17 Makine numarasına sahip güç plakası
- 18 Gidon konsolu (RM 448 PC, RM 448 TC, RM 448 VC)
- 19 Gidon geçme kolu (RM 448 PC, RM 448 TC, RM 448 VC)

4. Güvenliğiniz için

4.1 Genel



Cihaz ile yapılan çalışmalarda kaza önleyici kurallara kesinlikle uyunuz.



Cihaz ilk kez çalıştırılmadan önce kullanım kılavuzunun tamamı dikkatle okunmalıdır. Kullanım kılavuzunu daha

sonraki kullanımlar için dikkatle saklayınız.

Ayrıca verilmiş benzinli motor kullanım kılavuzunda yer alan kullanım ve bakım uyarılarına dikkat ediniz.

Bu önlemlerin alınması, güvenliğinizi için şarttır, fakat liste eksiksiz değildir. Cihazı daima dikkatli bir şekilde ve sorumluluk bilinciyle kullanınız ve diğer kişilerin veya bu kişilere ait nesnelere zarar görmesine yol açan kazalarda tüm sorumluluğun makine sürücüsüne veya kullanıcıya ait olduğunu unutmayınız.

Kumanda parçaları ve makine kullanımını hakkında bilgi edinin.

Cihaz sadece cihazın kullanımını bilen ve kullanım kılavuzunu okumuş olan kişiler tarafından kullanılmalıdır. İlk kullanımdan önce her kullanıcı, konuya özgü ve uygulamaya yönelik eğitimler/bilgiler almaya gayret etmelidir. Cihazın nasıl kullanılacağı hakkında satıcınızdan veya bir uzmandan bilgi alın.

Bu eğitimde, cihaz ile çalışma sırasında özellikle özen ve konsantrasyonun ne kadar önemli olduğu hakkında kullanıcı bilgilendirilmelidir.

Cihazı kurallara uygun yapıda kullanıyor olsanız da risk olasılıkları halen mevcuttur.



Boğulma nedeniyle hayati tehlike!

Ambalaj malzemesiyle oynayan çocukların boğulma tehlikesi vardır. Ambalaj malzemesini çocuklardan kesinlikle uzak tutun.

Cihazı ve tüm ilave parçaları sadece bu modeli taniyan ve kullanımını bilen kişilere veriniz ve/veya ödünç veriniz. Kullanım kılavuzu cihazın bir parçasıdır ve birlikte verilmesi gerekmektedir.

Cihaz, ancak kişi iyice dinlenmişken, ruhsal ve fiziksel açıdan iyi durumdayken çalıştırılmalıdır. Eğer sağlığınızla ilgili bir sorunuz varsa, cihazla çalışmanızın mümkün olup olmadığına dair doktorunuza danışın. Alkol, tepki kabiliyetini etkileyen ilaç veya uyuşturucu kullanımından sonra cihaz ile çalışılmamalıdır.

Çocukların, kısıtlı bedensel, duygusal veya ruhsal yeteneklere sahip kişilerin, yeterli deneyim ve bilgi sahibi olmayan kişilerin ya da talimatları bilmeyen kişilerin asla cihazı kullanmasına izin verilmemelidir.

Çocukların veya 16 yaşın altındaki gençlerin cihazı kullanmasına kesinlikle izin vermeyiniz. Asgari kullanıcı yaşı yerel düzenlemelerle belirlenmiş olabilir.

Cihaz şahsi kullanım için tasarlanmıştır.

Dikkat - Kaza tehlikesi!

Çim biçme makinesi sadece çim biçmek için üretilmiştir. Makinenin başka bir amaçla kullanılması tehlikeli olabileceğinden veya cihazda hasara yol açabileceğinden yasaktır.

Kullanıcı için tehlike teşkil edeceğinden çim biçme makinesi aşağıdaki gibi durumlarda kullanılmamalıdır (sıralama bütün olası durumları içermez):

- Çalılıkların, çitlerin ve küçük ağaçların traşlanması,
- Fidan kesimi,
- Çatıdaki ve balkondaki çimlerin bakımı,
- Ağaç ve kesilmiş çit parçalarının doğranması ve öğütülmesi,
- Yol temizliği (emdirme, üfleme),
- Arazideki köstebek yuvaları gibi engebelerin düzeltilmesi.
- Kesilen çimin, bunun için öngörülmüş çim toplama sepetinin haricinde taşınması.

STIHL tarafından izin verilen aksesuarların yetkili kişilerce montajı hariç, cihaz üzerinde yapılan her değişiklik güvenlik nedenleriyle yasaktır, ayrıca bu garanti anlaşmasının iptal olmasına neden olur. İzin verilmiş aksesuarlar hakkında yetkili STIHL bayinizden bilgi edinebilirsiniz.

Cihazda özellikle performansı ya da yanmalı motorun ve/veya elektro motorun devrini etkileyen her tür değişiklik yasaktır.

Cihaz ile eşya, hayvan, kişi ve özellikle de çocukların taşınması yasaktır.

Açık alanlarda, parklarda, spor stadyumlarında, sokaklarda ve ormancılık ve ziraat alanlarında kullanırken dikkatli işletim son derece önemlidir.



Dikkat! Titreşim sebebiyle sağlık için tehlike! Aşırı titreşim, özellikle dolaşım problemi olan kişilerde kan

dolaşımının veya sinirlerin zarar görmesine sebep olabilir. Titreşim sebebiyle oluşabilecek belirtilerin ortaya çıkması durumunda doktora başvurun. Parmaklarda, ellerde veya bileklerde ortaya çıkan bu tür belirtiler arasında şunlar yer alır (sıralama bütün olası belirtileri içermez):

- His kaybı,
- Ağrı,
- Kas zayıflığı,
- Ciltte renk değişimi,
- Rahatsızlık veren karıncalanma.

Çalışma sırasında gidonu iki elinizle ön görülen noktalardan sıkıca ancak çok fazla kasılmadan tutun.

Çalışma sürelerini, uzun çalışma süresi neticesinde yüksek ölçüde yüklenme olmayacak yapıda planlayın.

4.2 Benzin doldurma - Benzinle çalışma



Hayati tehlike!

Benzin zehirli ve yüksek derecede yanıcıdır.

Benzini daima bunun için öngörülen ve test edilip onaylanmış kaplarda (bidonlar) saklayınız. Benzin deposu kapaklarını

daima doğru vidalayınız ve sıkınız. Hasarlı kapaklar güvenlik nedeniyle değiştirilmelidir.

İşletim maddelerinin saklanması veya imhasında asla içecek kutuları veya benzeri cisimler kullanmayınız örn. yakıt. Bunun içindeki maddeler başka kişiler, özellikle de çocuklar, tarafından içilebilir.



Benzini kıvılcımdan, açık ateşten, sürekli yanan ateşten, sıcaklık kaynaklarından ve diğer ateş kaynaklarından uzak tutunuz. Sigara içmeyiniz!

Sadece açık alanda benzin doldurunuz ve dolmuş esnasında sigara içmeyiniz.

Benzin doldurmadan önce benzinli motoru durdurunuz ve soğumasını bekleyiniz.

Benzin, benzinli motor çalıştırılmadan önce doldurulmalıdır. Benzinli motor çalışırken veya makine sıcakken depo kapağı açılmamalı veya benzin doldurulmamalıdır.

Yakıt deposunu aşırı doldurmayın!

Yakıt genişleme boşluğu bırakmak için yakıt deposunu asla doldurma ağzının alt kenarının üzerine kadar doldurmayın.

Ayrıca benzinli motor kullanım kılavuzundaki bilgilere dikkat ediniz.

Benzinin taşması durumunda, benzinli motor ancak benzin bulaşmış yüzey temizlendikten sonra çalıştırılmalıdır. Benzin buharı dağılına kadar herhangi bir çalıştırma denemesi yapılmamalıdır (kurulayınız).

Dökülen yakıt daima silinmelidir.

Giysiye benzin bulaşmışsa, söz konusu giysi değiştirilmelidir.



Cihazı, depoda benzin varken asla bir bina içerisinde saklamayınız. Oluşan benzin buharı açık ateşe veya kıvılcıma temas ederek tutuşabilir.

Depo boşaltılacaksa, bu işlem açık alanda yapılmalıdır.

4.3 Kıyafet ve donanım



Çalışma esnasında daima sağlam tabanlı sağlam ayakkabılar giyilmelidir. Asla yalınayak veya sandaletlerle çalışmayınız.



Bakım ve temizlik çalışmalarında ve cihazın taşınmasında sağlam eldivenler takılmalı ve uzun saçlar toplanarak korunmalıdır (baş örtüsü, şapka vs.).



Biçme bıçağının bileylenmesinde özel bir koruyucu gözlük kullanılmalıdır.

Cihaz, ancak uzun bir pantolon ve dar kıyafetlerle çalıştırılmalıdır.

Asla bol giysiler giymeyiniz, bu giysiler hareketli parçalara (kumanda kolu) takılabilir - ayrıca takı, kravat ve şal da giyilmemelidir.



Çalışma sırasında gürültü vardır. Gürültü, kulaklarınıza hasar verebilir.

Kulak koruyucusu takın.

4.4 Cihazın taşınması

Cihazın sivri ve sıcak parçalarının sizi yaralamaması için daima eldivenlerle çalışınız.

Cihazı benzinli motor çalışır durumdayken taşımayın. Taşımadan önce benzinli motoru kapatın, bıçağın durmasını bekleyin ve buji soketini çekin.

Cihazı sadece benzinli motor soğukken ve yakıt yokken taşıyın.

Uygun yükleme yardımcıları kullanın (yükleme rampaları, kaldırma düzenekleri).

Cihazı ve birlikte taşınan cihaz parçalarını (örn. çim toplama sepeti) yükleme yüzeyi üzerinde yeterli boyuttaki sabitleme araçları ile (kemer, halat v.s.) emniyete alın.

Cihazın kaldırılması ve taşınması esnasında çim biçme bıçağı ile temas etmeyin.

“Nakliye” bölümündeki bilgilere dikkat ediniz. Orada cihazın nasıl kaldırılacağı ve/veya bağlanacağı açıklanmıştır. (⇒ 13.)

Cihazın nakliyesinde yerel yasal düzenlemelere, özellikle de cisimlerin yükleme yüzeylerinde taşınması ve yükün emniyete alınması ile ilgili düzenlemelere uyunuz.

4.5 Çalışmadan önce

Sadece kullanım kılavuzunu okumuş olan kişilerin cihaz ile çalıştığından emin olun.

Cihazı çalıştırmadan önce özellikle yakıt deposu, depo kapağı ve hortum bağlantıları gibi görünen parçaları kontrol ederek yakıt sisteminde sızdırma olmadığından emin olun. Sızıntı veya hasar varsa benzinli motoru çalıştırmayın. – **Yangın tehlikesi!**

Cihaz çalıştırılmadan önce yetkili bayi/servis tarafından bakım yapılmalıdır.

Lütfen benzinli motorlu ve/veya elektrikli motorlu bahçe aletlerinin çalışma zamanlarına yönelik yerel kurallara dikkat edin.

Cihazın kullanılacağı araziye kontrol edin ve taşları, sopaları, kabloları, kemikleri ve cihazın havalandırabileceği diğer tüm yabancı cisimleri uzaklaştırınız. Engeller (örn. kesilmiş ağaçlar, kökler) uzun çimlerde kolayca gözden kaçabilir.

Bu nedenle cihaz üzerinde çalışmadan önce çim alandaki uzaklaştırılmayan tüm yabancı maddeleri (engelleri) işaretleyin.

Cihazın kullanılmasından önce arızalı ve/veya aşınmış ve hasar görmüş tüm parçalar değiştirilmelidir. Makine üzerinde bulunan, okunamayacak durumdaki veya hasarlı tehlike ve uyarı levhaları yenilenmelidir. STIHL yetkili bayinizde yedek yapışkan levhalar ve tüm diğer yedek parçalar hazır tutulmaktadır.

Cihazı kullanmadan önce buji soketinin ve bujinin sağlam ve güvenli bir şekilde takılı olup olmadığını kontrol edin.

Cihaz daima çalışma güvenliği sağlanmış durumda çalıştırılmalıdır. Her çalıştırma öncesinde şunları kontrol edin:

- cihazın kurallara uygun şekilde monte edilmiş olup olmadığı,
- kesim aleti ve tüm kesme ünitesi (biçme bıçağı, tespitleme elemanları, çim biçme haznesi gövdesi) sorunsuz durumda olmalıdır. Özellikle emniyetli bir şekilde oturup oturmadığına, hasar (çizik ve çentik) ve aşınma olup olmadığına dikkat edin.(⇒ 12.4)
- depo kapağının kurallara uygun vidalanmış olup olmadığı,
- depo ve yakıt ileten parçaların ve depo kapağının sorunsuz durumda olduğu,

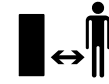
- emniyet tesisatları (örn. Motoru durdurma kolu, boşaltma kapağı, gövde, gidon, koruyucu kafes) sorunsuz bir durumda olmalı ve kurallara uygun olarak çalışıyor olmalıdır.

- çim toplama sepeti hasarsız ve tamamen monte edilmiş olmalıdır; hasarlı bir çim biçme sepeti kullanılmamalıdır.

- yağ kapama civatasının kurallara uygun vidalanmış olduğu,

Gerekirse tüm çalışmalarını uygulayın ve/veya yetkili satıcı ile iletişime geçin. STIHL, STIHL-yetkili bayilerini/servislerini önermektedir.

4.6 Çalışma esnasında



Tehlike bölgesinde hayvanlar veya insanlar ve özellikle çocuklar varken çalışmayınız.

Cihaza monte edilmiş olan ayar ve güvenlik tesisatları çıkartılmamalı veya köprülenmemelidir. Özellikle motoru durdurma kolunu asla gidona tespitlemeyin (örn. bağlayarak).



Dikkat – Yaralanma tehlikesi!

Ellerinizi veya ayaklarınızı asla dönen parçaların altına veya yakınına getirmeyiniz. Asla dönen bıçağa dokunmayın. Boşaltma ağzından daima uzak durunuz.

Gidon ile belirlenmiş olan güvenlik mesafesine daima uyulmalıdır. Gidon düzgün olarak monte edilmiş olmalıdır ve değiştirilmemelidir. Cihazı asla katlanmış gidonla çalıştırmayınız.

Asla gidona herhangi bir cisim sabitlemeyin (örn. iş giysisi).

Sadece gün ışığında veya aydınlatma iyi durumdayken çalışınız.

Cihazla yağmurda, fırtınada ve özellikle yıldırım tehlikesi durumunda çalışmayın!

Nemli zeminde sürtünme azalacağından kaza tehlikesi artacaktır.

Kaymayı engellemek için dikkat etmek gerekmektedir. Mümkünse cihazın nemli tabanlarda kullanılmasından kaçının.

Atık gazlar:



Zehirlenme nedeniyle hayati tehlike!

Mide bulantısı, baş ağrısı, görme bozuklukları (örn. görüş alanının daralması), duyma bozuklukları, baş dönmesi, konsantrasyon azalması gibi durumlarda çalışmayı derhal bırakın. Bu semptomlar yüksek egzoz gazı konsantrasyonlarından kaynaklanıyor olabilir.



Benzinli motor çalışması esnasında cihaz zehirli gazlar üretir. Bu gazlar, renksiz ve kokusuz zehirli bir gaz olan

karbonmonoksit ve başka zararlı maddeler içerir. Asla kapalı veya iyi havalandırılmayan alanlarda benzinli motor ile çalışmayınız.

Çalıştırma:

Cihazı dikkatli bir şekilde çalıştırın - "Cihazın çalıştırılması" bölümündeki talimatlara (⇒ 11.) uyun. Bu talimatlar uyarınca çalıştırma, yaralanma riskini düşürür.

Yaralanma tehlikesi!

Marş motoru ipi hızlıca geri gelirse, el ve kol marş motoru ipinin bırakılmasından daha hızlı bir şekilde benzinli motora doğru

çekilir. Bu tepme etkisi yüzünden kemik kırılmaları, ezilmeler ve şişlikler meydana gelebilir.

Çalıştırma sırasında ayaklarınız ve kesim aleti arasında yeterli mesafenin olmasına dikkat edin.

Çalıştırılma esnasında cihaz devrilmemelidir.

Motorun çalıştırılması esnasında tekerlek tahriği kelepçesi aktive edilmemelidir.

Boşaltma kanalı boşaltma kapağı ve/veya çim toplama sepeti ile örtülmemişse benzinli motoru çalıştırmayınız.

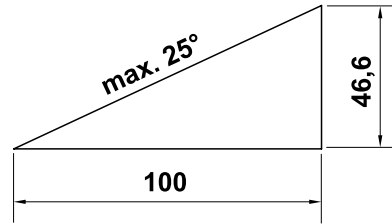
Engelibel arazide çim biçme:

Eğimlerde cihazı daima enine olarak kullanın, asla eğime doğru kullanmayın. Eğer kullanıcı biçme işlemi sırasında eğime doğru kontrolünü kaybederse, biçme halindeki cihaz tarafından ezilebilir.

Eğimli arazide sürüş yönünüzü değiştirirken özel dikkat gösteriniz.

Eğimlerde kontrolü kaybetmemeye dikkat edin ve cihazla aşırı dik eğimlerde çalışmaktan kaçının.

Güvenlik nedeniyle, makine 25°'nin (% 46,6) üzerinde eğime sahip arazilerde kullanılmamalıdır. **Yaralanma tehlikesi!** 25°'lik bir eğim, 100 cm'lik yatay uzunlukta 46,6 cm'lik bir dikey yükselişe eşdeğerdir.



Yanmalı motorun yeterli miktarda yağlandığından emin olmak için cihazın eğimli yerlerdeki montajı sırasında yanmalı motorun birlikte verilen kullanım kılavuzundaki verilere dikkat edin.

Çalışma:



Yaralanma tehlikesi!

Ellerinizi veya ayaklarınızı asla dönen parçaların altına veya üstüne koymayınız.



Bıçağı, çim biçme makinesi işletimindeyken kontrol etmeyin. Biçme bıçağı çalışırken asla

boşaltma kapağı ve/veya çim toplama sepetini çıkarmayın. Dönen bıçak yaralanmalara neden olabilir.

Cihazı yürüme hızında hareket ettirin. Çalışırken asla cihaz ile birlikte koşmayın. Cihazın hızlı bir şekilde hareket ettirilmesi durumunda tökezleme veya kayma gibi nedenlerle yaralanma tehlikesi artacaktır.

Çim biçme makinesini çevirirken veya kendinize çekerken özellikle dikkatli olun.

Tökezleme tehlikesi!

Yamaçlar, arazi kenarları, hendekler ve su kenarları civarında çalışırken cihazı dikkatli kullanın. Böyle tehlike olasılığı yüksek olan yerlerden uzakta çalışın.

Çim köklerine gömülü nesnelerin (çim sulama tertibatları, bitki kazıkları, su vaffleri, temeller, elektrik kabloları vs.) etrafından dolaşılmalıdır. Bunun gibi nesnelerin asla üzerlerinden geçmeyiniz.



STOP

Motorun kapatılmasından sonra, kesim aletinin birkaç saniyelik bir müteakip çalışma yapacağını unutmayınız.

Aşağıdaki durumlarda benzinli motoru durdurun, iş aletinin tamamen durduğundan emin olun ve buji soketini çekin:

- cihazı terk ettiğinizde ve/veya makine gözetim altında değilse,
- benzin doldurmadan önce. Sadece benzinli motor soğukken benzin doldurunuz.

Yangın tehlikesi!

- blokajları çözmeden veya boşaltma kanalındaki tıkanıklıkları gidermeden önce,
- cihaz kaldırılmadan ve taşınmadan önce,
- cihaz nakliye edilmeden önce,
- Biçme bıçağında çalışma yapmadan önce,
- Cihazı kontrol etmeden, temizlemeden veya makine üzerinde başka çalışmalar yapmadan önce; (örn. gidonun katlanması),
- Yabancı bir cisme çarptığında veya çim biçme makinesi alışıldan daha fazla titriyorsa. Bu durumlarda cihazda ve özellikle kesim biriminde (bıçak, bıçak mili, bıçak tespiti) hasar olup olmadığını kontrol ediniz ve cihazı tekrar çalıştırmadan ve cihazla çalışmadan önce gerekli tamirleri yapınız.



Yaralanma tehlikesi!

Kuvvetli titreşimler normalde bir arıza belirtisidir.

Çim biçme makinesi özellikle hasarlı veya eğilmiş krank mili veya hasarlı ve/veya eğilmiş biçme bıçağı ile çalıştırılmamalıdır. Gerekli bilgiye sahip değilseniz, daima yetkili servise başvurun – STIHL firması, STIHL yetkili servislerini önermektedir.

Aşağıdaki durumlarda benzinli motoru kapatın,

- cihazı biçilecek çimlerin olduğu alana doğru ve alandan geriye ittirirken,
- cihazı üzerine çim bulunmayan bir alana götürmeden önce,
- boşaltma kapağını açmadan veya çim toplama sepetini almadan önce,
- makine taşıma amaçlı eğilecekse,
- kesim yüksekliğini ayarlamadan önce.

4.7 Bakım ve Onarımlar

Temizlik, ayar, onarım ve bakım işlerine başlamadan önce:

- Cihazı sert, düz bir zemin üzerinde park edin,
- Benzinli motoru durdurun ve soğumasını bekleyin,
- Buji soketini çekiniz.

Dikkat – Yaralanma tehlikesi!

Buji soketini bujiden uzakta tutun, istenmeyen bir ateşleme kıvılcımı yangınlara veya elektrik çarpmasına neden olabilir. Bujinin buji soketine istenmeyen bir teması, benzinli motorun istenmeden çalışmasına neden olabilir.



Biçme bıçağı tarafından yaralanma tehlikesi!

Marş motoru ipinin çekilmesiyle iş aletine dönme hareketi kazandırılır. Marş motoru ipini çekerken, biçme bıçağı ile vücut, özellikle de eller ve ayaklar arasındaki mesafenin yeterli olmasına dikkat edin.

Özellikle benzinli motor, egzoz dirseği ve susturucu bölgelerinde yapılacak çalışmalardan önce cihazın soğumasını bekleyin. 80° C veya daha yüksek sıcaklıklara çıkılabilir. **Yangın tehlikesi!**

Motor yağı ile direkt temas tehlikeli olabilir, ayrıca motor yağı çalkalanmamalıdır. STIHL, motor yağının doldurulmasının ve/veya motor yağı değişiminin STIHL yetkili servisleri tarafından yapılmasını tavsiye eder.

Temizleme:

Çalışmadan sonra tüm cihaz dikkatlice temizlenmelidir. (⇒ 12.3)

Temizleme pozisyonuna getirmeden önce yakıt deposunu boşaltın (örn. boşaltma sürüşü ile).

Yapışan çim artıklarını bir tahta çubuk ile temizleyiniz. Çim biçme makinesinin alt tarafını fırça ve suyla temizleyin.

Asla yüksek basınçlı temizleyici kullanmayın ve cihazı akan suyun altında (örn. B bahçe hortumu ile) temizlemeyin. Aşındırıcı temizlik maddeleri kullanmayın. Bunlar plastiğe veya metale zarar vererek STIHL cihazının çalışma güvenliğini riske atabilir.

Yangın tehlikesini önlemek için soğutma havası deliklerinin, soğutma kanatçığının ve egzoz etrafının olduğu bölge örn. çim, sap, yosun, yaprak veya yağdan uzak tutulmalıdır.

Bakım çalışmaları:

Sadece bu kullanım kılavuzunda belirtilmiş olan bakım çalışmaları gerçekleştirilmelidir, tüm diğer çalışmalar yetkili kişiler tarafından yapılmalıdır.

Gerekli bilgiye ve yardımcı malzemelere sahip değilseniz **daima** yetkili servisimize başvurunuz.

STIHL, bakım ve onarım çalışmalarının sadece STIHL yetkili servisleri tarafından yapılmasını önerir.

STIHL yetkili servislerine düzenli olarak eğitim verilmekte ve teknik bilgi sağlanmaktadır.

Sadece STIHL tarafından bu cihaz için izin verilmiş olan araçları ve aksesuarları veya teknik olarak benzer parçaları kullanınız, aksi halde kişisel yaralanmaların ya da cihazda hasarların meydana gelebileceği kazaların oluşma riski vardır. Sorularınızda bir yetkili bayiye başvurmalısınız.

Orijinal STIHL aletleri, aksesuarları ve yedek parçaları cihaza ve kullanıcının beklentilerine en uygun özelliklere sahiptir. Orijinal STIHL yedek parçaları, STIHL yedek parça numarası, STIHL yazısı ve gerekirse STIHL yedek parça işaretinden anlaşılır. Küçük parçalarda sadece işaret de bulunabilir.

Güvenlik nedeniyle yakıt ileten yapı parçalarında (yakıt borusu, yakıt musluğu, yakıt deposu, depo kapağı, bağlantılar v.s.) hasar ve/veya sızıntı olup olmadığı düzenli olarak kontrol edilmeli, gerekirse bu parçalar yetkili bir kişi tarafından değiştirilmelidir (STIHL, STIHL yetkili servisini tavsiye eder).

Uyarı ve bilgi etiketlerinin daima temiz ve okunaklı olmalarını sağlayınız. Hasarlı veya kaybolan etiketler STIHL-yetkili bayisinden temin edebileceğiniz yeni

orijinal levhalar ile değiştirilmelidir. Bir yapı parçası yenisiyle değiştirilecekse, yeni parçanın da aynı etiketle donatılmasına dikkat ediniz.

Kesim biriminde yapılacak çalışmaları sadece kalın iş eldivenleriyle ve büyük bir dikkatle gerçekleştiriniz.

Cihazın daima güvenli işletim durumunda bulunması için, özellikle bıçak civatası olmak üzere tüm somunların, pimlerin ve vidaların her zaman iyice sıkılmış olmasını sağlayınız.

Cihazın tamamını ve çim toplama sepetini düzenli olarak, özellikle de saklanmasından önce (örn. kış molasından önce) aşınma veya hasara karşı kontrol edin. Cihazın daima güvenli işletim durumunda bulunması için, eskimiş veya hasar görmüş parçaları güvenlik açısından derhal değiştirin.

Benzinli motorun temel ayarını asla değiştirmeyiniz ve motora fazla yüklenmeyiniz.

Bakım çalışmaları için yapı parçaları veya koruma tertibatlarının çıkarılmış olması durumunda bunlar derhal yönetmeliklere uygun olarak tekrar takılmalıdır.

4.8 Uzun süreli çalışma aralarında saklama

Cihazı kapalı bir alanda bırakmadan önce benzinli motorun soğuduğundan emin olunuz.

Yakıt deposu boşaltılmış cihazı ve mevcut yakıtı, kilitlenebilen, iyi havalandırılmalı bir odada saklayınız.

Cihazın, yetkili olmayan kişilerce (örn. çocuklar tarafından) kullanılmamasını sağlayınız.

Cihazı, depoda benzin varken asla bir bina içerisinde saklamayınız. Oluşan benzin buharı açık ateşe veya kıvılcıma temas ederek tutuşabilir.

Yakıt deposu boşaltılacaksa (örn. kış molasından önce durdurma), boşaltma işlemi sadece açık arazide yapılmalıdır (örn. boşaltma sürüşü ile).

Cihazı saklamadan önce (örn. kış molası) iyice temizleyiniz.

Cihazı sadece buji soketi bujiden çekilmiş olarak saklayınız.

Cihaz daima çalışma açısından güvenli durumda saklanmalıdır.

Cihazı örtmeden önce tamamen soğumasını bekleyiniz.

4.9 İmha

Eski yağ, yakıt, kullanılmış yağ, filtre, aküler ve aşınmış parçalar gibi atık ürünler insanlara, hayvanlara ve çevreye zarar verebilir, bu yüzden uygun olarak imha edilmelidir.

Atıkların nasıl usulüne uygun şekilde imha edileceğini geri dönüşüm merkezinizden veya yetkili bayinizden/servisinizden öğreniniz. STIHL, STIHL-yetkili bayilerini/servislerini önermektedir.

Çim biçme makinesi kullanım ömrünü doldurduğu zaman kurallara uygun bir şekilde imha edilmesine dikkat edin. Cihazı imha etmeden önce kullanılmayacak hale getirin. Kazalardan kaçınmak için özellikle buji kablosunu sökün, depoyu ve motor yağını boşaltın.

Biçme bıçağı tarafından yaralanma tehlikesi!

Biçme bıçağının kullanılmadığı durumlarda da asla gözetimsiz

birakmayın. Cihazın ve özellikle biçme bıçağının çocukların erişemeyeceği yerlerde saklanmasına dikkat edin.

5. Sembol açıklamaları



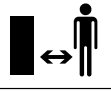
Dikkat!

Cihazı çalıştırmadan önce kullanım kılavuzunu okuyun.



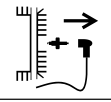
Yaralanma tehlikesi!

Üçüncü kişileri tehlikeli bölgeden uzak tutun.



Yaralanma tehlikesi!

Kesim aletinde yapılacak çalışmalardan, bakım ve temizlik işlemlerinden önce buji soketini çekiniz.



Yaralanma tehlikesi!

Ellerinizi ve ayaklarınızı bıçaklardan uzak tutun!



Kesim mekanizması birkaç saniyelik bir müteakip çalışma yapar (benzinli motor/bıçak freni).



RM 443, RM 443 T, RM 448 PT, RM 448 T, RM 448 TX:

Benzinli motoru çalıştırma



RM 443, RM 443 T, RM 448 PT, RM 448 T, RM 448 TX:

Benzinli motoru durdurma



RM 443 T, RM 448 PT, RM 448 T, RM 448 TX:

Tekerlek tahrikini açma



RM 448 PC, RM 448 TC, RM 448 VC:

Benzinli motoru çalıştırma



RM 448 PC, RM 448 TC, RM 448 VC:

Benzinli motoru durdurma



RM 448 PC, RM 448 TC, RM 448 VC:

Tekerlek tahrikini açma



RM 448 VC:

Sürüş hızını ayarlama.
(⇒ 11.3)

6. Teslimat kapsamı



2

Poz.	Tanım	Adet
A	Ana cihaz	1
B	Çim toplama sepeti üst parçası	1
C	Çim toplama sepeti alt parçası	1
D	Pim	2
-	Kullanım Kılavuzu	1
-	Kullanım Kılavuzu Benzinli motor	1

RM 443, RM 443 T, RM 448 PT, RM 448 T, RM 448 TX:

Poz.	Tanım	Adet
E	Hızlı gergi	2
F	Vida	2
G	Kablo kılavuzu	2
H	Koruyucu kovanlar	2

RM 448 PC, RM 448 TC, RM 448 VC:

Poz.	Tanım	Adet
I	Kovan	1
J	Vida	1
K	Rondela	2
L	Somun	1

7. Cihazın çalışmaya hazır hale getirilmesi

7.1 Genel



Yaralanma tehlikesi

"Güvenliğiniz için" (⇒ 4.) bölümündeki güvenlik talimatlarını dikkate alın.

- Anlatılan tüm çalışmalar için cihazı yatay, düz ve sabit bir zeminin üzerine koyun.

7.2 Tekli gidonun monte edilmesi (RM 448 PC, RM 448 TC, RM 448 VC)



- **1** Kovanı (I) gidondaki (1) boşluğun içine sürün.
- **2** Her iki diski (K) bombeli kısmı içe gelecek şekilde gidonun kovanının üzerine (1) geçirin.
- **3** Kovanı (I) ve diskleri (K) tutun ve gidonla (1) birlikte gidon konsolundaki (2) tutamağın içine sürün.
- **4** Cıvata (J) dıştan içeriye doğru, gidondaki (1) ve gidon konsolunun (2) boşlukların içinden geçirin.
- **5** Somunu (L) vidalayın.
- **6** Cıvata (J) sıkın. Sıkma torqu: **18 - 22 Nm**

Çekme tellerinin montajı:

- RM 448 PC, RM 448 TC:
Motoru durdurma çekme telini (3) ve tekerlek tahriki çekme telini (4) şekilde gösterildiği gibi gidon konsolundaki ve gidondaki tel kılavuzlarının (6) içine yerleştirin.
RM 448 VC:
Motoru durdurma çekme telini (3), tekerlek tahriki çekme telini (4) ve vario tahrik çekme telini (5) şekilde gösterildiği gibi gidon konsolundaki ve gidondaki tel kılavuzlarının (6) içine yerleştirin.

7.3 İkili gidonun monte edilmesi (RM 443, RM 443 T, RM 448 PT, RM 448 T, RM 448 TX)



- Koruyucu kovanları (H) her iki gidon alt parçasının (1) üzerine geçirin.
- Cıvata (F) delikten tel kılavuzuna (G) sokunuz.
- Gidon üst parçasını (2) gidon alt parçasının (1) üzerine takın.
- Sol taraf:
Kablo kılavuzunu (G) motor durdurma çekme teline (3) takınız.
- Sağ taraf (RM 443 T, RM 448 PT, RM 448 T, RM 448 TX):
Kablo kılavuzunu (G) tekerlek tahriki çekme teline (4) takınız.
- Her iki tarafta cıvata (F) içeriden dışarıya, deliklerden geçirin.
- Hızlı gergiyi (E) cıvatalara (F) vidalayın (cıvatanın yaklaşık bir yivi dışarı çıkmalıdır) ve yukarı katlayın.

- Doğru monte edildiğinden emin olun: Hızlı gergiler (E), gidon üst parçasının sıkıca gidon alt parçasında sabitleneceği şekilde sıkılmalıdır. Eğer gidon sıkıca monte edilmemişse veya hızlı gergiler doğru yerleşmemişse, hızlı gergileri açın ve sıkıca yerleşene kadar çevirin.

7.4 Çim toplama sepetinin montajı



- Çim toplama sepeti üst parçasını (B) çim toplama sepeti alt parçasına (C) takın. Kılavuzlardaki konumun doğru olmasına dikkat edin.
- Pimleri (D) içten doğru öngörülen deliklere bastırın.
- Çim toplama sepetinin üst parçasına (B) hafifçe bastırarak çim toplama sepeti alt parçasına oturmasını sağlayın.
- Çim toplama sepetini asın (⇒ 8.3).

7.5 Marş motoru ipinin takılması ve çıkarılması



Asılması

- Benzinli motorun buji soketini çekin.
 - Motor durdurma kolunu (1) gidona doğru bastırın ve tutun.
 - Marş motoru ipini (2) yavaşça dışarı çekin.
 - Motoru durdurma kolunu (1) serbest bırakın ve marş motoru ipini (2) çekme ipi braketine (3) takın.
 - Buji soketini takınız.
- #### Çıkarılması
- Benzinli motorun buji soketini çekin.

- Marş motoru ipini (2) çekme ipi braketinden (3) çıkarın.

7.6 Yakıt ve motor yağı



Cihaza zarar vermektan kaçının! Motoru ilk kez çalıştırmadan önce motor yağını doldurun. Motor yağını veya depoyu doldurmak için uygun bir doldurma yardımı (örn. huni) kullanın.

Motor yağı:

Kullanılması gereken motor yağı ve yağ dolm miktarı, benzinli motor kullanım kılavuzundan alınacaktır. Düzenli olarak dolm seviyesi kontrolü yapınız (bkz. benzinli motor kullanım kılavuzu).

Doğru yağ seviyesini aşmayın ve bu seviyenin altına düşmeyin. Yağ deposu kapağını, benzinli motoru işleme almadan önce düzgün bir şekilde vidalayın.

Yakıt:

Öneri:
taze, iyi marka yakıtlar,
Kurşunsuz benzin.
Yakıt kalitesi verileri (oktan sayısı) benzinli motor kullanım kılavuzunda tarif edilmiştir.



8. Kullanma elemanları

8.1 Tekli gidonun ayarlanması (RM 448 PC, RM 448 TC, RM 448 VC)



Sıkışma tehlikesi!

Yerleşme kolunu işletirken, daima bir elinizle gidonun üst parçasını en üst noktadan tutun. Parmağınızı asla gidon ve konsolu arasına (yerleşme kolunun üstüne ve altına) koymayın.

Gidonu yatırın:

Taşıma pozisyonu (cihazı temizlemek, fazla yer kaplamayacak şekilde taşımak ve saklamak için):

- Marş motoru ipini tel kılavuzundan çıkartın. (⇒ 7.5)
- Gidon üst parçasını (2) daima en üst noktadan tutun ve hafifçe kaldırın (yükü alın).
- Geçme kolu (1) aşağıya doğru bastırınız ve tutunuz.
- Gidonu (2) öne doğru katlayın.

Çalışma pozisyonu (cihazı itmek için):

- Gidonu (2) arkaya doğru katlayınız ve gidonun tamamen oturmasına dikkat ediniz.
- Marş motoru ipini tel kılavuzuna takın. (⇒ 7.5)

Yükseklik uyarı:

Tekli gidonunun yüksekliği 2 kademe olarak ayarlanabilir:

- Gidon üst parçasını (2) daima en üst noktadan tutun ve hafifçe kaldırın (yükü alın).
- Geçme kolu (1) aşağıya doğru bastırınız ve tutunuz.
- Gidonu (2) istenilen pozisyona getirin.
- Geçme kolu (1) bırakınız ve gidonun tekrar tamamen oturmasına dikkat ediniz.

8.2 İkilı gidonu katlayın (RM 443, RM 443 T, RM 448 PT, RM 448 T, RM 448 TX)



Sıkışma tehlikesi!

Hızlı kilitleri gevşeterek gidonun üst parçasını yatırabilirsiniz. Bu nedenle, hızlı kilitleri açarken bir eliniz ile gidonun üst parçasını (2) en üst noktadan tutun.

Taşıma pozisyonu (cihazı temizlemek, fazla yer kaplamayacak şekilde taşımak ve saklamak için):

- Marş motoru ipini(2) çekme teli braketinden çıkartın. (⇒ 7.5)
- Hızlı gergiyi (1) açın - aşağı katlayın - ve gidon üst parçasını (2) öne katlayın.

Çalışma pozisyonu (cihazı itmek için):

- Gidon üst parçasını (2) arkaya doğru katlayarak açın ve bir eliniz ile tutun.
- Hızlı gergiyi (1) kapatın (yukarı katlayın).
- Marş motoru ipini çekme teli braketine asın. (⇒ 7.5)

8.3 Çim toplama sepeti



Asılması için:

- Boşaltma kapağını (1) açın ve açık tutun.
- Çim toplama sepetini (2) tutucu halkalar ile cihazın arkasındaki ağızlara (3) asın.
- Boşaltma kapağını (1) kapatın.

Çıkartılması için:

- Boşaltma kapağını (1) açın ve açık tutun.
- Çim toplama sepetini (2) kaldırın ve arkaya doğru çıkarın.
- Boşaltma kapağını (1) kapatın.

8.4 Merkezi kesim yüksekliği ayarı



6 farklı kesim yüksekliği ayarlanabilir.

Kademe 1 = 25 mm

Kademe 6 = 75 mm

Kesim yüksekliğinin ayarlanması:

- Tutamağı (1) kavrayın, kolu (2) yukarı çekiniz ve öyle tutunuz.
- Cihazı yukarı ve aşağı doğru hareket ettirerek dilediğiniz kesim yüksekliğini ayarlayın. Güncel kesim yüksekliği, kesim yüksekliği göstergesinden (3) işaret (4) yardımıyla okunabilir.
- Geçme kolu (2) yavaşça bırakınız ve yerleşmesini sağlayınız.

8.5 Doluluk seviyesi göstergesi



Çim toplama sepeti üst parçası, toplama sepeti üst parçasında bir doluluk seviyesi göstergesi (1) ile donatılmıştır.

Bıçme bıçağının dönüş hareketi sonucunda oluşan ve çim toplama sepetinin doldurulmasını sağlayan hava akımı, doluluk seviyesi göstergesini (2) kaldırır:

Çim toplama sepeti kesilen çimle dolar.

Çim toplama sepeti çimle dolduğunda bu hava akımı azalır ve dolum seviye göstergesi aşağı iner (3):

- Dolan çim toplama sepetinin boşaltılması (⇒ 11.4)

9. Güvenlik tesisatları

Usulüne uygun olmayan şekilde kullanılmasının önlenmesi ve kullanım güvenliğinin sağlanması için cihaz çok sayıda güvenlik düzeneğiyle donatılmıştır.



Yaralanma tehlikesi!

Güvenlik düzeneğinden birinde bir arıza saptanmışsa, cihaz çalıştırılmamalıdır. Yetkili servise başvurunuz; STIHL, STIHL yetkili servislerini önerir.

9.1 Koruma tertibatları

Çim biçme makinesi, biçme bıçağı ve püskürtülen kesilen çimlerle gözetim altında olmadan teması engellemek için koruma tertibatlarıyla donatılmıştır. Gövde, boşaltma kapağı, çim toplama sepeti ve düzgün olarak monte edilmiş olan gidon bunlara dahildir.

9.2 Motor durdurma kolu

Çim biçme makinesi, bir motor durdurma tesisatına sahiptir.

Çalışma sırasında motor durdurma kolu serbest bırakıldıktan sonra benzinli motor kapatılır.

Benzinli motor ve bıçak, 3 saniyede durur.



Yaralanma tehlikesi!

Bıçakların durma süresi daha uzunsa cihazı çalıştırmayın ve yetkili bayi/servise götürün.

Gecikme süresini ölçme

Benzinli motor çalıştırıldığında bıçak dönmeye başlar ve bir rüzgar sesi duyulur. Durma süresi benzinli motorun durması sırasındaki rüzgar sesinin süresiyle aynıdır, bu süre bir kronometre ile ölçülebilir.

10. Çalışmaya yönelik uyarılar

Güzel ve yoğun çimlere sahip olmak için

- daima yavaş bir sürüş hızıyla kullanınız.
- çimleri daha sık biçiniz ve daha kısa tutunuz.
- Sıcak ve kuru havada çim boyunu çok kısaltmayınız, aksi takdirde güneşten yanacak ve kötü bir görünüm alacaktır.
- sivri biçme bıçakları kullanınız, bu nedenle bıçakları düzenli olarak bileyiniz (yetkili servis).
- kesim yönünü düzenli olarak değiştirin.

10.1 Kullanıcının çalışma alanı



12

- Çalıştırma sırasında ve benzinli motor çalışırken güvenlik gerekçesiyle kullanıcı daima direksiyonun arkasındaki çalışma bölgesinde bulunmalıdır. Gidonun sağlamış olduğu güvenlik mesafesine her zaman uyulmalıdır.
- Çim biçme makinesi sadece bir kişi tarafından kullanılmalıdır, üçüncü şahıslar tehlike bölgesinden uzakta bulunmalıdır. (⇒ 4.)

11. Cihazın çalıştırılması

11.1 Benzinli motoru çalıştırma



14

- **i** Benzinli motor yüksek çimde çalıştırılmaz. Güç koşullarda çalıştırırken daha yüksek kesim yüksekliği ayarları seçin. Benzinli motor, çalıştırma işleminden sonra sabit gaz ayarı nedeniyle daima optimum işletim devir sayısı ile çalışmaktadır.
- Motor durdurma kolunu (1) gidona doğru bastırın ve tutun.
- Marş motoru ipini (2) kompresyon direncine kadar yavaşça çekiniz. Ardından kol uzunluğuna kadar kuvvetlice çekiniz. Marş motoru ipini (2) yavaşça tekrar sarılabilmesi için yavaşça geri sokunuz.
- Benzinli motor çalışana kadar işlemi tekrarlayın.

11.2 Benzinli motoru durdurun



15

- Benzinli motorun durdurulması için motoru durdurma kolunu (1) serbest bırakın. Benzinli motor ve biçme bıçağı kısa bir süre içinde duracaktır.

11.3 Tekerlek tahriki (RM 443 T, RM 448 PC, RM 448 PT, RM 448 T, RM 448 TX, RM 448 TC, RM 448 VC)



16

17

Çim biçme makineleri RM 443 T, RM 448 PC, RM 448 PT, RM 448 T, RM 448 TX, RM 448 TC ve RM 448 VC bir tekerlek tahrikiyle donatılmıştır.

RM 443 T, RM 448 PC, RM 448 PT, RM 448 T, RM 448 TX, RM 448 TC:
Bir ilerleme tahrik hızı (giriş-şanzımanı)

RM 448 VC:

Sürüş sırasında kademersiz ayarlanabilir ilerleme tahrik hızı (Vario-şanzımanı)

Tekerlek tahriki açın:

- İçten yanmalı motoru çalıştırın. (⇒ 11.1)
- Tekerlek tahriki kelepçesi (1) gidona doğru çekin ve çekili tutun. Tekerlek tahriki çalışır ve çim biçme makinesi ileri harekete başlar.

! Cihaza zarar vermektan kaçının!
Şanzımanda hasar oluşumunu engellemek için tekerlek tahriki kelepçesini daima tamamen (dayanak noktasına kadar) işletin.

Tahrik hızını ayarlama (RM 448 VC):

! Cihaza zarar vermektan kaçının!
Vario tahrik kolunu (2) sadece benzinli motor çalışırken işletin.

- Sürüş hızını artırın. Vario tahrik kolunu (2) sürüş sırasında ileri doğru bastırın.
- Sürüş hızını azaltma: Vario tahrik kolunu (2) sürüş sırasında geri doğru çekin.



EN



SK

Tekerlek tahriki kapatın:

- Tekerlek tahriki kelepçesini (1) bırakın. Tekerlek tahriki kapanır ve çim biçme makinesi durur. Benzinli motor çalışmaya devam eder.

TR

HU

SR

11.4 Çim toplama sepeti boşaltma



18

! Yaralanma tehlikesi!
Çim toplama sepetini dışarı almadan önce güvenlik nedeniyle benzinli motoru durdurun.

- Çim toplama sepetini çıkarın. (⇒ 8.3)
- Çim toplama sepetini kilit bileziğinden (1) açın. Çim toplama sepeti üst parçasını (2) açın ve tutun. Çim toplama sepetini arkaya doğru katlayın ve kesilen çimleri boşaltın.
- Çim toplama sepetini kapatın.
- Çim toplama sepetini takın. (⇒ 8.3)

12. Bakım

12.1 Genel

! Yaralanma tehlikesi!
"Güvenliğiniz için" (⇒ 4.) bölümündeki güvenlik talimatlarını dikkate alın.

HR

CS

LV

LT

RO

EL

BG

ET

AZ

KK

Yetkili bayi/servis tarafından yapılan senelik bakım:

Çim biçme makinesi senede bir kez bir yetkili bayi/servis tarafından kontrol edilmelidir. STIHL, STIHL-yetkili bayilerini/servislerini önermektedir.

12.2 Yanmalı motor

Bakım aralığı:

Bkz. yanmalı motor kullanım kılavuzu.

Genel bilgiler:

Ekteki benzinli motor kullanım kılavuzunda yer alan kullanım ve bakım uyarılarına dikkat ediniz.

Cihazın uzun ömürlü olması için yağ seviyesinin daima yeterli olması, yağ ve hava filtresinin düzenli olarak değiştirilmesi büyük önem taşımaktadır.

Tavsiye edilen yağ değişim aralıklarını ve/veya motor yağı ve yağ dolum miktarı hakkındaki bilgileri benzinli motor kullanım kılavuzunda bulabilirsiniz.

Benzinli motorun yeteri kadar soğuyabilmesi için soğutma kanatçıkları daima temiz tutulmalıdır.

12.3 Cihazın temizlenmesi

Bakım aralığı:

Her kullanımdan sonra

Titiz baktığınız takdirde cihazınız olası hasarlardan korunacak ve ömrü uzayacaktır.



Yaralanma tehlikesi!

Benzinli motoru kapatın, buji soketini çekin ve cihazın soğumasını bekleyin. Cihazı temizleme pozisyonuna getirmeden önce yakıt deposunu boşaltın (örn.boşaltma sürüşü ile). Cihaz sadece boşaltma kapağı açıkken güvenli bir şekilde temizleme pozisyonunda bulunur.

- En yüksek kesim kademesini seçiniz. (⇒ 8.4)
- Çim toplama sepetini çıkarın. (⇒ 8.3)

Temizleme pozisyonu RM 443, RM 443 T, RM 448 PT, RM 448 T, RM 448 TX:

- Gidon üst parçasını (1) tutun ve hızlı gergiyi açın - aşağı katlayın.
- Gidon üst parçasını (1) arkaya yatırma.
- Boşaltma kapağını (2) açın ve açık tutun.
- Cihazı önden kaldırın ve gösterildiği gibi temizleme pozisyonuna getirin.

Temizleme pozisyonu RM 448 PC, RM 448 TC, RM 448 VC:

- Yukarı devirmek için cihazın sağ yanında durun.
- Gidon üst parçasını en alt konuma getirin (dayanağa kadar, geçme kolu bu pozisyonda geçmez). (⇒ 8.2)
- Boşaltma kapağını (2) sağ elinizle açın ve açık tutun.
- Sol elinizle resmedildiği gibi konsolu kavrayın ve boşaltma kapağını açık tutun. Aynı zamanda yerleşme pedalına (3) baş parmağınızla basın ve tutun.

- Cihazı sağ elinizle ön tutamaktan kavrayın ve gidon resmedildiği gibi yere oturana kadar, yavaşça arkaya doğru yatırın.
- Boşaltma kapağını (2) ve yerleşme pedalını (3) serbest bırakın ve cihazın duruşunu kontrol edin.

Temizliğe ilişkin uyarılar:

- Kirleri az miktarda su kullanarak, bir fırça veya bir bezle temizleyin. Özellikle çim biçme bıçağını da temizleyin. Püskürtülen suyu asla benzinli motorun parçalarına, contalara, yatak alanlarına yöneltmeyin.
- Yapışan çim artıklarını öncesinde bir tahta çubuk ile temizleyin.
- Gerekirse bir özel temizleyici kullanın (örn. STIHL özel temizleyici).

12.4 Bıçak aşınması kontrolü

Bakım aralığı:

Her kullanımdan önce



Yaralanma tehlikesi!

Bıçaklar kullanım yerine ve kullanım süresine göre farklı yoğunlukta aşınma sergiler. Cihazı kumlu zemin üzerinde ve/veya sık sık kuru şartlarda çalıştırıyorsanız, bıçağa daha fazla yük binecek ve bıçaklar ortalamanın üstünde bir hızla aşınacaktır. Aşınan bıçak kırılabilir ve ağır yaralanmalara yol açabilir. Bu nedenle, bıçağın bakımı ile ilgili talimatlara her zaman uyulmalıdır.

- Çim biçme makinesini kaldırarak temizleme pozisyonuna getirin. (⇒ 12.3)
- Çim biçme bıçağını (1) temizleyin.

- Cetveli (1) bıçağın ön kenarına yerleştirin ve bileme durumunu **A** ölçün.
- Bıçak genişliğini **B** bir kumpasla (2) ölçün.
- Bıçak kalınlığını **C** en az 5 noktadan bir kumpasla (2) kontrol edin. Özellikle de bıçak pervaneleri alanında bu asgari kalınlık mevcut olmalıdır.

Aşınma sınırları:

Bileme durumu **A**: < 15 mm

Bıçak genişliği **B**: > 39 mm

Bıçak kalınlığı **C**: > 2 mm

Bıçak şu hallerde değiştirilmelidir,

- hasar görmüşse (çentikler, çatlaklar),
- bir veya birden çok noktada ölçme değerlerine ulaşılmışsa veya izin verilen sınırların dışındaysa.

Çim biçme makinesinde, örn. özel aksesuar olarak temin edilebilen çok fonksiyonlu bıçak monte edilmişse, farklı aşınma sınırları geçerlidir (bkz. aksesuarın kullanım kılavuzu).

12.5 Çim biçme bıçağının sökülmesi ve takılması



Sökme işlemi:

- Çim biçme bıçağını (2) kontrolamak için uygun bir tahta parçası (1) kullanın.
- Bıçak civatasını (3) sökün. Çim biçme bıçağını (2), bıçak civatasını (3) ve emniyet pulunu (4) çıkartın.

Montaj:



Yaralanma tehlikesi!

Çim biçme bıçağı (2) sadece resimdeki gibi monte edilmelidir. Sıkma bilezikleri (7) aşağıya, yukarı bükülmüş bıçak kanatları yukarıya bakmalıdır.

Bıçak civataları için öngörülen sıkma torkuna tam olarak uyulmalıdır, kesim aletinin güvenli bir şekilde tespitlenmesi buna bağlıdır. Bıçak civatasını (3) ilaveten **Loctite 243** ile emniyete alın.

Emniyet pulu (4) her bıçak montajında yenilenmelidir, bıçak civatası (3) her bıçak değişiminde.

- Bıçağın dayanma yüzeyini ve bıçak kovanını temizleyin.
- Çim biçme bıçağını (2) yukarıya bükülmüş kanatları yukarı bakacak (cihazı gösterecek) şekilde monte ediniz. Bıçak kovanındaki tutucu halkalar (5) çim biçme bıçağının deliklerine (6) konumlandırılmalıdır.
- Çim biçme bıçağını (2) kontrolamak için uygun bir tahta parçası (1) kullanın.
- Bıçak civatasını (3) yeni emniyet puluyla (4) vidalayın ve sıkın. Sıkma torku: **60 - 65 Nm**

12.6 Biçme bıçağının bilenmesi

STIHL, biçme bıçağının bir uzman tarafından bilenmesini tavsiye eder. Bıçak yanlış bilendiğinde (yanlış bileme açısı, dengesizlik) cihaz fonksiyonları olumsuz etkilenir.

Bileme talimatı:

- Biçme bıçağını çıkarın (⇒ 12.5).

- Bileme esnasında biçme bıçağını soğutun, örn. su ile. Bıçakta mavileşme olmamalıdır, aksi takdirde kesim dayanıklılığı azalacaktır.
- Dengesizlik nedeniyle oluşabilecek titreşimlerin önlenmesi için tüm bıçak yüzeyinin eşit keskinlikte olmasına dikkat edin.
- Bileme açısının 30° olmasına dikkat edin.
- Gerekirse kesici kenardaki bileme çıkıntılarını hassas bir zımpara kağıdı ile temizleyin.
- Aşınma sınırlarına dikkat ediniz. (⇒ 12.4)

12.7 Saklama ve uzun süreli mola (kış molası)

Cihazı kuru, kapalı ve tozlanma olmayan bir alanda muhafaza edin. Cihazın çocukların erişemeyeceği yerlerde muhafaza edilmesini sağlayın.

Saklamadan önce mevcut sorunları giderin. Makine daima çalışmaya hazır bir durumda bulunmalıdır.

Saklamadan önce yakıt deposunu ve karbüratörü boşaltınız (örn. boşaltma sürüşü ile).

Cihaz uzun süre kullanılmayacaksa (kış molası) ayrıca aşağıdaki hususlar da dikkate alınmalıdır:

- Cihazın tüm dış parçalarını özenle temizleyin.
- Tüm hareketli parçaları iyice yağlayın ve/veya gresleyin.

- Bujiyi sökünüz (bkz. benzinli motor kullanım kılavuzu) ve buji deliğinden benzinli motora yakl. 3 cm³ motor yağı doldurunuz. Benzinli motoru birkaç kez buji olmadan çalıştırınız (marş motoru ipini çekerek).



Yangın tehlikesi!

Tutuşma tehlikesi nedeniyle buji soketini buji deliğinden uzak tutunuz.

- Bujiyi yeniden vidalayın (bkz. ayrıca benzinli motor kullanım kılavuzu).
- Yağ değişimini gerçekleştirin (bkz. ayrıca benzinli motor kullanım kılavuzu).
- Benzinli motoru örtünüz ve cihazı normal konumda saklayınız.

13. Nakliye

13.1 Nakliye



Yaralanma tehlikesi!

Nakliye işleminden önce "Güvenliğiniz için" bölümüne dikkat ediniz. (⇒ 4.)

Nakliye sırasında daima uygun güvenlik kıyafeti (güvenlik ayakkabıları, sağlam eldivenler) kullanın.

Kaldırmadan veya taşımadan önce daima buji soketini çekiniz. STIHL, güvenlik gerekçesiyle cihazı daima ikinci bir kişinin yardımıyla kaldırmayı veya taşımayı önerir. Kaldırmadan önce "Teknik Veriler" bölümündeki ağırlığı dikkate alın.

Cihazın taşınması

- İki kişi:
Cihazı sadece ön tutamaktan (1) ve gidondan (3) kaldırın. Çim biçme bıçağı ve vücut, özellikle de ayak ve bacaklar arasındaki mesafenin yeterli olmasına dikkat edin.
- Tek kişi:
Cihazı bir elle arka tutamağın ortasından (2) ve diğer elle ön tutamaktan (1) tutarak kaldırın veya taşıyın.

Cihazın bağlanması

- Cihazı yükleme yüzeyi üzerinde uygun sabitleme araçları ile emniyete alın.
- Halat ve/veya kemerlerini işaretlenmiş noktalardan (4) bağlayın.

14. Çevre koruma



Kesilen çimler çöpe atılmamalı, kompost oluşturma işlemine tabi tutulmalıdır.

Ambalajlar, cihaz ve aksesuar geri dönüşümlü malzemeden üretilmiştir ve buna uygun şekilde imha edilmelidir.

Malzeme artıklarının ayrıştırılarak çevre koruma kurallarına uygun şekilde imha edilmesi, yeniden değerlendirilebilir maddelerin tekrar kullanılmasını sağlayacaktır. Bu nedenle, normal kullanım süresi dolduğunda makine, tekrar değerlendirme merkezlerine bırakılmalıdır. İmha işleminde "Bertaraf" bölümündeki bilgileri özellikle dikkate alın (⇒ 4.9).

Atıkların usulüne uygun şekilde nasıl imha edileceğini öğrenmek için geri dönüşüm merkeziniz veya yetkili bayiniz/servisiniz ile irtibata geçin.

15. Aşınmanın en aza indirgenmesi ve hasar oluşumunun önlenmesi

Ürün grubunun rutin bakımı ve günlük bakımına yönelik önemli uyarılar

Benzin motorlu çim biçme makinesi (STIHL RM)

Kullanım kılavuzundaki özellikle güvenlik, kullanım ve bakım ile ilgili talimatlara dikkat edilmemesi sonucunda ya da izin verilmeyen montaj veya yedek parçalardan dolayı meydana gelen maddi ve kişisel zararlarda STIHL Firma'sı sorumluluk kabul etmez.

STIHL cihazınızda aşırı aşınmayı ve hasar oluşumunu önlemek için lütfen aşağıdaki uyarılara kesinlikle dikkat ediniz:

1. Aşınan parçalar

STIHL cihazında bulunan bazı parçalar, kurallara uygun kullanımda dahi normal bir aşınma sergileyecektir ve kullanım türüne ve süresine göre doğru zamanda değiştirilmelidir.

Bu parçalar şunlardır:

- Bıçme bıçağı
- Çim toplama sepeti
- V kayışı (RM 443 T, RM 448 PC, RM 448 PT, RM 448 T, RM 448 TC, RM 448 TX, RM 448 VC)

2. Bu kullanım kılavuzundaki bilgilere uyulması

STIHL-cihazının kullanımı, bakımı ve depolanması bu kullanım kılavuzunda tarif edilen şekilde, dikkatlice yapılmalıdır. Güvenlik, kullanim ve bakım uyarilarına uyulmamasından kaynaklanan tüm hasarlar, müşterinin sorumluluğu altındadır.

Bu koşul, özellikle aşağıdaki durumlarda geçerlidir:

- Ürün üzerinde STIHL tarafından izin verilmemiş değişikliklerin yapılması.
- STIHL tarafından müsaade edilmeyen çalışma malzemelerinin kullanılması (yağlama maddeleri, benzin ve motor yağı, bkz. benzinli motorların üreticisi tarafından verilen bilgiler)
- Cihaza uygun olmayan, onaylanmamış veya düşük kaliteli araç ve aksesuarların kullanılması.
- Ürünün kurallara uygun şekilde kullanılmaması.
- Ürünün spor veya yarışma gibi faaliyetlerde kullanılması.
- Ürünün arızalı parçalarla kullanılmaya devam edilmesinden kaynaklanan hasarlar.

3. Bakım çalışmaları

“Rutin bakım” bölümünde belirtilen çalışmalar, düzenli aralıklarla yapılmalıdır.

Bu bakım çalışmaları kullanıcının kendisi tarafından yapılamıyorsa, bir uzman bayi bu işle görevlendirilmelidir.

STIHL, bakım ve onarım çalışmalarının sadece STIHL yetkili servislerinde yapılmasını önerir.

STIHL yetkili servislerine düzenli olarak eğitim verilmekte ve teknik bilgi sağlanmaktadır.

Bu çalışmaların ihmal edilmesi durumunda, müşterinin sorumluluğu altında olacak hasarlar meydana gelebilir.

Bu hasarlar aşağıdaki gibidir:

- Kurallara aykırı depolamadan kaynaklanan aşınma veya diğer hasarlar.

- Kalitesi düşük yedek parçaların kullanımı sebebiyle cihazda oluşan hasarlar.
- Zamanında yapılmamış veya yetersiz ölçüde yapılmış bakımdan veya yetkili servislerde yapılmamış bakım ve tamir işlemlerinden kaynaklanan hasarlar.

16. Sık kullanılan yedek parçalar

Çim biçme bıçağı RM 443, RM 443 T:

6338 702 0100

Bıçme bıçağı RM 448 PC, RM 448 PT, RM 448 T, RM 448 TC, RM 448 TX, RM 448 VC:

6358 702 0100

Bıçak cıvatası:

9008 319 9028

Emniyet rondelası:

0000 702 6600



Bıçme bıçağının sabitleme elemanları (örn. bıçak cıvatası) bıçak değişimi ve/veya bıçak montajında değiştirilmelidir. Yedek parçaları STIHL yetkili satıcısından temin edebilirsiniz.

17. EU Uygunluk Beyanı

17.1 Benzin motorlu çim biçme makinesi (STIHL RM)

STIHL Tirol GmbH
Hans Peter Stihl-Straße 5
6336 Langkampfen
Avusturya

makinenin tek sorumluluğuna sahibiz
Çim biçme makinesi, benzinli motorlu manuel (STIHL RM)

Fabrika markası: STIHL
Seri numarası: 6338
Tip: RM 443.0
RM 443.0 T

Seri numarası: 6358
Tip: RM 448.0 PC
RM 448.0 PT
RM 448.0 T
RM 448.0 TC
RM 448.0 TX
RM 448.0 VC

aşağıdaki AB yönetmeliklerine uygun olduğunu beyan ederiz:
2011/65/EU, 2000/14/EC, 2014/30/EU, 2006/42/EC

Ürün aşağıdaki normlara uyarak geliştirilmiştir:
EN ISO 5395-1, EN ISO 5395-2, EN 14982

Ürünlerin geliştirilmesi ve üretilmesi amacıyla üretim tarihi için geçerli olan standartların geçerli versiyonu uygulanır.

Kullanılan confirmasyon değerlendirme prosedürü:
Ek VIII (2000/14/EC)

Katılımcı yerin adı ve adresi:

TÜV Rheinland LGA Products GmbH
Tillystraße 2
D-90431 Nürnberg

Teknik dokümanların toplanması ve saklanması:
Sven Zimmermann
STIHL Tirol GmbH

Üretim yılı ve makine numarası cihazın güç plakasında yer almaktadır.

Ölçülen gürültü seviyesi:

RM 443.0	93,0 dB(A)
RM 443.0 T	93,0 dB(A)
RM 448.0 PC	95,3 dB(A)
RM 448.0 PT	95,3 dB(A)
RM 448.0 T	95,7 dB(A)
RM 448.0 TC	95,7 dB(A)
RM 448.0 TX	95,3 dB(A)
RM 448.0 VC	95,3 dB(A)

Garanti edilen gürültü seviyesi:

RM 443.0	94 dB(A)
RM 443.0 T	94 dB(A)
RM 448.0 PC	96 dB(A)
RM 448.0 PT	96 dB(A)
RM 448.0 T	96 dB(A)
RM 448.0 TC	96 dB(A)
RM 448.0 TX	96 dB(A)
RM 448.0 VC	96 dB(A)

Langkampfen,
2019-01-02 (YYYY-AA-GG)

STIHL Tirol GmbH
vekaleten.



Sven Zimmermann

Konstrüksiyon Bölüm Başkanı

17.2 STIHL Yönetim merkezi adresi

ANDREAS STIHL AG & Co. KG
Postfach 1771
D-71301 Waiblingen

17.3 STIHL Dağıtım şirketleri adresleri

ALMANYA

STIHL Vertriebszentrale AG & Co. KG
Robert-Bosch-Straße 13
64807 Dieburg
Telefon: +49 6071 3055358

AVUSTURYA

STIHL Ges.m.b.H.
Fachmarktstraße 7
2334 Vösendorf
Telefon: +43 1 86596370

İSVİÇRE

STIHL Vertriebs AG
Isenrietstraße 4
8617 Mönchaltorf
Telefon: +41 44 9493030

ÇEK CUMHURİYETİ

Andreas STIHL, spol. s r.o.
Chrlická 753
664 42 Modřice

17.4 STIHL İthalatçılar adresleri

BOSNA HERSEK

UNIKOMERC d. o. o.
Bišće polje bb
88000 Mostar
Telefon: +387 36 352560
Faks: +387 36 350536

HIRVATİSTAN

UNIKOMERC - UVOZ d.o.o.

Sjedište:
Amruševa 10, 10000 Zagreb
Prodaja:
Ulica Kneza Ljudevita Posavskog 56,
10410 Velika Gorica
Telefon: +385 1 6370010
Faks: +385 1 6221569

TÜRKİYE

SADAL TARIM MAKİNALARI DIŞ
TİCARET A.Ş.
Alsancak Sokak, No:10 I-6 Özel Parsel
34956 Tuzla, İstanbul
Telefon: +90 216 394 00 40
Faks: +90 216 394 00 44

18. Teknik veriler

**RM 443.0, RM 443.0 T, RM 448.0 PC,
RM 448.0 PT, RM 448.0 T, RM 448.0 TC,
RM 448.0 TX, RM 448.0 VC:**

Benzinli motor, türü	4 zamanlı benzinli motor
Start mekanizması	Telle motor startı
Kesim mekanizması	Bıçak sütunu sürekli
Bıçak sütunu tahriki	sürekli
Bıçak civatası sıkma torku	60 - 65 Nm
Güvenlik tesisatları	Motoru durdurma
Ön tekerlek Ø	180 mm
Arka tekerlek Ø	200 mm
Çim toplama sepeti dolm miktarı	55 l
Kesim yüksekliği	25 - 75 mm

RM 443.0, RM 443.0 T:

Seri numarası	6338
Kesim genişliği:	41 cm

RM 443.0:

Benzinli motor: Üretici, tip	Briggs & Stratton, Series 550 EX OHV RS
Silindir hacmi	140 ccm
Nominal hız sayısında nominal performans	2,1 - 2800 kW - dev/dk
Yakıt deposu	0,8 l
Bıçak sütunu devir sayısı	2800 dev/dk
Tekerlek tahriki	hayır
Uzunluk	144 cm
Genişlik	49 cm
Yükseklik	109 cm
Ağırlık	23 kg

Gürültü emisyonları

Yönetmelik 2000/14/EC uyarınca:

Garanti edilen
gürültü seviyesi L_{WAAd} 94 dB(A)

Yönetmelik 2006/42/EC uyarınca:

Çalışma mahallinde
gürültü seviyesi L_{pA} 81 dB(A)Belirsizlik K_{pA} 2 dB(A)**El kol titreşimleri**EN 12096 uyarınca belirtilen karakteristik
titreşim değeri:Ölçülen değer a_{hw} 4,10 m/sn²Güvensizlik K_{hw} 2,05 m/sn²

Ölçüm kriteri EN 20643

RM 443.0 T:

Benzinli motor: Üretici, tip	Briggs & Stratton, Series 550 EX OHV RS
Silindir hacmi	140 ccm
Nominal hız sayısında nominal performans	2,1 - 2800 kW - dev/dk

Yakıt deposu	0,8 l
Bıçak sütunu devir sayısı	2800 dev/dk
Tekerlek tahriki	1-vites ileri yumuşak kalkışlı
Uzunluk	144 cm
Genişlik	48 cm
Yükseklik	109 cm
Ağırlık	25 kg

Gürültü emisyonları

Yönetmelik 2000/14/EC uyarınca:

Garanti edilen
gürültü seviyesi L_{WAAd} 94 dB(A)

Yönetmelik 2006/42/EC uyarınca:

Çalışma mahallinde
gürültü seviyesi L_{pA} 81 dB(A)Belirsizlik K_{pA} 2 dB(A)**El kol titreşimleri**EN 12096 uyarınca belirtilen karakteristik
titreşim değeri:Ölçülen değer a_{hw} 4,10 m/sn²Güvensizlik K_{hw} 2,05 m/sn²

Ölçüm kriteri EN 20643

**RM 448.0 PC, RM 448.0 PT, RM 448.0 T,
RM 448.0 TC, RM 448.0 TX,
RM 448.0 VC:**

Seri numarası	6358
Kesim genişliği	46 cm

RM 448.0 PC:

Benzinli motor: Üretici, tip	Briggs & Stratton, Series 625
Silindir hacmi	150 ccm
Nominal hız sayısında nominal performans	2,2 - 2800 kW - dev/dk
Yakıt deposu	0,8 l

Bıçak sütunu devir sayısı	2800 D/dak
Tekerlek tahriki	1-vites ileri yumuşak kalkışlı
Uzunluk	147 cm
Genişlik	50 cm
Yükseklik	113 cm
Ağırlık	27 kg

Gürültü emisyonları

Yönetmelik 2000/14/EC uyarınca:

Garanti edilen
gürültü seviyesi L_{WAAd} 96 dB(A)

Yönetmelik 2006/42/EC uyarınca:

Çalışma mahallinde
gürültü seviyesi L_{pA} 83 dB(A)Belirsizlik K_{pA} 2 dB(A)**El kol titreşimleri**EN 12096 uyarınca belirtilen karakteristik
titreşim değeri:Ölçülen değer a_{hw} 3,00 m/sn²Güvensizlik K_{hw} 1,50 m/sn²

Ölçüm kriteri EN 20643

RM 448.0 PT:

Benzinli motor: Üretici, tip	Briggs & Stratton, Series 625
Silindir hacmi	150 ccm
Nominal hız sayısında nominal performans	2,2 - 2800 kW - dev/dk
Yakıt deposu	0,8 l
Bıçak sütunu devir sayısı	2800 D/dak
Tekerlek tahriki	1-vites ileri yumuşak kalkışlı
Uzunluk	147 cm
Genişlik	50 cm
Yükseklik	111 cm

Ağırlık 27 kg

Gürültü emisyonları

Yönetmelik 2000/14/EC uyarınca:

Garanti edilen
gürültü seviyesi $L_{WA,d}$ 96 dB(A)

Yönetmelik 2006/42/EC uyarınca:

Çalışma mahallinde
gürültü seviyesi L_{pA} 83 dB(A)

Belirsizlik K_{pA} 2 dB(A)

El kol titreşimleri

EN 12096 uyarınca belirtilen karakteristik
titreşim değeri:

Ölçülen değer a_{hw} 3,90 m/sn²

Güvensizlik K_{hw} 1,95 m/sn²

Ölçüm kriteri EN 20643

RM 448.0 T:

Benzinli motor:
Üretici, tip Briggs &
Stratton, Series
575

Silindir hacmi 140 ccm

Nominal hız
sayısında nominal
performans 2,1 - 2800
kW - dev/dk

Yakıt deposu 0,8 l

Bıçak sütunu devir
sayısı 2800 dev/dk

Tekerlek tahriki
1-vites ileri
yumuşak kalkışlı

Uzunluk 147 cm

Genişlik 50 cm

Yükseklik 111 cm

Ağırlık 26 kg

Gürültü emisyonları

Yönetmelik 2000/14/EC uyarınca:

Garanti edilen
gürültü seviyesi $L_{WA,d}$ 96 dB(A)

Yönetmelik 2006/42/EC uyarınca:

Çalışma mahallinde
gürültü seviyesi L_{pA} 83 dB(A)

Belirsizlik K_{pA} 2 dB(A)

El kol titreşimleri

EN 12096 uyarınca belirtilen karakteristik
titreşim değeri:

Ölçülen değer a_{hw} 3,90 m/sn²

Güvensizlik K_{hw} 1,95 m/sn²

Ölçüm kriteri EN 20643

RM 448.0 TC:

Benzinli motor:
Üretici, tip Briggs &
Stratton, Series
575

Silindir hacmi 140 ccm

Nominal hız
sayısında nominal
performans 2,1 - 2800
kW - dev/dk

Yakıt deposu 0,8 l

Bıçak sütunu devir
sayısı 2800 dev/dk

Tekerlek tahriki
1-vites ileri
yumuşak kalkışlı

Uzunluk 147 cm

Genişlik 50 cm

Yükseklik 113 cm

Ağırlık 27 kg

Gürültü emisyonları

Yönetmelik 2000/14/EC uyarınca:

Garanti edilen
gürültü seviyesi $L_{WA,d}$ 96 dB(A)

Yönetmelik 2006/42/EC uyarınca:

Çalışma mahallinde
gürültü seviyesi L_{pA} 83 dB(A)

Belirsizlik K_{pA} 2 dB(A)

El kol titreşimleri

EN 12096 uyarınca belirtilen karakteristik
titreşim değeri:

Ölçülen değer a_{hw} 3,50 m/sn²

Güvensizlik K_{hw} 1,75 m/sn²

Ölçüm kriteri EN 20643

RM 448.0 TX:

Benzinli motor:
Üretici, tip Briggs &
Stratton, Series
550 EX OHV RS

Silindir hacmi 140 ccm

Nominal hız
sayısında nominal
performans 2,1 - 2800
kW - dev/dk

Yakıt deposu 0,8 l

Bıçak sütunu devir
sayısı 2800 dev/dk

Tekerlek tahriki
1-vites ileri
yumuşak kalkışlı

Uzunluk 147 cm

Genişlik 50 cm

Yükseklik 111 cm

Ağırlık 26 kg

Gürültü emisyonları

Yönetmelik 2000/14/EC uyarınca:

Garanti edilen
gürültü seviyesi $L_{WA,d}$ 96 dB(A)

Yönetmelik 2006/42/EC uyarınca:

Çalışma mahallinde
gürültü seviyesi L_{pA} 83 dB(A)

Belirsizlik K_{pA} 2 dB(A)

El kol titreşimleri

EN 12096 uyarınca belirtilen karakteristik
titreşim değeri:

Ölçülen değer a_{hw} 4,10 m/sn²

Güvensizlik K_{hw} 2,05 m/sn²

Ölçüm kriteri EN 20643

RM 448.0 VC:

Benzinli motor:
Üretici, tip Briggs &
Stratton, Series
625

Silindir hacmi	150 ccm
Nominal hız sayısında nominal performans	2,2 - 2800 kW - dev/dk
Yakıt deposu	0,8 l
Bıçak sütunu devir sayısı	2800 dev/dk
Tekerlek tahriki	Vario ileri
Uzunluk	147 cm
Genişlik	50 cm
Yükseklik	113 cm
Ağırlık	28 kg

Gürültü emisyonları

Yönetmelik 2000/14/EC uyarınca:

Garanti edilen gürültü seviyesi $L_{WA,d}$ 96 dB(A)

Yönetmelik 2006/42/EC uyarınca:

Çalışma mahallinde gürültü seviyesi L_{pA} 83 dB(A)

Belirsizlik K_{pA} 2 dB(A)

El kol titreşimleri

EN 12096 uyarınca belirtilen karakteristik titreşim değeri:

Ölçülen değer a_{hw} 3,00 m/sn²

Güvensizlik K_{hw} 1,50 m/sn²

Ölçüm kriteri EN 20643

18.1 REACH

REACH, kimyasalların tescil edilmesi, değerlendirilmesi ve onaylanmasını kapsayan bir AT yönetmeliğinin adıdır.

1907/2006 No.lu REACH yönetmeliğinin (EG) yerine getirilmesine dair bilgiler www.stihl.com/reach altında verilmiştir.

19. Hata arama

✘ gerekirse servise başvurunuz, STIHL, STIHL yetkili servislerini önerir.

📖 bkz. benzinli motor kullanım kılavuzu.

Arıza:

Benzinli motor çalışmıyor

Olası nedeni:

- Motoru durdurma kolu çekilmemiştir
- Yakıt deposu boştur; yakıt borusu tıkanmıştır.
- Depodaki yakıt kötü, kirli veya eski.
- Hava filtresi kirlenmiş.
- Buji soketi bujiden çekilmiş, buji kablosu sokete kötü tespitlenmiş.
- Buji paslanmış veya hasarlı; elektrot mesafesi yanlış.

Giderilmesi:

- Motor durdurma kolunu gidona doğru bastırın ve tutun. (⇒ 9.2)
- Yakıt doldurunuz, yakıt borusunu temizleyiniz. ✘
- Güvenilir bir markaya sahip taze yakıt, kurşunsuz benzin kullanınız, karbüratörü temizleyiniz. ✘
- Hava filtresini temizleyiniz. ✘
- Buji soketini takınız; buji kablosu ile soket arasındaki bağlantıyı kontrol ediniz. ✘
- Bujiyi temizleyiniz veya değiştiriniz, elektrot mesafesini ayarlayınız. ✘

Arıza:

Benzinli motor çalışırken zorlanıyor veya benzinli motor gücü düşüyor

Olası nedeni:

- Çim biçme makinesi gövdesi tıkanmış.

- Çok alçak bir kesim kademesi ve/veya ilerleme hızı, kesim yüksekliğine oranla fazla büyük.
- Yakıt deposunda ve karbüratörde su var, karbüratör tıkanmış.
- Yakıt deposu kirlenmiş.
- Hava filtresi kirlenmiş.
- Buji paslanmış.

Giderilmesi:

- Çim biçme makinesi gövdesini temizleyin (buji soketini çekin!). (⇒ 12.3)
- Daha yüksek bir çalışma derinliğine ayarlayın ve/veya itme hızını azaltın. (⇒ 8.4)
- Yakıt deposunu boşaltın; yakıt borusunu, yakıt borusunu ve karbüratörü temizleyin. ✘
- Yakıt deposunu temizleyin. ✘
- Hava filtresini temizleyin. ✘
- Bujiyi temizleyin. ✘

Arıza:

Benzinli motor aşırı ısınıyor.

Olası nedeni:

- Benzinli motordaki yağ seviyesi yetersiz.
- Soğutma kanatçıkları kirlenmiş.

Giderilmesi:

- Motor yağını değiştirin. (⇒ 7.6)
- Soğutma kanatçığını temizleyin. (⇒ 12.3)

Arıza:

Çalışma esnasında kuvvetli titreşimler oluşuyor.

Olası nedeni:

- Kesim birimi hasarlı.

- Benzinli motorun tespitlemesi gevşemiş.

Giderilmesi:

- Biçme bıçağını, bıçak milini ve bıçak tespitlerini (Bıçak civatası ve emniyet rondelası) kontrol edin ve gerekirse tamir edin. ✘
- Benzinli motorun tespitlemesini sıkın. ✘

Arıza:

Kesim temiz değil, çimler sararıyor

Olası nedeni:

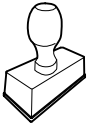
- Biçme bıçağı körelmiş veya aşınmıştır

Giderilmesi:

- Biçme bıçaklarını bileyin veya değiştirin (⇒ 12.6), (⇒ 12.5), ✘

20. Servis planı

20.1 Teslimat onayı


Model:	_____
Seri numarası:	
	<input type="text"/> <input type="text"/> <input type="text"/> <input type="text"/> <input type="text"/> <input type="text"/> <input type="text"/> <input type="text"/> <input type="text"/>
tarihi:	<input type="text"/> <input type="text"/> <input type="text"/> <input type="text"/> <input type="text"/> <input type="text"/> <input type="text"/> <input type="text"/>
	
Bir sonraki servis	
tarihi:	<input type="text"/> <input type="text"/> <input type="text"/> <input type="text"/> <input type="text"/> <input type="text"/> <input type="text"/> <input type="text"/>


20.2 Servis onayı



Bakım çalışmalarında bu kullanım kılavuzunu STIHL yetkili bayinize verin.

Önceden basılmış alanlara bakarak servis çalışmalarının onayını gerçekleştirecektir.

 Servisin yapıldığı tarih

 Bir sonraki servisin tarihi

Tisztelt vevő!

Örvendünk, hogy a STIHL mellett döntött. Termékeinket csúcsmínőségben fejlesztjük ki és gyártjuk, ügyfeleink szükségleteinek megfelelően. Így nagy megbízhatóságú termékek jönnek létre, extrém igénybevétel esetén is.

A STIHL a szerviz terén is csúcsmínőséget nyújt. Márkaszervizünk kompetens tanácsadást és betanítást, valamint átfogó műszaki segítséget nyújt.

Köszönjük bizalmát, és sok örömet kívánunk a STIHL terméke használatával.

Dr. Nikolas Stihl

**FONTOS! HASZNÁLAT ELŐTT
OLVASSA EL ÉS ŐRIZZE MEG.**

1. Tartalomjegyzék

A használati útmutatóhoz	80
Általános információk	80
Útmutató a használati útmutató olvasásához	80
A gép leírása	80
A biztonság érdekében	81
Általános információk	81
Tankolás – a benzin kezelése	82
Ruházat és felszerelés	82
A gép szállítása	83
Munkavégzés előtt	83
Munka közben	83
Karbantartás és javítások	85
Tárolás hosszabb üzemszünet esetén	86
Hulladékkezelés	87
A szimbólumok leírása	87
Szállítási terjedelem	88
A gép összeszerelése	88
Általános rész	88
Az egykezes tolókar felszerelése (RM 448 PC, RM 448 TC, RM 448 VC)	88
A kétkezes tolókar felszerelése (RM 443, RM 443 T, RM 448 PT, RM 448 T)RM 448 TX	88
A fűgyűjtő kosár összeszerelése	89
Az indítózsínór be- és kiakasztása	89
Üzemanyag és motorolaj	89
Kezelőelemek	89
Az egykezes tolókar beállítása (RM 448 PC, RM 448 TC, RM 448 VC)	89
A kétkezes tolókar lehajtása (RM 443, RM 443 T, RM 448 PT, RM 448 T, RM 448 TX)	90
Fűgyűjtő kosár	90
Központi vágásmagasság-állítás	90
Telítettséjelző	90
Biztonsági berendezések	90
Biztonsági berendezések	91
Motorleállító kar	91
Munkavégzési tanácsok	91
A kezelő munkaterülete	91
A gép üzembe helyezése	91
A benzinmotor beindítása	91
A benzinmotor leállítása	91
Kerékhajtás (RM 443 T, RM 448 PC, RM 448 PT, RM 448 T, RM 448 TX, RM 448 TC, RM 448 VC)	92
A fűgyűjtő kosár ürítése	92
Karbantartás	92
Általános rész	92
Benzinmotor	92
A gép tisztítása	92
A kés kopásának ellenőrzése	93
A fűnyíró kés le- és felszerelése	93
A fűnyíró kés élezése	94
Tárolás és téli leállítás	94
Szállítás	95
Szállítás	95
Környezetvédelem	95
A kopás minimalizálása és a meghibásodások elkerülése	95
Általános pótalkatrészek	96
A gyártó uniós megfelelőségi nyilatkozata	96
Benzinmotoros fűnyíró gép (STIHL RM)	96
Műszaki adatok	97

REACH	100
Hibakeresés	100
Szervizelési időpontok	101
Az átadás igazolása	101
A szervizelés igazolása	101

2. A használati útmutatóhoz

2.1 Általános információk

Ez a használati utasítás a 2006/42/EC irányelv értelmében a gyártó által kiadott **eredeti használati útmutatónak** minősül.

A STIHL folyamatosan dolgozik termékpalettájának továbbfejlesztésén, ezért fenntartjuk a termékkialakítás, a technológia és a felszereltség megváltoztatásának jogát.

A fentiek miatt ennek a kiadványnak az adatai és ábrái alapján semmilyen igény nem támasztható.

A jelen használati utasításban adott esetekben olyan modellek leírása is szerepelhet, amely nem minden országban kaphatók.

Ezt a használati utasítást szerzői jogok védik. Minden jog fenntartva, különös tekintettel a sokszorosítás, a fordítás és az elektronikus rendszerek segítségével történő feldolgozás jogára.

2.2 Útmutató a használati útmutató olvasásához

Az ábrák és a szövegek adott kezelési lépéseket írnak le.

A gépen található valamennyi szimbólum magyarázata megtalálható a jelen használati útmutatóban.

Az ábrák nézőpontja:

A „bal” és a „jobb” értelmezése a használati útmutatóban:
A kezelő a gép mögött áll (munkahelyzet), és a haladási irányban előre felé tekint.

Hivatkozás fejezetre:

Kapcsolódó és további magyarázatot nyújtó fejezetekre és pontokra nyíl hívja fel a figyelmet. A következő példában egy fejezetre történő utalás látható: (⇒ 4.)

Szövegrészek jelölése:

A leírt utasítások az alábbi példákban látható módon lehetnek jelölve.

A felhasználó beavatkozását igénylő kezelési lépések:

- Lazítsuk meg az 1-es csavart csavarhúzóval, húzzuk meg a 2-es kart ...

Általános felsorolások:

- a termék sportrendezvényeken vagy egyéb versenyeken való használata

Kiemelt jelentőségű szövegrészek:

A kiemelt jelentőségű szövegrészek hangsúlyozása érdekében ezeket a részeket a használati útmutatóban az alábbi szimbólumok egyikével jelöljük.



Veszély!

Figyelmeztetés balesetveszélyre és súlyos személyi sérülésekre. A leírt tevékenységet szükséges vagy tilos elvégezni.



Figyelem!

Figyelmeztetés személyi sérülések veszélyére. A leírt tevékenység lehetséges vagy valószínű sérülésektől óv meg.



Vigyázat!

A leírt tevékenységgel könnyű sérülések, ill. anyagi károk kerülhetnek el.



Megjegyzés

A gép tökéletesebb használatára vagy a lehetséges hibás kezelés elkerülésére vonatkozó információ.

Ábrára hivatkozó szövegrészek:

A gép használatát magyarázó ábrák a használati útmutató elején találhatóak.

A használati útmutató szövegrészei mellett látható fényképezőgép-szimbólum az ábraoldalakon található megfelelő ábrára hivatkozik.



1

3. A gép leírása



1

- 1 Motorleállító kar
- 2 A kerékajtás karja (RM 443 T, RM 448 PC, RM 448 PT, RM 448 T, RM 448 TX, RM 448 TC, RM 448 VC)
- 3 A variátoros hajtás karja (RM 448 VC)
- 4 A tolókar felső része
- 5 Indítózsinór
- 6 Gyorsan állítható rögzítőkar (RM 443, RM 443 T, RM 448 PT, RM 448 T, RM 448 TX)
- 7 A tolókar alsó része (RM 443, RM 443 T, RM 448 PT, RM 448 T, RM 448 TX)
- 8 Benzinmotor
- 9 Hangtompító védőráccsal
- 10 Gyertyapipa

- 11 Elülső fogantyú
- 12 Első kerék
- 13 Hátsó kerék
- 14 Fűgyűjtő kosár
- 15 Hátsó fogantyú
- 16 Vágásmagasság-állító kar
- 17 Adattábla a gépszámmal
- 18 Tolókarkonzol (RM 448 PC, RM 448 TC, RM 448 VC)
- 19 A tolókar rögzítőkarja (RM 448 PC, RM 448 TC, RM 448 VC)

4. A biztonság érdekében

4.1 Általános információk



A géppel való munkavégzés közben feltétlenül tartsuk be az alábbi balesetvédelmi előírásokat.



Az első üzembe helyezés előtt figyelmesen el kell olvasni a teljes használati útmutatót. A használati útmutatót a későbbi használat érdekében gondosan meg kell őrizni.

Figyelembe kell venni a benzinmotor külön használati utasításában található kezelési és karbantartási utasításokat.

Az alábbi óvintézkedések elengedhetetlenek a személyi biztonság érdekében, azonban a felsorolás nem teljes körű. A gépet mindig előrelátóan, felelősségteljesen kell üzemeltetni, és szem előtt kell tartani, hogy a felhasználó felelős a más személyeket ért balesetekért vagy azok tulajdonának károsodásáért.

Ismerkedjünk meg a gép kezelőszerveivel és használatával.

A gépet csak olyan személyek használhatják, akik elolvasták a használati utasítást, és értenek a gép kezeléséhez. Az első üzembe helyezés előtt a felhasználónak törekednie kell arra, hogy szakszerű és gyakorlati eligazításban részesüljön. Az eladónak vagy más szakembernek el kell magyaráznia a felhasználónak, hogyan használható a gép biztonságosan.

Az eligazítás során különösen arra kell felhívni a figyelmét a felhasználónak, hogy a géppel végzett munkához fokozott óvatosság és koncentráció szükséges.

A kockázatok a gép előírás szerű használata esetén sem küszöbölhetők ki teljesen.



Fulladás miatti életveszély!

A csomagolóanyaggal játszó gyermekeket fulladásveszély fenyegeti. A csomagolóanyagot mindig tartsuk távol a gyermekektől.

A gépet – ideértve valamennyi kiegészítő berendezését – csak olyan személyeknek szabad tovább-, ill. kölcsönadni, akik alapvetően ismerik e géptípust és kezelését. A használati utasítás a géphez tartozik, ezért mindig a géppel együtt kell továbbadni.

A gépet csak kipihenten, jó szellemi és fizikai kondícióban szabad használni. Egészségügyi panaszok esetén javasolt az orvos megkérdezése arról, lehetséges-e a géppel történő munkavégzés. A reakcióképességet befolyásoló gyógyszerek szedése, alkohol, illetve kábítószeres fogyasztása után tilos a géppel dolgozni.

A gépet soha nem használhatják gyermekek, korlátozott fizikai, érzékelési vagy szellemi képességű személyek,

valamint megfelelő tapasztalattal és tudással nem rendelkező személyek, akik nem ismerik a gépre vonatkozó utasításokat.

Soha ne engedjük meg, hogy gyermekek vagy 16 év alatti személyek használják a gépet. Helyi rendelkezések korhatárhoz köthetik a gép használatát.

A gép magáncélú felhasználásra szolgál.

Figyelem – balesetveszély!

A fűnyíró gép csak fűnyírásra szolgál. Ettől eltérő alkalmazás nem megengedett, mert veszélyes lehet, vagy a gép károsodásához vezethet.

A felhasználó testi épségének veszélyeztetése miatt a fűnyíró gépet nem szabad az alábbiakra használni (nem teljes körű felsorolás):

- bokrok, sövények és cserjék nyírására,
- futónövények nyírására,
- fűápolásra tetőkerteken és virágládákban,
- fa- és sövénynyesedék aprítására,
- gyalogutak tisztítására (felszívás, lefújás),
- talajjegenetlenségek, pl. vakondtúrások elegyengetésére,
- a lenyírt fű szállítására, hacsak nem rendelkezik az erre szolgáló fűgyűjtő kosárral.

Biztonsági okokból a STIHL által jóváhagyott tartozékok szakszerű felszerelésén kívül a gép minden módosítása tilos, és a garancia megszűnéséhez vezet. Az engedélyezett tartozékokról a STIHL szakkereskedők szolgáltatnak információkkal.

Különösen tilos a gépen a teljesítménynek vagy a benzinmotor, ill. a villanymotor fordulatszámának módosítására irányuló bármilyen beavatkozást végezni.

A géppel tilos tárgyakat, állatokat vagy személyeket – különösen gyerekeket – szállítani.

Közterületen, parkokban, sportpályákon, út mentén, mező- és erdőgazdasági üzemekben történő használat során különös óvatosság szükséges.



Figyelem! A fellépő rezgések veszélyeztethetik az egészséget! A rezgések miatti túlzott terhelés keringési vagy

idegrendszeri károk okozhat, különösen keringési problémákkal rendelkező személyek esetén. Forduljon orvoshoz, amennyiben olyan tünetek jelentkeznek, amelyeket a rezgési terhelés válthatott ki. Ilyen – főként az ujjakban, a kezekben vagy a csuklókon jelentkező – tünetek lehetnek többek között például az alábbiak:

- érzéketlenség,
- fájdalomérzet,
- izomgyengeség,
- bőrszíneződés,
- kellemetlen bizsergés.

Használat közben erősen, azonban ne görcsösen tartsuk a tolókart két kézzel, az erre szolgáló helyeken.

Az üzemidőt úgy tervezzük meg, hogy elkerülhető legyen a hosszabb időtartamú nagyfokú terhelés.

4.2 Tankolás – a benzin kezelése



Életveszély!

A benzin mérgező és rendkívül gyúlékony.

Benzin csak arra alkalmas és bevizsgált tartályokban (kannákban) tárolható. A benzintartályok sapkáját mindig szabályszerűen be kell csavarni és erősen meg kell húzni. A sérült zárósapkákat biztonsági okokból ki kell cserélni.

Ne használjunk italos palackokat vagy hasonlókat üzemanyagok hulladékkezelésére vagy tárolására. A palack arra indíthat esetleg valakit – különösen gyerekeket –, hogy igyon belőle.



Tartsuk távol a benzint szikrától, nyílt lángtól, állandó lángtól, hőforrásoktól és egyéb gyújtóforrásoktól. Tilos a dohányzás!

Az üzemanyag töltését csak a szabadban végezzük, és közben ne dohányozzunk.

Az üzemanyag betöltése előtt állítsuk le, és hagyjuk lehűlni a benzinmotort.

A benzint a benzinmotor indítása előtt kell betölteni. Amíg a benzinmotor jár, vagy a gép forró, nem szabad kinyitni a tanksapkát, sem benzint betölteni.

Ne töltsük túl az üzemanyagtartályt!

Soha ne töltsük fel az üzemanyagtartályt a töltőcsont alsó pereme feletti szintig, hogy az üzemanyagnak elegendő helye legyen a táguláshoz.

Vegyük figyelembe a benzinmotor használati utasításában leírtakat is.



Ha melléfolyt az üzemanyag, ne indítsuk el a benzinmotort, amíg nem tisztítottuk meg a benzinnel szennyezett felületet. Nem szabad indítási (gyújtási) kísérletet végezni, amíg a benzingőzök el nem párologtak (szárazra törlés).

A kiömlött üzemanyagot mindig fel kell törölni.

A benzinnel szennyezett ruhadarabokat le kell cserélni.

Soha ne legyen benzin a gép üzemanyagtartályában, ha a gépet épületen belül tároljuk. A keletkezett benzingőzök nyílt láng vagy szikra hatására meggyulladhatnak.

Ha ki kell üríteni az üzemanyagtartályt, azt a szabadban végezzük.

4.3 Ruházat és felszerelés



A munka során mindig erős, nem csúszó talpú lábbelit viseljük. Soha ne dolgozzunk mezítláb vagy például szandálban.



Ezenfelül a karbantartási és a tisztítási munkák során, valamint a gép szállításakor mindig erős lábbelit kell viselni, továbbá a hosszú hajat össze kell fogni és biztosítani kell (fejkendő, sapka stb.).



A fűnyíró kés élezésekor megfelelő védőszemüveget kell viselni.

A gépet csak hosszú nadrágban és szoros ruházatban szabad üzembe helyezni.

Soha ne viseljünk nem testhez simuló ruhadarabokat, amelyek a mozgatható alkatrészekbe (kezelőkarok) akadhatnak, így tilos az ékszerek, nyakkendők, sálak viselése.



Munka közben zaj keletkezik. A zaj károsíthatja a hallást.

Viseljünk hallásvédőt.

4.4 A gép szállítása

Az éles peremű vagy forró alkatrészek okozta sérülések elkerülése érdekében csak kesztyűben dolgozzunk.

A gépet nem szabad járó benzinmotorral szállítani. Szállítás előtt kapcsoljuk ki a benzinmotort, hagyjuk leállni a késeket, és húzzuk le a gyertyapipát.

A gépet csak lehűlt benzinmotorral, üzemanyag nélkül szabad szállítani.

Járműre helyezéshez használjunk megfelelő rakodási segédeszközt (rakodórampát, emelőszerkezetet).

A gépet és a gép együtt szállított alkatrészeit (pl. fűgyűjtő kosár) a jármű rakfelületén megfelelően méretezett rögzítőeszközökkel (hevederek, kötelek stb.) kell biztosítani.

A gép megemelése és kézben szállítása során kerüljük az érintkezést a fűnyíró késsel.

Tartsuk be a „Szállítás” fejezetben foglaltakat, ahol megtalálhatók a gép megemelésével, ill. rögzítésével kapcsolatos tudnivalók. (⇒ 13.)

A gép szállításakor be kell tartani a helyi jogszabályi előírásokat, különösen a rakományok biztonságára és a tárgyak rakodófelületeken történő szállítására vonatkozó előírásokat.

4.5 Munkavégzés előtt

Biztosítani szükséges, hogy a géppel csak olyan személyek dolgozzanak, akik ismerik a használati útmutatót.

A gép üzembe helyezése előtt ellenőrizni kell az üzemanyagrendszer tömítettségét, különösen a látható alkatrészeket, pl. az üzemanyagtartályt, a tanksapkát és a tömlőcsatlakozásokat. Tömítetlenség vagy sérülés esetén tilos beindítani a benzinmotort – **tűzveszély!**

A gépet üzembe helyezés előtt szakszervizben meg kell javíttatni.

Be kell tartani a benzinmotoros, ill. villanymotoros kerti gépek használati idejére vonatkozó helyi rendeleteket.

Alaposan vizsgáljuk át a terepet, ahol a gépet használni fogjuk, és távolítsunk el minden követ, botot, drótot, csontot és más kemény tárgyat, amelyet a gép a magasba repíthet. Az akadályok (pl. fatörzsek, gyökerek) a magas fűben sokszor nehezen vehetők észre.

Ezért a géppel végzett munka előtt jelöljük meg a füves területen nem észrevehető és nem eltávolítható valamennyi idegen tárgyat (akadályt).

A gép használata előtt ki kell cserélni a hibás, elhasználódott vagy sérült alkatrészeket. A gép olvashatatlaná vált vagy megsérült figyelmeztető és veszélyjelzéseit ki kell cserélni. A pótmaticák és minden további pótalkatrész beszerezhető a STIHL szakkereskedőknél.

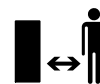
A gép használata előtt ellenőrizni kell a gyertyapipa megfelelő rögzítettségét a gyűjtőgyertyán.

A gépet csak üzembiztos állapotban szabad használni. Üzembe helyezés előtt mindig győződjünk meg a következőkről:

- A gép előírászerűen összeszerelt állapotban van.
- Kifogástalan állapotban van a vágóeszköz és a teljes vágóegység (a fűnyíró kés, a rögzítőelemek és a nyírószerkezet háza). Különös figyelmet kell fordítani az alkatrészek biztonságos rögzítettségére, épségére (nem lehetnek rajtuk kicsorbulások, repedések), valamint kopottságára. (⇒ 12.4)
- Megfelelően fel van csavarva a tanksapka.
- Kifogástalan állapotban van az üzemanyagtartály, az üzemanyag-továbbító alkatrészek és a tanksapka.
- Kifogástalan állapotban vannak és megfelelően működnek a biztonsági berendezések (pl. a motorleállító kar, a kidobónyílás fedele, a ház, a tolókar és a védőrács).
- A fűgyűjtő kosár ép és teljesen fel van szerelve – sérült fűgyűjtő kosár nem használható.
- Megfelelően be van csavarva az olajleeresztő csavar.

El kell végezni minden szükséges munkát, illetve szakszervizbe kell vinni a gépet. A STIHL cég erre a célra a STIHL szakszervizeket ajánlja.

4.6 Munka közben



Soha ne végezzünk munkát, ha mások – főleg gyerekek – vagy állatok tartózkodnak a veszélyes területen.

Tilos a gyártó által a gépbe épített biztonsági és kapcsolóberendezéseket kiszerezni vagy áthidalni. Különösen a motorleállító kart nem szabad soha a tolókarhoz rögzíteni (pl. odakötözéssel).



Figyelem – sérülésveszély!

Soha ne tegyük a kezünket vagy a lábunkat a forgó alkatrészekre vagy azok alá.

Soha ne érjünk a forgó késhez. Mindig maradjunk távol a kidobónyílástól.

A tolókar által adott biztonsági távolságot mindig be kell tartani. A tolókarnak mindig szabályszerűen felszerelve kell lennie, amit tilos megváltoztatni. A gépet soha nem szabad lehajtott tolókarral üzembe helyezni.

Soha ne rögzítsünk tárgyakat (pl. munkaruhát) a tolókarhoz.

Csak napfény vagy megfelelő mesterséges megvilágítás mellett dolgozzunk.

Tilos a géppel dolgozni esőben, viharban, illetve különösen villámcsapás veszélye esetén.

Nedves talajon a csúszásveszély miatt fokozott balesetveszély áll fenn. Ekkor különösen óvatos munkavégzés szükséges az elcsúszás megakadályozása érdekében. Lehetőség szerint kerülni kell a gép nedves talajon történő használatát.

Füstgázok:



Mérgezés miatti életveszély!

Rosszullét, fejfájás, látászavar (pl. szűkülő látómező), hallászavar, szédülés, csökkenő koncentrációképesség esetén a munkát azonnal be kell fejezni. Ezeket a tüneteket többek között a túl magas füstgáz-koncentráció is okozhatja.



A gép a benzinmotor beindulásakor azonnal mérgező kipufogógázokat termel. Ezek a gázok mérgező,

szintelen és szagtalan szén-monoxidot, valamint egyéb káros anyagokat tartalmaznak. Benzinmotoros gépet sosem szabad zárt vagy rosszul szellőző helyiségben üzembe helyezni.

Beindítás:

A gépet óvatosan indítsuk be, „A gép üzembe helyezése” (⇒ 11.) című fejezetben foglalt utasítások szerint. Az előírások szerint történő beindítás csökkenti a sérülésveszélyt.

Sérülésveszély!

Ha az indítózsínór gyorsan visszaugrik, gyorsabban a benzinmotor felé ránthatja a felhasználó kezét és karját, mint ahogy a felhasználó el tudná engedni az indítózsínórt. Ez a rántás csonttörést, zúzódást és rándulást okozhat.

A beindításnál mindig ügyeljünk arra, hogy a lábunk elég távol legyen a vágóeszköztől.

Tilos a gépet indításakor megdönteni.

A motor indításakor nem szabad a kerékajtás karját működtetni.

Ne indítsuk be a benzinmotort, ha a kidobócsatorna nincs letakarva a kidobónyílás fedelével, ill. a fűgyűjtő kosárral.

Munkavégzés lejtős terepen:

Lejtős terepen mindig keresztben kell haladni, soha nem hosszanti irányban. Ha a felhasználó hosszanti irányban történő fűnyírás esetén elveszíti az ellenőrzést a gép felett, akkor esetleg a járó gép is elgázolhatja.

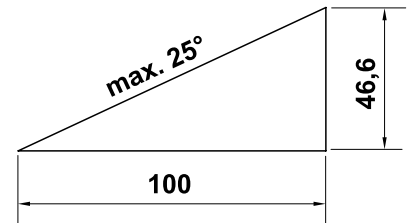
Rendkívül óvatosan járjunk el, ha lejtős terepen megváltoztatjuk a menetirányt.

Ügyeljünk arra, hogy lejtős terepen mindig stabilan álljunk, valamint kerüljük a túl meredek lejtőkön történő munkavégzést.

A gépet biztonsági okokból nem szabad 25°-nál (46,6%) meredekebb domboldalakon használni.

Sérülésveszély!

25° meredekség 100 cm-es vízszintes távolságra vetítve 46,6 cm-es függőleges emelkedésnek felel meg.



A benzinmotor megfelelő kenésének biztosítása érdekében a gép emelkedőn történő használatakor figyelembe kell venni a benzinmotor mellékelt használati utasításában foglaltakat is.

Munkavégzés:



Sérülésveszély!

Soha ne tegyük kezünket vagy lábunkat forgó alkatrészekre vagy azok alá vagy fölé.



Ne kíséreljük meg a kés megfigyelését a fűnyíró gép üzemelése közben. Soha ne nyissuk ki a kidobónyílás fedelét, és/vagy ne vegyük le a fűgyűjtő kosarat, amíg a kés forog. A forgó kés sérüléseket okozhat.

Csak lépéstempóban vezessük a gépet – soha ne szaladjunk a géppel végzett munka során. A gyors haladás növeli a megbotlás, elcsúszás stb. okozta sérülések veszélyét.

Különösen óvatosan járjunk el, ha a gépet megfordítjuk vagy magunk felé húzzuk.

Botlásveszély!

Fokozott elővigyázattal használjuk a gépet, ha lejtők, peremek, mélyedések vagy töltések közelében dolgozunk. Különösen figyeljünk arra, hogy megfelelő távolságot tartsunk az ilyen veszélyforrásoktól.

A füves talajon lévő nehezen látható tárgyakat (öntözőberendezések, cölöpök, vízcsapok, alapok, elektromos vezetékek stb.) ki kell kerülni. Soha ne haladjunk át ezeken a tárgyakon.



STOP

Vegyük figyelembe a vágóeszköz utánforgási idejét, ami a teljes leállásig néhány másodpercet vehet igénybe.

Kapcsoljuk ki a benzinmotort, várjuk meg, amíg a meghajtott eszköz leáll, és húzzuk le a gyertyapipát a következő esetekben:

- Ha magára hagyjuk a gépet, ill. a gép felügyelet nélkül marad.
- Üzemanyag betöltése előtt. A tankolást csak kihűlt benzinmotor mellett szabad végezni.

Tűzveszély!

- Mielőtt az alkatrészek megszorulásának vagy a kidobócsatornában keletkezett eltömődések megszüntetéséhez kezdünk.
- A gép felemelése és hordozása előtt.
- A gép szállítása előtt.
- A fűnyíró késen végzett munkák előtt.
- A gép ellenőrzése, tisztítása vagy egyéb munkák (pl. a tolókar lehajtása) előtt.
- Ha a gép idegen tárgyba ütközött, vagy a fűnyíró gépen szokatlanul erős rezgések lépnek fel. Ilyen esetben ellenőrizni kell a gépet, különös tekintettel a vágóegység (kés, késtengely, késrögzítés) épségére, és el kell végezni a szükséges javításokat a gép újraindítása és a géppel végzett további munka előtt.



Sérülésveszély!

Az erős rezgések általában hibára utalnak.

Szigorúan tilos a fűnyíró gépet sérült vagy elhajlott forgattyús tengellyel, illetve sérült vagy meghajlott fűnyíró késsel üzembe helyezni.

Ha nem rendelkezünk megfelelő ismeretekkel, a szükséges javításokat szakemberrel végeztessük – lehetőség szerint STIHL szakszervizhez forduljunk.

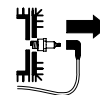
Kapcsoljuk ki a benzinmotort,

- ha a gépet a művelendő terület felé toljuk, vagy azt elhagyjuk,
- mielőtt a gépet nem fűvel borított területre toljuk,
- mielőtt felnyitjuk a kidobónyílás fedelét, vagy levesszük a fűgyűjtő kosarat,
- ha a gépet szállításhoz meg kell dönteni,
- a vágási magasság beállítása előtt.

4.7 Karbantartás és javítások

A tisztítási, beállítási, javítási és karbantartási munkálatok előtt végezzük el a következőket:

- állítsuk a gépet szilárd, sík talajra,
- állítsuk le és hagyjuk lehűlni a benzinmotort,
- húzzuk le a gyertyapipát.



Figyelem – sérülésveszély!

Tartsuk távol a gyertyapipát a gyújtógyertyától, nehogy véletlenül gyújtószikra keletkezzen, ami tűzhoz vagy áramütéshez vezethet. Ha a gyújtógyertya véletlenül hozzáér a gyertyapipához, a benzinmotor váratlanul beindulhat.



Sérülésveszély a fűnyíró kés miatt!

Az indítózsínór meghúzásával a meghajtott eszköz forgó mozgásba lendül. Az indítózsínór meghúzásakor mindig ügyeljünk a fűnyíró késtől való megfelelő távolságra (különösen a kezeket és a lábakat illetően).

Hagyjuk lehűlni a gépet, különösen a benzinmotor, a kipufogó-gyújtócső és a hangtompító területén végzett munkák előtt. Ezek a területek akár 80 °C-osak is lehetnek. **Égési sérülés veszélye!**

A motorolajjal történő közvetlen érintkezés veszélyes lehet, továbbá figyelni kell arra, hogy ne öntsük mellé a motorolajat. A motorolaj betöltését, ill. a motorolaj cseréjét javasolt STIHL szakkereskedőkre bízni.

Tisztítás:

Munka után a teljes gépet gondosan meg kell tisztítani. (⇒ 12.3)

A gép tisztítási helyzetbe állítása előtt ürítsük ki az üzemanyagtartályt (pl. üresre járatással).

A fűlerakódásokat fadarabbal távolítsuk el. A fűnyíró gép alsó oldalát kefével és vízzel tisztítsuk meg.

Soha ne használjon nagynyomású tisztítógépet, és ne tisztítsa a gépet folyó víz alatt (pl. locsolótömlővel). Ne használjon agresszív tisztítószereket. Ezek a műanyag és fém alkatrészek sérülését okozhatják, ami hátrányosan befolyásolhatja a STIHL gép biztonságos működését.

A tűzveszély elkerülése érdekében tartsuk tisztán a hűtő szellőzőnyílások, a hűtőbordák és a kipufogó területét pl. a fűtől, szalmától, mohától, falevelektől vagy a kifolyó zsírtól.

Karbantartási munkák:

Csak a jelen használati utasításban leírt karbantartási munkákat végezheti el a felhasználó, minden más munkát szakszervizben kell elvégeztetni. Ha Ön nincs a szükséges ismeretek vagy segédeszközök birtokában, **mindig** forduljon szakszervizhez.

A STIHL azt javasolja, hogy a karbantartási és javítási munkákat csak STIHL szakszervizzel végeztesse el.

A STIHL szakszervizek munkatársai oktatásokon vesznek részt, és rendelkezésükre állnak a cég által kiadott műszaki információk is.

Csak olyan szerszámokat, tartozékokat és kiegészítő berendezéseket használjon, amelyeket a STIHL az adott géphez jóváhagyott vagy azokkal műszakilag egyenértékűek, ellenkező esetben személyi sérüléssel vagy a gép károsodásával járó baleset veszélye következhet be. Kérdéseivel forduljon bizalommal valamelyik szakszervizhez.

A STIHL eredeti szerszámjai, tartozékai és a pótalkatrészek optimálisan az adott berendezéshez, és a kezelő igényeihez vannak hangolva. Az eredeti STIHL pótalkatrészek a STIHL alkatrészszámáról, a STIHL feliratról és adott esetben a STIHL alkatrészszimbólumról ismerhetők fel. Kisméretű alkatrészeken szerepelhet a szimbólum magában is.

Biztonsági okokból rendszeresen ellenőrizzük az üzemanyagot továbbító alkatrészek (üzemanyag-vezeték, üzemanyagcsap, üzemanyagtartály, tanksapka, csatlakozások stb.) épségét és tömítettségét. Szükség esetén cseréltesük ki azokat szakemberrel (lehetőleg STIHL szakszervizhez forduljunk).

Mindig tartsa tisztán és olvashatóan a figyelmeztető és tájékoztató címkéket. A sérült vagy elveszett címkéket a STIHL szakkereskedőknél beszerezhető eredeti címkékre kell kicserélni. Ha valamelyik alkatrészt újra cseréli ki, ügyeljen arra, hogy az új alkatrész ugyanolyan címkével legyen ellátva.

A vágóegységen végzett munkák csak vastag munkakesztyűben, a legnagyobb óvatosság mellett végezhető.

A gép biztonságos üzemállapota érdekében minden anyacsavar, csapszeg és csavar, különösen a késrögzítő csavar mindig erősen legyen meghúzva.

Ellenőrizzük rendszeresen az egész gépet és a fűgyűjtő kosarat – különösen hosszabb tárolás, pl. téli szünet előtt – a kopásra és az alkatrészek épségére nézve. Biztonsági okokból azonnal ki kell cserélni az elhasználódott vagy sérült alkatrészeket, hogy a gép mindig biztonságos üzemállapotban legyen.

Soha ne változtassunk a benzinmotor alapbeállításán, és ne pörgessük túl a motort.

Ha a karbantartási munkákhoz alkatrészeket vagy védelmi eszközöket szereltünk le, a munka végeztével haladéktalanul, előírás szerint szereljük vissza őket.

4.8 Tárolás hosszabb üzemszünet esetén

Várjuk meg, amíg a benzinmotor lehül, és csak azután vigyük a gépet zárt helyiségbe.

A gépet – üres tankkal – és az üzemanyagokat zárható, jól szellőző helyiségben tároljuk.

Gondoskodni szükséges arról, hogy a gép védve legyen illetéktelen (pl. gyermekek által történő) használatlaltal szemben.

Soha ne legyen benzin a gép üzemanyagtartályában, ha a gépet épületen belül tároljuk. A keletkezett benzingőzők nyílt láng vagy szikra hatására meggyulladhatnak.

Ha ki kell üríteni az üzemanyagtartályt (pl. téli leállítás előtti üzemén kívül helyezés esetén), az üzemanyagtartály kiürítését csak a szabadban végezzük (pl. üresre járatással).

Tárolás (pl. téli leállítás) előtt a gépet alaposan meg kell tisztítani.

A gépet csak lehúzott gyertyapipával szabad tárolni.

A gépet csak üzembiztos állapotban szabad tárolni.

Letakarás előtt hagyjuk a gépet teljesen kihűlni.

4.9 Hulladékkezelés

A hulladékok (pl. fáradt olaj, üzemanyag, használt kenőanyag, szűrők, akkumulátorok és hasonló kopó alkatrészek) károsak lehetnek az egészségre, az állatokra és a környezetre, ezért szakszerűen ártalmatlanítani kell ezeket.

A hulladékok szakszerű ártalmatlanításával kapcsolatban forduljunk a helyi hulladék-újrahasznosító telephez vagy a szakszervizhez. A STIHL erre a célra a STIHL szakszervezetet ajánlja.

A már nem használt gép leselejtezését szakszerű módon kell végezni. A leselejtezés előtt a gépet működésképtelenné kell tenni. A balesetek megelőzése érdekében ehhez különösen a gyújtókábel eltávolítása, az üzemanyagtartály kiürítése és a motorolaj leengedése szükséges.

Sérülésveszély a fűnyíró kés miatt!

A már nem használt fűnyíró gépet soha ne hagyjuk felügyelet nélkül. A gépet és különösen a fűnyíró kést úgy kell tárolni, hogy gyermekek ne férhessenek hozzá.

5. A szimbólumok leírása



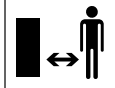
Figyelem!

Üzembe helyezés előtt olvassuk el a használati útmutatót.



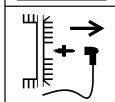
Sérülésveszély!

Tartsunk távol másokat a veszélyes területtől.



Sérülésveszély!

A vágóeszközön végzendő munkák, karbantartási és tisztítási munkálatok előtt húzzuk le a gyertyapipát.



Sérülésveszély!

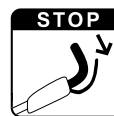
A kezünket és lábunkat tartsuk távol a késektől!

A vágószerkezet a leállítás után néhány másodpercig még forog (a benzinmotor fékje/késfék).



RM 443, RM 443 T,
RM 448 PT, RM 448 T,
RM 448 TX:

A benzinmotor beindítása



RM 443, RM 443 T,
RM 448 PT, RM 448 T,
RM 448 TX:

A benzinmotor leállítása



RM 443 T, RM 448 PT,
RM 448 T, RM 448 TX:

A kerékajtás bekapcsolása



RM 448 PC, RM 448 TC,
RM 448 VC:

A benzinmotor beindítása



RM 448 PC, RM 448 TC,
RM 448 VC:

A benzinmotor leállítása



RM 448 PC, RM 448 TC,
RM 448 VC:

A kerékajtás bekapcsolása



RM 448 VC:

A menetsebesség beállítása
(⇒ 11.3)

6. Szállítási terjedelem



Jel	Megnevezés	db
A	Alapgép	1
B	A fűgyújtó kosár felső része	1
C	A fűgyújtó kosár alsó része	1
D	Csapszeg	2
–	Használati utasítás	1
–	Használati utasítás Benzinmotor	1

**RM 443, RM 443 T, RM 448 PT,
RM 448 T, RM 448 TX:**

Jel	Megnevezés	db
E	Gyorsan állítható rögzítőkar	2
F	Csavar	2
G	Kábelvezető	2
H	Védőhüvely	2

RM 448 PC, RM 448 TC, RM 448 VC:

Jel	Megnevezés	db
I	Hüvely	1
J	Csavar	1
K	Alátét	2
L	Anyacsavar	1

7. A gép összeszerelése

7.1 Általános rész



Sérülésveszély

Tartsuk be „A biztonság érdekében“ fejezetben foglalt biztonsági tudnivalókat (⇒ 4.).

- Az összes leírt munkát elvégzéséhez a gépet vízszintes, sík, szilárd talajra kell helyezni.

7.2 Az egykezes tolókar felszerelése (RM 448 PC, RM 448 TC, RM 448 VC)



- 1** Helyezzük a hüvelyt (I) a tolókar (1) furatába.
- 2** Illesszük a két alátétet (K) a domború részükkel befelé a tolókarba helyezett hüvelyre (1).
- 3** Tartsuk meg a hüvelyt (I) és az alátéteket (K) a tolókaron (1), majd helyezzük a szerelvényt a tolókar konzol (2) tartójába.
- 4** Toljuk át a csavart (J) kívülről befelé a tolókaron (1) és a tolókar konzolon (2) található furatokon.
- 5** Csavarjuk fel az anyacsavart (L).
- 6** Húzzuk meg a csavart (J).
Meghúzási nyomaték: **18 - 22 Nm**

A huzalok felszerelése:

- RM 448 PC, RM 448 TC:
Az ábra szerint illesszük a motorleállító huzalt (3) és a kerék hajtás huzalját (4) a tolókar konzolon és a tolókaron lévő huzalvezetőkhöz (6).
RM 448 VC:
Az ábra szerint illesszük a motorleállító huzalt (3), a kerék hajtás huzalját (4) és a variátoros hajtás huzalját (5) a tolókar konzolon és a tolókaron lévő huzalvezetőkhöz (6).

7.3 A kétkezes tolókar felszerelése (RM 443, RM 443 T, RM 448 PT, RM 448 T) RM 448 TX



- Illesszük a védőhüvelyeket (H) a tolókar alsó részének (1) két végére.
- Toljuk át a csavart (F) a kábelvezető (G) furatán.
- Tartsuk a tolókar felső részét (2) a tolókar alsó részeihez (1).
- Bal oldal:
Akasszuk be a kábelvezetőt (G) a motorleállító huzalba (3).
- Jobb oldal (RM 443 T, RM 448 PT, RM 448 T, RM 448 TX):
Akasszuk be a kábelvezetőt (G) a kerék hajtás huzaljába (4).
- Mindkét oldalon toljuk át a csavart (F) belülről kifelé a furatokon.
- Csavarjuk rá a gyorsan állítható rögzítőkarokat (E) a csavarokra (F) (a csavarokból körülbelül egy menetnyi álljon ki), majd hajtjuk fel a rögzítőkarokat.
- Ellenőrizzük a megfelelő felszerelést:
A gyorsan állítható rögzítőkarokat (E) annyira kell meghúzni, hogy szorosan a tolókarhoz illeszkedjenek, és a tolókar felső része szilárdan rögzüljön a tolókar alsó részéhez.
Ha a tolókar rögzítése nem elég szoros, vagy a gyorsan állítható rögzítőkarok illeszkedése nem megfelelő, nyissuk fel a gyorsan állítható rögzítőkarokat, és fordítsuk el annyira, hogy a rögzítettségük megfelelő legyen.

7.4 A fűgyújtó kosár összeszerelése



- Helyezzük a fűgyújtó kosár felső részét (B) a fűgyújtó kosár alsó részére (C). Ügyeljünk a megfelelő helyzetre a vezetéseknél.
- Nyomjuk keresztül a csapszegeket (D) belülről a megfelelő nyílásokon.
- Pattintsuk be a fűgyújtó kosár felső részét (B) enyhe nyomással a fűgyújtó kosár alsó részébe.
- Akasszuk vissza a fűgyújtó kosarat (⇒ 8.3).

7.5 Az indítózsínór be- és kiakasztása



Beakasztás

- Húzzuk le a gyertyapipát a benzinmotorról.
- Húzzuk a motorleállító kart (1) a tolókarhoz, és tartuk ebben a helyzetben.
- Húzzuk ki lassan az indítózsínórt (2).
- Engedjük el a motorleállító kart (1), és akasszuk az indítózsínórt (2) a huzalvezetőbe (3).
- Helyezzük vissza a gyertyapipát.

Kiakasztás

- Húzzuk le a gyertyapipát a benzinmotorról.
- Akasszuk ki az indítózsínórt (2) a huzalvezetőből (3).

7.6 Üzemanyag és motorolaj



Ügyeljünk a gép épségére!

Az első beindítás előtt töltsünk a gépbe motorolajat. A motorolaj betöltéséhez, ill. a tankoláshoz használjunk megfelelő segédesszkozt (pl. tölcserít).

Motorolaj:

A felhasználandó motorolaj minősége és a szükséges mennyiség a benzinmotor használati utasításában található. Rendszeresen ellenőrizzük az olajsintet (lásd a benzinmotor használati utasítását). A túl alacsony vagy túl magas olajsint kerülendő. Az olajspakát a benzinmotor üzembe helyezése előtt szabályszerűen vissza kell csavarni.



Üzemanyag:

Javaslat: friss, márkás üzemanyagok, ólommentes benzin. Az üzemanyag minőségére (oktánszám) vonatkozó adatok a benzinmotor használati utasításában találhatók.



8. Kezelőelemek

8.1 Az egykezes tolókar beállítása (RM 448 PC, RM 448 TC, RM 448 VC)



Becsípődés veszélye!

A rögzítőkar működtetésekor mindig tartuk meg az egyik kezünkkel a tolókar felső részét a legmagasabb pontjánál. Soha ne helyezzük az ujjunkat a tolókar és a konzol közé (a rögzítőkar fölé és alá).

A tolókar lehajtása:

Szállítási helyzet (a gép tisztításához, helytakarékos szállításához és tárolásához):

- Akasszuk ki az indítózsínórt a huzalvezetőből. (⇒ 7.5)
- Tartuk meg az egyik kezünkkel a tolókar felső részét (2) a legmagasabb pontjánál, és finoman emeljük meg (tehermentesítsük).
- Nyomjuk le a rögzítőkart (1), és tartuk ebben a helyzetben.
- Hajtsuk előre a tolókart (2).

Munkahelyzet

 (a gép tolásához):

- Hajtsuk hátra a tolókart (2), és ügyeljünk arra, hogy a tolókar teljesen a helyére pattanjon.

- Akasszuk be az indítózsínort a huzalvezetőbe. (⇒ 7.5)

Magasságállítás:

Az egykezes tolókar magassága 2 fokozatba állítható:

- Tartsuk meg az egyik kezünkkel a tolókar felső részét (2) a legmagasabb pontjánál, és finoman emeljük meg (tehermentesítsük).
- Nyomjuk le a rögzítőkart (1), és tartsuk ebben a helyzetben.
- Állítsuk a tolókart (2) a kívánt helyzetbe.
- Engedjük vissza a rögzítőkart (1), és ügyeljünk arra, hogy a tolókar ismét teljesen a helyére pattanjon.

8.2 A kétkezes tolókar lehajítása (RM 443, RM 443 T, RM 448 PT, RM 448 T, RM 448 TX)



Becsípődés veszélye!

A gyorszárok meglazításakor a tolókar felső része előreborulhat. Ezért a gyorszárok kinyitásakor mindig tartsuk meg egy kézzel a tolókar felső részét (2) a legmagasabb pontjánál.

Szállítási helyzet (a gép tisztításához, helytakarékos szállításához és tárolásához):

- Akasszuk ki az indítózsínort a huzalvezetőből. (⇒ 7.5)

- Nyissuk fel a gyorsan állítható rögzítőkárokat (1) – hajtsuk őket lefelé –, majd hajtsuk előre a tolókar felső részét (2).

Munkahelyzet (a gép tolásához):

- Hajtsuk hátra a tolókar felső részét (2) és tartsuk egy kézzel ebben a helyzetben.
- Zárjuk vissza a gyorsan állítható rögzítőkárokat (1) (hajtsuk őket felfelé).
- Akasszuk be az indítózsínort a huzalvezetőbe. (⇒ 7.5)

8.3 Fűgyűjtő kosár

Felhelyezés:



- Nyissuk fel és tartsuk nyitva a kidobónyílás fedelét (1).
- Akasszuk a fűgyűjtő kosarat (2) a tartófülekkel a gép hátoldalán található tartórészekre (4).
- Zárjuk le a kidobónyílás fedelét (1).

Levétel:

- Nyissuk fel és tartsuk nyitva a kidobónyílás fedelét (1).
- Emeljük meg és vegyük le hátrafelé a fűgyűjtő kosarat (2).
- Zárjuk le a kidobónyílás fedelét (1).

8.4 Központi vágásmagasság-állítás



6 különböző vágási magasság állítható be.

1. fokozat = 25 mm

6. fokozat = 75 mm

A vágási magasság beállítása:

- Fogjuk meg a fogantyút (1), majd húzzuk felfelé a kart (2), és tartsuk ebben a helyzetben.
- Állítsuk be a kívánt vágási magasságot a gép felfelé vagy lefelé mozgásával. Az aktuális vágási magasság a vágásmagasság-kijelzésről (3) olvasható le a jelölés (4) alapján.
- Engedjük vissza a rögzítőkart (2), és győződjünk meg arról, hogy a kar a helyére pattant.

8.5 Telítettségjelző



A fűgyűjtő kosár a fűgyűjtő kosár felső részén található telítettségjelzővel (1) rendelkezik.

A fűnyíró kés forgása révén keletkező, egyben a fűgyűjtő kosár megtöltéséről gondoskodó légáram megemeli a telítettségjelzőt (2): a fűgyűjtő kosár megtelik a lenyírt fűvel.

Amikor a fűgyűjtő kosár megtelt fűvel, csökken a légáram, és a telítettségjelző lesüllyed (3):

- a megtelt fűgyűjtő kosarat ki kell üríteni (⇒ 11.4).

9. Biztonsági berendezések

A gép a biztonságos kezelés érdekében és a szakszerűtlen kezelés megakadályozása érdekében több biztonsági berendezéssel van felszerelve.



Sérülésveszély!

Ha valamelyik biztonsági berendezésen hibát észlel, akkor a gépet tilos üzembe helyezni. Forduljunk szakszervizhez, lehetőség szerint STIHL szakszervizhez.

9.1 Biztonsági berendezések

A fűnyíró gép olyan biztonsági berendezésekkel rendelkezik, amelyek megakadályozzák a véletlen kapcsolatot a fűnyíró késsel és a gép által kibott lenyírt fűvel.

A biztonsági berendezések közé tartozik a ház, a kibobnyílás fedele, a fűgyűjtő kosár és a szabályszerűen felszerelt tolókar.

9.2 Motorleállító kar

A fűnyíró gép motorleállító szerkezettel rendelkezik.

Üzem közben a motorleállító kar elengedését követően a benzinmotor leáll. A benzinmotornak és a késnek 3 másodpercen belül kell leállnia.



Sérülésveszély!

Ha a kés leállási ideje ennél hosszabb lenne, akkor tilos használni a gépet, és szakszervizhez kell fordulni.

A késleállási idő mérése

A benzinmotor beindítása után a kés forogni kezd, és szélzúgásszerű hang hallható. A késleállási idő a benzinmotor leállítása után hallható szélzúgásszerű hang időtartamának felel meg, amely stopperórával lemérhető.

10. Munkavégzési tanácsok

Szép és dús gyp a következőképpen érhető el:

- ha kis sebességgel nyírjuk a fűvet,
- ha a fűvet gyakran nyírjuk és röviden tartjuk,
- ha forró és száraz időjárás esetén nem nyírjuk túl rövidre a fűvet, mert akkor kiegészíti a nap, és nem lesz tetszetős,
- ha éles fűnyíró késsel dolgozunk, amelyet ezért rendszeresen élezni kell (szakkereskedő),
- ha rendszeresen megváltoztatjuk a nyírás irányát.

10.1 A kezelő munkaterülete



- A benzinmotor beindításakor, valamint a motor működése közben a kezelőnek biztonsági okokból mindig a munkaterületen, a tolókar mögött kell tartózkodnia. A tolókar által meghatározott biztonsági távolságot mindig be kell tartani.
- A fűnyíró gépet kizárólag egy ember kezelheti, más személyeknek a veszélyes területtől távol kell tartózkodniuk. (⇒ 4.)

11. A gép üzembe helyezése

11.1 A benzinmotor beindítása



Ne indítsuk be a benzinmotort magas fűben. Nehézkés beindulás esetén állítsunk be nagyobb vágási magasságot.

A benzinmotor a beindítást követően az állandó fordulatszám-beállítás miatt mindig optimális üzemi fordulatszámon működik.

- Húzzuk a motorleállító kart (1) a tolókarhoz, és tartsuk ebben a helyzetben.
- Húzzuk ki lassan az indítózsínort (2), amíg sűrítési ellenállást nem érzünk. Ezután erősen és gyorsan húzzuk ki a zsínort karhossznyíra. Lassan engedjük vissza az indítózsínort (2), hogy fel tudjon csévélni.
- Ismételjük addig a műveletet, amíg a benzinmotor be nem indul.

11.2 A benzinmotor leállítása



- A benzinmotor leállításához engedjük vissza a motorleállító kart (1). A benzinmotor és a fűnyíró kés rövid késleállási időt követően leáll.

11.3 Kerékajátás (RM 443 T, RM 448 PC, RM 448 PT, RM 448 T, RM 448 TX, RM 448 TC, RM 448 VC)



Az RM 443 T, RM 448 PC, RM 448 PT, RM 448 T, RM 448 TX, RM 448 TC és RM 448 VC típusú fűnyíró gépeket kerékajátással szerelték fel.

RM 443 T, RM 448 PC, RM 448 PT, RM 448 T, RM 448 TX, RM 448 TC:

Egy előremeneti sebesség (egysebesség váltómű)

RM 448 VC:

Menet közben fokozat nélkül állítható előremeneti sebesség (variátoros váltómű)

A kerékajátás bekapcsolása:

- Indítsuk be a benzintmotort. (⇒ 11.1)
- Húzzuk a kerékajátás karját (1) a tolókarhoz, és tartjuk ebben a helyzetben.
A kerékajátás bekapcsol, és a fűnyíró gép megindul előrefelé.



Ügyeljünk a gép épségére!

Mindig teljesen, ütközésig húzzuk meg a kerékajátás karját, ezzel elkerülhető a váltómű károsodása.

A kerékajátás sebességének beállítása (RM 448 VC):



Ügyeljünk a gép épségére!

A variátoros hajtás karját (2) csak járó benzintmotor mellett működtessük.

- A menetsebesség növelése:
Menet közben nyomjuk előre a variátoros hajtás karját (2).



- A menetsebesség csökkentése:
Menet közben húzzuk hátra a variátoros hajtás karját (2).



A kerékajátás kikapcsolása:

- Engedjük vissza a kerékajátás karját (1). A kerékajátás ilyenkor kikapcsol, és a fűnyíró gép megáll. A benzintmotor továbbra is jár.

11.4 A fűgyűjtő kosár ürítése



Sérülésveszély!

A fűgyűjtő kosár lekasztása előtt biztonsági okokból állítsuk le a benzintmotort.

- Akasszuk le a fűgyűjtő kosarat. (⇒ 8.3)
- Nyissuk fel a fűgyűjtő kosarat a zárófülnél (1). Hajtsuk fel a fűgyűjtő kosár felső részét (2), és tartjuk ebben a helyzetben. Billentsük hátra a fűgyűjtő kosarat, és ürítsük ki a lenyírt fűvet.
- Zárjuk le a fűgyűjtő kosarat.
- Akasszuk be a fűgyűjtő kosarat. (⇒ 8.3)

12. Karbantartás

12.1 Általános rész



Sérülésveszély!

Tartsuk be „A biztonság érdekében” fejezetben foglalt biztonsági tudnivalókat (⇒ 4.).

Évenkénti karbantartás szakszervizben:

A fűnyíró gépet ajánlatos évenként egyszer szakszervizzel ellenőriztetni. A STIHL erre a célra a STIHL szakszervizeket ajánlja.

12.2 Benzintmotor

Karbantartás gyakorisága:

Lásd a benzintmotor használati utasítását.

Általános tudnivalók:

Vegyük figyelembe a benzintmotor mellékelt használati utasításában található kezelési és karbantartási utasításokat.

A hosszú élettartam szempontjából különösen fontos a mindig megfelelő olajsint, valamint az olaj- és a légszűrő rendszeres cseréje.

Szintén a benzintmotor használati utasításában található az ajánlott olajcsere-időközök, valamint a motorolajra és az olajmennyiségre vonatkozó információk.

A hűtőbordákat a benzintmotor megfelelő hűtésének biztosítása érdekében mindig tisztán kell tartani.

12.3 A gép tisztítása



Karbantartás gyakorisága: minden használat után

A gondos kezelés megóvja a gépet a károsodástól, és meghosszabbítja annak élettartamát.



Sérülésveszély!

Állítsuk le a benzinmotort, húzzuk le a gyertyapipát, és hagyjuk lehűlni a gépet.

A gép tisztítási helyzetbe állítása előtt ürítsük ki az üzemanyagtartályt (üresre járatás). A gép csak a kidobónyílás fedelének felnyitását követően áll biztonságosan a tisztítási helyzetben.

- Állítsuk be a legmagasabb vágási fokozatot. (⇒ 8.4)
- Akasszuk le a fűgyűjtő kosarat. (⇒ 8.3)

Tisztítási helyzet (RM 443, RM 443 T, RM 448 PT, RM 448 T, RM 448 TX):

- Tartsuk meg a tolókar felső részét (1), majd lefelé hajtva nyissuk fel a gyorsan állítható rögzítőkarokat.
- Hajtsuk hátra a tolókar felső részét (1).
- Nyissuk fel és tartsuk ebben a helyzetben a kidobónyílás fedelét (2).
- Emeljük meg elől a gépet, és állítsuk az ábra szerint tisztítási helyzetbe.

Tisztítási helyzet (RM 448 PC, RM 448 TC, RM 448 VC):

- A hátrabillentéshez álljunk a gép jobb oldalára.
- Állítsuk a tolókar felső részét a legalsó helyzetbe (ütkezésig, a rögzítőkar ebben a helyzetben nem rögzül). (⇒ 8.2)
- Jobb kézzel nyissuk fel és tartsuk ebben a helyzetben a kidobónyílás fedelét (2).
- Bal kézzel az ábra szerint fogjuk meg a konzolt, és tartsuk meg a kidobónyílás fedelét. Közben tartsuk lenyomva a hüvelykujjunkkal a rögzítőkart (3).

- Jobb kézzel fogjuk meg a gép elülső fogantyúját, és lassan döntsük hátra a gépet, hogy a tolókar az ábra szerint felfeküdjön a talajra.
- Engedjük vissza a kidobónyílás fedelét (2), és a rögzítőkart (3), közben ügyeljünk arra, hogy a gép biztonságosan álljon.

Tisztítási tudnivalók:

- A szennyeződések keveséssel vízrel és kefével vagy törlőronggyal távolítsuk el. Különös figyelmet kell fordítani a fűnyíró kés megtisztítására is. Soha ne irányítsunk vízsugarat a benzinmotor részeire, a tömítésekre és a csapágyakra.
- A fűmaradványokat először fadarabbal lazítsuk fel.
- Szükség esetén használjunk speciális tisztítószert (pl. STIHL speciális tisztítószert).

12.4 A kés kopásának ellenőrzése



Karbantartási gyakoriság: minden használat előtt



Sérülésveszély!

A kések a használat helyétől és időtartamától függően különböző mértékben használódnak el. Ha a gépet homokos talajon, illetve gyakran száraz körülmények között használják, a kés nagyobb igénybevételnek van kitéve, és a szokásosnál gyorsabban kopik. A kopott kés eltörhet, és súlyos sérüléseket okozhat. Ezért mindig be kell tartani a kés karbantartására vonatkozó utasításokat.

- Billentsük a fűnyíró gépet tisztítási helyzetbe. (⇒ 12.3)
- Tisztítsuk meg a fűnyíró kést (1).
- Helyezzünk vonalzót (1) a kés elülső peremére, és mérjük meg a visszaköszörülési távolságot (A).
- Tolómérővel (2) mérjük meg a kés szélességet (B).
- Ellenőrizzük a kés vastagságát (C) legalább 5 ponton tolómérővel (2). Ügyelni kell arra, hogy a kés vastagság a készárnayknál is elérje a minimális értéket.

Kopáshatárok:

Visszaköszörülési távolság (A): < 15 mm

Késszélesség (B): > 39 mm

Késvastagság (C): > 2 mm

Cseréljük ki a kést,

- ha sérült (kicsorbult, repedések vannak rajta),
- ha a mért értékek egy vagy több helyen elérték a határértéket, vagy kisebbek annál.

Ha a fűnyíró gépre a külön tartozékként beszerezhető multikést szereljük, akkor más kopáshatárok érvényesek (lásd a tartozék használati utasítását).

12.5 A fűnyíró kés le- és felszerelése



Leszerelés

- Megfelelő fadarabbal (1) tartsuk ellen a fűnyíró kést (2).

- Csavarjuk ki a késrögztítő csavart (3). Vegyük le a fűnyíró kést (2), a késrögztítő csavart (3) és a biztosító alátétet (4).

Felszerelés



Sérülésveszély!

A fűnyíró kést (2) csak az ábra szerint szabad felszerelni. A nyelveknek (7) lefelé, a felhajtott késszárnnyaknak pedig felfelé kell nézniük.

A késrögztítő csavarok előírt meghúzási nyomatékát pontosan be kell tartani, mivel ettől függ a vágóeszköz biztonságos rögzítése. Ezenkívül a késrögztítő csavart (3) **Loctite 243** anyaggal is rögzíteni kell.

A kés felszerelésekor mindig új biztosító alátétet (4) kell használni, és minden késcsere alkalmával ki kell cserélni a késrögztítő csavart (3).

- Tisztítsuk meg a kés felfekvő felületét és a késtartó perselyt.
- A fűnyíró kést (2) a felhajtott szárnyakkal felfelé kell beszerelni (a gép felé nézzenek). Illesszük a késtartó perselyen található tartócsapokat (5) a fűnyíró kés furataihoz (6).
- Megfelelő fadarabbal (1) tartasuk ellen a fűnyíró kést (2).
- Új biztosító alátétet (4) használva csavarjuk be és húzzuk meg a késrögztítő csavart (3).
Meghúzási nyomaték: **60 - 65 Nm**

12.6 A fűnyíró kés élezése

A STIHL azt javasolja, hogy a fűnyíró kést szakemberrel kell éleztetni. A helytelenül élezett kés (a hibás élezési szög, kiegyensúlyozatlanság stb. miatt) hátrányosan befolyásolja a gép működését.

Élezési útmutató:

- Szereljük le a fűnyíró kést (⇒ 12.5).
- A fűnyíró kést köszörülés közben hűteni kell (pl. vízzel). Nem léphet fel kék színű elszíneződés, különben csökken a kés éltartóssága.
- Egyenletesen élezzük a kést, hogy elkerüljük a kiegyensúlyozatlanság miatti rezgéseket.
- Tartasuk be a 30°-os élezési szöget.
- Élezés után a vágóélen keletkezett sorja szükség esetén finom csiszolópapírral távolítható el.
- Ügyeljünk a kopáshatárookra. (⇒ 12.4)

12.7 Tárolás és téli leállítás

A gépet száraz, zárt, pormentes helyiségben kell tárolni. A gépet úgy kell tárolni, hogy gyermekek ne férhessenek hozzá.

Az esetleges hibákat a tárolás előtt kell elhárítani. A gépnek mindig üzembiztos állapotban kell lennie.

Tárolás előtt ürítsük ki az üzemanyagtartályt és a karburátort (pl. üresre járatással).

Ezenkívül a gép hosszabb üzemén kívül helyezése (téli leállítás) esetén vegyük figyelembe az alábbi pontokat:

- Gondosan tisztítsuk meg a gép külső részeit.
- Minden mozgó alkatrészt jól olajozzunk, ill. zsírozzunk meg.
- Csavarjuk ki a gyújtógyertyát (lásd a benzinmotor használati utasítását), és töltsünk a gyertyanyíláson keresztül kb. 3 cm³ motorolajat a benzinmotorba. Fordítsuk át néhányszor a benzinmotort gyújtógyertya nélkül (húzzuk ki az indítózinórt).



Tűzveszély!

A tűzveszély miatt tartasuk távol a gyertyapipát a gyertyanyílástól.

- Csavarjuk vissza a gyújtógyertyát (lásd a benzinmotor használati utasítását).
- Cseréljük le az olajat (lásd a benzinmotor használati utasítását).
- Takarjuk le a benzinmotort, és tároljuk a gépet normál helyzetben.

13. Szállítás

13.1 Szállítás



Sérülésveszély!

Szállítás előtt figyelembe kell venni „A biztonság érdekében” fejezetben foglaltakat. (⇒ 4.)

Szállítás során mindig megfelelő védőruhát (védőcipőt, erős kesztyűt) kell viselni.

A gép megemlése, ill. szállítása előtt mindig húzzuk le a gyertyapipát. A STIHL biztonsági okokból azt javasolja, hogy a gépet mindig két ember emelje meg, ill. hordozza.

A gép megemlése előtt figyelembe kell venni a „Műszaki adatok” fejezetben feltüntetett tömeget.

A gép hordozása

- Két személy:
A gépet kizárólag az elülső fogantyúnál (1) és a tolókarnál (3) fogva emeljük meg. Ügyeljünk arra, hogy a testünk, különösen a lábak és a lábfejek mindig elég távol legyenek a fűnyíró késtől.
- Egy személy:
A gépet egyik kezünkkel a hátsó fogantyú (2) közepén, a másik kezünkkel pedig az elülső fogantyúnál (1) fogva emeljük meg, illetve szállítsuk.

A gép rögzítése hevederekkel

- A gépet a rakfelületen megfelelő rögzítőeszközökkel kell biztosítani.
- A köteleket, ill. hevedereket a megjelölt pontokon (4) kell rögzíteni.

14. Környezetvédelem



A lenyírt fű nem a szemétté váló, hanem komposztálni kell.

A csomagolások, a gép és a tartozékok újrahasznosítható anyagokból készültek,

hulladékkezelésüket megfelelő módon kell végezni.

A hulladékok szelektív, környezetbarát gyűjtése elősegíti a nyersanyagok újrahasznosítását. Ezért a gép szokásos használati időtartamának leteltével a gépet hulladékhasznosító gyűjtőhelyre kell szállítani. Az ártalmatlanítás során figyelembe kell venni a „Hulladékkezelés” fejezetben foglaltakat (⇒ 4.9).

Forduljunk a helyi hulladékátvevő telephöz vagy a szakszervizhez, hogy megtudjuk a hulladékok szakszerű kezelésének módját.

15. A kopás minimalizálása és a meghibásodások elkerülése

Fontos karbantartási és tisztítási tudnivalók

Benzinmotoros fűnyíró gép (STIHL RM)

A kezelési útmutató biztonságra, kezelésre és karbantartásra vonatkozó előírásainak figyelmen kívül hagyása vagy a nem engedélyezett kiegészítő vagy pótalkatrészek használata miatt

bekövetkezett személyi és vagyoni károkkal kapcsolatban a STIHL vállalat kizárja mindennemű felelősségét.

A STIHL gép sérülésének, ill. túlzott kopásának elkerülése érdekében feltétlenül tartsa be a következő fontos útmutatásokat.

1. Kopó alkatrészek

A STIHL gépek egyes alkatrészei rendeltetészerű használat mellett is normális kopásnak vannak kitéve, ezért a használat módjától és időtartamától függően időben ki kell cserélni őket.

Ilyen alkatrészek például

- a fűnyíró kés,
- a fűgyűjtő kosár,
- az ékszíjak (RM 443 T, RM 448 PC, RM 448 PT, RM 448 T, RM 448 TC, RM 448 TX, RM 448 VC).

2. A jelen használati utasítás előírásainak betartása

A STIHL gép használata, karbantartása és tárolása olyan gondosan történjen, amint az a jelen használati útmutatóban szerepel. A biztonsági, kezelési és karbantartási utasítások figyelmen kívül hagyásából származó minden kárért a felhasználót terheli a felelősség.

Ez különösen érvényes az alábbi esetekre:

- a terméken a STIHL jóváhagyása nélkül végrehajtott változtatások,
- a STIHL által nem engedélyezett üzemanyagok használata (kenőanyagok, benzin és motorolaj, lásd a benzinmotor gyártójának adatait),

- Olyan szerszámok vagy tartozékok használata, amelyek nem megengedettek, nem alkalmasak vagy minőségileg nem megfelelőek az adott géphez,
- a termék nem rendeltetésszerű használata,
- a termék sportrendezvényeken vagy egyéb versenyeken történő használata,
- a termék hibás alkatrészekkel történő használata miatt bekövetkező károk.

3. Karbantartási munkák

A „Karbantartás” című fejezetben leírt összes munkát rendszeresen el kell végezni.

Amennyiben ezeket a karbantartási munkálatokat a felhasználó nem tudja maga elvégezni, azokkal egy szakszervizt kell megbízni.

A STIHL azt javasolja, hogy a karbantartási és javítási munkákat csak STIHL szakszervizzel végeztesse el.

A STIHL szakszervizek munkatársai oktatásokon vesznek részt, és rendelkezésükre állnak a cég által kiadott műszaki információk is.

Ezeknek a munkáknak az elmulasztása esetén olyan károk keletkezhetnek, amelyekért a felhasználó viseli a felelősséget.

Ide tartoznak a többi között:

- a szakszerűtlen tárolás következtében fellépő korróziós és egyéb károk,
- a gép sérülései minőségileg nem megfelelő pótalkatrészek használata miatt,

- a nem megfelelő időben vagy módon elvégzett, ill. olyan karbantartási vagy javítási munkákból adódó károk, amelyeket nem szakszervizben végeztek el.

16. Általános pótalkatrészek

Fűnyíró kés (RM 443, RM 443 T):

6338 702 0100

Fűnyíró kés (RM 448 PC, RM 448 PT, RM 448 T, RM 448 TC, RM 448 TX, RM 448 VC):

6358 702 0100

Késrögzítő csavar:

9008 319 9028

Biztosító alátét:

0000 702 6600



A fűnyíró kés rögzítőelemeit (pl. a késrögzítő csavart) a kés cseréje, ill. felszerelése alkalmával mindig ki kell cserélni. Pótalkatrészek a STIHL szakkereskedésekben kaphatók.

17. A gyártó uniós megfelelőségi nyilatkozata

17.1 Benzinmotoros fűnyíró gép (STIHL RM)

STIHL Tirol GmbH
Hans Peter Stihl-Straße 5.
6336 Langkampfen
Ausztria

egyedüli felelősséggel kijelentjük, hogy a következő adatokkal jellemzett gép:

kézi irányítású, benzinmotoros fűnyíró gép (STIHL RM)

Gyártó neve: STIHL
Sorozatazonosító: 6338
Típus: RM 443.0
RM 443.0 T

Sorozatazonosító: 6358
Típus: RM 448.0 PC
RM 448.0 PT
RM 448.0 T
RM 448.0 TC
RM 448.0 TX
RM 448.0 VC

megfelel a következő EK-irányelveknek: 2011/65/EU, 2000/14/EC, 2014/30/EU, 2006/42/EC

A termék fejlesztése a következő szabványokkal összhangban történt: EN ISO 5395-1, EN ISO 5395-2, EN 14982

A termékek fejlesztésére és legyártására a mindenkori előállítás időpontjában érvényes szabványverziók vonatkoznak.

A megfelelőség értékelésére alkalmazott eljárás:
VIII. függelék (2000/14/EC)

A tanúsító szervezet neve és címe:

TÜV Rheinland LGA Products GmbH
Tillystraße 2
D-90431 Nürnberg

A műszaki dokumentációt összeállította és tárolja:
Sven Zimmermann
STIHL Tirol GmbH

A gyártás éve és a sorozatszám a gép adattábláján található.

Mért zajteljesítményszint:

RM 443.0	93,0 dB(A)
RM 443.0 T	93,0 dB(A)
RM 448.0 PC	95,3 dB(A)
RM 448.0 PT	95,3 dB(A)
RM 448.0 T	95,7 dB(A)
RM 448.0 TC	95,7 dB(A)
RM 448.0 TX	95,3 dB(A)
RM 448.0 VC	95,3 dB(A)

Garantált zajteljesítményszint:

RM 443.0	94 dB(A)
RM 443.0 T	94 dB(A)
RM 448.0 PC	96 dB(A)
RM 448.0 PT	96 dB(A)
RM 448.0 T	96 dB(A)
RM 448.0 TC	96 dB(A)
RM 448.0 TX	96 dB(A)
RM 448.0 VC	96 dB(A)

Langkampfen,
2019-01-02 (ÉÉÉÉ-HH-NN)

STIHL Tirol GmbH
nevében



Sven Zimmermann

a konstrukciós részleg vezetője

18. Műszaki adatok

RM 443.0, RM 443.0 T, RM 448.0 PC, RM 448.0 PT, RM 448.0 T, RM 448.0 TC, RM 448.0 TX, RM 448.0 VC:

Benzinmotor, kialakítás	négyütemű benzinmotor
Indítószerkezet	indítózsínór
Vágószerkezet	vágókés
A vágókés hajtása	állandó
A késrögzítő csavar meghúzási nyomatéka	60 - 65 Nm
Biztonsági berendezés	motorleállítás
Kerékméret elől	180 mm
Kerékméret hátul	200 mm
A fűgyűjtő kosár űrtartalma	55 l
Vágási magasság	25 - 75 mm

RM 443.0, RM 443.0 T:

Sorozatazonosító	6338
Munkaszélesség:	41 cm

RM 443.0:

Benzinmotor: Gyártó, típus	Briggs & Stratton, Series 550 EX OHV RS
Lökettérfogat	140 cm ³
Névleges teljesítmény a névleges fordulatszámon	2,1 - 2800 kW - 1/min
Üzemanyagtartály	0,8 l
A vágókés fordulatszáma	2800 1/min
Kerékajtás	nincs

Hosszúság	144 cm
Szélesség	49 cm
Magasság	109 cm
Tömeg	23 kg

Zajkibocsátás

A 2000/14/EC irányelv szerint:

Garantált zajteljesítményszint

L_{WA} 94 dB(A)

A 2006/42/EC irányelv szerint:

Munkahelyi hangnyomásszint

L_{pA} 81 dB(A)

Mérési bizonytalanság K_{pA} 2 dB(A)

A kézre és a karra ható rezgés

Az EN 12096 szerinti rezgési mutató:

Mért érték a_{hw} 4,10 m/s²

Mérési bizonytalanság K_{hw} 2,05 m/s²

Az EN 20643 irányelv szerinti mérés

RM 443.0 T:

Benzinmotor: Gyártó, típus	Briggs & Stratton, Series 550 EX OHV RS
Lökettérfogat	140 cm ³
Névleges teljesítmény a névleges fordulatszámon	2,1 - 2800 kW - 1/min
Üzemanyagtartály	0,8 l
A vágókés fordulatszáma	2800 1/min
Kerékajtás	1 előremeneti sebességfokozat lágy indítással
Hosszúság	144 cm
Szélesség	48 cm

Magasság	109 cm
Tömeg	25 kg

Zajkibocsátás

A 2000/14/EC irányelv szerint:

Garantált zajteljesítményszint	
$L_{WA,d}$	94 dB(A)

A 2006/42/EC irányelv szerint:

Munkahelyi hangnyomásszint	
L_{pA}	81 dB(A)
Mérési bizonytalanság K_{pA}	2 dB(A)

A kézre és a karra ható rezgés

Az EN 12096 szerinti rezgési mutató:

Mért érték a_{hw}	4,10 m/s ²
Mérési bizonytalanság K_{hw}	2,05 m/s ²

Az EN 20643 irányelv szerinti mérés

RM 448.0 PC, RM 448.0 PT, RM 448.0 T, RM 448.0 TC, RM 448.0 TX, RM 448.0 VC:

Sorozatazonosító	6358
Munkaszélesség	46 cm

RM 448.0 PC:

Benzinmotor: Gyártó, típus	Briggs & Stratton, Series 625
Lökettérfogat	150 cm ³
Névleges teljesítmény a névleges fordulatszámon	2,2 - 2800 kW - 1/min
Üzemanyagtartály	0,8 l
A vágókés fordulatszáma	2800 1/min

Kerékhajtás	1 előremeneti sebességfokozat lágy indítással
Hosszúság	147 cm
Szélesség	50 cm
Magasság	113 cm
Tömeg	27 kg

Zajkibocsátás

A 2000/14/EC irányelv szerint:

Garantált zajteljesítményszint	
$L_{WA,d}$	96 dB(A)

A 2006/42/EC irányelv szerint:

Munkahelyi hangnyomásszint	
L_{pA}	83 dB(A)
Mérési bizonytalanság K_{pA}	2 dB(A)

A kézre és a karra ható rezgés

Az EN 12096 szerinti rezgési mutató:

Mért érték a_{hw}	3,00 m/s ²
Mérési bizonytalanság K_{hw}	1,50 m/s ²

Az EN 20643 irányelv szerinti mérés

RM 448.0 PT:

Benzinmotor: Gyártó, típus	Briggs & Stratton, Series 625
Lökettérfogat	150 cm ³
Névleges teljesítmény a névleges fordulatszámon	2,2 - 2800 kW - 1/min
Üzemanyagtartály	0,8 l
A vágókés fordulatszáma	2800 1/min
Kerékhajtás	1 előremeneti sebességfokozat lágy indítással

Hosszúság	147 cm
Szélesség	50 cm
Magasság	111 cm
Tömeg	27 kg

Zajkibocsátás

A 2000/14/EC irányelv szerint:

Garantált zajteljesítményszint	
$L_{WA,d}$	96 dB(A)

A 2006/42/EC irányelv szerint:

Munkahelyi hangnyomásszint	
L_{pA}	83 dB(A)
Mérési bizonytalanság K_{pA}	2 dB(A)

A kézre és a karra ható rezgés

Az EN 12096 szerinti rezgési mutató:

Mért érték a_{hw}	3,90 m/s ²
Mérési bizonytalanság K_{hw}	1,95 m/s ²

Az EN 20643 irányelv szerinti mérés

RM 448.0 T:

Benzinmotor: Gyártó, típus	Briggs & Stratton, Series 575
Lökettérfogat	140 cm ³
Névleges teljesítmény a névleges fordulatszámon	2,1 - 2800 kW - 1/min
Üzemanyagtartály	0,8 l
A vágókés fordulatszáma	2800 1/min
Kerékhajtás	1 előremeneti sebességfokozat lágy indítással
Hosszúság	147 cm
Szélesség	50 cm

Magasság	111 cm
Tömeg	26 kg

Zajkibocsátás

A 2000/14/EC irányelv szerint:

Garantált zajteljesítményszint	
$L_{WA,d}$	96 dB(A)

A 2006/42/EC irányelv szerint:

Munkahelyi hangnyomásszint	
L_{pA}	83 dB(A)
Mérési bizonytalanság K_{pA}	2 dB(A)

A kézre és a karra ható rezgés

Az EN 12096 szerinti rezgési mutató:

Mért érték a_{hw}	3,90 m/s ²
---------------------	-----------------------

Mérési bizonytalanság K_{hw}	1,95 m/s ²
--------------------------------	-----------------------

Az EN 20643 irányelv szerinti mérés

RM 448.0 TC:

Benzinmotor: Gyártó, típus	Briggs & Stratton, Series 575
Lökettérfogat	140 cm ³
Névleges teljesítmény a névleges fordulatszámon	2,1 - 2800 kW - 1/min
Üzemanyagtartály	0,8 l
A vágókés fordulatszáma	2800 1/min
Kerékajtás	1 előremeneti sebességfokozat lágy indítással
Hosszúság	147 cm
Szélesség	50 cm
Magasság	113 cm
Tömeg	27 kg

Zajkibocsátás

A 2000/14/EC irányelv szerint:

Garantált zajteljesítményszint	
$L_{WA,d}$	96 dB(A)

A 2006/42/EC irányelv szerint:

Munkahelyi hangnyomásszint	
L_{pA}	83 dB(A)
Mérési bizonytalanság K_{pA}	2 dB(A)

A kézre és a karra ható rezgés

Az EN 12096 szerinti rezgési mutató:

Mért érték a_{hw}	3,50 m/s ²
---------------------	-----------------------

Mérési bizonytalanság K_{hw}	1,75 m/s ²
--------------------------------	-----------------------

Az EN 20643 irányelv szerinti mérés

RM 448.0 TX:

Benzinmotor: Gyártó, típus	Briggs & Stratton, Series 550 EX OHV RS
Lökettérfogat	140 cm ³
Névleges teljesítmény a névleges fordulatszámon	2,1 - 2800 kW - 1/min
Üzemanyagtartály	0,8 l
A vágókés fordulatszáma	2800 1/min
Kerékajtás	1 előremeneti sebességfokozat lágy indítással
Hosszúság	147 cm
Szélesség	50 cm
Magasság	111 cm
Tömeg	26 kg

Zajkibocsátás

A 2000/14/EC irányelv szerint:

Garantált zajteljesítményszint	
$L_{WA,d}$	96 dB(A)

A 2006/42/EC irányelv szerint:

Munkahelyi hangnyomásszint	
L_{pA}	83 dB(A)
Mérési bizonytalanság K_{pA}	2 dB(A)

A kézre és a karra ható rezgés

Az EN 12096 szerinti rezgési mutató:

Mért érték a_{hw}	4,10 m/s ²
---------------------	-----------------------

Mérési bizonytalanság K_{hw}	2,05 m/s ²
--------------------------------	-----------------------

Az EN 20643 irányelv szerinti mérés

RM 448.0 VC:

Benzinmotor: Gyártó, típus	Briggs & Stratton, Series 625
Lökettérfogat	150 cm ³
Névleges teljesítmény a névleges fordulatszámon	2,2 - 2800 kW - 1/min
Üzemanyagtartály	0,8 l
A vágókés fordulatszáma	2800 1/min
Kerékajtás	variátoros előremenet
Hosszúság	147 cm
Szélesség	50 cm
Magasság	113 cm
Tömeg	28 kg

Zajkibocsátás

A 2000/14/EC irányelv szerint:

Garantált zajteljesítményszint	
$L_{WA,d}$	96 dB(A)

A 2006/42/EC irányelv szerint:

Munkahelyi hangnyomásszint	
L_{pA}	83 dB(A)
Mérési bizonytalanság K_{pA}	2 dB(A)

A kézre és a karra ható rezgés

Az EN 12096 szerinti rezgési mutató:

Mért érték a_{hw}	3,00 m/s ²
Mérési bizonytalanság K_{hw}	1,50 m/s ²

Az EN 20643 irányelv szerinti mérés

18.1 REACH

A REACH a vegyi anyagok regisztrálására, besorolására és engedélyezésére szolgáló EK-rendelet.

Az Európai Közösség 1907/2006 számú REACH-rendeletének való megfeleléssel kapcsolat információk a www.stihl.com/reach weboldalon található.

19. Hibakeresés

✘ Szükség esetén forduljon szakszervizhez, lehetőleg STIHL szakszervizhez.

📖 Lásd a benzinmotor használati utasítását.

Hiba:

Nem indul be a benzinmotor.

Lehetséges ok:

- A motorleállító kar nincs meghúzva.
- Nincs üzemanyag a tartályban; eltömődött az üzemanyag-vezeték.
- Nem megfelelő, szennyezett vagy régi üzemanyag van a tartályban.

- Beszennyeződött a légszűrő.
- Le van húzva a gyertyapipa a gyújtógyertyáról; a gyújtókábel nem megfelelően van rögzítve a pipához.
- Meghibásodott vagy bekormozódott a gyújtógyertya; nem megfelelő az elektródatávolság.

Megoldás:

- Húzzuk a motorleállító kart a tolókarhoz, és tartsuk ebben a helyzetben. (⇒ 9.2)
- Töltsük fel a gépet üzemanyaggal; tisztítsuk meg az üzemanyag-vezetékét. ✘
- Mindig friss, márkás üzemanyagot, ólommentes benzint használjunk; tisztítsuk meg a karburátort. ✘
- Tisztítsuk meg a légszűrőt. ✘
- Helyezzük fel a gyertyapipát; ellenőrizzük a gyújtókábel és a gyertyapipa csatlakozását. ✘
- Tisztítsuk meg vagy cseréljük ki a gyújtógyertyát; állítsuk be az elektródatávolságot. ✘

Hiba:

Nehézkes indítás vagy a benzinmotor csökkenő teljesítménye.

Lehetséges ok:

- A fűnyíróház eltömődött.
- Túl alacsony vágási fokozattal végzett nyírás, ill. a haladási sebesség túl nagy a vágási magassághoz képest.
- Víz került az üzemanyagtartályba és a karburátorba; a karburátor eltömődött.
- Beszennyeződött az üzemanyagtartály.
- Beszennyeződött a légszűrő.
- Bekormozódott a gyújtógyertya.

Megoldás:

- Tisztítsuk meg a fűnyíróházat (húzzuk le a gyertyapipát!). (⇒ 12.3)

- Állítsunk be magasabb vágási fokozatot, ill. csökkentjük a sebességet. (⇒ 8.4)
- Ürítsük ki az üzemanyagtartályt, tisztítsuk meg az üzemanyag-vezetékét és a karburátort. ✘
- Tisztítsuk meg az üzemanyagtartályt. ✘
- Tisztítsuk meg a légszűrőt. ✘
- Tisztítsuk meg a gyújtógyertyát. ✘

Hiba:

A benzinmotor felforrósodik.

Lehetséges ok:

- Túl alacsony az olajsint a benzinmotorban.
- Szennyezettek a hűtőbordák.

Megoldás:

- Cseréljük le a motorolajat. (⇒ 7.6)
- Tisztítsuk meg a hűtőbordákat. (⇒ 12.3)

Hiba:

Erős rezgések lépnek fel használat közben.

Lehetséges ok:

- Meghibásodott a vágóegység.
- Meglazult a benzinmotor rögzítése.

Megoldás:

- Ellenőrizzük és szükség esetén javítsuk meg a fűnyíró kést, a késtengelyt és a kés rögzítését (késrögzítő csavar és biztosító alátét). ✘
- Húzzuk meg a benzinmotor rögzítőcsavarjait. ✘

Hiba:


Egyetlen vágás, a fű megsárgul.


Lehetséges ok:

- Tompa vagy kopott a fűnyíró kés.

Megoldás:

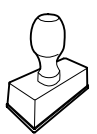
- Élezük meg vagy cseréljük ki a fűnyíró kést. (⇒ 12.6), (⇒ 12.5), ✘

 Az elvégzett szervizelés időpontja

 A következő szervizelés időpontja

20. Szervizelési időpontok

20.1 Az átadás igazolása

<p>Modell: _____</p> <p>Sorozatszám:</p> <p><input type="text"/> <input type="text"/> <input type="text"/> <input type="text"/> <input type="text"/> <input type="text"/> <input type="text"/> <input type="text"/> <input type="text"/> <input type="text"/></p> <p>Dátum: <input type="text"/> <input type="text"/> <input type="text"/> <input type="text"/> <input type="text"/> <input type="text"/> <input type="text"/> <input type="text"/></p> <div style="text-align: center;">  </div> <p>Következő szervizidőpont</p> <p>Dátum: <input type="text"/> <input type="text"/> <input type="text"/> <input type="text"/> <input type="text"/> <input type="text"/> <input type="text"/> <input type="text"/></p>
--

20.2 A szervizelés igazolása



Kérjük, karbantartási munkák esetén adja át a jelen használati utasítást a STIHL szakszerviznek.

A szakszerviz a használati utasításban található előnyomatott helyeken igazolja a szervizelés elvégzését.

Dragi korisniče,

raduje nas što ste se odlučili za STIHL. Naši proizvodi su koncipirani i izrađeni vrhunskim kvalitetom prema potrebama naših korisnika. Tako nastaju proizvodi visoke pouzdanosti takođe i pri ekstremnim opterećenjima.

STIHL garantuje vrhunski kvalitet takođe i kod usluga. Naša specijalizovana trgovinska mreža nudi stručne savete i uputstva kao i obimnu tehničku podršku.

Hvala Vam na poverenju; želimo Vam puno zadovoljstva uz Vaš proizvod STIHL.

Dr. Nikolas Stihl

VAŽNO! PRE UPOTREBE PROČITATI I SAČUVATI ZA KASNIJU UPOTREBU.

1. Sadržaj

O ovom uputstvu za upotrebu	104
Opšte napomene	104
Kako da čitate ovo uputstvo za upotrebu	104
Opis uređaja	105
Za vašu bezbednost	105
Opšte napomene	105
Dolivanje goriva – rukovanje benzinom	106
Odeća i oprema	107
Transport uređaja	107
Pre korišćenja	107
Tokom rada	108
Održavanje i popravke	109
Skladištenje u slučaju dužeg nekorišćenja	111
Odlaganje	111
Opis simbola	111
Sadržaj paketa	112
Pripremanje uređaja za rad	112
Opšte napomene	112
Montaža jednostrukog upravljača (RM 448 PC, RM 448 TC, RM 448 VC)	112
Montaža dvostrukog upravljača (RM 443, RM 443 T, RM 448 PT, RM 448 T, RM 448 TX)	112
Sastavljanje korpe za travu	113
Postavljanje i skidanje užeta startera	113
Gorivo i motorno ulje	113
Elementi za rukovanje	113
Podešavanje jednostrukog upravljača (RM 448 PC, RM 448 TC, RM 448 VC)	113

Sklapanje dvostrukog upravljača (RM 443, RM 443 T, RM 448 PT, RM 448 T, RM 448 TX)	114
Korpa za travu	114
Centralno podešavanje visine košenja	114
Pokazivač napunjenosti	114
Bezbednosni uređaji	114
Bezbednosni uređaji	114
Ručica za zaustavljanje motora	115
Uputstva za rad	115
Radna oblast korisnika	115
Puštanje uređaja u rad	115
Pokretanje motora sa unutrašnjim sagorevanjem	115
Isključivanje motora sa unutrašnjim sagorevanjem	115
Vozni pogon (RM 443 T, RM 448 PC, RM 448 PT, RM 448 T, RM 448 TX, RM 448 TC, RM 448 VC)	115
Pražnjenje korpe za travu	116
Održavanje	116
Opšte napomene	116
Motor sa unutrašnjim sagorevanjem	116
Čišćenje uređaja	116
Provera istrošenosti noža	117
Demontaža i montaža noža za košenje	117
Oštrenje noža za košenje	118
Čuvanje i skladištenje (zimski pauza)	118
Transport	118
Transport	118
Zaštita životne sredine	119
Smanjivanje istrošenosti i izbegavanje oštećenja	119
Uobičajeni rezervni delovi	119

EC Izjava proizvođača o usaglašenosti	120
Benzinska kosilica za travu (STIHL RM)	120
Tehnički podaci	120
REACH	123
Traženje grešaka	123
Plan servisiranja	124
Potvrda primopredaje	124
Potvrda servisiranja	124

2. O ovom uputstvu za upotrebu

2.1 Opšte napomene

Ovo uputstvo za upotrebu je **originalno uputstvo** proizvođača u skladu sa EU smernicom 2006/42/EC.

STIHL neprekidno razvija svoju paletu proizvoda. Zbog toga zadržavamo pravo na izmenu sadržaja paketa u smislu oblika, tehnike i opreme.

Iz tog razloga ne možemo da prihvatimo bilo kakve reklamacije na osnovu podataka i slika iz ovog uputstva.

U ovom uputstvu za upotrebu su možda opisani modeli koji nisu dostupni u svakoj zemlji.

Ovo uputstvo za upotrebu je zaštićeno autorskim pravima. Zadržavaju se sva prava, a posebno pravo na umnožavanje, prevođenje i obradu u elektronskim sistemima.

2.2 Kako da čitate ovo uputstvo za upotrebu

Slike i tekstovi opisuju određene postupke rukovanja.

Ovo uputstvo za upotrebu sadrži objašnjenje svih simbola koji se nalaze na uređaju.

Smer posmatranja:

Smer posmatranja prilikom upotrebe termina „**levo**“ i „**desno**“ u uputstvu za upotrebu:
Korisnik stoji iza uređaja i posmatra prema napred u smeru kretanja.

Referenca na poglavlje:

Strelica predstavlja referencu na odgovarajuće poglavlje i potpoglavlje sa dodatnim objašnjenjem. Sledeći primer predstavlja referencu na jedno poglavlje: (⇒ 4.)

Označavanje delova teksta:

Opisana uputstva mogu biti označena kao u sledećim primerima.

Postupci rukovanja koji zahtevaju učešće korisnika:

- Odvijačem otpustite vijak (1), povucite polugu (2)...

Opšta nabranjanja:

- Korišćenje uređaja na sportskim ili takmičarskim manifestacijama

Tekst sa dodatnim značenjem:

Tekst sa dodatnim značenjem označen je simbolima opisanim u nastavku kako bi bio posebno istaknut u ovom uputstvu za upotrebu.



Opasnost!

Opasnost od nesreće i teških telesnih povreda. Ponašanje na određeni način je neophodno ili nepoželjno.



Upozorenje!

Opasnost od povreda. Ponašanjem na određeni način sprečavaju se moguće ili verovatne povrede.



Oprez!

Ponašanjem na određeni način možete sprečiti lake povrede, odnosno nastanak materijalne štete.



Napomena

Informacije o efikasnijem korišćenju uređaja i sprečavanju mogućnosti pogrešnog rukovanja.

Tekstovi sa referencama na slike:

Slike kojima se objašnjava upotreba uređaja pronaći ćete na samom početku uputstva za upotrebu.

Simbol fotoaparata služi za povezivanje slika na stranama sa slikama sa odgovarajućim delovima teksta u uputstvu za upotrebu.



3. Opis uređaja



- 1 Ručica za zaustavljanje motora
- 2 Ručica voznog pogona (RM 443 T, RM 448 PC, RM 448 PT, RM 448 T, RM 448 TX, RM 448 TC, RM 448 VC)
- 3 Poluga Vario-pogona (RM 448 VC)
- 4 Gornji deo upravljača
- 5 Uže startera
- 6 Brzi zatezač (RM 443, RM 443 T, RM 448 PT, RM 448 T, RM 448 TX)
- 7 Donji deo upravljača (RM 443, RM 443 T, RM 448 PT, RM 448 T, RM 448 TX)
- 8 Motor sa unutrašnjim sagorevanjem
- 9 Prigušivač zvuka sa zaštitnom rešetkom
- 10 Utikač za svećice
- 11 Prednja transportna ručka
- 12 Prednji točak
- 13 Zadnji točak
- 14 Korpa za travu
- 15 Zadnja transportna ručka
- 16 Ručica za korekciju visine košenja
- 17 Pločica sa podacima o uređaju i brojem mašine
- 18 Konzola upravljača (RM 448 PC, RM 448 TC, RM 448 VC)
- 19 Poluga za blokiranje upravljača (RM 448 PC, RM 448 TC, RM 448 VC)

4. Za vašu bezbednost

4.1 Opšte napomene



Prilikom korišćenja uređaja obavezno se pridržavajte propisa za zaštitu od povreda na radu.



Pre prvog puštanja u upotrebu obavezno pažljivo pročitajte celo uputstvo za upotrebu. Pažljivo sačuvajte uputstvo za upotrebu kako biste mogli da ga koristite i kasnije.

Pridržavajte se uputstava za rukovanje i održavanje koje možete pronaći u zasebnom uputstvu za motor sa unutrašnjim sagorevanjem.

Ove mere opreza su od ključnog značaja za vašu bezbednost. Međutim, ova lista nije kompletna. Uređaj koristite razumno i odgovorno i imajte na umu da su korisnici mašine odgovorni za nesreće u kojima dođe do povreda drugih lica i oštećenja njihove imovine.

Upoznajte se sa delovima za rukovanje i načinom upotrebe uređaja.

Uređaj smeju da koriste samo osobe koje su pročitale uputstvo za upotrebu i upoznate su sa načinom rukovanja. Korisnik mora da se potruži da dobije stručnu i praktičnu obuku pre prvog puštanja uređaja u rad. Korisnik mora da zatraži od prodavca ili nekog drugog stručnog lica da mu objasni kako se bezbedno koristi uređaj.

Prilikom ove obuke, korisniku posebno treba da bude skrenuta pažnja da su za korišćenje uređaja neophodne izuzetna pažnja i koncentracija.

Čak i ukoliko propisno rukujete uređajem, uvek može da postoji neki nepredviđeni rizik.



Opasnost po život usled gušenja!

Deci preti opasnost od gušenja ako se igraju ambalažom. Ambalažu držati daleko od dece.

Uređaj, uključujući i sve priključne delove, sme da se daje, odnosno pozajmljuje isključivo osobama koje su u suštini upoznate sa ovim modelom i načinom njegovog korišćenja. Uputstvo za upotrebu predstavlja deo uređaja i uvek se mora prosledivati zajedno s njim.

Uređaj koristite isključivo kada ste odmorni i u dobrom telesnom i psihičkom stanju. Ukoliko imate zdravstvene probleme, posavetujte se sa svojim lekarom o tome da li možete da koristite uređaj. Nakon konzumiranja alkohola, droge ili lekova koji utiču na smanjenje sposobnosti reagovanja, ne smete da koristite uređaj.

Ni u kom slučaju ne dozvolite da uređaj upotrebljavaju deca, osobe sa ograničenim fizičkim, čulnim ili mentalnim sposobnostima, osobe sa nedovoljnim znanjem i iskustvom, kao i osobe koje nisu upoznate sa instrukcijama.

Nikada nemojte da dozvolite da deca ili osobe mlađe od 16 godina koriste uređaj. Lokalnim propisima može biti određena minimalna starost korisnika.

Uređaj je namenjen privatnoj upotrebi.

Pažnja – opasnost od nesreće!

Kosilica je predviđena isključivo za košenje trave. Korišćenje u druge svrhe nije dozvoljeno i može biti opasno ili dovesti do oštećenja uređaja.

Da bi se izbegle opasnosti po zdravlje korisnika, kosilica, između ostalog, ne sme da se koristi u sledeće svrhe (lista nije sveobuhvatna):

- za obrezivanje grmlja, živice i žbunja,
- za sečenje puzavica,
- za održavanje travnjaka na krovovima i u žardinjerama na terasama,
- za seckanje i usitnjavanje grana i ostataka žive ograde;
- za čišćenje staza (usisavanje, oduvavanje),
- za poravnavanje povišenog tla, kao npr. neravnina od krličnjaka,
- za transport isečenog materijala, osim u korpi za travu koja je za to predviđena.

Iz bezbednosnih razloga zabranjene su sve izmene uređaja, osim stručne montaže dodatne opreme koju je odobrila kompanija STIHL. Takve izmene dovode do gubitka prava iz garancije. Informacije o dozvoljenoj dodatnoj opremi možete dobiti od ovlašćenog STIHL distributera.

Posebno je zabranjena svaka manipulacija uređajem kojom se menja njegova snaga ili broj obrtaja motora sa unutrašnjim sagorevanjem, odnosno elektromotora.

Uređajem se ne smeju transportovati predmeti, životinje ili osobe, a posebno ne deca.

Prilikom korišćenja na javnim površinama, u parkovima, na sportskim terenima, ulicama i u poljoprivrednim i šumarskim preduzećima potreban je poseban oprez.



Pažnja! Opasnost po zdravlje usled vibracija! Preterana izloženost vibracijama može izazvati oštećenje krvnih

sudova i nervnog sistema, naročito kod ljudi sa kardiovaskularnim problemima. Obratite se svom lekaru ako se pojave simptomi čiji uzrok može biti izloženost vibracijama.

Ovi simptomi, koji se uglavnom javljaju na prstima, šakama ili ručnim zglobovima, ogledaju se npr. u (lista nije sveobuhvatna):

- utrnuću,
- bolovima,
- slabosti u mišićima,
- promenama boje kože,
- neprijatnim žmarcima.

Tokom rada držite upravljač čvrsto, ali ne i grčevito, sa obe ruke na za to predviđenim mestima.

Vreme rada planirajte tako da izbegnete veća opterećenja tokom dužeg perioda.

4.2 Dolivanje goriva – rukovanje benzinom



Opasnost po život!

Benzin je otrovan i lako zapaljiv.

Benzin čuvajte samo u proverenim posudama koje su za to predviđene (kanisterima). Poklopce rezervoara uvek pravilno zavrnite i pritegnite. Neispravne zatvarače treba zameniti iz bezbednosnih razloga.

Nikada ne koristite flaše od pića i slične sudove za odlaganje ili skladištenje pogonskih goriva poput benzina. Pojedine osobe, a posebno deca mogle bi da se prevare i uzmu da piju iz njih.



Benzin čuvajte dalje od varnica, otvorenog plamena, stalnog plamena, toplotnih izvora i drugih izvora vatre. Zabranjeno

pušenje!

Benzin dolivajte u uređaj samo na otvorenom prostoru i nemojte da pušite za to vreme.

Pre dolivanja benzina isključite motor sa unutrašnjim sagorevanjem i sačekajte da se ohladi.

Benzin treba doliti pre pokretanja motora sa unutrašnjim sagorevanjem. Tokom rada motora sa unutrašnjim sagorevanjem i kada je mašina još topla, ne treba otvarati poklopac rezervoara niti dolivati gorivo.

Ne prepunjavajte rezervoar za gorivo!

Da bi gorivo imalo dovoljno prostora za širenje, nikada nemojte puniti rezervoar za gorivo preko donje ivice nastavka za sipanje.

Pridržavajte se, osim toga, i napomena iz uputstva za upotrebu motora sa unutrašnjim sagorevanjem.

Ukoliko dođe do preliivanja benzina, pokrenite motor sa unutrašnjim sagorevanjem tek kada očistite mesto na kome je došlo do preliivanja. Nemojte da pokušavate da pokrenete motor sve dok preliveni benzin ne ispari (osušite površine isprskane benzinom).

Uvek obrišite prosuto gorivo.

Ako benzin dospe na odeću, obavezno je zamenite.



Nikada ne skladištite uređaj u kome ima goriva u zatvorenim prostorijama. Benzinska isparenja mogu da dođu u dodir sa otvorenim plamenom ili varnicama i da se zapale.

Ako treba da ispraznite rezervoar, to učinite na otvorenom prostoru.

4.3 Odeća i oprema



Za vreme rada uvek nosite čvrstu obuću sa hrapavim đonom. Nikada nemojte raditi bosu ili npr. u sandalama.



Prilikom radova na održavanju i čišćenju, kao i tokom transporta uređaja pored toga uvek nosite čvrste zaštitne rukavice, a dugu kosu vežite i pokrijte (maramom, kapom itd.).



Prilikom oštrenja noža za košenje uvek se moraju nositi odgovarajuće zaštitne naočari.

Uređaj smeju da koriste samo osobe u dugim pantalonama koje padaju uz telo.

Nikada ne nosite odeću koja ne pada uz telo, jer se ona može zakačiti za pokretne delove (ručicu za rukovanje), kao ni nakit, kravate i šalove.



Tokom rada nastaje buka. Buka može da ošteti sluh.

Nosite sredstva za zaštitu sluha.

4.4 Transport uređaja

Radite isključivo sa rukavicama da biste izbegli povrede na oštrim i vrelim delovima uređaja.

Ne transportujte uređaj dok motor sa unutrašnjim sagorevanjem radi. Pre transporta isključite motor sa unutrašnjim sagorevanjem, sačekajte da se nož zaustavi i izvucite utikač za svećice.

Uređaj transportujte tek kada se motor sa unutrašnjim sagorevanjem ohladi i nakon što ispraznite rezervoar za gorivo.

Koristite odgovarajuće pomoćne uređaje za utovar (rampe za utovar, sisteme za podizanje tereta).

Uređaj i delove koji se transportuju s njim (npr. korpa za travu) na teretnoj platformi osigurajte pravilno dimenzionisanim sredstvima za pričvršćivanje (kaiševima, sajlama itd.).

Prilikom podizanja i nošenja uređaja izbegavajte kontakt sa nožem za košenje.

Pridržavajte se uputstava iz poglavlja „Transport“. U njemu je opisan način na koji možete da podignete, odnosno vučete uređaj. (⇒ 13.)

Prilikom transporta uređaja vodite računa o lokalnim zakonskim propisima, a posebno onima koji se odnose na bezbednost tovara i transport predmeta na utovarnoj površini.

4.5 Pre korišćenja

Neophodno je obezbediti da uređaj koriste isključivo osobe koje su upoznate sa sadržajem uputstva za upotrebu.

Pre puštanja uređaja u rad proverite nepropusnost sistema za dovod goriva, a posebno njegovih vidljivih delova, poput rezervoara, poklopca rezervoara i spojeva creva. U slučaju da dolazi do propuštanja ili da postoji oštećenje, nemojte da pokrećete motor sa unutrašnjim sagorevanjem, jer preči **opasnost od**

požara!

Pre puštanja u rad, obezbedite da ovlašćeni distributer obavi servisiranje.

Molimo vas da vodite računa o lokalnim propisima o dozvoljenim terminima za korišćenje baštenskih uređaja sa motorom sa unutrašnjim sagorevanjem, odnosno elektromotorom.

Detaljno proverite teren na kojem ćete koristiti uređaj i uklonite kamenje, grane, žice, kosti i ostala strana tela koja bi uređaj tokom rada mogao katapultirati u vazduh. Prepreke (npr. panjevi, korenje) mogu se lako prevideti u visokoj travi.

Stoga pre korišćenja uređaja označite sve strane objekte (prepreke) u travi koje nije moguće ukloniti.

Pre upotrebe uređaja neophodno je zameniti neispravne, istrošene i oštećene delove. Neophodno je da zamenite nečitka ili oštećena upozorenja na uređaju. Od svog ovlašćenog STIHL distributera možete da nabavite rezervne nalepnice i sve druge rezervne delove.

Pre upotrebe uređaja proverite da li je utikač za svećice dobro i bezbedno priključen na svećicu.

Uređaj sme da se koristi samo u bezbednom stanju. Pre svakog puštanja u rad proverite:

- da li je uređaj propisno montiran.
- da li su rezni alat i čitava rezna jedinica (nož za košenje, elementi za fiksiranje, kućište mehanizma za košenje) u besprekornom stanju. Posebno treba proveriti da li je nož dobro fiksiran, da li postoje oštećenja (urezi ili pukotine) kao i istrošenost. (⇒ 12.4)
- da li je poklopac rezervoara pravilno pričvršćen.

- da li su rezervoar i delovi kroz koje prolazi gorivo, kao i poklopac rezervoara, u besprekornom stanju.
- da li su bezbednosni uređaji (npr. ručica za zaustavljanje motora, poklopac za izbacivanje, kućište, upravljač, zaštitna rešetka) u besprekornom stanju i da li pravilno funkcionišu.
- da li je korpa za travu neoštećena i kompletno montirana; oštećena korpa za travu ne sme da se koristi.
- da li je navojni čep za ulje pravilno pričvršćen.

Po potrebi obavite sve potrebne radove, odnosno obratite se ovlašćenom distributeru. STIHL preporučuje ovlašćenog STIHL distributera.

4.6 Tokom rada



Nikada ne koristite uređaj dok se u zoni opasnosti nalaze životinje ili druge osobe, a posebno deca.

Zabranjeno je skidanje i premošćavanje sistema prekidača i bezbednosnih elemenata koji se nalaze na uređaju. Posebno je zabranjeno da se ručica za zaustavljanje motora fiksira za polugu na upravljaču (npr. vezivanjem).



Opasnost od povreda!

Nikada ne postavljajte ruke ili noge na rotirajuće delove, iznad ili ispod njih. Nikada ne dodirujte rotirajući nož. Uvek se držite dalje od otvora za izbacivanje trave.

Uvek se držite bezbednosnog rastojanja određenog upravljačem. Upravljač uvek mora biti propisno montiran i ne sme se

koristiti u izmenjenom obliku. Nikada ne koristite uređaj sa sklopljenim upravljačem.

Nikad ne pričvršćujte predmete za upravljač (npr. radnu odeću).

Radite isključivo po dnevnom svetlu ili uz dobro veštačko osvetljenje.

Ne koristite uređaj tokom padavina i nevremena, a posebno izbegavajte da ga koristite kada postoji opasnost od udara groma.

Ukoliko je podloga vlažna, usled smanjene stabilnosti povećava se opasnost od nesreće.

Neophodno je da budete posebno pažljivi pri radu kako biste izbegli proklizavanje.

Ukoliko je moguće, izbegavajte korišćenje uređaja kada je podloga vlažna.

Izduvni gasovi:



Opasnost po život usled trovanja!

U slučaju pojave mučnine, glavobolje, smetnji u vidu (poput smanjenja vidnog polja), smetnji u sluhu, nesvestice i smanjenja koncentracije, odmah prekinite sa radom. Uzrok ovakvih simptoma između ostalog može biti prevelika koncentracija izduvnih gasova.



Uređaj stvara otrovne izduvne gasove odmah nakon pokretanja motora sa unutrašnjim sagorevanjem. Ovi gasovi sadrže otrovni ugljen-monoksid, gas bez boje i mirisa, kao i druge štetne materije. Nikada ne pokrećite motor sa unutrašnjim sagorevanjem u zatvorenim prostorijama i prostorijama koje se teško provetravaju.

Pokretanje:

Oprezno pokrenite uređaj prateći uputstva iz poglavlja „Puštanje uređaja u rad“ (⇒ 11.). Pokretanje u skladu sa ovim uputstvima smanjuje opasnost od povreda.

Opasnost od povrede!

Kada se uže startera brzo vraća u početni položaj, ono povlači dlan i ruku ka motoru sa unutrašnjim sagorevanjem brže nego što je moguće pustiti uže startera. Ovaj povratni udar može da prouzrokuje prelom kosti, prignječenje i uganuće.

Pazite da vaše noge prilikom pokretanja uređaja budu dovoljno udaljene od reznog alata.

Uređaj se prilikom pokretanja ne sme naginjati.

Prilikom pokretanja ne smete da aktivirate ručicu voznog pogona.

Nemojte da pokrećete motor sa unutrašnjim sagorevanjem ako kanal za izbacivanje nije pokriven poklopcem za izbacivanje, odnosno korpom za travu.

Rad na kosinama:

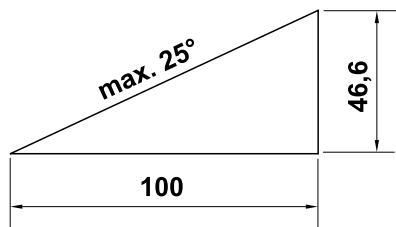
Rad na kosinama uvek obavljajte u poprečnom smeru, nikada uzduž. Ukoliko korisnik prilikom košenja uzdužnim smerom izgubi kontrolu, može se dogoditi da ga uređaj koji kosi pregazi.

Budite posebno oprezni kada menjate smer kretanja na kosini.

Uvek pazite na svoju stabilnost na kosinama i izbegavajte da koristite uređaj na suviše velikim kosinama.

Iz bezbednosnih razloga uređaj ne sme da se koristi na uzbrdici čiji je nagib veći od 25° (46,6 %). **Opasnost od povreda!**

Kosina od 25° odgovara vertikalnom usponu od 46,6 cm pri horizontalnoj dužini od 100 cm.



Kako biste obezbedili dovoljno podmazivanje motora sa unutrašnjim sagorevanjem, prilikom upotrebe uređaja na kosinama morate da poštujete i navode iz uputstva za upotrebu motora sa unutrašnjim sagorevanjem koje je isporučeno zajedno sa uređajem.

Primena:



Opasnost od povreda!

Nikada ne postavljajte ruke ili noge na rotirajuće delove, iznad ili ispod njih.



Nemojte da pokušavate da proverite stanje noža dok kosilica radi. Nikada ne otvarajte poklopac za izbacivanje i ne skidajte korpu za travu dok se nož za košenje okreće. Rotirajući nož vas može povrediti.

Uređaj vozite isključivo brzinom koraka – nikada ne trčite dok koristite uređaj. Brzim kretanjem uređaja povećava se opasnost od nesreće zbog mogućeg saplitanja, proklizavanja itd.

Budite posebno oprezni kada okrećete uređaj ili ga privlačite prema sebi.

Opasnost od spoticanja!

Koristite uređaj vrlo oprezno, kada radite u blizini strmina, ivica terena, jaruga i nasipa. Posebnu pažnju obratite na dovoljno rastojanje u odnosu na takva opasna mesta.

Predmete skrivene u busenima trave (prskalice za travnjake, stubovi, ventili za vodu, temelji, električni vodovi itd.) morate da zaobiđete. Ne prelazite nikada namerno preko takvih stranih objekata.



Vodite računa o inercionom hodu noževa zbog kojeg je za njihovo zaustavljanje potrebno nekoliko sekundi.

Isključite motor sa unutrašnjim sagorevanjem, sačekajte da se radni alat potpuno zaustavi i izvucite utikač za svećice

- kada treba da napustite uređaj, odnosno ostavite ga bez nadzora,
 - pre dolivanja goriva. Gorivo dolivajte samo kada je motor sa unutrašnjim sagorevanjem hladan.
- #### Opasnost od požara!

- pre otpuštanja blokada ili uklanjanja začepljenja u kanalu za izbacivanje trave.
- pre podizanja ili nošenja uređaja,
- pre transporta uređaja,
- pre nego što započnete održavanje noža za košenje,
- pre nego što započnete proveru ili čišćenje uređaja i pre drugih radova na njemu (poput sklapanja upravljača),

- ako ste naleteli na neko strano telo ili je kosilica počela da neuobičajeno jako vibrira. U ovim slučajevima proverite da li je došlo do oštećenja uređaja, a posebno rezne jedinice (nož, okrugli nož i elementi za fiksiranje noža) i obavite neophodne popravke pre nego što ponovo pokrenete uređaj i nastavite da ga koristite.



Opasnost od povrede!

Jake vibracije po pravilu ukazuju na neku smetnju.

Kosilica ni u kom slučaju ne sme da se koristi u slučaju oštećene ili iskrivljene radilice, kao ni u slučaju oštećenog ili iskrivljenog noža za košenje.

Ukoliko vam nedostaje potrebno znanje, poverite neophodne popravke stručnjaku. Kompanija STIHL vam preporučuje ovlašćenog STIHL distributera.

Isključite motor sa unutrašnjim sagorevanjem

- dok gurate uređaj prema travnatoj površini koju želite da obradite i sa nje.
- pre nego što počnete da gurate uređaj po površini na kojoj nema trave.
- pre nego što otvorite poklopac za izbacivanje ili skinete korpu za travu.
- kada treba da nagnete uređaj radi transporta.
- pre podešavanja visine košenja.

4.7 Održavanje i popravke

Pre početka radova na čišćenju, podešavanju, popravci i održavanju:

- Postavite uređaj na čvrsto, ravno tlo,

- Isključite motor sa unutrašnjim sagorevanjem i pustite ga da se ohladi,
- Izvucite utikač za svećice.



Pažnja – opasnost od povreda!

Držite utikač za svećice dalje od svećice, slučajna varnica paljenja može da dovede do požara ili strujnih udara. Slučajan kontakt između svećice i utikača za svećice može da dovede do neželjenog startovanja motora sa unutrašnjim sagorevanjem.



Opasnost od povreda usled delovanja noža za košenje!

Kada povučete užu startera, radni alat počinje da se okreće. Prilikom povlačenja užeta startera uvek pazite da budete dovoljno udaljeni od noža za košenje, što se posebno odnosi na vaše noge i ruke.

Sačekajte da se uređaj ohladi pre nego što započnete radove na održavanju motora sa unutrašnjim sagorevanjem, izduvne grane i prigušivača zvuka. Moguće su temperature od 80° C i više. **Opasnost od opekotina!**

Neposredan kontakt sa motornim uljem može biti opasan. Osim toga, motorno ulje se ne sme prosipati.

Kompanija STIHL preporučuje da dolivanje, odnosno zamenu motornog ulja poverite ovlašćenom STIHL distributeru.

Čišćenje:

Neophodno je da čitav uređaj pažljivo očistite nakon korišćenja. (⇒ 12.3)

Pre postavljanja uređaja u položaj za čišćenje ispraznite rezervoar (npr. ostavite motor da radi dok se sam ne isključi).

Naslage trave očistite drvenim štapom. Donji deo kosilice očistite četkom i vodom.

Nipošto nemojte da koristite perač pod visokim pritiskom i uređaj nemojte da čistite tekućom vodom (npr. crevom za zalivanje).

Ne koristite agresivna sredstva za čišćenje. Ona mogu da oštete plastiku ili metal, što može da ugrozi bezbedan rad vašeg STIHL uređaja.

Da biste izbegli opasnost od požara, pazite da zone oko otvora za ventilaciju, rashladnih rebara i izduvne cevi ne dođu u kontakt sa travom, slamom, mahovinom, lišćem ili mazivom koje curi.

Radovi na održavanju:

Korisnik sme da obavlja isključivo radove na održavanju koji su opisani u ovom uputstvu za upotrebu. Sve druge radove na održavanju treba da poveri ovlašćenom distributeru.

Ukoliko Vam nedostaje neophodno znanje ili su vam potrebna pomoćna sredstva, **uvek** se obratite distributeru.

Kompanija STIHL preporučuje da radove na održavanju i popravke obavljate kod ovlašćenog STIHL distributera.

Ovlašćenim STIHL distributerima redovno se nude obuke i dostavljaju tehničke informacije.

Koristite isključivo alat, pribor i priključne uređaje koje je kompanija STIHL odobrila za korišćenje sa ovim uređajem ili tehnički identične delove. U suprotnom može doći do rizika od nesreća koje izazivaju telesne povrede ili oštećenje uređaja. Ukoliko imate pitanja, obratite se ovlašćenom distributeru.

STIHL originalni alat, dodatna oprema i rezervni delovi imaju svojstva koja su optimalno prilagođena uređaju i zahtevima korisnika. STIHL originalni rezervni delovi

prepoznatljivi su po STIHL broju rezervnog dela, po natpisu STIHL i eventualno po STIHL oznaci rezervnog dela. Na malim delovima znak može da stoji i sam.

Iz bezbednosnih razloga redovno proveravajte da li su oštećeni i da li zaptivaju delovi kroz koje prolazi gorivo (vodovi za gorivo, slavina za gorivo, rezervoar za gorivo, poklopac rezervoara, priključci i dr.) i po potrebi zadužite servisera da ih zameni (STIHL preporučuje ovlašćenog STIHL distributera).

Nalepnice sa upozorenjima i uputstvima uvek treba da budu čiste i čitljive.

Oštećene ili izgubljene nalepnice zamenite novim koje možete dobiti od ovlašćenog STIHL prodavca. Ukoliko se neki sklop zameni novim, vodite računa da za novi sklop dobijete istu nalepnicu.

Radove na reznoj jedinici obavljajte isključivo uz korišćenje debelih radnih rukavica, i to uz najveći mogući oprez.

Sve matice, klinovi i zavrtnji, a posebno zavrtnj za nož, moraju da budu dobro pritegnuti da bi uređaj bio u stanju bezbednom za rad.

Redovno proveravajte čitav uređaj i korpu za travu na habanje i oštećenja, a posebno pre skladištenja (npr. pre zimske pauze). Odmah zamenite istrošene ili oštećene delove iz bezbednosnih razloga, kako bi uređaj uvek bio u stanju bezbednom za rad.

Nemojte da menjate osnovno podešavanje motora sa unutrašnjim sagorevanjem i nemojte da preterujete sa brojem obrtaja.

Ukoliko zbog radova na održavanju dođe do demontiranja pojedinih delova ili zaštitnih sistema, njihov treba odmah i propisno ponovo montirati.

4.8 Skladištenje u slučaju dužeg nekorišćenja

Sačekajte da se motor sa unutrašnjim sagorevanjem ohladi pre skladištenja uređaja u zatvorenom prostoru.

Uređaj sa ispražnjenim rezervoarom i rezerve goriva čuvajte u prostoriji sa dobrom ventilacijom koja može da se zaključa.

Osigurajte da uređaj bude zaštićen od neovlašćenog korišćenja (npr. od dece).

Nikada ne skladištite uređaj u kome ima goriva u zatvorenim prostorijama. Benzinska isparenja mogu da dođu u dodir sa otvorenim plamenom ili varnicama i da se zapale.

Ako treba da ispraznite rezervoar, npr. zbog skladištenja tokom zimske pauze, pražnjenje rezervoara za gorivo obavljajte isključivo na otvorenom prostoru (npr. tako što ćete ostaviti motor da radi dok se sam ne isključi).

Temeljno očistite uređaj pre nego što ga uskladištite (npr. zbog zimske pauze).

Uređaj skladištite isključivo sa izvučenim utikačem za sveće.

Uređaj skladištite u bezbednom stanju.

Sačekajte da se uređaj potpuno ohladi pre nego što ga prekrijete.

4.9 Odlaganje

Otpadni proizvodi poput starog ulja ili goriva, starih maziva, filtera, akumulatora i sličnih potrošnih delova mogu da ugroze zdravlje ljudi i životinja, kao i životnu sredinu i stoga morate da ih propisno odložite.

Obratite se centru za recikliranje ili ovlašćenom distributeru za dodatne informacije o ispravnom odlaganju otpadnih proizvoda. STIHL preporučuje ovlašćenog STIHL distributera.

Osigurajte da neupotrebljiv uređaj bude odložen na pravilan način. Onesposobite uređaj pre odlaganja. Da biste sprečili nesreće, posebno uklonite kabl za pokretanje, ispraznite rezervoar i isпустite motorno ulje.

Opasnost od povreda usled delovanja noža za košenje!

Nikad nemojte da ostavljate isluženu kosilicu bez nadzora. Osigurajte da uređaj i nož budu izvan dometa dece.

5. Opis simbola



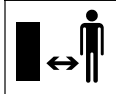
Pažnja!

Pre puštanja u rad pročitajte uputstvo za upotrebu.



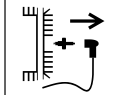
Opasnost od povreda!

Vodite računa da se druge osobe ne nalaze u zoni opasnosti.



Opasnost od povreda!

Izvcite utikač sveće pre radova na reznom alatu kao i pre održavanja i čišćenja.



Opasnost od povreda!

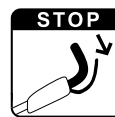
Držite ruke i noge dalje od noževa!

Rezni alat ima inercioni hod od nekoliko sekundi nakon isključivanja (kočnica motora sa unutrašnjim sagorevanjem/kočnica noža).



RM 443, RM 443 T, RM 448 PT, RM 448 T, RM 448 TX:

Pokretanje motora sa unutrašnjim sagorevanjem



RM 443, RM 443 T, RM 448 PT, RM 448 T, RM 448 TX:

Isključivanje motora sa unutrašnjim sagorevanjem



RM 443 T, RM 448 PT, RM 448 T, RM 448 TX:

Uključivanje voznog pogona



RM 448 PC, RM 448 TC, RM 448 VC:

Pokretanje motora sa unutrašnjim sagorevanjem



RM 448 PC, RM 448 TC, RM 448 VC:

Isključivanje motora sa unutrašnjim sagorevanjem



RM 448 PC, RM 448 TC, RM 448 VC:

Uključivanje voznog pogona



RM 448 VC:
Podesite brzinu vožnje.
(⇒ 11.3)



6. Sadržaj paketa



Poz.	Oznaka	Kom.
A	Osnovni uređaj	1
B	Gornji deo korpe za travu	1
C	Donji deo korpe za travu	1
D	Klin	2
–	Uputstvo za upotrebu	1
–	Uputstvo za upotrebu Motor sa unutrašnjim sagorevanjem	1

**RM 443, RM 443 T, RM 448 PT,
RM 448 T, RM 448 TX:**

Poz.	Oznaka	Kom.
E	Brzi zatezač	2
F	Zavrtnaj	2
G	Vođica kabla	2
H	Zaštitne čaure	2

RM 448 PC, RM 448 TC, RM 448 VC:

Poz.	Oznaka	Kom.
I	Čaura	1

Poz.	Oznaka	Kom.
J	Zavrtnaj	1
K	Podloška	2
L	Matica	1

7. Pripremanje uređaja za rad

7.1 Opšte napomene



Opasnost od povreda

Vodite računa o bezbednosnim upozorenjima iz poglavlja „Za vašu bezbednost“ (⇒ 4.).

- Za sve opisane radove postavite uređaj na horizontalnu, ravnu i čvrstu podlogu.

7.2 Montaža jednostrukog upravljača (RM 448 PC, RM 448 TC, RM 448 VC)



- **1** Gurnite čauru (I) u otvor na upravljaču (1).
- **2** Obe podloške (K) postavite na čauru upravljača (1) tako da izbočina na njima bude okrenuta prema unutra.
- **3** Uхватите чauru (I) i podloške (K) i zajedno s upravljačem (1) gurnite u držač na konzoli upravljača (2).
- **4** Provucite vijak (J) sa spoljne strane ka unutrašnjoj kroz otvore na upravljaču (1) i konzoli upravljača (2).
- **5** Navrnuti navrtku (L).
- **6** Zavrnuti zavrtnaj (J). Momenat zatezanja: **18 - 22 Nm**

Montiranje užadi za startovanje:

- **RM 448 PC, RM 448 TC:**
Postavite uže za zaustavljanje motora (3) i uže voznog pogona (4) u držače užeta (6) na konzoli upravljača i na upravljaču, kao na slici.
- **RM 448 VC:**
Postavite uže za zaustavljanje motora (3), uže voznog pogona (4) i uže Vario-pogona (5) u držače užeta (6) na konzoli upravljača i na upravljaču, kao na slici.

7.3 Montaža dvostrukog upravljača (RM 443, RM 443 T, RM 448 PT, RM 448 T, RM 448 TX)



- Gurnite zaštitne čaure (H) u oba donja dela upravljača (1).
- Gurnite zavrtnaj (F) kroz otvor na vođici kabla (G).
- Postavite gornji deo upravljača (2) na donje delove upravljača (1).
- **Leva strana:**
Zakačite vođicu kabla (G) za sajlu za zaustavljanje motora (3).
- **Desna strana (RM 443 T, RM 448 PT, RM 448 T, RM 448 TX):**
Zakačite vođicu kabla (G) za sajlu za vozni pogon (4).
- Provucite zavrtnaj (F) na obe strane kroz otvore sa unutrašnje strane prema spoljnoj.
- Zavrnite brze zatezače (E) na zavrtnje (F) (trebalo bi da ostane da viri jedan obrtaj zavrtnja) i preklopite ih naviše.

- Proverite pravilnu montažu: Brzi zatezači (E) moraju da se pritegnu tako da dobro nalegnu na upravljač i čvrsto povežu gornji deo upravljača sa donjim. Ako upravljač nije dobro pričvršćen pri montaži ili brzi zatezači ne naležu pravilno, otvorite brze zatezače i zavrnite ih onoliko koliko je potrebno da dobro nalegnu.

7.4 Sastavljanje korpe za travu



- Postavite gornji deo korpe za travu (B) na donji deo korpe za travu (C). Pazite na pravilan položaj u vodičama.
- Gurnite klinove (D) iznutra kroz predviđene otvore.
- Laganim pritiskom uglavite gornji deo korpe za travu (B) u donji deo korpe za travu.
- Postavite korpu za travu (⇒ 8.3).

7.5 Postavljanje i skidanje užeta startera



Postavljanje

- Izvucite utikač za svećice iz motora sa unutrašnjim sagorevanjem.
- Pritisnite ručicu za zaustavljanje motora (1) prema upravljaču i zadržite je.
- Polako izvucite uže startera (2).
- Otpustite ručicu za zaustavljanje motora (1) zakačite uže startera (2) za držač užeta (3).
- Postavite utikač za svećice.

Skidanje

- Izvucite utikač za svećice iz motora sa unutrašnjim sagorevanjem.
- Otkočite uže startera (2) sa vođice užeta (3).

7.6 Gorivo i motorno ulje



Pazite da ne oštetite uređaj!

Pre prvog pokretanja motora napunite motorno ulje. Za dolivanje motornog ulja i goriva koristite odgovarajuće pomagalo (npr. levak).

Motorno ulje:

Vrsta motornog ulja koju treba koristiti i nivo punjenja navedeni su u uputstvu za upotrebu motora sa unutrašnjim sagorevanjem. Redovno proveravajte nivo ulja u motoru (pogledajte uputstvo za upotrebu motora sa unutrašnjim sagorevanjem). Izbegavajte prenizak i previsok nivo ulja u motoru.

Pravilno pritegnite zatvarač rezervoara za ulje pre korišćenja motora sa unutrašnjim sagorevanjem.

Gorivo:

Preporuka: Koristite sveže gorivo poznate marke. Koristite bezolovni benzin. Podaci o kvalitetu goriva (broj oktana) navedeni su u uputstvu za upotrebu motora sa unutrašnjim sagorevanjem.



8. Elementi za rukovanje

8.1 Podešavanje jednostrukog upravljača (RM 448 PC, RM 448 TC, RM 448 VC)



Opasnost od prignječenja!

Prilikom povlačenja poluge za blokiranje, držite gornji deo upravljača jednom rukom u najvišem položaju. Nikad ne stavljajte prste između upravljača i konzole (iznad i ispod poluge za blokiranje).

Sklopavanje upravljača:

Transportni položaj (za čišćenje uređaja i uštedu prostora prilikom transporta i skladištenja):

- Otkočite uže startera sa držača užeta. (⇒ 7.5)
- Držite gornji deo upravljača (2) jednom rukom u najvišem položaju i lagano podignite (rasteretite).
- Gurnite polugu za blokiranje (1) naniže i zadržite je u tom položaju.
- Sklopite upravljač (2) prema napred.

Radni položaj (za guranje uređaja):

- Rasklopite upravljač (2) unazad i pazite da u potpunosti uđe u odgovarajući položaj.
- Zakačite uže startera na držač užeta. (⇒ 7.5)

Podešavanje visine:

Visina jednostrukog upravljača može se podešavati u 2 stepena:

- Držite gornji deo upravljača (2) jednom rukom u najvišem položaju i lagano podignite (rasteretite).
- Gurnite polugu za blokiranje (1) naniže i zadržite je u tom položaju.
- Postavite upravljač (2) u željeni položaj.
- Otpustite polugu za blokiranje (1) i pazite da upravljač ponovo u potpunosti uđe u odgovarajući položaj.

8.2 Sklapanje dvostrukog upravljača (RM 443, RM 443 T, RM 448 PT, RM 448 T, RM 448 TX)



Opasnost od prignječenja!

Gornji deo upravljača se može sklopiti usled otpuštanja brzih spojnice. Stoga uvek jednom rukom držite najviši deo gornjeg dela upravljača (2) dok otvarate brze spojnice.

Transportni položaj (za čišćenje uređaja i uštedu prostora prilikom transporta i skladištenja):

- Otkočite uže startera sa držača užeta. (⇒ 7.5)
- Otvorite brze zatezače (1) – preklopite ih naniže – i sklopite gornji deo upravljača (2) prema napred.

Radni položaj (za guranje uređaja):

- Rasklopite gornji deo upravljača (2) unazad i pridržite ga jednom rukom.
- Zatvorite brze zatezače (1) (preklopite ih naviše).
- Zakačite uže startera na držač užeta. (⇒ 7.5)

8.3 Korpa za travu

Postavljanje:

- Otvorite poklopac za izbacivanje (1) i pridržite ga.
- Postavite korpu za travu (2) pomoću uški za zadržavanje u prihvate (3) na zadnjoj strani uređaja.
- Zatvorite poklopac za izbacivanje (1).

Skidanje:

- Otvorite poklopac za izbacivanje (1) i pridržite ga.
- Podignite korpu za travu (2) i izvadite je povlačenjem unazad.
- Zatvorite poklopac za izbacivanje (1).

8.4 Centralno podešavanje visine košenja

Možete da podesite **6** različitih visina košenja.

Stepen **1** = **25 mm**

Stepen **6** = **75 mm**

Podešavanje visine košenja:

- Uхватite transportnu ručku (1), povucite polugu (2) nagore i zadržite je.
- Podesite željenu visinu košenja podizanjem i spuštanjem uređaja. Trenutnu visinu košenja možete da očitajte na pokazivaču visine košenja (3) pomoću oznake (4).
- Otpustite polugu za blokiranje (2) i pustite je da uđe u odgovarajući položaj.



8.5 Pokazivač napunjenosti

Na gornjem delu korpe za travu nalazi se pokazivač napunjenosti (1).

Vazdušno strujanje usled rotiranja noža za košenje osigurava provetranje korpe za travu i podiže pokazivač napunjenosti na (2):

Korpa za travu se puni isečenim materijalom.

Kada se korpa za travu puni travom, ovo vazdušno strujanje se smanjuje i pokazivač napunjenosti se spušta (3):

- Ispraznite napunjenu korpu za travu (⇒ 11.4).



9. Bezbednosni uređaji

Radi bezbednog rukovanja i zaštite od nenamenske upotrebe, uređaj je opremljen sa više bezbednosnih uređaja.



Opasnost od povrede!

Ukoliko se utvrdi neispravnost nekog od bezbednosnih uređaja, uređaj više ne sme da se koristi. Obratite se ovlašćenom distributeru. Kompanija STIHL preporučuje ovlašćenog STIHL distributera.

9.1 Bezbednosni uređaji

Kosilica je opremljena bezbednosnim uređajima koji sprečavaju slučajan kontakt sa nožem sa sečenjem i izbačenim materijalom.

Oni obuhvataju kućište, poklopac za izbacivanje, korpu za travu i pravilno montirani upravljač.

9.2 Ručica za zaustavljanje motora

Kosilica je opremljena sistemom za zaustavljanje motora.

U toku rada se puštanjem ručice za zaustavljanje motora isključuje motor sa unutrašnjim sagorevanjem.

Motor sa unutrašnjim sagorevanjem i nož za košenje zaustaviće se u roku od 3 sekunde.



Opasnost od povrede!

Ako je vreme zaustavljanja noža duže, uređaj više ne sme da se koristi i mora da se odnese distributeru.

Merenje vremena zaustavljanja

Posle pokretanja motora sa unutrašnjim sagorevanjem, nož počinje da se okreće i može da se čuje zvuk kretanja vazduha. Vreme zaustavljanja odgovara trajanju zvuka kretanja vazduha posle isključenja motora sa unutrašnjim sagorevanjem i može da se meri štopericom.

10. Uputstva za rad

Lep i gust travnjak dobijamo

- ako kosimo malom brzinom kretanja.
- čestim košenjem trave kako bi ona uvek bila kratka.
- kada u toplim i suvim klimatskim uslovima travu ne kosimo prenisiko, jer će ona u suprotnom izgoreti od sunca i neće lepo izgledati.
- korišćenjem oštrog noža za košenje, zbog čega ga treba redovno oštriti (obratite se distributeru).
- redovnom promenom smera košenja.

10.1 Radna oblast korisnika




- Pri pokretanju i kada je motor sa unutrašnjim sagorevanjem pokrenut, iz bezbednosnih razloga, korisnik uvek mora biti u radnoj oblasti iza upravljača. Uvek se držite bezbednosnog rastojanja određenog upravljačem.
- Kosilicom sme da rukuje samo jedna osoba. Druge osobe moraju da se drže dalje od zone opasnosti. (⇒ 4.)

11. Puštanje uređaja u rad

11.1 Pokretanje motora sa unutrašnjim sagorevanjem



 Motor sa unutrašnjim sagorevanjem nemojte da pokrećete u visokoj travi. U slučaju otežanog postupka pokretanja, podesite veću visinu košenja. Motor sa unutrašnjim sagorevanjem nakon pokretanja radi na optimalnom radnom broju obrtaja zahvaljujući fiksnom podešavanju gasa.

- Pritisnite ručicu za zaustavljanje motora (1) prema upravljaču i zadržite je.
- Polako izvucite uže startera (2) do kompresionog otpora. Zatim ga snažno i brzo povucite za jednu dužinu ruke. Ponovo polako vratite uže startera (2) tako da može ponovo da se namota.
- Ponavljajte postupak dok se motor sa unutrašnjim sagorevanjem ne pokrene.

11.2 Isključivanje motora sa unutrašnjim sagorevanjem



- Da biste isključili motor sa unutrašnjim sagorevanjem, otpustite ručicu za zaustavljanje motora (1). Motor sa unutrašnjim sagorevanjem i nož za košenje će se zaustaviti nakon kratkog vremena.

11.3 Vozni pogon (RM 443 T, RM 448 PC, RM 448 PT, RM 448 T, RM 448 TX, RM 448 TC, RM 448 VC)



Kosilice RM 443 T, RM 448 PC, RM 448 PT, RM 448 T, RM 448 TX, RM 448 TC i RM 448 VC su opremljeni voznim pogonom.

RM 443 T, RM 448 PC, RM 448 PT, RM 448 T, RM 448 TX, RM 448 TC:

Jedna pogonska brzina za kretanje napred (menjač sa jednom brzinom)

RM 448 VC:

Bestepeno podešavanje brzine kretanja napred (Vario menjač) u toku vožnje

Uključivanje voznog pogona:

- Pokrenite motor sa unutrašnjim sagorevanjem. (⇒ 11.1)
- Povucite ručicu voznog pogona (1) prema upravljaču i zadržite je. Vozni pogon se uključuje i kosilica se pokreće napred.



Pazite da ne oštetite uređaj!

Ručica voznog pogona uvek mora biti potpuno aktivirana (gurnuta do kraja) kako bi se izbeglo oštećenje menjača.

Podešavanje pogonske brzine (RM 448 VC):



Pazite da ne oštetite uređaj!

Polugu Vario-pogona (2) koristite samo dok motor sa unutrašnjim sagorevanjem radi.

- Povećavanje brzine vožnje:
Polugu Vario-pogona (2)
gurnite napred u toku vožnje.



- Smanjivanje brzine vožnje:
Polugu Vario-pogona (2)
povucite unazad u toku vožnje.



Isključivanje voznog pogona:

- Otpustite ručicu voznog pogona (1).
Vozni pogon će se isključiti i kosilica će se zaustaviti. Motor sa unutrašnjim sagorevanjem i dalje radi.

11.4 Pražnjenje korpe za travu



Opasnost od povrede!

Pre nego što otkačite korpu za travu, neophodno je da iz bezbednosnih razloga isključite motor sa unutrašnjim sagorevanjem.

- Otkačite korpu za travu. (⇒ 8.3)
- Otvorite korpu za travu povlačenjem zatvarača (1). Otklopite gornji deo korpe za travu (2) i pridržite ga. Preklopite korpu za travu unazad i izbacite iz nje isečeni materijal.
- Zatvorite korpu za travu.
- Zakačite korpu za travu. (⇒ 8.3)

12. Održavanje

12.1 Opšte napomene



Opasnost od povreda!

Vodite računa o bezbednosnim upozorenjima iz poglavlja „Za vašu bezbednost“ (⇒ 4.).

Godišnje održavanje kod ovlašćenog distributera:

Kosilicu jednom godišnje treba da pregleda ovlašćeni distributer. STIHL preporučuje ovlašćenog STIHL distributera.

12.2 Motor sa unutrašnjim sagorevanjem

Interval održavanja:

Pogledajte uputstvo za upotrebu motora sa unutrašnjim sagorevanjem.

Opšte napomene:

Pridržavajte se uputstava za rukovanje i održavanje koje možete pronaći u priloženom uputstvu za motor sa unutrašnjim sagorevanjem.

Za dug vek trajanja naročito su važni dovoljan nivo ulja i redovna zamena filtera ulja i vazduha.

Preporučene intervale za zamenu ulja i informacije o vrsti i potrebnoj količini motornog ulja takođe možete pronaći u uputstvu za upotrebu motora sa unutrašnjim sagorevanjem.

Rashladna rebra se moraju redovno čistiti da bi se obezbedilo odgovarajuće hlađenje motora sa unutrašnjim sagorevanjem.

12.3 Čišćenje uređaja



Interval održavanja: Nakon svakog korišćenja

Pažljiv tretman štiti uređaj od oštećenja i produžava vek upotrebe.



Opasnost od povrede!

Isključite motor sa unutrašnjim sagorevanjem, izvucite utikač za svećice i sačekajte da se uređaj ohladi.

Pre postavljanja uređaja u položaj za čišćenje ispraznite rezervoar za gorivo (ostavite motor da radi dok se sam ne isključi).

Uređaj je bezbedan u položaju za čišćenje samo ako je poklopac za izbacivanje otvoren.

- Izaberite najviši nivo košenja. (⇒ 8.4)
- Skinite korpu za travu. (⇒ 8.3)

Položaj za čišćenje RM 443, RM 443 T, RM 448 PT, RM 448 T, RM 448 TX:

- Držeći gornji deo upravljača (1), otvorite brze zatezače – preklopite ih naniže.
- Skinite gornji deo upravljača (1) prema nazad.
- Otvorite poklopac za izbacivanje (2) i pridržite ga.
- Nagnite uređaj prema napred i postavite ga u položaj za čišćenje prikazan na slici.

Položaj za čišćenje RM 448 PC, RM 448 TC, RM 448 VC:

- Pri okretanju nagore treba stajati sa desne strane, pored uređaja.

- Spustite gornji deo upravljača u najniži položaj, (do kraja, poluga za blokiranje ne može da uđe u ležište u ovom položaju). (⇒ 8.2)
- Desnom rukom otvorite preklapku za izbacivanje (2) i pridržite je.
- Levom rukom obuhvatite konzolu kao na slici i zaustavite preklapku za izbacivanje. Istovremeno palčevima aktivirajte polugu za blokiranje (3) i zadržite je.
- Desnom rukom uhvatite uređaj za prednju transportnu ručku i lagano ga prevrnite unazad, tako da upravljač leži na tlu kao na slici.
- Otpustite preklapku za izbacivanje (2) i polugu za blokiranje upravljača (3) i proverite da li uređaj stabilno stoji.

Uputstvo za čišćenje:

- Prljavštinu odstranite sa malo vode, četkom ili krpom. Posebno je važno da se očisti nož za košenje. Nikada nemojte usmeravati mlaz vode na upravljač, delove motora sa unutrašnjim sagorevanjem, zaptivke, ležajeve.
- Naslage trave najpre očistite drvenim štapom.
- Po potrebi, koristite specijalno sredstvo za čišćenje (npr. STIHL specijalno sredstvo za čišćenje).

12.4 Provera istrošenosti noža

Interval održavanja: Pre svake upotrebe



Opasnost od povrede!

Noževi se različito troše u zavisnosti od mesta primene i trajanja rada. Ako se uređaj koristi na peščanoj podlozi ili se često upotrebljava u suvim uslovima, nož je izložen većem opterećenju i troši se brže nego obično. Istrošeni nož može da se polomi i izazove teške povrede. Zato se uvek treba pridržavati uputstva za održavanje noževa.

- Okrenite kosilicu nagore u položaj za čišćenje. (⇒ 12.3)
- Očistite nož za košenje (1).
- Postavite lenjir (1) na prednju ivicu noža i izmerite izbrušenost pozadi **A**.
- Izmerite širinu noža **B** pomoću pomičnog merila (2).
- Debljinu noža **C** proverite na najmanje 5 mesta pomoću pomičnog merila (2). Posebno proverite da li minimalna debljina noža postoji i u oblasti krilaca noža.

Granice istrošenosti:

Izbrušenost pozadi **A**: < 15 mm

Minimalna širina noža **B**: > 39 mm

Debljina noža **C**: > 2 mm

Zamenite nož

- ukoliko je oštećen (urezi, pukotine),
- ukoliko su dostignute preporučene vrednosti na jednom ili više mesta na nožu, odn. ukoliko su prekoračene dozvoljene granice.

Ukoliko je na kosilicu montiran višenamenski nož, koji se isporučuje kao dodatna oprema, važe druge granice istrošenosti (Pogledajte uputstvo za upotrebu dodatne opreme).

12.5 Demontaža i montaža noža za košenje



Demontaža:

- Pomoću odgovarajućeg komada drveta (1) pridržite nož za košenje (2).
- Odvrnite zavrtanj noža (3). Uklonite nož za košenje (2), zavrtanj noža (3) i sigurnosnu podlošku (4).

Montaža:



Opasnost od povrede!

Nož za košenje (2) sme da se montira samo na način prikazan na slici. Spojnice (7) moraju biti okrenute naniže, a uzdignute ivice noža naviše.

Tačno se pridržavajte propisanog momenta zatezanja zavrtanja za nož, budući da od njega zavisi dobro pričvršćivanje reznog alata. Dodatno obezbedite zavrtanj noža (3) sredstvom za obezbeđivanje zavrtanja **Loctite 243**.

Prilikom svake montaže noža obavezno zamenite sigurnosnu podlošku (4), a zavrtanj za nož (3) prilikom svake zamene noža.

- Očistite dodirnu površinu noža i čaure noža.

- Montirajte nož za košenje (2) tako da uzdignute ivice budu okrenute naviše (prema uređaju). Uške za zadržavanje (5) na čauri noža moraju ući u otvore (6) na nožu za košenje.
- Pomoću odgovarajućeg komada drveta (1) pridržite nož za košenje (2).
- Zavrnite zavrtanj noža (3) sa novom sigurnosnom podloškom (4) i pritegnite. Momenat zatezanja: **60 - 65 Nm**

12.6 Oštrenje noža za košenje

Kompanija STIHL preporučuje da oštrenje noža za košenje prepustite stručnjaku. Nepravilno naoštreni nož (pogrešan ugao oštrenja, neravnoteža itd) utiče na funkcionalnost uređaja.

Uputstvo za oštrenje:

- Demontirajte nož za košenje (⇒ 12.5).
- Hladite nož za košenje tokom oštrenja, npr. vodom. Nož ne sme da poplavi, jer se tako smanjuje postojanost sečiva.
- Ravnomerno oštrite noževe kako biste izbegli vibracije zbog neravnoteže.
- Pridržavajte se ugla oštrenja od 30°.
- Ako je potrebno, nakon oštrenja strugotine od brušenja na ivicama sečiva uklonite finim papirom za brušenje.
- Vodite računa o granicama istrošenosti. (⇒ 12.4)

12.7 Čuvanje i skladištenje (zimska pauza)

Uređaj čuvajte u zatvorenoj suvoj prostoriji u kojoj nema puno prašine. Osigurajte da uređaj bude izvan domašaja dece.

Pre skladištenja otklonite eventualne smetnje na uređaju. Uređaj se uvek mora nalaziti u bezbednom radnom stanju.

Pre skladištenja ispraznite rezervoar za gorivo i karburator (npr. ostavite motor da radi dok se sam ne isključi).

U slučaju dužeg perioda nekorišćenja uređaja (zimski pauza), pridržavajte se i sledećih uputstava:

- Pažljivo očistite sve spoljne delove uređaja.
- Dobro nauljite, tj. podmažite sve pokretne delove.
- Odvrtite svećicu (pogledajte uputstvo za upotrebu motora sa unutrašnjim sagorevanjem) i dolijte pribl. 3 cm³ motornog ulja u motor kroz otvor svećice. Okrenite motor sa unutrašnjim sagorevanjem nekoliko puta bez svećice (povucite uže startera).



Opasnost od požara!

Zbog opasnosti od požara, utikač za svećice držite dalje od otvora za svećice.

- Ponovo zavrnite svećicu (pogledajte uputstvo za upotrebu motora sa unutrašnjim sagorevanjem).
- Zamenite ulje (pogledajte uputstvo za upotrebu motora sa unutrašnjim sagorevanjem).
- Prekrijte motor sa unutrašnjim sagorevanjem i uređaj čuvajte u normalnom položaju.

13. Transport

13.1 Transport



Opasnost od povrede!

Pre nego što transportujete uređaj, obratite pažnju na poglavlje „Za vašu bezbednost“. (⇒ 4.)

Prilikom transporta uvek nosite odgovarajuću zaštitnu odeću (zaštitne cipele, čvrste rukavice). Pre podizanja, odnosno transporta uređaja, uvek izvucite utikač za svećice. Kompanija STIHL iz bezbednosnih razloga preporučuje da uređaj podižete, odnosno nosite samo uz pomoć još jedne osobe. Pre podizanja uređaja upoznajte se sa njegovom težinom u poglavlju „Tehnički podaci“.

Nošenje uređaja

- Dve osobe: Podižite uređaj držeći ga isključivo za prednju transportnu ručku (1) i upravljač (3). Uvek pazite da vam telo bude dovoljno udaljeno od noža za košenje, što se posebno odnosi na vašu stopala i noge.
- Jedna osoba: Uređaj podižite, odnosno nosite držeći jednom rukom sredinu transportne ručke (2) pozadi, a drugom prednju transportnu ručku (1).

Vučenje uređaja

- Osigurajte uređaj na utovarnoj površini odgovarajućim sredstvima za pričvršćivanje.

- Pričvrstite užad, odnosno kaiševe na označenim mestima (4).

14. Zaštita životne sredine



Pokošena trava se ne baca u otpad, nego se kompostira.

Ambalaža, uređaj i dodatni pribor su proizvedeni od materijala koji se može

reciklirati i treba ih odlagati u skladu sa tim.

Odvojeno i ekološki prihvatljivo odlaganje ostataka materijala povećava mogućnost ponovne upotrebe iskoristivog materijala. Iz tog razloga, nakon isteka uobičajenog veka upotrebe uređaj treba odneti na mesto za prikupljanje iskoristivog materijala. Prilikom odlaganja obratite posebnu pažnju na uputstva u poglavlju „Odlaganje“ (⇒ 4.9).

Obratite se centru za recikliranje ili ovlašćenom distributeru za dodatne informacije o ispravnom odlaganju otpadnih proizvoda.

15. Smanjivanje istrošenosti i izbegavanje oštećenja

Važne napomene za održavanje i negu grupe proizvoda

Benzinska kosilica za travu (STIHL RM)

Kompanija STIHL ne preuzima bilo kakvu odgovornost za materijalnu štetu i povrede osoba koje nastanu usled nepoštovanja napomena u uputstvu za rukovanje, a posebno onih koje se odnose na bezbednost, rukovanje i održavanje ili usled korišćenja nedozvoljenih ugradnih uređaja ili rezervnih delova.

Molimo vas da se obavezno pridržavate sledećih važnih napomena radi izbegavanja nastanka štete ili prekomernog habanja vašeg STIHL uređaja:

1. Potrošni delovi

Pojedini delovi STIHL uređaja se troše i tokom pravilne upotrebe i, u zavisnosti od vrste korišćenja i njegovog trajanja, moraju da se pravovremeno zamene.

U to se između ostalog ubrajaju i:

- nož za košenje
- korpa za travu
- klinasti remen (RM 443 T, RM 448 PC, RM 448 PT, RM 448 T, RM 448 TC, RM 448 TX, RM 448 VC)

2. Pridržavanje uputstava iz ovog uputstva za upotrebu

Korišćenje, održavanje i skladištenje STIHL uređaja mora da se vrši pažljivo, na način koji je naveden u uputstvu za upotrebu. Korisnik će biti odgovoran za sve štete koje nastanu usled nepoštovanja bezbednosnih uputstava, kao i uputstava za rukovanje i održavanje.

To se posebno odnosi na:

- izvršene izmene na uređaju, koje nije odobrila kompanija STIHL.
- upotrebu pogonskih goriva koje nije odobrila kompanija STIHL (maziva, benzin, motorno ulje; pogledajte uputstva proizvođača motora sa unutrašnjim sagorevanjem).
- upotrebu alata ili dodatne opreme koja nije dozvoljena za ovaj uređaj, nije pogodna ili nije odgovarajućeg kvaliteta.
- nenamensku upotrebu uređaja.

- korišćenje proizvoda na sportskim ili takmičarskim manifestacijama.
- oštećenja koja su nastala kao posledica nastavka korišćenja uređaja sa neispravnim delovima.

3. Radovi na održavanju

Svi radovi navedeni u odeljku „Održavanje“ moraju se redovno sprovesti.

Ukoliko korisnik nije u stanju da samostalno obavi radove na održavanju, treba da za to zaduži ovlašćenog distributera.

Kompanija STIHL preporučuje da radove na održavanju i popravke obavljate kod ovlašćenog STIHL distributera.

Ovlašćenim STIHL distributerima redovno se nude obuke i dostavljaju tehničke informacije.

Korisnik će biti odgovoran za oštećenja do kojih može doći ukoliko se ovi radovi ne obave.

U to se, između ostalog, ubrajaju:

- korozija i druga oštećenja usled neadekvatnog skladištenja.
- šteta nastala na uređaju usled upotrebe rezervnih delova slabijeg kvaliteta.
- šteta nastala usled neblagovremenog ili nedovoljnog održavanja tj. šteta usled radova na održavanju i popravki koje nisu vršene u servisnim radionicama ovlašćenih distributera.

16. Uobičajeni rezervni delovi

Nož za košenje RM 443, RM 443 T:

6338 702 0100

Nož za košenje RM 448 PC, RM 448 PT,
RM 448 T, RM 448 TC, RM 448 TX,
RM 448 VC:

6358 702 0100

Zavrtnaj za nož:

9008 319 9028

Sigurnosna podloška:

0000 702 6600



Elementi za fiksiranje noža za košenje (npr. zavrtnaj za nož, sigurnosna podloška) moraju se zameniti prilikom zamene noža, odnosno prilikom montaže noža. Rezervni delovi mogu da se nabave kod ovlašćenog STIHL distributera.

17. EC Izjava proizvođača o usaglašenosti

17.1 Benzinska kosilica za travu (STIHL RM)

STIHL Tirol GmbH
Hans Peter Stihl-Straße 5
6336 Langkampfen
Austrija

izjavljuje pod isključivom odgovornošću da je mašina

Kosilica sa ručnim upravljanjem i motorom sa unutrašnjim sagorevanjem (STIHL RM)

Fabrička marka: **STIHL**

Serijski broj: **6338**

Tip: RM 443.0
RM 443.0 T

Serijski broj: **6358**

Tip: RM 448.0 PC

Fabrička marka:

STIHL

RM 448.0 PT

RM 448.0 T

RM 448.0 TC

RM 448.0 TX

RM 448.0 VC

proizvedena u skladu sa sledećim smernicama EU:
2011/65/EU, 2000/14/EC, 2014/30/EU, 2006/42/EC

Proizvod je razvijen u skladu sa sledećim normama:
EN ISO 5395-1, EN ISO 5395-2, EN 14982

Za razvoj i proizvodnju proizvoda relevantne su verzije standarda važeće za datum proizvodnje.

Primenjeni postupak potvrde usaglašenosti:
Prilog VIII (2000/14/EC)

Naziv i adresa institucije koja je obavila kontrolu:

TÜV Rheinland LGA Products GmbH
Tillystraße 2
D-90431 Nürnberg

Osoba zadužena za sastavljanje i čuvanje tehničke dokumentacije:
Sven Zimmermann
STIHL Tirol GmbH

Godina proizvodnje i broj mašine nalaze se na pločici s podacima o uređaju.

Izmereni nivo zvučne snage:

RM 443.0	93,0 dB(A)
RM 443.0 T	93,0 dB(A)
RM 448.0 PC	95,3 dB(A)
RM 448.0 PT	95,3 dB(A)
RM 448.0 T	95,7 dB(A)

Izmereni nivo zvučne snage:

RM 448.0 TC	95,7 dB(A)
RM 448.0 TX	95,3 dB(A)
RM 448.0 VC	95,3 dB(A)

Garantovani nivo zvučne snage:

RM 443.0	94 dB(A)
RM 443.0 T	94 dB(A)
RM 448.0 PC	96 dB(A)
RM 448.0 PT	96 dB(A)
RM 448.0 T	96 dB(A)
RM 448.0 TC	96 dB(A)
RM 448.0 TX	96 dB(A)
RM 448.0 VC	96 dB(A)

Langkampfen,
2019-01-02 (GGGG-MM-DD)

STIHL Tirol GmbH
ovlašćeni predstavnik

Sven Zimmermann

Rukovodilac odeljenja za konstrukciju

18. Tehnički podaci

**RM 443.0, RM 443.0 T, RM 448.0 PC,
RM 448.0 PT, RM 448.0 T, RM 448.0 TC,
RM 448.0 TX, RM 448.0 VC:**

Vrsta motora sa unutrašnjim sagorevanjem	4-taktni motor sa unutrašnjim sagorevanjem
Uređaj za startovanje motora	Uže za startovanje
Rezni alat	Nosač noža
Pogon nosača noža	trajni
Momenat zatezanja zavrtnja za nož	60 - 65 Nm
Bezbednosni uređaj	Zaustavljanje motora
Prečnik prednjeg točka	180 mm
Prečnik zadnjeg točka	200 mm
Zapremina punjenja korpe za travu	55 l
Visina košenja	25 - 75 mm

RM 443.0, RM 443.0 T:

Serijski broj	6338
Širina noža:	41 cm

RM 443.0:

Motor sa unutrašnjim sagorevanjem:	Briggs & Stratton, Series 550 EX OHV RS
Proizvođač, tip	550 EX OHV RS
Zapremina	140 ccm
Nominalna snaga pri nominalnom broju obrtaja	2,1 - 2800 kW - o/min
Rezervoar za gorivo	0,8 l
Broj obrtaja nosača noža	2800 o/min
Pogon točkova	Ne
Dužina	144 cm
Širina	49 cm
Visina	109 cm
Težina	23 kg

Zvučna emisija

Prema smernici 2000/14/EC:	
Garantovani nivo zvučne snage L_{WAAd}	94 dB(A)
Prema smernici 2006/42/EC:	
Nivo zvučnog pritiska na radnom mestu	
L_{pA}	81 dB(A)
Odstupanje K_{pA}	2 dB(A)

Vibracije ruka-rame

Navedena karakteristična vrednost vibracija prema EN 12096:	
Izmerena vrednost	
a_{hw}	4,10 m/s ²
Odstupanje K_{hw}	2,05 m/s ²
Merenje prema EN 20643	

RM 443.0 T:

Motor sa unutrašnjim sagorevanjem:	Briggs & Stratton, Series 550 EX OHV RS
Proizvođač, tip	550 EX OHV RS
Zapremina	140 ccm
Nominalna snaga pri nominalnom broju obrtaja	2,1 - 2800 kW - o/min
Rezervoar za gorivo	0,8 l
Broj obrtaja nosača noža	2800 o/min
Pogon točkova	1 brzina za hod unapred sa laganim ubrzavanjem

Dužina	144 cm
Širina	48 cm
Visina	109 cm
Težina	25 kg

Zvučna emisija

Prema smernici 2000/14/EC:	
Garantovani nivo zvučne snage L_{WAAd}	94 dB(A)

Prema smernici 2006/42/EC:

Nivo zvučnog pritiska na radnom mestu	
L_{pA}	81 dB(A)
Odstupanje K_{pA}	2 dB(A)

Vibracije ruka-rame

Navedena karakteristična vrednost vibracija prema EN 12096:	
Izmerena vrednost	
a_{hw}	4,10 m/s ²
Odstupanje K_{hw}	2,05 m/s ²
Merenje prema EN 20643	

RM 448.0 PC, RM 448.0 PT, RM 448.0 T, RM 448.0 TC, RM 448.0 TX, RM 448.0 VC:

Serijski broj	6358
Širina noža	46 cm

RM 448.0 PC:

Motor sa unutrašnjim sagorevanjem:	Briggs & Stratton, Series 625
Proizvođač, tip	625
Zapremina	150 ccm
Nominalna snaga pri nominalnom broju obrtaja	2,2 - 2800 kW - o/min
Rezervoar za gorivo	0,8 l
Broj obrtaja nosača noža	2800 o/min
Pogon točkova	1 brzina za kretanje napred sa laganim ubrzavanjem
Dužina	147 cm
Širina	50 cm
Visina	113 cm
Težina	27 kg

Zvučna emisija

Prema smernici 2000/14/EC:

Garantovani nivo
zvučne snage L_{WAAd} 96 dB(A)

Prema smernici 2006/42/EC:

Nivo zvučnog pritiska
na radnom mestu

L_{pA} 83 dB(A)

Odstupanje K_{pA} 2 dB(A)

Vibracije ruka-rame

Navedena karakteristična vrednost
vibracija prema EN 12096:

Izmerena vrednost

a_{hw} 3,00 m/s²

Odstupanje K_{hw} 1,50 m/s²

Mereno prema EN 20643

RM 448.0 PT:

Motor sa unutrašnjim
sagorevanjem: Briggs &
Proizvođač, tip Stratton, Series
625

Zapremina 150 ccm

Nominalna snaga pri
nominalnom broju 2,2 - 2800
obrtaja kW - o/min

Rezervoar za gorivo 0,8 l

Broj obrtaja nosača
noža 2800 o/min

Pogon točkova 1 brzina za
kretanje napred
sa laganim
ubrzavanjem

Dužina 147 cm

Širina 50 cm

Visina 111 cm

Težina 27 kg

Zvučna emisija

Prema smernici 2000/14/EC:

Garantovani nivo
zvučne snage L_{WAAd} 96 dB(A)

Prema smernici 2006/42/EC:

Nivo zvučnog pritiska
na radnom mestu

L_{pA} 83 dB(A)

Odstupanje K_{pA} 2 dB(A)

Vibracije ruka-rame

Navedena karakteristična vrednost
vibracija prema EN 12096:

Izmerena vrednost

a_{hw} 3,90 m/s²

Odstupanje K_{hw} 1,95 m/s²

Mereno prema EN 20643

RM 448.0 T:

Motor sa unutrašnjim
sagorevanjem: Briggs &
Proizvođač, tip Stratton, Series
575

Zapremina 140 ccm

Nominalna snaga pri
nominalnom broju 2,1 - 2800
obrtaja kW - o/min

Rezervoar za gorivo 0,8 l

Broj obrtaja nosača
noža 2800 o/min

Pogon točkova 1 brzina za
kretanje napred
sa laganim
ubrzavanjem

Dužina 147 cm

Širina 50 cm

Visina 111 cm

Težina 26 kg

Zvučna emisija

Prema smernici 2000/14/EC:

Garantovani nivo
zvučne snage L_{WAAd} 96 dB(A)

Prema smernici 2006/42/EC:

Nivo zvučnog pritiska
na radnom mestu

L_{pA} 83 dB(A)

Odstupanje K_{pA} 2 dB(A)

Vibracije ruka-rame

Navedena karakteristična vrednost
vibracija prema EN 12096:

Izmerena vrednost

a_{hw} 3,90 m/s²

Odstupanje K_{hw} 1,95 m/s²

Mereno prema EN 20643

RM 448.0 TC:

Motor sa unutrašnjim
sagorevanjem: Briggs &
Proizvođač, tip Stratton, Series
575

Zapremina 140 ccm

Nominalna snaga pri
nominalnom broju 2,1 - 2800
obrtaja kW - o/min

Rezervoar za gorivo 0,8 l

Broj obrtaja nosača
noža 2800 o/min

Pogon točkova 1 brzina za
kretanje napred
sa laganim
ubrzavanjem

Dužina 147 cm

Širina 50 cm

Visina 113 cm

Težina 27 kg

Zvučna emisija

Prema smernici 2000/14/EC:

Garantovani nivo
zvučne snage L_{WAAd} 96 dB(A)

Prema smernici 2006/42/EC:

Nivo zvučnog pritiska
na radnom mestu

L_{pA} 83 dB(A)

Odstupanje K_{pA} 2 dB(A)

Vibracije ruka-rame

Navedena karakteristična vrednost
vibracija prema EN 12096:

Izmerena vrednost	
a_{hw}	3,50 m/s ²
Odstupanje K_{hw}	1,75 m/s ²
Mereno prema EN 20643	

RM 448.0 TX:

Motor sa unutrašnjim sagorevanjem:	Briggs & Stratton, Series
Proizvođač, tip	550 EX OHV RS
Zapremina	140 ccm
Nominalna snaga pri nominalnom broju obrtaja	2,1 - 2800 kW - o/min
Rezervoar za gorivo	0,8 l
Broj obrtaja nosača noža	2800 o/min
Pogon točkova	1 brzina za kretanje napred sa laganim ubrzavanjem

Dužina	147 cm
Širina	50 cm
Visina	111 cm
Težina	26 kg

Zvučna emisija

Prema smernici 2000/14/EC:	
Garantovani nivo zvučne snage L_{WAd}	96 dB(A)
Prema smernici 2006/42/EC:	

Nivo zvučnog pritiska na radnom mestu	
L_{pA}	83 dB(A)
Odstupanje K_{pA}	2 dB(A)

Vibracije ruka-rame

Navedena karakteristična vrednost vibracija prema EN 12096:	
Izmerena vrednost	
a_{hw}	4,10 m/s ²
Odstupanje K_{hw}	2,05 m/s ²

Mereno prema EN 20643

RM 448.0 VC:

Motor sa unutrašnjim sagorevanjem:	Briggs & Stratton, Series
Proizvođač, tip	625
Zapremina	150 ccm
Nominalna snaga pri nominalnom broju obrtaja	2,2 - 2800 kW - o/min
Rezervoar za gorivo	0,8 l
Broj obrtaja nosača noža	2800 o/min
Pogon točkova	Vario za kretanje napred
Dužina	147 cm
Širina	50 cm
Visina	113 cm
Težina	28 kg

Zvučna emisija

Prema smernici 2000/14/EC:	
Garantovani nivo zvučne snage L_{WAd}	96 dB(A)
Prema smernici 2006/42/EC:	
Nivo zvučnog pritiska na radnom mestu	
L_{pA}	83 dB(A)
Odstupanje K_{pA}	2 dB(A)

Vibracije ruka-rame

Navedena karakteristična vrednost vibracija prema EN 12096:	
Izmerena vrednost	
a_{hw}	3,00 m/s ²
Odstupanje K_{hw}	1,50 m/s ²
Mereno prema EN 20643	

18.1 REACH

REACH predstavlja uredbu EZ koja uređuje pitanja registracije, evaluacije, autorizacije i restrikcije u upotrebi hemikalija.

Informacije o ispunjavanju REACH uredbe (EZ) br. 1907/2006 su navedene pod www.stihl.com/reach.

19. Traženje grešaka

✖ Po potrebi potražite distributera. Kompanija STIHL vam preporučuje ovlašćenog STIHL distributera.

📖 Pogledajte uputstvo za upotrebu motora sa unutrašnjim sagorevanjem.

Smetnja:

Motor sa unutrašnjim sagorevanjem se ne pokreće.

Mogući uzrok:

- Ručica za zaustavljanje motora nije povučena.
- Nema goriva u rezervoaru; vodovi za gorivo su zapušeni.
- Loše, zaprljano ili staro gorivo u rezervoaru.
- Zaprljan filter za vazduh.
- Utikač za svećice je otkaćen od svećice; kabl za pokretanje je loše pričvršćen za utikač.
- Svećica je čađava ili oštećena; pogrešan razmak elektroda.

Rešenje:

- Pritisnite ručicu za zaustavljanje motora prema upravljaču i zadržite je. (⇒ 9.2)
- Dolijte gorivo; očistite vodove za gorivo. ✖

- Uvek koristite sveže gorivo poznate marke, bezolovni benzin; očistite karburator. ✘
- Očistite filter za vazduh. ✘
- Postavite utikač za svećice; proverite vezu između kabla za pokretanje i utičnice. ✘
- Očistite ili zamenite svećicu; podesite razmak između elektroda. ✘

Smetnja:

Otežano pokretanje ili smanjena snaga motora sa unutrašnjim sagorevanjem.

Mogući uzrok:

- Začepljeno kućište kosilice za travu.
- Košenje sa suviše niskim stepenom sečenja odn. brzina guranja je prevelika u odnosu na visinu rezanja.
- Voda u rezervoaru za gorivo i karburatoru; karburator je začepljen.
- Rezervoar za gorivo je zaprljan.
- Filter za vazduh je zaprljan.
- Svećica za paljenje je puna čađi.

Rešenje:

- Očistite kućište kosilice za travu (Izvcite utikač svećica za paljenje!). (⇒ 12.3)
- Podesite viši stepen sečenja odn. smanjite brzinu guranja. (⇒ 8.4)
- Ispraznite rezervoar za gorivo, očistite vod za gorivo i karburator. ✘
- Očistite rezervoar za gorivo. ✘
- Očistite filter za vazduh. ✘
- Očistite svećicu za paljenje. ✘

Smetnja:

Motor sa unutrašnjim sagorevanjem se pregreva.

Mogući uzrok:

- Premali nivo ulja u motoru sa unutrašnjim sagorevanjem.

- Rashladna rebra su zaprljana.

Pomoć:

- Zamenite motorno ulje. (⇒ 7.6)
- Očistite rashladna rebra. (⇒ 12.3)

Smetnja:

Jake vibracije tokom rada.

Mogući uzrok:

- Rezna jedinica neispravna.
- Motor sa unutrašnjim sagorevanjem nije dobro fiksiran.

Pomoć:

- Proverite nož za košenje, vratilo noža i elemente za fiksiranje noža (vijak noža i sigurnosnu podlošku) i po potrebi ih popravite. ✘
- Pritegnite vijke za pričvršćivanje motora sa unutrašnjim sagorevanjem. ✘

Smetnja:

Neuredno sečenje, travnjak će požuteti

Mogući uzrok:

- Nož za košenje se istupeo ili je istrošen

Pomoć:

- Naoštrite ili zamenite nož za košenje (⇒ 12.6), (⇒ 12.5), ✘

20. Plan servisiranja

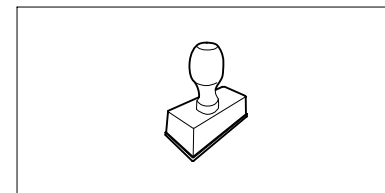
20.1 Potvrda primopredaje

Model: _____

Serjski broj:

□	□	□	□	□	□	□	□	□	□
---	---	---	---	---	---	---	---	---	---

Datum: _____



Sledeći servis

Datum: _____

20.2 Potvrda servisiranja



Ovo uputstvo za upotrebu prilikom radova na održavanju dostavite ovlašćenom STIHL distributeru. On će u odštampanim poljima potvrditi da su servisni radovi izvršeni.

Servisiranje obavljeno na dan

Datum sledećeg servisiranja

Cijenjeni kupci!

hvala vam što ste se odlučili za proizvod tvrtke STIHL. Mi razvijamo i proizvodimo svoje proizvode prema vrhunskim standardima kvalitete, u skladu s potrebama naših klijenata. Tako nastaju vrhunski pouzdani proizvodi prikladni i za najzahtjevnije radove.

STIHL znači i vrhunsku kvalitetu servisa. Naše ovlaštene trgovine jamče stručno savjetovanje i upute, kao i sveobuhvatnu tehničku pomoć.

Zahvaljujemo vam na povjerenju i želimo vam puno zadovoljstva pri radu s proizvodom STIHL.

Dr. Nikolas Stihl

VAŽNO! PRIJE UPOTREBE PROČITATI I POHRANITI.

1. Sadržaj

O ovim uputama za uporabu	126
Općenito	126
Naputci uz čitanje ovih uputa za uporabu	126
Opis uređaja	127
Za vašu sigurnost	127
Općenito	127
Punjenje goriva – rukovanje benzinom	128
Odjeća i oprema	128
Transport uređaja	129
Prije rada	129
Za vrijeme rada	129
Održavanje i popravci	131
Skladištenje kod duljeg nekorištenja	132
Odlaganje	132
Opis simbola	133
Opseg isporuke	133
Priprema uređaja za rad	134
Općenito	134
Montaža mono upravljača (RM 448 PC, RM 448 TC, RM 448 VC)	134
Montaža dvostrukog upravljača (RM 443, RM 443 T, RM 448 PT, RM 448 T, RM 448 TX)	134
Sastavljanje košare za travu	134
Ovješeno i skidanje pokretačkog užeta	134
Gorivo i motorno ulje	135
Upravljački elementi	135
Namještanje mono upravljača (RM 448 PC, RM 448 TC, RM 448 VC)	135

Preklopite dvostruki upravljač (RM 443, RM 443 T, RM 448 PT, RM 448 T, RM 448 TX)	135
Košara za travu	136
Centralno podešavanje visine reza	136
Pokazivač razine napunjenosti	136
Sigurnosne naprave	136
Zaštitne naprave	136
Stremen za zaustavljanje motora	136
Napomene uz rad	136
Radno područje rukovatelja	137
Pokretanje uređaja	137
Pokretanje motora s unutarnjim izgaranjem	137
Gašenje motora s unutarnjim izgaranjem	137
Vozni pogon (RM 443 T, RM 448 PC, RM 448 PT, RM 448 T, RM 448 TX, RM 448 TC, RM 448 VC)	137
Pražnjenje košare za travu	137
Održavanje	138
Općenito	138
Motor s unutarnjim izgaranjem	138
Čišćenje uređaja	138
Provjera istrošenosti noža za košnju	139
Demontaža i ugradnja noža za košnju	139
Oštrenje noža za košnju	139
Skladištenje i mirovanje (zimski stanka)	140
Transport	140
Transport	140
Zaštita okoliša	140
Minimaliziranje trošenja i izbjegavanje šteta	140
Uobičajeni rezervni dijelovi	141

EU izjava o usklađenosti	141
Benzinska kosilica (STIHL RM)	141
Servisa - Rezervni dijelovi	142
Adresa glavne uprave tvrtke STIHL	142
Adrese distributera STIHL	142
Adrese uvoznika STIHL	142
Tehnički podaci	143
REACH	145
Traženje pogrešaka	145
Servisni plan	146
Potvrda predaje	146
Potvrda servisa	146

2. O ovim uputama za uporabu

2.1 Općenito

Ove su upute za uporabu **originalne upute** proizvođača u smislu EU direktive 2006/42/EC.

STIHL neprestano radi na razvoju svojih proizvoda pa stoga zadržava pravo na izmjene u oblikovanju, tehničkoj izvedbi i opremi uređaja.

Stoga se na temelju podataka i slika iz ovih uputa ne mogu postavljati nikakvi zahtjevi.

U ovim uputama za uporabu mogu biti opisani modeli koji nisu dostupni u svakoj državi.

Ove upute za uporabu zaštićene su zakonom o autorskim pravima. Sva su prava zadržana, osobito pravo na umnožavanje, prijevod i obrađivanje elektroničkim sustavima.

2.2 Naputci uz čitanje ovih uputa za uporabu

Slike i tekstovi opisuju određene korake rukovanja.

U ovim uputama za uporabu objašnjeni su svi slikovni simboli koji se nalaze na uređaju.

Smjer gledanja:

Smjer gledanja s obzirom na uporabu pojmova „**lijevo**“ i „**desno**“ u ovim uputama:

Korisnik stoji iza uređaja i gleda prema naprijed u smjeru kretanja.

Referenca na poglavlja:

Reference na odgovarajuća poglavlja i potpoglavlja za daljnja objašnjenja označene su strelicom. Sljedeći primjer prikazuje referencu na poglavlje: (⇒ 4.)

Označavanje tekstualnih odlomaka:

Opisane upute mogu biti označene kao u sljedećim primjerima.

Postupci koji od korisnika zahtijevaju određeni zahvat:

- Otpustite vijak (1) ključem za vijke, aktivirajte polugu (2) ...

Opća nabranja:

- Uporaba proizvoda u sportske ili natjecateljske svrhe

Tekstovi s dodatnim značenjem:

Kako bi se tekstualni odlomci s dodatnim značenjem posebno istaknuli u ovim uputama za uporabu, označeni su jednim od dolje opisanih simbola.



Opasnost!

Opasnost od nezgoda i teških ozljeda. Treba slijediti određeni način ponašanja ili odustati od određenog načina ponašanja.



Upozorenje!

Opasnost od ozljeda. Određeno ponašanje sprječava moguće ili vjerojatne ozljede.



Oprez!

Lake ozljede, odn. materijalne štete koje se mogu spriječiti određenim ponašanjem.



Napomena

Informacija koja će vam omogućiti bolju iskorištenost uređaja i izbjegavanje mogućih pogrešaka pri uporabi.

Tekstovi povezani sa slikom:

Slike koje objašnjavaju uporabu uređaja možete pronaći na samom početku ovih uputa za uporabu.

Simbol kamere služi za povezivanje slika na stranicama sa slikama i dotičnog dijela teksta u uputama za uporabu.



3. Opis uređaja



- 1 Stremen za zaustavljanje motora
- 2 Stremen za vozni pogon (RM 443 T, RM 448 PC, RM 448 PT, RM 448 T, RM 448 TX, RM 448 TC, RM 448 VC)
- 3 Poluga Vario-pogona (RM 448 VC)
- 4 Gornji dio upravljača
- 5 Pokretačko uže
- 6 Brzi pritezač (RM 443, RM 443 T, RM 448 PT, RM 448 T, RM 448 TX)
- 7 Donji dio upravljača (RM 443, RM 443 T, RM 448 PT, RM 448 T, RM 448 TX)
- 8 Motor s unutarnjim izgaranjem
- 9 Prigušni lonac sa zaštitnom rešetkom
- 10 Utikač svjeće
- 11 Prednja drška
- 12 Prednji kotač
- 13 Stražnji kotač
- 14 Košara za travu
- 15 Stražnja drška
- 16 Poluga sustava za namještanje visine reza
- 17 Natpisna pločica sa serijskim brojem stroja
- 18 Upravljačka konzola (RM 448 PC, RM 448 TC, RM 448 VC)
- 19 Upravljač s uklopnom polugom (RM 448 PC, RM 448 TC, RM 448 VC)

4. Za vašu sigurnost

4.1 Općenito



Pri radu s uređajem morate se bezuvjetno pridržavati ovih propisa za zaštitu od nezgode.



Prije prvog puštanja u rad pažljivo pročitajte upute za uporabu. Sačuvajte upute za uporabu za kasnije korištenje.

Obratite pozornost na napomene za rukovanje i održavanje koje možete naći u odvojenim uputama za uporabu motora s unutarnjim izgaranjem.

Ove mjere opreza nužne su za vašu sigurnost, ali popis svih mjera nije konačan. Uvijek rabite uređaj razumno i odgovorno te imajte na umu da je korisnik odgovoran za nezgode koje uzrokuju ozljede osoba ili materijalne štete.

Upoznajte se s upravljačkim dijelovima i uporabom uređaja.

Uređaj smiju koristiti samo osobe, koje su pročitale upute za uporabu i koje su upoznate s rukovanjem uređajem. Prije prvog puštanja u rad korisnik se mora potruditi za stručno i praktično poučavanje. Korisniku prodavač ili drugo stručno lice mora pojasniti kako se uređaj rabi.

Pri tom poučavanju korisniku treba posebice staviti do znanja da je za rad s uređajem nužna osobita pozornost i koncentracija.

Čak i ako propisno upotrebljavate uređaj, uvijek ostaju preostale opasnosti.



Opasnost od gušenja!

Ako se djeca igraju s materijalom za pakiranje, prijeti opasnost od gušenja. Materijal za pakiranje obavezno držite podalje od djece.

Uređaj, uključujući sve priključke, smijete dati na korištenje odnosno iznajmljivati samo osobama koje su upoznate s ovim modelom i njegovim rukovanjem. Upute za uporabu dio su uređaja i uvijek moraju biti priložene.

Upotrebljavajte uređaj samo kad ste odmorni i u dobroj psiho-fizičkoj kondiciji. Ako ste narušenog zdravlja, trebali biste se konzultirati s liječnikom je li rad s uređajem moguć. Strojem se ne smije rukovati nakon uzimanja alkohola, droga ili lijekova koji ograničavaju sposobnost reagiranja.

Uređaj nikada ne smiju upotrebljavati djeca, osobe s ograničenim tjelesnim, senzoričkim ili duševnim sposobnostima ili nedovoljnim iskustvom i znanjem te osobe koje nisu upoznate s uputama za rad.

Nikada nemojte dopustiti da uređaj upotrebljavaju djeca ili osobe mlađe od 16 godina. Lokalnim odredbama može biti propisana minimalna starost korisnika.

Uređaj je dizajniran za privatnu uporabu.

Pozor – opasnost od nezgode!

Kosilica je namijenjena samo za košnju. Druga primjena nije dopuštena i može biti opasna ili uzrokovati štete na uređaju.

Kako fizičko zdravlje korisnika ne bi bilo ugroženo, kosilica se ne smije koristiti za sljedeće radove (nepotpuno nabranje):

- za obrezivanje gmlja, živice i žbunja,
- za rezanje puzavica,
- za održavanje travnjaka na krovnim nasadima i balkonskim žardinjerama,

- za sjeckanje i usitnjavanje obrezanih ostataka stabala i živice,
- za čišćenje staza (usisavanje, otpuhivanje),
- za poravnavanje povišenih neravnina, kao npr. krtičnjaka,
- za prijevoz odrezanih biljnih ostataka, osim u za to predviđenoj košari za travu.

Iz sigurnosnih je razloga svaka promjena na uređaju, izuzev stručne nadogradnje pribora koju je dopustio STIHL, zabranjena i to dovodi do ukidanja prava na jamstvo. Informaciju o odobrenom priboru možete dobiti kod STIHL prodavača.

Svaka je manipulacija na uređaju koja povećava snagu ili broj okretaja motora s unutarnjim izgaranjem odnosno elektromotora zabranjena.

S uređajem se ne smiju transportirati predmeti, životinje ili osobe, posebice djeca.

Kod uporabe na javnim mjestima, parkovima, sportskim igralištima, ulici i u poljoprivrednim i šumarskim pogonima potreban je poseban oprez.



Pozor! Opasnost po zdravlje zbog vibracija! Pretjerana izloženost vibracijama može uzrokovati oštećenje krvožilnog

i živčanog sustava, naročito kod ljudi s problemima s krvotokom. Obratite se svom liječniku, ako nastupe simptomi koje je moglo uzrokovati izlaganje vibracijama. Takvi simptomi uglavnom se javljaju u prstima, rukama ili ručnim zglobovima, a u njih se ubrajaju (nepotpuni popis):

- gubitak osjeta,
- bolovi,
- slabost u mišićima,

- promijenjena boja kože,
- neugodni trnci.

Držite upravljač tijekom rada čvrsto ali ne prenapeto objema rukama na predviđenim mjestima.

Radno vrijeme isplanirajte tako da se izbjegnu veća opterećenja tijekom duljeg vremenskog razdoblja.

4.2 Punjenje goriva – rukovanje benzinom



Opasnost po život!

Benzin je otrovan i lako zapaljiv.

Benzin čuvajte samo u odgovarajućim i ispitanim spremnicima (kanistrima). Poklopce za zatvaranje spremnika treba pravilno zavrnuti i čvrsto pritegnuti. Neispravni čepovi se zbog sigurnosnih razloga moraju zamijeniti.

Nikada nemojte upotrebljavati boce od pića ili slično za uklanjanje ili skladištenje pogonskih tvari poput goriva. Osobe, posebice djeca, mogli bi posegnuti za takvim bocama i piti iz njih.



Benzin držite podalje od iskri, otvorenog plamena, trajnog plamena, izvora topline i drugih zapaljivih izvora. Ne pušiti!

Gorivo puniti samo na otvorenom, a za vrijeme ulijevanja goriva nemojte pušiti.

Prije punjenja goriva isključite motor s unutarnjim izgaranjem i ostavite ga da se ohladi.

Benzin treba uliti prije pokretanja motora s unutarnjim izgaranjem. Dok motor s unutarnjim izgaranjem radi ili ako je uređaj vruć, ne smijete otvarati zatvarač spremnika niti dolijevati benzin.

Nemojte prekomjerno napuniti spremnik za gorivo!

Spremnik za gorivo uvijek puniti samo do donjeg ruba grla za punjenje kako bi gorivo imalo prostora za širenje.

Dodatno obratite pozornost na informacije u uputama za uporabu motora s unutarnjim izgaranjem.



Ako se benzin prelije, motor s unutarnjim izgaranjem pokrenite tek nakon što ste očistili benzinom onečišćenu površinu. Svaki pokušaj paljenja treba izbjegavati sve dok benzin ne ispari (obrišite ga suhom krpom).

Uvijek treba obrisati proliveno gorivo.

Ako benzin dospije na odjeću, ona se mora zamijeniti.

Nikada nemojte skladištiti uređaj unutar zgrade ako u spremniku ima benzina. Benzinske pare koje nastaju mogu doći u dodir s otvorenim plamenom ili iskrom i zapaliti se.

Ako treba isprazniti spremnik, učinite to na otvorenome.

4.3 Odjeća i oprema



Tijekom rada uvijek nosite čvrste cipele sa stabilnim đonom. Nikada nemojte raditi bosu ili, primjerice, u sandalama.



Prilikom održavanja i čišćenja, kao i prilikom transportiranja uređaja, nosite čvrste rukavice, a dugačku kosu svežite i zaštitite (maramom, kapom i sl.).



Prilikom oštrenja noža za košnju nosite odgovarajuće zaštitne naočale.

Uređaj stavljajte u pogon noseći dugačke hlače i usko pripijenu odjeću.

Nikada ne nosite široku odjeću koja bi se mogla zakvačiti za pokretne dijelove (upravljačka poluga) – ni nakit, kravate ili šalove.



Tijekom rada nastaje buka.
Buka može oštetiti sluh.

Nosite štitnik za uši.

4.4 Transport uređaja

Radite samo u zaštitnim rukavicama kako biste izbjegli ozljede na oštrim rubovima i vrućim dijelovima uređaja.

Nemojte transportirati uređaj dok motor s unutarnjim izgaranjem radi. Prije transporta isključite motor s unutarnjim izgaranjem, pričekajte da se nož zaustavi i izvucite utikač svjećice.

Uređaj transportirajte samo kad je motor s unutarnjim izgaranjem hladan i kad u spremniku nema goriva.

Koristite odgovarajuća pomagala za pretovar (utovarne rampe, podizne naprave).

Na teretnoj površini, osigurajte uređaj i njegove prateće dijelove (npr. košaru za travu) dovoljno dimenzioniranim pričvrstnim sredstvima (remenje, užad itd.).

Prilikom podizanja i nošenja izbjegavajte kontakt s nožem za košnju.

Obratite pozornost na upute u poglavlju „Transport“. Tamo je opisano kako uređaj treba podizati, odn. vezati. (⇒ 13.)

Prilikom transporta uređaja poštujujte lokalne zakonske propise, posebice one koji se odnose na sigurnost tereta kao i transport predmeta na utovarnoj površini.

4.5 Prije rada

Treba osigurati da s uređajem rade samo osobe koje poznaju upute za uporabu.

Prije pokretanja uređaja provjerite nepropusnost sustava za gorivo, posebno vidljivih dijelova kao što su npr. spremnik za gorivo, poklopac spremnika za gorivo, spojevi crijeva. Ako su utvrđena propuštanja ili oštećenja, nemojte pokretati motor s unutarnjim izgaranjem – **opasnost od požara!**

Uređaj je potrebno popraviti u ovlaštenom servisu prije ponovnog pokretanja.

Vodite računa o lokalno propisanim vremenima korištenja vrtnih uređaja s motorom s unutarnjim izgaranjem odnosno elektromotorom.

Provjerite cijelo zemljište na kojem se uređaj upotrebljava i uklonite kamenje, drvlje, žice, kosti i ostala strana tijela koja bi prilikom rada uređaja mogla biti izbačena u zrak. U visokoj travi lako je previdjeti prepreke (npr. panjevi, korijenje).

Stoga prije rada označite sva strana tijela (prepreke) skrivena u travnjaku koja nije moguće ukloniti.

Prije uporabe uređaja zamijenite sve neispravne, kao i potrošene ili oštećene dijelove. Nečitke ili oštećene naljepnice s napomenama o opasnostima i upozorenjima na uređaju morate zamijeniti novima. Rezervne naljepnice i sve druge rezervne dijelove možete nabaviti kod ovlaštenog STIHL trgovca.

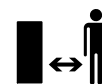
Prije uporabe uređaja provjerite čvrst i siguran dosjed utikača svjećica na svjećicama.

Uređaj se smije upotrebljavati samo u stanju sigurnom za rad. Prije svakog stavljanja u pogon provjerite

- je li uređaj propisno montiran.
- nalaze li se rezni alat i cijela rezna jedinica (nož za košnju, pričvrstni elementi, kutija s nožem za košnju) u besprijekornom stanju. Posebno pazite na čvrst dosjed, oštećenja (urezi ili napuknuća) te istrošenost. (⇒ 12.4)
- je li poklopac spremnika pravilno navrnut.
- nalazi li se spremnik goriva i poklopac spremnika u besprijekornom stanju,
- jesu li sigurnosne naprave (npr. stremen za zaustavljanje motora, zaklopka za izbacivanje, kućište, upravljač, zaštitna rešetka) u besprijekornom stanju te funkcioniraju li ispravno,
- je li košara za travu neoštećena i potpuno montirana; oštećena košara za travu ne smije se upotrebljavati.
- je li zaporni vijak za ulje pravilno navrnut.

Po potrebi provedite sve nužne radove, odn. potražite ovlaštenog servisera. STIHL preporučuje ovlaštenog STIHL trgovca.

4.6 Za vrijeme rada



Nipošto nemojte raditi s uređajem dok se u području opasnosti nalaze životinje ili osobe, naročito djeca.

Sklopne i sigurnosne naprave montirane na uređaju ne smiju se skidati ili premošćivati. Osobito nipošto nemojte pričvršćivati stremen za zaustavljanje motora na upravljač (np r. vezanjem).



Pozor – opasnost od ozljeda!

Nemojte približavati ruke i noge rotirajućim dijelovima niti ih stavljati ispod njih. Nikada nemojte dirati nož koji se okreće. Uvijek se držite podalje od otvora za izbacivanje.

Uvijek poštujujte sigurnu udaljenost koju nameće upravljač. Upravljač uvijek mora biti propisno montiran i ne smije se mijenjati. Nipošto nemojte pokretati uređaj dok je upravljač preklopljen.

Nikada nemojte pričvršćivati predmete na upravljač (npr. radnu odjeću).

Radite samo pri danjem svjetlu ili dobroj umjetnoj rasvjeti.

Ne radite s uređajem na kiši, nevremenu i posebice ako postoji opasnost od udara munje!

Zbog smanjene stabilnosti postoji povećana opasnost od nezgode. Treba raditi posebice oprezno da se ne biste poskliznuli. Ako je moguće, izbjegavajte uporabu uređaja na vlažnoj podlozi.

Ispušni plinovi:



Opasnost po život uslijed trovanja!

U slučaju mučnine, glavobolje, smetnji u vidu (npr. smanjivanje vidnog polja), slušnih smetnji, vrtoglavice, slabljenja sposobnosti koncentracije, odmah obustavite rad. Između ostalog, ovi simptomi mogu biti uzrokovani previsokom koncentracijom ispušnih plinova.



Uređaj proizvodi otrovne ispušne pare, čim je motor s unutarnjim izgaranjem uključen.

Ti plinovi sadrže otrovni ugljični monoksid, plin bez boje i mirisa, kao i ostale štetne tvari. Nikada nemojte pokretati motor s unutarnjim izgaranjem u zatvorenim ili slabo prozračenim prostorima.

Pokretanje:

Uređaj pokrećite s oprezom i slijedeći upute u poglavlju „Pokretanje uređaja“ (⇒ 11.). Pokretanje uređaja sukladno ovim uputama smanjuje opasnost od ozljeda.

Opasnost od ozljeda!

Ako pokretačko uže naglo trzne natrag, ruke se tako brzo povlače prema motoru s unutarnjim izgaranjem da korisnik ne stigne ispustiti pokretačko uže iz ruku. Ovaj trzaj može dovesti do lomova kostiju, nagnječenja i uganuća.

Prilikom pokretanja uvijek vodite računa da vam noge budu dovoljno udaljene od reznog alata.

Pri pokretanju uređaj ne smije biti nagnut.

Stremen voznog pogona ne smije se aktivirati prilikom pokretanja.

Nemojte pokretati motor s unutarnjim izgaranjem ako kanal za izbacivanje nije pokriven zaklopkom za izbacivanje, odnosno košarom za travu.

Rad na obroncima:

Na obroncima uvijek radite u poprečnom, nikada u uzdužnom smjeru. Ako korisnik prilikom košnje u uzdužnom smjeru izgubi kontrolu, uređaj kojim kosi mogao bi ga pregaziti.

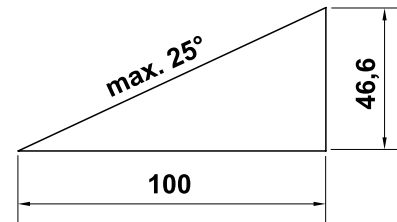
Budite osobito oprezni kad na obronku mijenjate smjer kretanja.

Na obroncima uvijek vodite računa o stabilnosti. Izbjegavajte rad s uređajem na previše strmim obroncima.

Iz sigurnosnih razloga uređaj ne smijete upotrebljavati na obroncima na kojima nagib iznosi više od 25° (46,6 %).

Opasnost od ozljeda!

Nagib od 25° odgovara vertikalnom usponu od 46,6 cm na horizontalnoj dužini od 100 cm.



Kako biste osigurali dostatno podmazivanje motora s unutarnjim izgaranjem, prilikom uporabe uređaja na obroncima dodatno treba poštivati podatke iz priloženih uputa za uporabu motora s unutarnjim izgaranjem.

Primjena:



Opasnost od ozljeda!

Ruke i noge nikada nemojte stavljati iznad ili ispod rotirajućih dijelova ili na njih.



Nemojte pokušavati pregledavati nož dok kosilica radi. Nikada nemojte otvarati zaklopku za izbacivanje i/ili skidati košaru za travu dok se nož za košnju okreće. Rotirajući nož bi vas mogao ozlijediti.

Vodite uređaj samo brzinom hoda – prilikom rada nipošto nemojte trčati. Prebrzo vođenje uređaja povećava opasnost od ozljeda zbog spoticanja, poskliznuća itd.

Budite osobito oprezni kad okrećete uređaj ili ga vućete prema sebi.

Opasnost od spoticanja!

Uređaj upotrebljavajte s posebnim oprezom kada radite u blizini padina, rubova terena, jama i nasipa. Posebno pazite da udaljenost od takvih opasnih mjesta bude dovoljno velika.

Predmeti sakriveni u tratinu (prskalice za travnjake, stupovi, ventili za vodu, temelji, električni vodovi itd.) moraju se zaobići. Nikada nemojte prelaziti preko takvih stranih predmeta.



Pazite na inercijski hod reznog alata nakon isključenja, čije zaustavljanje može potrajati i nekoliko sekundi.

Isključite motor s unutarnjim izgaranjem, pričekajte da se radni alat zaustavi i izvucite utikač svjeće

- kad napuštate uređaj, odnosno ostavljate ga bez nadzora,
- prije punjenja spremnika gorivom. Punite gorivo samo kad je motor s unutarnjim izgaranjem hladan.
Opasnost od požara!
- prije otpuštanja blokada ili uklanjanja začepljenja u kanalu za izbacivanje,
- prije podizanja i nošenja uređaja,
- prije transporta uređaja,
- prije provođenja radova na nožu za košnju,
- prije provjere ili čišćenja uređaja ili prije provođenja drugih radova na uređaju (npr. preklapanja upravljača),

- ako kosilica udari u strano tijelo ili ako počne neuobičajeno jako vibrirati. U tom slučaju provjerite uređaj, posebice rezu jedinicu (nož, vratilo noža, elemente za pričvršćenje noža) kako biste utvrdili ima li na njima oštećenja te provedite potrebne popravke prije ponovnog pokretanja uređaja i rada s uređajem.



Opasnost od ozljeda!

Jako vibriranje u pravilu je znak smetnje.

Kosilica se nipošto ne smije pokretati ako je koljenasto vratilo oštećeno ili svinuto, odnosno ako je nož za košnju oštećen ili svinut. Ako vam nedostaju potrebna znanja, prepustite potrebne popravke stručnjaku – STIHL preporučuje ovlaštenog STIHL trgovca.

Isključite motor s unutarnjim izgaranjem

- kad gurate uređaj od i do travnjaka na kojem ćete raditi,
- prije nego što ćete gurati uređaj po površini koja nije obrasla travom,
- prije otvaranja zaklopke za izbacivanje ili skidanja košare za travu,
- kad se uređaj mora nakrenuti radi transporta,
- prije namještanja visine reza.

4.7 Održavanje i popravci

Prije početka radova čišćenja, namještanja, popravaka i održavanja:

- Postavite uređaj na ravno i čvrsto tlo.
- isključite motor s unutarnjim izgaranjem i pričekajte da se ohladi.

- Izvucite utikač svjeće.



Pozor – opasnost od ozljeda!

Utikač svjeće držite dalje od svjeće, slučajno nastale iskre mogu dovesti do požara ili strujnog udara. Slučajni kontakti svjeće s utikačem svjeće mogu dovesti do neželjenog uključenja motora s unutarnjim izgaranjem.



Opasnost od ozljeda nožem za košnju!

Povlačenjem pokretačkog užeta započinje vrtnja radnog alata. Kad povlačite pokretačko užje, uvijek vodite računa o dovoljnoj udaljenosti od noževa za košnju (to posebice vrijedi za ruke i noge).

Ostavite uređaj da se ohladi, posebice prije obavljanja radova u području motora s unutarnjim izgaranjem, ispušnoj grani i ispušnom loncu. Mogu nastati temperature od 80°C i više. **Opasnost od opekline!**

Neposredan kontakt s motornim uljem može biti opasan, osim toga motorno ulje se ne smije proliti.

STIHL preporučuje da se punjenje motornog ulja odnosno zamjena motornog ulja prepusti ovlaštenom STIHL servisu.

Čišćenje:

Cijeli se uređaj mora temeljito očistiti nakon svake primjene. (⇒ 12.3)

Prije postavljanja u položaj za čišćenje ispraznite spremnik goriva (npr. radom dok se ne isprazni).

Očistite nataložene ostatke trave drvenim štapom. Očistite donji dio kosilice četkom i vodom.

Nikada nemojte koristiti visokotlačni čistač i prati uređaj pod tekućom vodom (npr. crijevom za zalijevanje vrta). Nemojte koristiti agresivna sredstva za čišćenje. Ona mogu oštetiti plastične i metalne dijelove, što može negativno utjecati na siguran rad uređaja STIHL.

Radi izbjegavanja opasnosti od požara, područje otvora zraka hlađenja, rebaraca hladnjaka i područje ispuha održavajte čistima od npr. trave, slame, mahovine, lišća ili iscurjele masti.

Radovi na održavanju:

Smiju se provoditi samo radovi održavanja opisani u ovim uputama za uporabu; sve ostale radove povjeriti ovlaštenom trgovcu.

Ako vam nedostaju potrebno znanje i potrebna pomoćna sredstva, obratite se **uvijek** svom ovlaštenom trgovcu. STIHL preporučuje obavljanje radova održavanja i popravaka samo od ovlaštenih STIHL trgovaca. Ovlašteni STIHL trgovci redovito se školuju i raspoložu tehničkim informacijama.

Koristite samo alate, pribor ili priključne uređaje koje je STIHL odobrio za ovaj uređaj ili tehnički ekvivalentne dijelove. U protivnom postoji opasnost od nesretnih slučajeva koje mogu rezultirati ozljedama ili štetom na uređaju. U slučaju pitanja obratite se ovlaštenom trgovcu.

STIHL originalni alati, pribor i rezervni dijelovi zbog svojih su svojstava optimalni za uređaj i zahtjeve korisnika. Originalni rezervni dijelovi STIHL mogu se prepoznati po broju rezervnog dijela STIHL, po natpisu STIHL i eventualno po oznaci rezervnog dijela STIHL. Na sitnim dijelovima znak može stajati i sam.

Radi sigurnosti, dijelove koji provode gorivo (vod goriva, slavina goriva, spremnik goriva, zatvarač spremnika, priključci itd.) stručna osoba treba redovito provjeravati na oštećenja i propusna mjesta te ih po potrebi treba zamijeniti (STIHL preporučuje ovlašteni STIHL servis).

Održavajte naljepnice s upozorenjima i napomenama uvijek čistima i čitljivima. Oštećene ili izgubljene naljepnice treba zamijeniti novim originalnim znakovima koje možete nabaviti kod ovlaštenog STIHL trgovca. Ako se neki dio zamjenjuje novim dijelom, pazite da novi dio sadrži iste naljepnice.

Radove na reznoj jedinici poduzimajte samo s debelim radnim rukavicama i uz najveći oprez.

Pazite da sve matice, svornjaci i vijci, a posebice vijak noža, budu čvrsto zategnuti kako bi za vrijeme rada uređaj bio siguran.

Redovito provjeravajte cijeli uređaj i košaru za travu, posebice prije skladištenja (npr. prije zimske pauze), kako biste utvrdili ima li na njima znakova istrošenosti i oštećenja. Iz sigurnosnih razloga odmah zamijenite istrošene ili oštećene dijelove, tako da uređaj uvijek bude siguran za rad.

Nikada nemojte mijenjati osnovne postavke motora s unutarnjim izgaranjem i pretjerivati s brojem okretaja.

Ako su zbog održavanja skinuti dijelovi ili zaštitne naprave, treba ih odmah i propisno ponovno ugraditi.

4.8 Skladištenje kod duljeg nekorištenja

Pustite motor s unutarnjim izgaranjem da se ohladi prije odlaganja uređaja u zatvorenom prostoru.

Uređaj čuvajte s ispražnjenim spremnikom i zalihom goriva u zatvorenoj i dobro prozračenoj prostoriji.

Osigurajte da je uređaj zaštićen od neovlaštene uporabe (npr. djeca).

Nikada nemojte skladištiti uređaj unutar zgrade s benzinom u spremniku. Benzinske pare koje nastaju mogu doći u dodir s otvorenim plamenom ili iskrom i zapaliti se.

Ako treba isprazniti spremnik, npr. radi stavljanja izvan uporabe prije zimske pauze, pražnjenje spremnika za gorivo trebalo bi uslijediti samo na otvorenom (npr. radom dok se ne isprazni).

Uređaj temeljito očistite prije skladištenja (npr. zimska pauza).

Uređaj skladištite samo sa izvučenim utikačem svječića.

Uređaj skladištite u pogonski sigurnom stanju.

Prije prekrivanja pričekajte da se uređaj potpuno ohladi.

4.9 Odlaganje

Otpadni proizvodi poput starog ulja ili goriva, rabljenih maziva, filtara, baterija i sličnih potrošnih dijelova mogu štetiti ljudima, životinjama i okolišu te se moraju stoga stručno odložiti.

Za informacije o pravilnom odlaganju proizvoda u otpad obratite se centru za reciklažu ili svom ovlaštenom serviseru. STIHL preporučuje ovlaštenog STIHL trgovca.

Uređaj koji je odradio svoj radni vijek mora biti propisno zbrinut. Onesposobite uređaj prije zbrinjavanja. Radi sprječavanja nezgoda potrebno je demontirati kabel paljenja, isprazniti spremnik i ispustiti motorno ulje.

Opasnost od ozljeda nožem za košnju!
Nemojte kosilicu ostavljati bez nadzora, čak ni ako je stara ili neupotreblija. Vodite računa da se uređaj i, posebice, nož za košnju moraju čuvati izvan dohvata djece.

5. Opis simbola



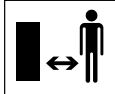
Pozor!

Prije pokretanja uređaja pročitajte upute za uporabu.



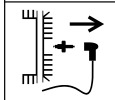
Opasnost od ozljeda!

Udaljite treće osobe iz opasnog područja.



Opasnost od ozljeda!

Prije radova na reznom alatu, radova na održavanju i čišćenja izvucite utikač svjeće.



Opasnost od ozljeda!

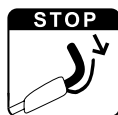
Ruke i noge držite podalje od noževa!

Nakon isključivanja rezni alat ima inercijski hod koji traje nekoliko sekundi (kočnica motora s unutarnjim izgaranjem/kočnica noža).



RM 443, RM 443 T, RM 448 PT, RM 448 T, RM 448 TX:

Pokretanje motora s unutarnjim izgaranjem



RM 443, RM 443 T, RM 448 PT, RM 448 T, RM 448 TX:

Gašenje motora s unutarnjim izgaranjem



RM 443 T, RM 448 PT, RM 448 T, RM 448 TX:
Uključite vozni pogon



RM 448 PC, RM 448 TC, RM 448 VC:

Pokretanje motora s unutarnjim izgaranjem



RM 448 PC, RM 448 TC, RM 448 VC:

Gašenje motora s unutarnjim izgaranjem



RM 448 PC, RM 448 TC, RM 448 VC:
Uključite vozni pogon



RM 448 VC:

Namjestite brzinu vožnje. (⇒ 11.3)



6. Opseg isporuke



Poz.	Opis	Kom.
A	Osnovni uređaj	1
B	Gornji dio košare za travu	1
C	Donji dio košare za travu	1
D	Sprežnjak	2
-	Upute za uporabu	1
-	Upute za uporabu Motor s unutarnjim sagorijevanjem	1

RM 443, RM 443 T, RM 448 PT, RM 448 T, RM 448 TX:

Poz.	Opis	Kom.
E	Brzi pritezač	2
F	Vijak	2
G	Vodilica kabela	2
H	Zaštitna čahura	2

RM 448 PC, RM 448 TC, RM 448 VC:

Poz.	Opis	Kom.
I	Čahura	1

Poz.	Opis	Kom.
J	Vijak	1
K	Podloška	2
L	Matica	1

7. Priprema uređaja za rad

7.1 Općenito



Opasnost od ozljeda

Obratite pozornost na sigurnosne napomene u poglavlju „Za vašu sigurnost“ (⇒ 4.).

- Za sve opisane radove postavite uređaj na vodoravnu, ravnu i čvrstu podlogu.

7.2 Montaža mono upravljača (RM 448 PC, RM 448 TC, RM 448 VC)



- **1** Čahuru (I) umetnite u provrt na upravljaču (1).
- **2** Podloške (K) s ispuščenjem prema unutra natakните na čahuru upravljača (1).
- **3** Uhvatite čahuru (I) i podloške (K) i zajedno s upravljačem (1) uvedite u držač na konzoli upravljača (2).
- **4** Natakните vijak (J) iznutra prema van kroz provrte na upravljaču (1) i na konzolu upravljača (2).
- **5** Stavite maticu (L).
- **6** Stegnite vijak (J). Moment pritezanja: **18 - 22 Nm**

Montaža užadi:

- RM 448 PC, RM 448 TC:
Uže za zaustavljanje motora (3) i uže voznog pogona (4) umetnite kako je prikazano u vodilice užeta (6) na upravljačkoj konzoli i na upravljaču.
RM 448 VC:
Uže za zaustavljanje motora (3), uže voznog pogona (4) i uže Vario-pogona (5) umetnite kako je prikazano u vodilice užeta (6) na upravljačkoj konzoli i na upravljaču.

7.3 Montaža dvostrukog upravljača (RM 443, RM 443 T, RM 448 PT, RM 448 T, RM 448 TX)



- Nasadite zaštitne čahure (H) na oba donja dijela upravljača (1).
- Umetnite vijak (F) kroz provrt vodilice kabela (G).
- Držite gornji dio upravljača (2) na donjem dijelu upravljača (1).
- Lijeva strana:
Objesite vodilicu užeta (G) na uže za zaustavljanje motora (3).
- Desna strana (RM 443 T, RM 448 PT, RM 448 T, RM 448 TX):
Objesite vodilicu užeta (G) na uže voznog pogona (4).
- Na obje strane postavite vijak (F) iznutra prema van kroz provrte.
- Brzi pritezač (E) zavrnite na vijcima (F) (treba viriti van otprilike jedan navoj vijka) i preklonite prema gore.

- Provjera pravilne montaže:
Brzi pritezači (E) moraju biti stegnuti toliko da usko naliježu na upravljač i da gornji dio upravljača bude čvrsto fiksiran u donjem dijelu upravljača. Ako upravljač nije čvrsto montiran ili brzi pritezači nisu ispravno dosjeli, otvorite brze pritezače i okrećite ih dok čvrsto ne dosjednu.

7.4 Sastavljanje košare za travu



- Nasadite gornji dio košare za travu (B) na donji dio košare za travu (C). Pripazite na pravilan položaj u vodilicama.
- Pritisnite svornjake (D) iznutra kroz predviđene otvore.
- Laganim pritiskom uklopите gornji dio košare za travu (B) u donji dio košare za travu.
- Objesite košaru za travu (⇒ 8.3).

7.5 Ovješanje i skidanje pokretačkog užeta



Ovješanje

- Izvucite utikač svjeće iz motora s unutarnjim izgaranjem.
- Pritisnite stremen za zaustavljanje motora (1) prema upravljaču i držite ga.
- Pokretačko uže (2) polako izvucite.
- Oslobodite stremen za zaustavljanje motora (1) i ovjesite pokretačko uže (2) u vodilicu užeta (3).
- Natakните utikač svjeće.

Skidanje

- Izvucite utikač svjeće iz motora s unutarnjim izgaranjem.

- Skinite pokretačko uže (2) od vodilice užeta (3).

7.6 Gorivo i motorno ulje



Izbjegavajte štete na uređaju!

Prije prvog pokretanja motor treba napuniti motornim uljem. Za punjenje motornim uljem tj. gorivom upotrijebite odgovarajuće pomagalo (npr. lijevak).

Motorno ulje:

Informacije o odobrenom motornom ulju i količini punjenja ulja pronaći ćete u uputama za uporabu motora s unutarnjim izgaranjem. Redovito provodite kontrolu razine ulja (pogledajte upute za uporabu motora s unutarnjim izgaranjem). Treba izbjegavati da razina ulja bude ispod ili iznad propisane razine.

Zatvarač spremnika za ulje propisno čvrsto pritegnite prije puštanja u rad motora s unutarnjim izgaranjem.

Gorivo:

Preporuka:

svježe gorivo priznate marke, bezolovni benzin.

Podatke o kvaliteti goriva (broj oktana) možete naći u uputama za uporabu motora s unutarnjim izgaranjem.



8. Upravljački elementi

8.1 Namještanje mono upravljača (RM 448 PC, RM 448 TC, RM 448 VC)



Opasnost od uklještenja!

Prilikom aktiviranja uklopne poluge jednom rukom stalno držite gornji dio upravljača na najvišem mjestu. Nikada ne umećite prste između upravljača i konzole (iznad i ispod uklopne poluge).

Preklapanje upravljača:

Transportni položaj (za čišćenje uređaja, transport i čuvanje u malo prostora):

- Skinite pokretačko uže s vodilice užeta. (⇒ 7.5)
- Jednom rukom držite gornji dio upravljača (2) na najvišem mjestu i lagano podignite (rasteretite).
- Pritisnite uklopnu polugu (1) prema dolje i zadržite.
- Preklopite upravljač (2) prema naprijed.

Radni položaj (za guranje uređaja):

- Upravljač (2) preklopite unazad i pazite da se upravljač potpuno uklopi.
- Ovjesite pokretačko uže na vodilicu užeta. (⇒ 7.5)

Podешavanje visine:

Visina mono upravljača može se namjestiti u 2 stupnja:

- Jednom rukom držite gornji dio upravljača (2) na najvišem mjestu i lagano podignite (rasteretite).
- Pritisnite uklopnu polugu (1) prema dolje i zadržite.
- Postavite upravljač (2) u željeni položaj.
- Pustite uklopnu polugu (1) i pazite na to da se upravljač potpuno uklopi.

8.2 Preklopite dvostruki upravljač (RM 443, RM 443 T, RM 448 PT, RM 448 T, RM 448 TX)



Opasnost od uklještenja!

Otpuštanjem brzog zatvarača može se preklopiti gornji dio upravljača. Stoga tijekom otvaranja brzih zatvarača (2) stalno držite gornji dio upravljača jednom rukom na najvišem mjestu.

Transportni položaj (za čišćenje uređaja, transport i čuvanje u malo prostora):

- Ovjesite pokretačko uže na vodilici užeta. (⇒ 7.5)
- Otvorite brzi pritezač (1) – preklopite prema dolje – i gornji dio upravljača (2) preklopite prema naprijed.

Radni položaj (za guranje uređaja):

- Otklopite gornji dio upravljača (2) prema natrag i držite ga jednom rukom.
- Zatvorite brzi pritezač (1) (preklopiti prema gore).
- Ovjesite pokretačko uže na vodilici užeta. (⇒ 7.5)

8.3 Košara za travu



Vješanje:

- Otvorite i držite zaklopku za izbacivanje (1).
- Objesite košaru za travu (2) pridržnim elementima u prihvatima (3) na poleđini uređaja.
- Zatvorite zaklopku za izbacivanje (1).

Skidanje:

- Otvorite i držite zaklopku za izbacivanje (1).
- Podignite košaru za travu (2) i skinite je prema natrag.
- Zatvorite zaklopku za izbacivanje (1).

8.4 Centralno podešavanje visine reza



Moguće je namjestiti **6** različitih visina reza.

Stupanj **1** = 25 mm

Stupanj **6** = 75 mm

Podešavanje visine reza:

- Obuhvatite dršku (1), povucite polugu (2) prema gore i držite je.
- Podesite željenu visinu reza podizanjem i spuštanjem uređaja. Trenutno odabrana visina reza može se očitati na pokazivaču visine reza (3) pomoću oznake (4).
- Otpustite uklopnu polugu (2) i pustite je da uskoči.

8.5 Pokazivač razine napunjenosti



Na gornjem dijelu košare za travu nalazi se pokazivač razine napunjenosti (1).

Zračna struja koja nastaje rotacijom noža za košnju i koja omogućava punjenje košare za travu, podiže pokazivač razine napunjenosti (2):

Košara za travu puni se pokošenom travom.

Kako se košara puni travom, tako se ta zračna struja smanjuje i spušta se pokazivač razine napunjenosti (3):

- Ispraznite punu košaru za travu (⇒ 11.4).

9. Sigurnosne naprave

Uređaj je opremljen brojnim sigurnosnim napravama radi sigurne upotrebe i zaštite od nestručnog rukovanja.



Opasnost od ozljeda!

Ako dođe do kvara na određenoj sigurnosnoj napravi, uređaj se ne smije stavljati u pogon. Obratite se ovlaštenom trgovcu, STIHL preporučuje ovlaštenog STIHL trgovca.

9.1 Zaštitne naprave

Kosilica je opremljena zaštitnim napravama koje sprječavaju nehотиčni kontakt s nožem za košnju i izbačenom pokošenom travom.

Tu se ubrajaju kućište, zaklopka za izbacivanje, košara za travu i pravilno montiran upravljač.

9.2 Stremen za zaustavljanje motora

Kosilica je opremljena napravom za zaustavljanje motora.

Tijekom rada motor s unutarnjim izgaranjem gasi se otpuštanjem stremena za zaustavljanje motora.

Motor s unutarnjim izgaranjem i nož zaustavljaju se u roku od 3 sekunde.



Opasnost od ozljeda!

Ako zaustavno vrijeme noža traje dulje, uređaj više nemojte upotrebljavati i odnesite ga ovlaštenom trgovcu.

Mjerenje zaustavnog vremena

Nakon pokretanja motora s unutarnjim izgaranjem nož se okreće i čuje se kao zvuk vjetra. Zaustavno vrijeme odgovara trajanju zvuka vjetra nakon gašenja motora s unutarnjim izgaranjem, te se može mjeriti kronometrom, tzv. štopericom.

10. Napomene uz rad

Lijepu i gustu travu dobivate

- ako uvijek kosite na maloj brzini.
- ako često kosite travnjak i održavate kratku travu.
- ako u vrućoj i suhoj klimi ne kosite travu prekratko, jer je inače Sunce prži i ona postaje neugledna.
- ako kosite oštirim noževima za košnju – stoga redovito oštrite noževe (ovlašteni servis).
- ako redovito mijenjate smjer košnje.

10.1 Radno područje rukovatelja



- Prilikom pokretanja i tijekom rada motora s unutarnjim izgaranjem rukovatelj se iz sigurnosnih razloga uvijek mora nalaziti u radnom području iza upravljača. Uvijek poštujujte sigurnu udaljenost koju nameće upravljač.
- Kosilicom smije rukovati isključivo jedna osoba; drugi se moraju držati podalje od opasnog područja. (⇒ 4.)

11. Pokretanje uređaja

11.1 Pokretanje motora s unutarnjim izgaranjem



Nemojte pokretati motor s unutarnjim izgaranjem u visokoj travi. U slučaju otežanog pokretanja odaberite višu visinu reza.

Nakon pokretanja motor s unutarnjim izgaranjem radi s optimalnim radnim brojem okretaja zahvaljujući fiksno podešenom gasu.

- Pritisnite stremen za zaustavljanje motora (1) prema upravljaču i držite ga.
- Polako izvucite pokretačko uže (2) do kompresijskog otpora. Zatim snažno i brzo povucite za jednu duljinu ruke. Polako vratite pokretačko uže (2) tako da se opet može namotati.
- Ponavljajte postupak sve dok se motor s unutarnjim izgaranjem ne pokrene.

11.2 Gašenje motora s unutarnjim izgaranjem



- Ugasite motor s unutarnjim izgaranjem puštanjem stremena za zaustavljanje motora (1). Motor s unutarnjim izgaranjem i nož za košnju zaustavljaju se nakon kratkog zaustavnog vremena.

11.3 Vozni pogon (RM 443 T, RM 448 PC, RM 448 PT, RM 448 T, RM 448 TX, RM 448 TC, RM 448 VC)



Kosilice RM 443 T, RM 448 PC, RM 448 PT, RM 448 T, RM 448 TX, RM 448 TC i RM 448 VC opremljene su voznim pogonom.

RM 443 T, RM 448 PC, RM 448 PT, RM 448 T, RM 448 TX, RM 448 TC:

Jedna pogonska brzina prema naprijed (mjenjač s jednom brzinom)

RM 448 VC:

Tijekom vožnje kontinuirano prilagodljiva brzina prema naprijed (Vario-mjenjač)

Uključivanje voznog pogona:

- Pokrenite motor s unutarnjim izgaranjem. (⇒ 11.1)
- Povucite stremen za uključivanje/isključivanje voznog pogona (1) prema upravljaču i držite ga. Vozni pogon se uključuje i kosilica se počinje kretati prema naprijed.



Izbjegnite štete na uređaju!

Stremen za uključivanje/isključivanje voznog pogona mora uvijek biti potpuno pritisnut (do graničnika) kako bi se izbjegle posljedične štete na mjenjaču.

Namještanje pogonske brzine (RM 448 VC):



Izbjegnite štete na uređaju!

Polugu Vario-pogona (2) aktivirajte samo tijekom rada motora s unutarnjim izgaranjem.

- Povećanje brzine vožnje: Polugu Vario-pogona (2) tijekom vožnje pritisnite prema naprijed.
- Smanjivanje brzine vožnje: Polugu Vario-pogona (2) tijekom vožnje povucite prema natrag.



Isključivanje voznog pogona:

- Pustite stremen za uključivanje/isključivanje voznog pogona (1). Vozni pogon se isključuje i kosilica se zaustavlja. Motor s unutarnjim izgaranjem radi i dalje.

11.4 Pražnjenje košare za travu



Opasnost od ozljeda!

Iz sigurnosnih razloga ugasisite motor s unutarnjim izgaranjem prije skidanja košare za travu.

- Skinite košaru za travu. (⇒ 8.3)

- Otvorite košaru za travu na zapornoj ušici (1). Preklopite gornji dio košare za travu (2) i držite ga. Preklopite košaru za travu unatrag i uklonite odrezane biljne ostatke.
- Zatvorite košaru za travu.
- Objesite košaru za travu. (⇒ 8.3)

12. Održavanje

12.1 Općenito



Opasnost od ozljeda!

Obratite pozornost na sigurnosne napomene u poglavlju „Za vašu sigurnost“ (⇒ 4.).

Godišnje održavanje koje obavlja ovlašteni trgovac:

Kosilicu bi jednom godišnje trebao provjeriti ovlašteni serviser. STIHL preporučuje ovlaštenog STIHL trgovca.

12.2 Motor s unutarnjim izgaranjem

Interval održavanja:

Pogledajte upute za uporabu motora s unutarnjim izgaranjem.

Opće napomene:

Obratite pažnju na napomene za rukovanje i održavanje koje možete naći u priloženim uputama za uporabu motora s unutarnjim izgaranjem.

Za dugi vijek uporabe osobito su važni dostatna razina ulja te redovita zamjena filtera ulja i zraka.

Preporučene intervale za zamjenu ulja te informacije o motornom ulju i potrebnoj količini također možete pronaći u uputama za uporabu motora s unutarnjim izgaranjem.

Rashladna rebra moraju se stalno održavati čistima kako bi se osiguralo dovoljno hlađenje motora s unutarnjim izgaranjem.

12.3 Čišćenje uređaja

Interval održavanja: Nakon svake uporabe



Temeljitom njegom uređaj se štiti od oštećenja i produžuje se vijek trajanja.



Opasnost od ozljeda!

Ugasite motor s unutarnjim izgaranjem, izvucite utikač svjeće i ostavite uređaj da se ohladi. Prije postavljanja uređaja u položaj za čišćenje ispraznite spremnik goriva (pustite uređaj da radi dok se spremnik ne isprazni). Uređaj stabilno stoji u položaju za čišćenje samo kada je zaklopka za izbacivanje otvorena.

- Odaberite najviši stupanj rezanja. (⇒ 8.4)
- Skinite košaru za travu. (⇒ 8.3)

Položaj za čišćenje RM 443, RM 443 T, RM 448 PT, RM 448 T, RM 448 TX:

- Gornji dio upravljača (1) držite i otvorite brzi pritezač– preklopite prema dolje.
- Gornji dio upravljača (1) rasklopite prema nazad.
- Otvorite zaklopku za izbacivanje (2) i držite je.

- Podignite uređaj na prednjoj strani i postavite ga u položaj za čišćenje kao na slici.

Položaj za čišćenje RM 448 PC, RM 448 TC, RM 448 VC:

- Za podizanje stanite s desne strane uređaja.
- Gornji dio upravljača postavite u najdublji položaj (do graničnika, uklopna poluga u tom položaju nije uklopljena). (⇒ 8.2)
- Desnom rukom otvorite i držite zaklopku za izbacivanje (2).
- Lijevom rukom obuhvatite konzolu kako je prikazano i pridržite zaklopku za izbacivanje. Istodobno palčevima pritisnite i držite uklopnu polugu (3).
- Držite uređaj desnom rukom na prednjoj dršci i polagano ga naginjite unatrag dok se upravljač ne nađe na tlu kako je prikazano.
- Otpustite zaklopku za izbacivanje (2) i uklopnu polugu (3) te provjerite sigurno stanje uređaja.

Napomene uz čišćenje:

- Nečistoće uklonite četkom ili tkaninom s malo vode. Posebno očistite nož za košnju. Nipošto nemojte usmjeravati mlaz vode na dijelove motora s unutarnjim izgaranjem, brtve i ležajeve.
- Drvenim štapom očistite nataložene ostatke trave.
- Po potrebi upotrijebite specijalno sredstvo za čišćenje (npr. specijalno sredstvo za čišćenje tvrtke STIHL).

12.4 Provjera istrošenosti noža za košnju



Interval održavanja: Prije svake upotrebe



Opasnost od ozljeda!

Noževi se različito troše, ovisno o mjestu i trajanju uporabe. Ako se uređaj koristi na pješčanom tlu ili često u suhim uvjetima, tada je nož više izložen opterećenju i troši se brže od prosjeka. Istrošeni nož može se odlomiti i izazvati teške ozljede. Stoga se obavezno treba pridržavati uputa za održavanje noža.

- Podignite kosilicu u položaj za čišćenje. (⇒ 12.3)
- Očistite nož za košnju (1).
- Postavite ravnalo (1) na prednji rub noža i izmjerite koliko se nož smanjio brušenjem **A**.
- Širinu noža **B** izmjerite pomičnom mjerkom (2).
- Provjerite debljinu noža **C** na barem 5 mjesta pomoću pomične mjerke (2). Minimalna debljina svakako mora biti prisutna i u području krila noža.

Granice istrošenosti:

Smanjenje noža uzrokovano brušenjem **A**: < 15 mm

Širina noža **B**: > 39 mm

Debljina noža **C**: > 2 mm

Nož je potrebno zamijeniti

- ako je oštećen ili istrošen (urezi, napuknuća),

- kada se na jednom ili više mjesta dostignu izmjerene vrijednosti odnosno ako se one nalaze izvan dopuštenih granica.

Ako je na kosilici montiran višenamjenski nož koji je dostupan u programu dodatne opreme, vrijede druge granice istrošenosti (vidi upute za uporabu dodatne opreme).

12.5 Demontaža i ugradnja noža za košnju



Demontaža:

- Odgovarajućim komadom drveta (1) poduprite nož za košnju (2).
- Odvrtite vijak noža (3). Skinite nož za košnju (2), vijak noža (3) i sigurnosnu podlošku (4).

Montaža:



Opasnost od ozljeda!

Nož za košnju (2) smije se montirati samo kako je prikazano na slici. Spojnice (7) moraju biti usmjerene prema dolje, a krilca noževa s uzdignutim rubovima prema gore.

Potrebno je točno se pridržavati propisanog momenta pritezanja vijaka za noževe jer o tome ovisi sigurno pričvršćenje reznog alata. Dodatno osigurajte vijak noža (3) sredstvom za osiguranje vijaka **Loctite 243**.

Sigurnosnu podlošku (4) zamijenite prilikom svake montaže noževa, a vijak noža (3) prilikom svake zamjene noža.

- Očistite kontaktnu površinu i čahuru noža.

- Nož za košnju (2) montirajte s uzdignutim krilcima prema gore (prema uređaju). Pridržni elementi (5) na čahuri noža moraju se nalaziti u provrtima (6) noža za košnju.
- Odgovarajućim komadom drveta (1) poduprite nož za košnju (2).
- Vijak noža (3) uvrnite s novom sigurnosnom podloškom (4) i zategnite. Moment pritezanja: **60 - 65 Nm**

12.6 Oštrenje noža za košnju

STIHL preporučuje da oštrenje noža za košnju prepustite stručnjaku. Pogrešno nabrušeni nož (pogrešan kut oštrenja, neuravnoteženost itd.) negativno utječe na funkciju uređaja.

Uputa za oštrenje:

- Demontirajte nož za košnju (⇒ 12.5).
- Hladite nož za košnju pri brušenju, npr. vodom. Ne smije se pojaviti plava boja jer se inače smanjuje sposobnost rezanja.
- Ravnomjerno oštriti nož kako bi se izbjegle vibracije zbog neravnoteže.
- Poštujte kut oštrenja od 30°.
- Nakon oštrenja, po potrebi uklonite reznu ivicu na rubu oštrice finim brusnim papirom.
- Obratite pozornost na granicu istrošenosti. (⇒ 12.4)

12.7 Skladištenje i mirovanje (zimski stanka)

Skladištite uređaj u suhoj, zatvorenoj prostoriji u kojoj nema puno prašine. Vodite računa da se nalazi izvan dohvata djece.

Prije skladištenja otklonite eventualne smetnje. Uređaj mora uvijek biti u stanju sigurnom za rad.

Prije skladištenja isпустite gorivo iz spremnika za gorivo i ispraznite rasplinjač (npr. radom u praznom hodu).

Kod dužeg perioda neuporabe uređaja (zimski stanka) dodatno treba obratiti pozornost na sljedeće točke:

- Temeljito očistite sve vanjske dijelove uređaja.
- Dobro nauljite, odn. namastite sve pokretne dijelove.
- Odvrnite svjećicu (pogledajte upute za uporabu motora s unutarnjim izgaranjem) i kroz otvor za svjećicu ulijte oko 3 cm³ motornog ulja u motor s unutarnjim izgaranjem. Nekoliko puta provrtite motor s unutarnjim izgaranjem bez svjećice (povucite pokretačko uže).



Opasnost od požara!

Zbog opasnosti od zapaljenja udaljite utikač svjećice od otvora za svjećicu.

- Ponovno uvrnite svjećicu (pogledajte upute za uporabu motora s unutarnjim izgaranjem).
- Provedite zamjenu ulja (pogledajte upute za uporabu motora s unutarnjim izgaranjem).
- Motor s unutarnjim izgaranjem pokriti i uređaj pohraniti u normalnom položaju.

13. Transport

13.1 Transport



Opasnost od ozljeda!

Prije transporta obratite pozornost na poglavlje „Za vašu sigurnost“. (⇒ 4.)

Kod transporta uvijek obucite odgovarajuću zaštitnu odjeću (zaštitne cipele, čvrste rukavice). Prije podizanja, odn. transporta uvijek izvucite utikač svjećice. STIHL iz sigurnosnih razloga preporučuje da se uređaj podiže tj. nosi samo uz pomoć druge osobe. Prije podizanja obratite pozornost na težinu navedenu u poglavlju „Tehnički podaci“.

Nošenje uređaja

- Dvije osobe:
Uređaj podižete isključivo na prednjoj drški (1) i na upravljaču (3). Uvijek pazite da dijelovi tijela, posebice stopala i noge, budu dovoljno udaljeni od noža za košnju.
- Jedna osoba:
Uređaj nosite jednom rukom na sredini gornje drške (2), a drugom rukom podižite odnosno nosite za donju dršku (1).

Vežanje uređaja

- Osigurajte uređaj na utovarnoj površini odgovarajućim pričvrstnim sredstvima.
- Pričvrstite užad odnosno remenje na označenim točkama (4).

14. Zaštita okoliša



Pokošena trava ne baca se u otpad nego se kompostira.

Pakiranje, uređaj i dodatni pribor proizvedeni su od reciklirajućih materijala i treba ih u skladu s time odložiti.

Razdvojeno, ekološko odlaganje ostataka materijala potiče ponovno korištenje sirovina. Iz tog se razloga uređaj odlaže na odgovarajući način nakon isteka uobičajenog vijeka trajanja. Kod odlaganja obratite pozornost na upute u poglavlju „Odlaganje“ (⇒ 4.9).

Za informacije o pravilnom odlaganju bačenih proizvoda obratite se svom centru za recikliranje ili svom ovlaštenom trgovcu.

15. Minimaliziranje trošenja i izbjegavanje šteta

Važne napomene za održavanje i njegu skupine proizvoda

Benzinska kosilica (STIHL RM)

Tvrtka STIHL ne preuzima odgovornost za materijalne štete i štete nanesene osobama koje su nastale zbog nepoštivanja naputaka u uputama za rukovanje, posebice u vezi sa sigurnošću, rukovanjem i održavanjem ili zbog uporabe neodobrenih dogradnih ili rezervnih dijelova.

Molimo vas da svakako obratite pozornost na sljedeće važne napomene kako biste izbjegli oštećenja i pretjerano trošenje svojeg uređaja STIHL:

1. Potrošni dijelovi

Neki dijelovi uređaja STIHL podliježu uobičajenom trošenju čak i pri pravilnoj uporabi te se, ovisno o načinu i duljini uporabe, moraju pravodobno zamijeniti.

Između ostalog, u to se ubrajaju :

- Nož za košnju
- košara za travu
- Klinasti remen (RM 443 T, RM 448 PC, RM 448 PT, RM 448 T, RM 448 TC, RM 448 TX, RM 448 VC)

2. Pridržavanje specifikacija navedenih u ovim uputama za uporabu

Korištenje, održavanje i skladištenje uređaja STIHL morate dosljedno provoditi kako je opisano u ovim uputama za uporabu. Za bilo kakvu štetu koja je nastala uslijed nepoštivanja sigurnosnih mjera te napomena za rukovanje i održavanje odgovornost snosi sam korisnik.

To se osobito odnosi na:

- izmjene na proizvodu koje STIHL nije odobrio.
- uporabu pogonskih tvari koje STIHL nije odobrio (za maziva, benzin i motor s unutarnjim izgaranjem pogledajte specifikacije proizvođača).
- uporabu alata ili pribora koji nije dozvoljen, prikladan za uređaj ili je loš po kvaliteti.
- neprimjerenu, odnosno neodgovarajuću uporabu proizvoda.
- uporabu proizvoda u sportske ili natjecateljske svrhe.
- posljedične štete nastale uporabom proizvoda s neispravnim dijelovima.

3. Radovi na održavanju

Redovito provodite sve radove navedene u odlomku „Održavanje“.

Ako korisnik ne može sam obaviti radove na održavanju, treba se obratiti ovlaštenom trgovcu.

STIHL preporučuje obavljanje radova održavanja i popravaka samo kod ovlaštenih STIHL trgovaca.

Ovlašteni STIHL trgovci redovito se školuju i raspoložu tehničkim informacijama.

Nepridržavanje navedenih mjera može prouzročiti štete za koje, u tom slučaju, odgovornost snosi sam korisnik.

Između ostalog, u to se ubrajaju:

- korozija i druga oštećenja koja su nastala zbog neodgovarajućeg skladištenja uređaja.
- štete na uređaju uslijed uporabe rezervnih dijelova slabije kvalitete.
- štete nastale kao posljedica nepravodobnog ili nedovoljnog održavanja, odnosno štete nastale zbog održavanja ili popravaka koji nisu obavljani u ovlaštenim servisnim radionicama.

16. Uobičajeni rezervni dijelovi

Nož za košnju RM 443, RM 443 T:

6338 702 0100

Nož za košnju RM 448 PC, RM 448 PT, RM 448 T, RM 448 TC, RM 448 TX, RM 448 VC:

6358 702 0100

Vijak noža:

9008 319 9028

Sigurnosna podloška:

0000 702 6600



Pričvrtni elementi noža za košnju (npr. vijak noža) moraju se zamijeniti prilikom zamjene, odnosno montaže noža. Rezervni dijelovi mogu se nabaviti kod ovlaštenog STIHL trgovca.

17. EU izjava o usklađenosti

17.1 Benzinska kosilica (STIHL RM)

STIHL Tirol GmbH
Hans Peter Stihl-Straße 5
6336 Langkampfen
Austrija

izjavljujemo uz punu odgovornost da stroj

Ručno vođena kosilica s motorom s unutarnjim izgaranjem (STIHL RM)

Robna marka: STIHL
Serijska oznaka: 6338
Vrsta: RM 443.0
RM 443.0 T

Serijska oznaka: 6358
Vrsta: RM 448.0 PC
RM 448.0 PT
RM 448.0 T
RM 448.0 TC
RM 448.0 TX
RM 448.0 VC

Ispunjava sljedeće direktive EZ-a:
2011/65/EU, 2000/14/EC, 2014/30/EU,
2006/42/EC

Proizvod je razvijen u skladu sa sljedećim
normama:

EN ISO 5395-1, EN ISO 5395-2, EN
14982

Za razvoj i proizvodnju proizvoda vrijede
verzije normi koje su na snazi na dan
proizvodnje.

Primijenjeni postupak procjene
usklađenosti:

Dodatak VIII (2000/14/EC)

Naziv i adresa prijavljenog tijela:

TÜV Rheinland LGA Products GmbH
Tillystraße 2
D-90431 Nürnberg

Izrada i pohrana tehničke dokumentacije:
Sven Zimmermann
STIHL Tirol GmbH

Godina proizvodnje i broj stroja navedeni
su na natpisnoj pločici uređaja.

Izmjerena razina zvučne snage:

RM 443.0	93,0 dB(A)
RM 443.0 T	93,0 dB(A)
RM 448.0 PC	95,3 dB(A)
RM 448.0 PT	95,3 dB(A)
RM 448.0 T	95,7 dB(A)
RM 448.0 TC	95,7 dB(A)
RM 448.0 TX	95,3 dB(A)
RM 448.0 VC	95,3 dB(A)

Garantirana razina zvučne snage:

RM 443.0	94 dB(A)
RM 443.0 T	94 dB(A)
RM 448.0 PC	96 dB(A)
RM 448.0 PT	96 dB(A)
RM 448.0 T	96 dB(A)

Garantirana razina zvučne snage:

RM 448.0 TC	96 dB(A)
RM 448.0 TX	96 dB(A)
RM 448.0 VC	96 dB(A)

Langkampfen,
2019-01-02 (GGGG-MM-DD)

STIHL Tirol GmbH

zastupa



Sven Zimmermann

Voditelj Odjela konstrukcije

17.2 Servisa - Rezervni dijelovi

STIHL Tirol GmbH obvezuje se da će
preko svog uvoznika opskrbljivati tržište
rezervnim dijelovima i servisom sljedećih 7
godina. Uvoznik je trenutno
UNIKOMERC - UVOZ d.o.o.

17.3 Adresa glavne uprave tvrtke STIHL

ANDREAS STIHL AG & Co. KG
Postfach 1771
D-71301 Waiblingen

17.4 Adrese distributera STIHL

NJEMAČKA

STIHL Vertriebszentrale AG & Co. KG
Robert-Bosch-Straße 13
64807 Dieburg
Telefon: +49 6071 3055358

AUSTRIJA

STIHL Ges.m.b.H.
Fachmarktstraße 7
2334 Vösendorf
Telefon: +43 1 86596370

ŠVICARSKA

STIHL Vertriebs AG
Isenrietstraße 4
8617 Mönchaltorf
Telefon: +41 44 9493030

ČEŠKA REPUBLIKA

Andreas STIHL, spol. s r.o.
Chrlická 753
664 42 Modřice

17.5 Adrese uvoznika STIHL

BOSNA I HERCEGOVINA

UNIKOMERC d. o. o.
Bišće polje bb
88000 Mostar
Telefon: +387 36 352560
Faks: +387 36 350536

HRVATSKA

UNIKOMERC - UVOZ d.o.o.
Sjedište:
Amruševa 10, 10000 Zagreb
Prodaja:
Ulica Kneza Ljudevita Posavskog 56,
10410 Velika Gorica
Telefon: +385 1 6370010
Faks: +385 1 6221569

TURSKA

SADAL TARIM MAKINALARI DIŞ
TİCARET A.Ş.
Alsancak Sokak, No:10 I-6 Özel Parsel
34956 Tuzla, İstanbul
Telefon: +90 216 394 00 40
Faks: +90 216 394 00 44

18. Tehnički podaci

**RM 443.0, RM 443.0 T, RM 448.0 PC,
RM 448.0 PT, RM 448.0 T, RM 448.0 TC,
RM 448.0 TX, RM 448.0 VC:**

Motor s unutarnjim izgaranjem, izvedba 4--taktni motor s unutarnjim izgaranjem

Naprava za pokretanje Pokretanje užetom

Rezna naprava Ravni nož

Pogon ravnog noža trajni

Moment pritezanja vijka noža 60 - 65 Nm

Sigurnosna naprava Zaustavljanje motora

Promjer prednjeg kotača 180 mm

Promjer stražnjeg kotača 200 mm

Zapremina košare za travu 55 l

Visina reza 25 - 75 mm

RM 443.0, RM 443.0 T:

Serijska oznaka 6338

Širina reza: 41 cm

RM 443.0:

Motor s unutarnjim izgaranjem: Briggs & Stratton, Series

550 EX OHV RS

Obujam 140 ccm

Nazivna snaga kod nazivnog broja okretaja 2,1 - 2800 kW - o/min

Spremnik za gorivo 0,8 l

Broj okretaja ravnog noža 2800 o/min

Pogon kotača ne

Dužina 144 cm

Širina 49 cm

Visina 109 cm

Težina 23 kg

Emisije buke

Prema Direktivi 2000/14/EC:

Jamčena razina zvučne snage L_{WAAd} 94 dB(A)

Prema Direktivi 2006/42/EC:

Razina zvučnog tlaka na radnom mjestu

L_{pA} 81 dB(A)

Nesigurnost K_{pA} 2 dB(A)

Vibracije na rukama

Navedena karakteristična vrijednost vibracija prema EN 12096:

Izmjerena vrijednost a_{hw} 4,10 m/sec²

Nesigurnost K_{hw} 2,05 m/sec²

Mjerenje prema EN 20643

RM 443.0 T:

Motor s unutarnjim izgaranjem: Briggs & Stratton, Series

550 EX OHV RS

Obujam 140 ccm

Nazivna snaga kod nazivnog broja okretaja 2,1 - 2800 kW - o/min

Spremnik za gorivo 0,8 l

Broj okretaja ravnog noža 2800 o/min

Pogon kotača 1 stupanj prijenosa za vožnju prema naprijed s blagim pokretanjem

Dužina 144 cm

Širina 48 cm

Visina 109 cm

Težina 25 kg

Emisije buke

Prema Direktivi 2000/14/EC:

Jamčena razina zvučne snage L_{WAAd} 94 dB(A)

Prema Direktivi 2006/42/EC:

Razina zvučnog tlaka na radnom mjestu

L_{pA} 81 dB(A)

Nesigurnost K_{pA} 2 dB(A)

Vibracije na rukama

Navedena karakteristična vrijednost vibracija prema EN 12096:

Izmjerena vrijednost a_{hw} 4,10 m/sec²

Nesigurnost K_{hw} 2,05 m/sec²

Mjerenje prema EN 20643

**RM 448.0 PC, RM 448.0 PT, RM 448.0 T,
RM 448.0 TC, RM 448.0 TX,
RM 448.0 VC:**

Serijska oznaka 6358

Širina reza 46 cm

RM 448.0 PC:

Motor s unutarnjim izgaranjem: Briggs & Stratton, Series 625

Obujam 150 ccm

Nazivna snaga kod nazivnog broja okretaja 2,2 - 2800 kW - o/min

Spremnik za gorivo	0,8 l
Broj okretaja ravnog noža	2800 o/min
Pogon kotača	1 stupanj prijenosa za vožnju prema naprijed s blagim pokretanjem
Dužina	147 cm
Širina	50 cm
Visina	113 cm
Težina	27 kg

Emisije buke

Prema Direktivi 2000/14/EC:	
Jamčena razina zvučne snage L_{WAAd}	96 dB(A)
Prema Direktivi 2006/42/EC:	
Razina zvučnog tlaka na radnom mjestu	
L_{pA}	83 dB(A)
Nesigurnost K_{pA}	2 dB(A)

Vibracije na rukama

Navedena karakteristična vrijednost vibracija prema EN 12096:	
Izmjerena vrijednost	
a_{hw}	3,00 m/sec ²
Nesigurnost K_{hw}	1,50 m/sec ²
Mjerenje prema EN 20643	

RM 448.0 PT:

Motor s unutarnjim izgaranjem: proizvođač, tip	Briggs & Stratton, Series 625
Obujam	150 ccm
Nazivna snaga kod nazivnog broja okretaja	2,2 - 2800 kW - o/min
Spremnik za gorivo	0,8 l
Broj okretaja ravnog noža	2800 o/min

Pogon kotača	1 stupanj prijenosa za vožnju prema naprijed s blagim pokretanjem
Dužina	147 cm
Širina	50 cm
Visina	111 cm
Težina	27 kg

Emisije buke

Prema Direktivi 2000/14/EC:	
Jamčena razina zvučne snage L_{WAAd}	96 dB(A)
Prema Direktivi 2006/42/EC:	
Razina zvučnog tlaka na radnom mjestu	
L_{pA}	83 dB(A)
Nesigurnost K_{pA}	2 dB(A)

Vibracije na rukama

Navedena karakteristična vrijednost vibracija prema EN 12096:	
Izmjerena vrijednost	
a_{hw}	3,90 m/sec ²
Nesigurnost K_{hw}	1,95 m/sec ²
Mjerenje prema EN 20643	

RM 448.0 T:

Motor s unutarnjim izgaranjem: proizvođač, tip	Briggs & Stratton, Series 575
Obujam	140 ccm
Nazivna snaga kod nazivnog broja okretaja	2,1 - 2800 kW - o/min
Spremnik za gorivo	0,8 l
Broj okretaja ravnog noža	2800 o/min

Pogon kotača	1 stupanj prijenosa za vožnju prema naprijed s blagim pokretanjem
Dužina	147 cm
Širina	50 cm
Visina	111 cm
Težina	26 kg

Emisije buke

Prema Direktivi 2000/14/EC:	
Jamčena razina zvučne snage L_{WAAd}	96 dB(A)
Prema Direktivi 2006/42/EC:	
Razina zvučnog tlaka na radnom mjestu	
L_{pA}	83 dB(A)
Nesigurnost K_{pA}	2 dB(A)

Vibracije na rukama

Navedena karakteristična vrijednost vibracija prema EN 12096:	
Izmjerena vrijednost	
a_{hw}	3,90 m/sec ²
Nesigurnost K_{hw}	1,95 m/sec ²
Mjerenje prema EN 20643	

RM 448.0 TC:

Motor s unutarnjim izgaranjem: proizvođač, tip	Briggs & Stratton, Series 575
Obujam	140 ccm
Nazivna snaga kod nazivnog broja okretaja	2,1 - 2800 kW - o/min
Spremnik za gorivo	0,8 l
Broj okretaja ravnog noža	2800 o/min

Pogon kotača	1 stupanj prijenosa za vožnju prema naprijed s blagim pokretanjem
Dužina	147 cm
Širina	50 cm
Visina	113 cm
Težina	27 kg

Emisije buke

Prema Direktivi 2000/14/EC:	
Jamčena razina zvučne snage L_{WAAd}	96 dB(A)
Prema Direktivi 2006/42/EC:	
Razina zvučnog tlaka na radnom mjestu	
L_{pA}	83 dB(A)
Nesigurnost K_{pA}	2 dB(A)

Vibracije na rukama

Navedena karakteristična vrijednost vibracija prema EN 12096:	
Izmjerena vrijednost	
a_{hw}	3,50 m/sec ²
Nesigurnost K_{hw}	1,75 m/sec ²
Mjerenje prema EN 20643	

RM 448.0 TX:

Motor s unutarnjim izgaranjem: proizvođač, tip	Briggs & Stratton, Series 550 EX OHV RS
Obujam	140 ccm
Nazivna snaga kod nazivnog broja okretaja	2,1 - 2800 kW - o/min
Spremnik za gorivo	0,8 l
Broj okretaja ravnog noža	2800 o/min

Pogon kotača	1 stupanj prijenosa za vožnju prema naprijed s blagim pokretanjem
Dužina	147 cm
Širina	50 cm
Visina	111 cm
Težina	26 kg

Emisije buke

Prema Direktivi 2000/14/EC:	
Jamčena razina zvučne snage L_{WAAd}	96 dB(A)
Prema Direktivi 2006/42/EC:	
Razina zvučnog tlaka na radnom mjestu	
L_{pA}	83 dB(A)
Nesigurnost K_{pA}	2 dB(A)

Vibracije na rukama

Navedena karakteristična vrijednost vibracija prema EN 12096:	
Izmjerena vrijednost	
a_{hw}	4,10 m/sec ²
Nesigurnost K_{hw}	2,05 m/sec ²
Mjerenje prema EN 20643	

RM 448.0 VC:

Motor s unutarnjim izgaranjem: proizvođač, tip	Briggs & Stratton, Series 625
Obujam	150 ccm
Nazivna snaga kod nazivnog broja okretaja	2,2 - 2800 kW - o/min
Spremnik za gorivo	0,8 l
Broj okretaja ravnog noža	2800 o/min
Pogon kotača	Vario prema naprijed
Dužina	147 cm

Širina	50 cm
Visina	113 cm
Težina	28 kg

Emisije buke

Prema Direktivi 2000/14/EC:	
Jamčena razina zvučne snage L_{WAAd}	96 dB(A)
Prema Direktivi 2006/42/EC:	
Razina zvučnog tlaka na radnom mjestu	
L_{pA}	83 dB(A)
Nesigurnost K_{pA}	2 dB(A)

Vibracije na rukama

Navedena karakteristična vrijednost vibracija prema EN 12096:	
Izmjerena vrijednost	
a_{hw}	3,00 m/sec ²
Nesigurnost K_{hw}	1,50 m/sec ²
Mjerenje prema EN 20643	

18.1 REACH

REACH označava uredbu EU o registraciji, evaluaciji i autorizaciji kemikalija.

Informacije o ispunjavanju REACH uredbe (EZ) br. 1907/2006 navedene su na stranici www.stihl.com/reach

19. Traženje pogrešaka

- ✳ Eventualno potražite ovlaštenog trgovca, STIHL preporučuje ovlaštenog STIHL trgovca.
- 📖 Razina motornog ulja (vidi upute za uporabu motora s unutarnjim izgaranjem).

Smetnja:

Motor s unutarnjim izgaranjem se ne pokreće.

Mogući uzrok:

- Stremen za zaustavljanje motora nije potvrđen,
- Nema goriva u spremniku; vod goriva začepljen.
- Loše, onečišćeno ili staro gorivo u spremniku.
- Zračni filter prljav.
- Utikač svjeće izvučen iz svjeće; kabel za paljenje loše pričvršćen na utikaču.
- Svjeća začađena ili oštećena; pogrešan razmak elektroda.

Pomoć:

- pritisnite stremen za zaustavljanje motora prema upravljaču i držite ga, (⇒ 9.2)
- Dopunite gorivo; očistite vod goriva. ✘
- Uvijek upotrijebite svježe gorivo priznate marke, bezolovni benzin; očistite rasplinjač. ✘
- Očistite zračni filter. ✘
- Natakните utikač svjeće; provjerite spoj između kabela paljenja i utikača. ✘
- Očistite ili zamijenite svjećicu; podesite razmak elektroda. ✘

Smetnja:

Otežano pokretanje ili slabljenje snage motora s unutarnjim izgaranjem.

Mogući uzrok:

- Kućište kosilice začepljeno.
- Košnja na preniskom stupnju visine reza, odnosno kretanje je prebrzo u odnosu na visinu reza.
- Voda u spremniku za gorivo ili u rasplinjaču; rasplinjač je začepljen.
- Spremnik za gorivo prljav.

- Zračni filter prljav.
- Svjećica začađena.

Pomoć:

- Očistite kućište kosilice (izvucite utikač svjeće!). (⇒ 12.3)
- Namjestite višu visinu reza, odnosno smanjite brzinu kretanja. (⇒ 8.4)
- Ispraznite spremnik za gorivo, očistite vod goriva i rasplinjač. ✘
- Očistite spremnik za gorivo. ✘
- Očistite zračni filter. ✘
- Očistite svjećicu. ✘

Smetnje:

Motor s unutarnjim izgaranjem previše se zagrijava.

Mogući uzrok:

- Preniska razina ulja u motoru s unutarnjim izgaranjem.
- Rashladna rebra prljava.

Pomoć:

- Zamijenite motorno ulje. (⇒ 7.6)
- Očistite rashladna rebra. (⇒ 12.3)

Smetnje:

Snažne vibracije za vrijeme rada.

Mogući uzrok:

- Rezna jedinica neispravna.
- Pričvršćenje motora s unutarnjim izgaranjem labavo.

Pomoć:

- Provjerite nož za košnju, vratilo noža i elemente za pričvršćenje noža (vijak noža i sigurnosnu podlošku) i po potrebi ih popravite. ✘
- Stegnite vijke za pričvršćenje motora s unutarnjim izgaranjem. ✘

Smetnje:

Neuredan rez, trava žuti

Mogući uzrok:

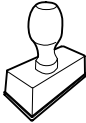
- Nož za košnju je tup ili istrošen

Pomoć:

- Naoštrite ili zamijenite nož za košnju (⇒ 12.6), (⇒ 12.5), ✘

20. Servisni plan

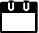
20.1 Potvrda predaje

Model: _____
Serijski broj: <input type="text"/> <input type="text"/> <input type="text"/> <input type="text"/> <input type="text"/> <input type="text"/> <input type="text"/> <input type="text"/>
Datum: <input type="text"/> <input type="text"/> <input type="text"/> <input type="text"/>

Sljedeći servis
Datum: <input type="text"/> <input type="text"/> <input type="text"/> <input type="text"/>

20.2 Potvrda servisa

Prilikom radova na održavanju dajte ove upute za uporabu svom ovlaštenom STIHL trgovcu. On na označenim poljima potvrđuje da su provedeni servisni radovi.



 Datum obavljenog servisa

 Datum sljedećeg servisa

Vážená zákaznice, vážený zákazník,

těší nás, že jste se rozhodli pro firmu STIHL. Vytvíjíme a vyrábíme naše výrobky ve špičkové kvalitě odpovídající potřebám našich zákazníků. Tím vznikají výrobky s vysokým stupněm spolehlivosti i při extrémním namáhání.

STIHL je zárukou špičkové kvality také v servisních službách. Náš odborný prodej zajišťuje kompetentní poradenství a instruktáž jakož i obsáhlý technický suport.

Děkujeme Vám za Vaši důvěru a přejeme mnoho spokojenosti s Vaším výrobkem STIHL.

Dr. Nikolas Stihl

DŮLEŽITÉ! PŘED POUŽITÍM SI NÁVOD PŘEČÍST A ULOŽIT PRO DALŠÍ POTŘEBU.

1. Obsah

O tomto návodu k použití	150
Všeobecné informace	150
Návod ke čtení tohoto návodu k použití	150
Popis stroje	151
Pro vaši bezpečnost	151
Všeobecně	151
Tankování – manipulace s benzinem	152
Oděv a příslušenství	153
Transportování stroje	153
Před zahájením práce	153
Během práce	154
Údržba a opravy	156
Uskladnění při delších provozních přestávkách	157
Likvidace použitých materiálů	157
Popis symbolů	157
Rozsah dodávky	158
Příprava stroje k provozu	158
Všeobecně	158
Montáž jednodílného vodicího držadla (RM 448 PC, RM 448 TC, RM 448 VC)	158
Montáž dvoudílného vodicího držadla (RM 443, RM 443 T, RM 448 PT, RM 448 T, RM 448 TX)	158
Smontování sběrného koše na trávu	159
Zavěšení a vyvěšení startovacího lanka	159
Palivo a motorový olej	159
Ovládací prvky	159
Nastavení jednodílného vodicího držadla (RM 448 PC, RM 448 TC, RM 448 VC)	159
Sklopení dvoudílného vodicího držadla (RM 443, RM 443 T, RM 448 PT, RM 448 T, RM 448 TX)	160
Sběrný koš na trávu	160
Centrální seřízení výšky sečení	160
Indikátor naplnění	160
Bezpečnostní zařízení	160
Ochranná zařízení	161
Páka pro zastavení motoru	161
Pokyny pro práci	161
Pracovní oblast obsluhy	161
Uvedení stroje do provozu	161
Nastartování spalovacího motoru	161
Zastavení spalovacího motoru	161
Vlastní pojezd (RM 443 T, RM 448 PC, RM 448 PT, RM 448 T, RM 448 TX, RM 448 TC, RM 448 VC)	162
Vyprázdnění sběrného koše na trávu	162
Údržba	162
Všeobecně	162
Spalovací motor	162
Čištění stroje	162
Kontrola opotřebení nože	163
Demontáž a montáž žacího nože	163
Ostření žacího nože	164
Uskladnění a odstavení (zimní přestávka)	164
Přeprava stroje	165
Přeprava	165
Ochrana životního prostředí	165
Opatření pro minimalizování opotřebení a zabránění vzniku škod	165

Běžné náhradní díly	166
Prohlášení o shodnosti výroby EU	166
Benzinová sekačka na trávu (STIHL RM)	166
Servisní organizace	167
Adresa ředitelství společnosti STIHL	167
Adresy prodejních organizací STIHL	167
Adresy importérů produktů STIHL	167
Technické údaje	167
REACH	170
Hledání závad	170
Servisní plán	171
Potvrzení předání	171
Potvrzení servisu	171

2. O tomto návodu k použití

2.1 Všeobecné informace

Tento návod k použití platí jako **originální návod k použití** výrobce ve smyslu směrnice ES 2006/42/EC.

Společnost STIHL neustále pracuje na dalším technickém vývoji a rozšiřování sortimentu svých výrobků, proto si vyhrazujeme právo na změny obsahu dodávek týkající se vzhledu, konstrukce a vybavení.

Z údajů a vyobrazení uvedených v tomto katalogu nemohou být z tohoto důvodu vyvozeny žádné právní nároky.

V tomto návodu k použití jsou případně popsány modely, které nejsou dostupné v každé zemi.

Tento návod k použití je chráněn autorskými právy. Všechna práva jsou vyhrazena, zvláště právo na rozmnožování, překlady a zpracování elektronickými systémy.

2.2 Návod ke čtení tohoto návodu k použití

Obrázky a texty popisují určité manipulační kroky.

V návodu k použití jsou vysvětleny také veškeré obrázkové symboly umístěné na stroji.

Směr pohledu:

Směr pohledu při označení směru „**vlevo**“ a „**vpravo**“ je v tomto návodu k použití definován takto:
Obsluha stojí za strojem a dívá se dopředu ve směru jízdy.

Odkaz na příslušnou kapitolu:

Šipka ukazuje na související kapitoly a podkapitoly, ve kterých lze najít další vysvětlení. V následujícím příkladu je uveden odkaz na příslušnou kapitolu: (⇒ 4.)

Označení jednotlivých textových bloků:

Popsané pokyny mohou být označeny podle následujících příkladů.

Manipulační kroky vyžadující přímý zákrok obsluhy:

- Pomocí šroubováku uvolněte šroub (1), stiskněte páku (2)...

Všeobecný výčet:

- Použití stroje při sportovních nebo soutěžních akcích

Texty se zvláštním významem:

Textové bloky se zvláštním významem jsou za účelem zdůraznění zvláštního významu označeny v návodu k použití jedním z následujících symbolů.



Nebezpečí!

Nebezpečí nehody a těžkých úrazů osob. Zde je nutno dodržovat určitá pravidla nebo se něco zakazuje.



Varování!

Nebezpečí úrazu osob. Dodržováním předepsaných pravidel lze možným nebo pravděpodobným úrazům zabránit.



Pozor!

Dodržováním předepsaných pravidel lze zabránit lehkým úrazům, resp. vzniku materiálních škod.



Upozornění

Informace pro lepší využití funkcí stroje a pro zabránění případné nesprávné obsluhy.

Texty k obrázku:

Obrázky, které vysvětlují použití stroje, se nacházejí na začátku návodu k použití.

Symbol fotoaparátu slouží k propojení určitého obrázku v obrázkové části s odpovídajícím textem v návodu k použití.



3. Popis stroje



- 1 Páka pro zastavení motoru
- 2 Páka vlastního pojezdu (RM 443 T, RM 448 PC, RM 448 PT, RM 448 T, RM 448 TX, RM 448 TC, RM 448 VC)
- 3 Páka pohonu Vario (RM 448 VC)
- 4 Horní díl vodicího držadla
- 5 Startovací lanko
- 6 Rychloupínací páka (RM 443, RM 443 T, RM 448 PT, RM 448 T, RM 448 TX)
- 7 Spodní díl vodicího držadla (RM 443, RM 443 T, RM 448 PT, RM 448 T, RM 448 TX)
- 8 Spalovací motor
- 9 Tlumič výfuku s ochrannou mřížkou
- 10 Nástrčka zapalovací svíčky
- 11 Přední madlo
- 12 Přední kolo
- 13 Zadní kolo
- 14 Sběrný koš na trávu
- 15 Zadní madlo
- 16 Páka pro nastavení výšky sečení
- 17 Výrobní štítek se sériovým číslem stroje
- 18 Konzole vodicího držadla (RM 448 PC, RM 448 TC, RM 448 VC)
- 19 Aretační páka vodicího držadla (RM 448 PC, RM 448 TC, RM 448 VC)

4. Pro vaši bezpečnost

4.1 Všeobecně



Při práci se strojem bezpodmínečně dodržujte tyto bezpečnostní předpisy.



Před prvním uvedením stroje do provozu si pozorně přečtete celý návod k použití. Návod k použití pečlivě uložte pro pozdější

potřebu.

Dodržujte pokyny pro obsluhu a údržbu, které jsou uvedeny ve zvláštním návodu k použití spalovacího motoru.

Tato bezpečnostní opatření je nutno bezpodmínečně dodržovat v zájmu vaší vlastní bezpečnosti, avšak jejich výčet není konečný. Používejte stroj vždy s rozumem a s vědomím zodpovědnosti a pamatujte na to, že uživatel zodpovídá za úrazy dalších osob nebo poškození jejich majetku.

Důkladně se seznamte s ovládacími prvky a použitím stroje.

Stroj smí používat pouze osoby, které si přečetly návod k použití a jsou obeznámeny s ovládáním stroje. Před prvním uvedením stroje do provozu musí uživatel absolvovat odborné a praktické zaškolení. Uživatelé musí být ze strany prodejce nebo jiné odborně způsobilé osoby vysvětleno, jak se musí stroj obsluhovat.

Při tomto zaškolení musí být uživateli zvláště zdůrazněno, že je pro práci se strojem nezbytná nejvyšší opatrnost a koncentrace.

Zbytková rizika nebude nikdy možno zcela vyloučit ani tehdy, jestliže tento stroj budete obsluhovat předepsaným způsobem.



Riziko smrti udušením!

Děti by se mohly při hře s obalovým materiálem udušit. Bezpodmínečně tedy zabraňte dětem v přístupu k obalovému materiálu.

Stroj včetně všech nástaveb svěřujte, resp. půjčujte pouze osobám, které jsou s tímto modelem a jeho obsluhou důkladně seznámeny. Návod k použití je součástí stroje a musí být vždy předán společně s ním.

Stroj používejte pouze tehdy, pokud jste odpočinutí a v dobré tělesné i duševní kondici. V případě, že jste zdravotně handicapováni, měli byste se dotázat svého lékaře, zda smíte se strojem pracovat. Se strojem se nesmí pracovat po požití alkoholu, drog nebo léků, které ovlivňují reakční schopnost.

Přístroj by neměly používat děti, osoby s omezenými tělesnými, sensorickými nebo duševními schopnostmi, nezkušené osoby ani osoby, které se neseznámily s pokyny k obsluze stroje.

Nikdy nedovolte používat stroj dětem nebo mládeži do 16 let. Místními předpisy může být minimální věk obsluhy stroje upraven jinak.

Stroj je koncipován pro soukromé použití.

Pozor – nebezpečí úrazu!

Sekačka na trávu je určena pouze pro sekání trávy. Jiné použití není dovoleno a může být nebezpečné nebo vést k poškození stroje.

Pro zabránění nebezpečí úrazu uživatele se sekačka na trávu nesmí používat pro následující práce (výčet příkladů není úplný):

- stříhání křoví, živých plotů a houští,
- sekání popínavých rostlin,
- údržba trávníků na střechách a v balkónových květinových truhlících,
- drčení a rozmělnění odřezků větví stromů a keřů,
- čištění chodníků (vysávání, vyfukování),
- vyrovnávání nerovností půdy, jako např. krtinců,
- transportování posečené hmoty, vyjma ve sběrném koši na trávu, který je k tomu určen.

Z bezpečnostních důvodů je zakázáno, s výjimkou odborné montáže příslušenství schváleného firmou STIHL, provádět na stroji jakékoliv změny. Takové jednání má kromě toho za následek zrušení všech nároků vyplývajících ze záruky. Informace o schváleném příslušenství obdržíte u Vašeho odborného prodejce STIHL.

Zejména je zakázána jakákoliv manipulace se strojem, která by změnila výkon nebo otáčky spalovacího motoru nebo elektromotoru.

Se strojem není dovoleno transportovat žádné předměty, zvířata nebo osoby, obzvláště děti.

Při použití stroje na veřejných zelených plochách, v parcích, na sportovištích, veřejných komunikacích a v zemědělském či lesním hospodářství se musí pracovat s nejvyšší opatrností.



Pozor! Zdraví škodlivé vibrace! Nadměrné zatížení vibracemi může mít za následek ohrožení krevního oběhu nebo nervové soustavy, obzvláště u osob s problematickým krevním oběhem. Pokud se objeví symptomy, které by mohly být vyvolány následkem vibrací, obraťte se na lékaře. K těmto příznakům, vyskytujícím se převážně v prstech, rukou nebo v zápěstí, patří např. (výčet příkladů je neúplný):

- necitlivost,
- bolesti,
- svalová slabost,
- změny zabarvení pokožky,
- nepříjemné brnění.

Během provozu držte vodící držadlo pevně, nikoli však křečovitě oběma rukama v místech, která jsou k tomu určena.

Dobu práce plánujte vždy tak, abyste se vyhnuli vysokému zatížení po delší časové období.

4.2 Tankování – manipulace s benzínem



Nebezpečí ohrožení života!

Benzín je jedovatý a vysoce zápalný.

Benzín uchovávejte jen v nádobách (kanystrech) k tomu určených a schválených. Uzavírací víčka palivových nádrží se vždy musí řádně našroubovat a pevně dotáhnout. Poškozené uzávěry nádrže je nutno z bezpečnostních důvodů vždy vyměnit.

Nikdy nepoužívejte nápojové láhve nebo podobné nádoby pro účely likvidace nebo skladování provozních hmot jako např. motorového paliva. Mohlo by to svádět osoby, zejména děti, k napití z takových láhví či nádob.



Benzín nenechávejte v blízkosti zdrojů jiskření, otevřeného ohně, stálých plamenů, tepelných zdrojů a jiných zápalných zdrojů. Kouření zakázáno!

Tankujte jen venku a během tankování nekuřte.

Před tankováním vypněte spalovací motor a počkejte, až vychladne.

Benzín naplňte ještě před nastartováním spalovacího motoru. Během chodu spalovacího motoru nebo je-li stroj horký, se nesmí otevírat uzávěr nádrže ani doplňovat benzín.

Nádrž s palivem nepřepĺňujte!

Nikdy nepĺňte palivovou nádrž nad spodní okraj plnicího hrdla, aby mělo palivo dostatek místa pro zvětšení objemu. Následně dodržujte pokyny uvedené v návodu k použití spalovacího motoru.



V případě, že došlo k přetečení benzínu, nastartujte spalovací motor teprve po vyčištění benzínem znečištěné plochy. Vyhněte se jakékoliv manipulaci se systémem zapalování, dokud se benzínové páry úplně nevypaří (vytřete do sucha).

Rozlité palivo se vždy musí vytřít do sucha.

Pokud byl benzínem potřísněn oděv, musí se vyměnit.

Stroj s benzínem v nádrži nikdy neuschovávejte v budově. Vznikající benzínové páry mohou přijít do styku s otevřeným ohněm nebo jiskrami a mohou se vznítit.

Pokud je nutno vyprázdnit nádrž, musí se to provést venku.

4.3 Oděv a příslušenství



Při práci vždy používejte pevnou obuv s drsnou podrážkou. Nikdy nepracujte bosí ani například v sandálech.



Při údržbových a čistících pracích, jakož i při transportu stroje navíc používejte pevné rukavice a dlouhé vlasy si sepněte a zabezpečte je (šátkem na hlavu, čepicí atd.).



Při ostření žacího nože se musí nosit vhodné ochranné brýle.

Stroj se smí provozovat jen v dlouhých kalhotách a těsně přiléhajícím oblečení.

Nikdy nenoste volné šaty, které by se mohly zachytit o pohybující se díly stroje (ovládací páky) – také žádné šperky, kravaty a šály.



Během práce dochází k hluku. Hluk může poškodit sluch.

Používejte chrániče sluchu.

4.4 Transportování stroje

Pro zabránění nebezpečí poranění na ostrých hranách a popálení na horkých dílech stroje pracujte jen v pracovních rukavicích.

Stroj nikdy netransportujte při běžícím spalovacím motoru. Před transportováním spalovací motor vypněte, řezný nůž nechejte doběhnout a stáhněte nástrčku zapalovací svíčky.

Stroj transportujte jen s ochlazeným spalovacím motorem a bez paliva.

Při nakládání používejte vhodné nakládací pomůcky (nakládací plošiny, zdvihací zařízení).

Stroj se společně s transportovaným příslušenstvím (např. sběrným košem na trávu) zajistěte na ložné ploše použitím dostatečně dimenzovaných vázacích prostředků (upínací popruhy, lana atd.).

Při zvedání a přenášení stroje zabraňte kontaktu se žacím nožem.

Dodržujte pokyny uvedené v kapitole „Transportování stroje“. Zde je popsáno, jak se musí stroj zvedat, resp. pevně upevňovat. (⇒ 13.)

Při transportu stroje dodržujte platné regionální zákonné předpisy, zejména předpisy o bezpečnosti a zajištění nákladu během transportu a způsobu dopravy předmětů na ložné ploše.

4.5 Před zahájením práce

Je nutno zajistit, aby se strojem pracovaly pouze osoby, které znají návod k použití.

Před uvedením stroje do provozu zkontrolujte, zda palivová soustava dobře těsní; prohlédněte zejména volně přístupné díly, jako např. palivovou nádrž, uzávěr nádrže a hadicové spoje. Pokud odhalíte netěsnost nebo závadu, spalovací motor nestartujte – **nebezpečí požáru!**

Než uvedete stroj do provozu, zajistěte jeho odbornou opravu u prodejce.

Dodržujte platné komunální předpisy pro provozní dobu zahradní techniky se spalovacím motorem nebo elektromotorem.

Pozemek, na kterém se má se strojem pracovat, důkladně překontrolujte a předem odstraňte všechny kameny, klacky, dráty, kosti či jiná cizí tělesa, která by mohla být strojem odmrštěna. Překážky (jako např. pařezy, kořeny) lze ve vysoké trávě snadno přehlédnout.

Označte si proto před zahájením práce se strojem všechny cizí objekty skryté v zatrávněné ploše (překážky), které není možné odstranit.

Před použitím stroje se musí vyměnit všechny vadné, opotřebené a poškozené součásti. Neprodleně vyměňte nečitelné či poškozené výstražné a bezpečnostní symboly na stroji. Specializovaný prodejce strojů STIHL má k dispozici náhradní samolepky s upozorněním i všechny další náhradní díly.

Před použitím stroje zkontrolujte pevné a bezpečné umístění nástrčky zapalovací svíčky na zapalovací svíčce.

Stroj se smí používat pouze v provozně bezpečném stavu. Před každým spuštěním stroje zkontrolujte,

- zda je stroj v předepsaném smontovaném stavu,
- zda nejsou žací nástroj a celá žací jednotka (žací nůž, upevňovací prvky, kryt žacího nástroje) poškozené; zvláštní pozornost je třeba věnovat bezpečnému upevnění, poškození (zářezy nebo praskliny) a opotřebením, (⇒ 12.4)
- zda je patřičně zašroubován uzávěr palivové nádrže,

- zda nejsou nádrž a součásti palivového vedení včetně uzávěru nádrže poškozené,
- zda jsou ochranná zařízení (např. páka pro zastavení motoru, vyhazovací klapka, kryt, vodicí držadlo, ochranná mřížka) v bezchybném stavu a řádně fungují,
- zda není sběrný koš na trávu poškozen a zda je namontován kompletně; poškozený sběrný koš na trávu se nesmí používat,
- zda je patřičně zašroubován uzávěr otvoru pro doplňování oleje.

V případě potřeby proveďte potřebné úkony, příp. vyhledejte odborného prodejce. Společnost STIHL doporučuje odborného prodejce STIHL.

4.6 Během práce



Se strojem nikdy nepracujte, pokud se v nebezpečné oblasti zdržují zvířata nebo osoby, zvláště děti.

Na stroji nainstalované bezpečnostní spínače a bezpečnostní zařízení nesmějí být odstraněny ani přemostěny. Nikdy nefixujte zejména páku pro zastavení motoru na držadle pro ruční vedení stroje (např. přivázáním).



Pozor – nebezpečí úrazu!

Dbejte na to, abyste nohy nebo ruce nikdy nevstrčili do prostoru rotujících řezných nožů.

Nedotýkejte se rotujícího řezného nože. Zdržujte se vždy v dostatečné vzdálenosti od vyhazovacího otvoru.

Vždy dodržujte bezpečný odstup, který je daný vodicím držadlem stroje. Vodicí držadlo musí být vždy správně

namontováno a nesmí se měnit. Stroj nikdy nespouštějte do provozu se sklopeným vodicím držadlem.

Na vodicí držadlo nikdy nezavěšujte žádné předměty (např. pracovní oděv).

Pracujte jen za denního světla nebo při dobrém umělém osvětlení.

Nepracujte se strojem při dešti, bouři a zejména ne při nebezpečí úderu blesku.

Na vlhkém podkladu se kvůli snížené stabilitě postroje obsluhy zvyšuje riziko úrazu.

Pracujte obzvláště opatrně, abyste zabránili uklouznutí. Je-li to možné, vyhněte se používání stroje na vlhkém podkladu.

Výfukové plyny:



Nebezpečí života otrávením!

Při nevolnosti, bolesti hlavy, poruše vidění (např. při zmenšení zorného pole), poruše sluchu, závratí, snížení schopnosti koncentrace okamžitě přestaňte pracovat. Tyto příznaky mohou být mimo jiné způsobeny nadměrnou koncentrací výfukových plynů.



Při chodu spalovacího motoru vznikají jedovaté výfukové plyny. Tyto plyny obsahují jedovatý oxid uhelnatý, který je bez barvy a bez zápachu, a jiné škodlivé látky. Spalovací motor se nikdy nesmí uvádět do provozu v uzavřených nebo v neodvětraných místnostech.

Startování:

Při startování stroje postupujte opatrně, podle návodu v kapitole „Uvedení stroje do provozu“ (⇒ 11.). Spouštění podle těchto pokynů snižuje riziko úrazu.

Nebezpečí úrazu!

Pokud startovací lanko rychle zaskočí zpět, jsou ruka a paže taženy ke spalovacímu motoru rychleji, než je možné startovací lanko pustit. Tímto zpětným rázem může dojít ke zlomeninám, skřípnutí a podvrtnutí.

Při startování dbejte na dostatečnou vzdálenost nohou od řezného nástroje.

Při startování se stroj nesmí naklápět.

Při startování nesmí být stlačena páka vlastního pojezdu.

Nestartujte spalovací motor, pokud není vyhazovací kanál zakrytý vyhazovací klapkou, resp. sběrným košem na trávu.

Práce na svazích:

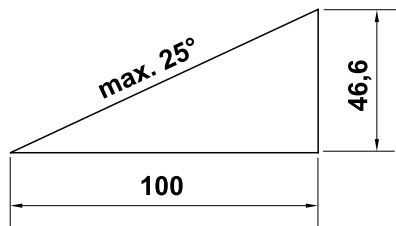
Ve svazích pracujte vždy v příčném směru, nikdy ne v podélném směru. Pokud ztratí uživatel při sečení v podélném směru kontrolu, mohl by jej sekající stroj převálcovat.

Buďte obzvláště opatrní při změně směru jízdy na svahu.

Při práci ve svazích dbejte vždy na dobrý postoj a vyhněte se práci se strojem v nadměrně strmých svazích.

Z bezpečnostních důvodů nepoužívejte stroj na svazích s větším stoupáním než 25° (46,6 %). **Nebezpečí úrazu!**

25° sklon svahu odpovídá vertikálnímu stoupání o 46,6 cm na 100 cm horizontální délky.



Při použití stroje na svazích dodržujte pro zajištění dostatečného mazání spalovacího motoru ještě navíc pokyny, uvedené v příloženém návodu k použití spalovacího motoru.

Pracovní nasazení:



Nebezpečí úrazu!

Nohama nebo rukama nikdy nezasahujte nad, pod nebo do prostoru rotujících dílů.



Nikdy se nepokoušejte kontrolovat řezný nůž, pokud je sekačka na trávu v provozu.

Neotevírejte vyhadzovací kládku a/nebo nesundávejte sběrný koš na trávu, dokud se ještě otáčí žací nůž. Otáčející se řezný nůž může způsobit úraz.

Stroj vedte jen krokem – při práci se strojem nikdy neutíkejte. Při rychlém vedení stroje můžete zakopnout o překážky nebo uklouznout atd., čímž se zvyšuje nebezpečí úrazu.

Buďte obzvlášť opatrní při otáčení nebo při přitahování stroje k sobě.

Nebezpečí zakopnutí!

Pracujete-li v blízkosti svahů, okrajů terénu, příkopů a náspů, používejte stroj s obzvláštní opatrností. Dbejte zejména na dostatečnou vzdálenost od podobných nebezpečných míst.

Všechny skryté předměty (zavlažovače trávníku, kolíky, vodní ventily, základy, elektrické kabely apod.) zapuštěné do travního drnu se musí objíždět. Nikdy nejezděte přes tyto předměty.



STOP

Pamatujte na to, že po vypnutí motoru trvá několik sekund, než se přestanou řezné nástroje otáčet.

Vypněte spalovací motor, vyčkejte, až se pracovní nářadí úplně zastaví a odpojte nástrčku zapalovací svíčky,

- vzdálíte-li se od stroje, resp. zůstane-li stroj bez dozoru,
- před doplněním paliva; palivo doplňujte, jen pokud je spalovací motor zcela vychladlý,

Nebezpečí požáru!

- před zahájením uvolňování zablokovaných dílů nebo čištění ucpaného vyhadzovacího kanálu,
- před zvedáním a přenášením stroje,
- před převozem stroje,
- než budete provádět práce na žacím noži,
- před zahájením kontroly, čištění stroje nebo před prováděním jakýchkoli prací na stroji (např. sklopení vodicího držadla),

- pokud došlo ke střetu s cizím tělesem nebo v případě, že sekačka na trávu začne abnormálně silně vibrovat. V takových případech zkontrolujte, zda stroj není poškozen, zejména řezná jednotka (nůž, nožový hřídel, upevnění nože), a proveďte nezbytné opravy dříve, než stroj znovu spustíte a zahájíte s ním práci.



Nebezpečí poranění!

Nadměrné vibrace zpravidla poukazují na nějakou závadu. Sekačka na trávu nesmí být uvedena do provozu zejména s poškozeným nebo deformovaným klikovým hřídelem nebo s poškozeným, resp. deformovaným žacím nožem. Pokud nemáte potřebné znalosti, nechte provést nutné opravy odborníkem – společnost STIHL doporučuje odborného prodejce STIHL.

Vypněte spalovací motor,

- pokud stroj přesouváte z pracovní plochy trávníku k další pracovní ploše trávníku,
- před přesunutím stroje na plochu bez travního porostu,
- předtím, než otevřete vyhadzovací kládku nebo sejmete sběrný koš na trávu,
- když se stroj musí za účelem transportu naklopit,
- předtím, než budete seřizovat výšku sečení.

4.7 Údržba a opravy

Před zahájením čištění, nastavení, oprav a údržbářských prací:

- Stroj postavte na rovnou a pevnou zemi,
- vypněte spalovací motor a nechte jej vychladnout,
- stáhněte nástrčku zapalovací svíčky.



Pozor – nebezpečí úrazu!

Nástrčku zapalovací svíčky umístěte v dostatečné vzdálenosti od zapalovací svíčky, jelikož neúmyslný vznik zapalovací jiskry může mít za následek požár nebo zasažení elektrickým proudem.

Neúmyslný kontakt zapalovací svíčky s nástrčkou zapalovací svíčky může mít za následek nežádoucí naskočení spalovacího motoru.



Nebezpečí úrazu žacím nožem!

Zatažením za startovací lanko začne pracovní nářadí otáčivý pohyb. Dbejte přitom vždy na dostatečný odstup od žacího nože, především od rukou a nohou, pokud taháte za startovací lanko.

Stroj nechte vychladnout zejména před zahájením prací v oblasti spalovacího motoru, sběrného výfukového potrubí a tlumiče výfuku. Motor může mít teplotu až 80 °C a vyšší. **Nebezpečí úrazu popálením!**

Přímý styk s motorovým olejem může být nebezpečný, kromě toho se nesmí motorový olej rozlít.

Společnost STIHL doporučuje svěřit doplňování motorového oleje, resp. výměnu motorového oleje odbornému prodejci STIHL.

Čištění:

Po ukončení práce se musí celý stroj pečlivě vyčistit. (⇒ 12.3)

Před umístěním stroje do čisticí polohy vyprázdněte palivovou nádrž (např. jízdou naprázdno).

Usazené zbytky trávy odstraňte dřevěným kolíkem. Spodní plochy sekačky čistěte kartáčem a vodou.

Pro čištění stroje nikdy nepoužívejte vysokotlaké čisticí zařízení nebo proud vody (např. ostříkáním pomocí zahradní hadice).

Nepoužívejte agresivní čisticí prostředky. Tyto čisticí prostředky mohou poškodit plastové a kovové díly, a tím negativně ovlivnit bezpečný provoz Vašeho stroje STIHL.

Pro zabránění nebezpečí požáru udržujte oblast otvorů pro chladicí vzduch, chladicích žeborů a kolem výfuku vždy v čistém stavu bez zbytků např. trávy, slámy, mechu, listů nebo vytečeného tuku.

Údržbářské práce:

Smí se provádět pouze údržbářské práce, které jsou popsány v tomto Návodu k použití, další práce nechte provést u odborného prodejce.

Potřebujete-li odborné informace nebo nemáte-li k dispozici potřebné nářadí, Váš odborný prodejce Vám **vždy** rád pomůže. STIHL doporučuje nechat provést všechny údržbářské práce a opravy výlučně prostřednictvím odborného prodejce STIHL.

Odborní prodejci STIHL jsou pravidelně školeni a disponují všemi potřebnými technickými informacemi.

Používejte jen nářadí, příslušenství a nástavby, které byly pro tento stroj schváleny firmou STIHL, nebo technicky

identické díly, jinak může dojít k nehodám s újmou na zdraví osob nebo poškozením stroje. V případě dotazů se obraťte na odborného prodejce.

Vlastnosti originálního nářadí, příslušenství a náhradních dílů STIHL jsou optimálně sladěny se strojem a se všemi požadavky uživatele. Originální náhradní díly STIHL lze poznat podle čísla náhradních dílů STIHL, podle nápisu STIHL a případně podle značky označující náhradní díly STIHL. Na malých dílech může být toto označení také samostatně.

Z bezpečnostních důvodů pravidelně kontrolujte všechny díly palivového systému (palivové potrubí, palivový kohout, palivovou nádrž, uzávěr nádrže, přípojky atd.) z hlediska poškození a netěsností a v případě potřeby je nechte vyměnit odborníkem (společnost STIHL doporučuje odborného prodejce STIHL).

Samolepicí informační a výstražné piktogramy na stroji udržujte vždy čisté a nepoškozené. Poškozené nebo ztracené samolepicí štítky se musí vyměnit za nové originální štítky od Vašeho odborného prodejce STIHL. Při výměně určitého dílu za nový dbejte na to, aby byl tento nový díl opatřen stejnou nálepkou.

Na řezném ústrojí pracujte jen v pevných pracovních rukavicích a při práci postupujte s nejvyšší opatrností.

Kontrolujte pevné dotažení všech matic, čepů a šroubů, zejména šroubu nože tak, aby se stroj nacházel vždy v bezpečném provozním stavu.

Pravidelně kontrolujte celý stroj a sběrný koš na trávu, zejména před uskladněním (např. před zimní přestávkou), z hlediska opotřebení a poškození. Opotřeбенé nebo poškozené součásti stroje se musí

z bezpečnostních důvodů ihned vyměnit, aby se stroj vždy nacházel v bezpečném provozním stavu.

Nikdy neměňte základní nastavení spalovacího motoru a nepřetočte jej ve vysokých otáčkách.

Pokud musely být při údržbářských pracích demontovány některé součásti nebo ochranná zařízení, je nutno tyto součásti neprodleně a podle předpisu namontovat zpět na původní místo.

4.8 Uskladnění při delších provozních přestávkách

Než stroj uložíte v uzavřené místnosti, nechte vychladnout spalovací motor.

Stroj s vyprázdněnou palivovou nádrží a zásobní palivo uskladňujte v uzamykatelném a dobře odvětraném prostoru.

Vždy se ujistěte, že je stroj zajištěn proti neoprávněnému použití (např. před dětmi).

Stroj s benzínem v nádrži nikdy neuschovávejte v budově. Vznikající benzínové páry mohou přijít do styku s otevřeným ohněm nebo jiskrami a mohou se vznítit.

Pokud je nutno vyprázdnit nádrž, např. při odstavení stroje před zimní přestávkou, musí se toto vyprázdňování palivové nádrže provádět pouze venku (např. chodem motoru naprázdno).

Před uskladněním (např. zimní přestávka) stroj důkladně vyčistěte.

Stroj skladujte jen se stáhnutou nástrčkou zapalovací svíčky.

Stroj uskladněte v řádném provozním stavu.

Předtím, než stroj zakryjete, jej nechte úplně vychladnout.

4.9 Likvidace použitých materiálů

Odpadní materiály jako použité oleje nebo palivo, použité mazací prostředky, filtry, akumulátory a podobné spotřební náhradní díly mohou způsobovat zranění lidí a zvířat nebo poškození životního prostředí, a proto musí být zlikvidovány odborným způsobem.

Chcete-li zjistit informace o odborné likvidaci odpadních materiálů, obraťte se na místní recyklační podnik nebo na odborného prodejce. Společnost STIHL doporučuje odborného prodejce STIHL.

Zajistěte, aby byl použitý a nepotřebný stroj odevzdán do specializované sběrný pro ekologickou likvidaci odpadu. Stroj před likvidací zneškodněte tak, aby byl nepoužitelný. S cílem předcházet úrazům, zejména odstraňte kabel zapalování, vyprázdňte palivovou nádrž a vypusťte motorový olej.

Nebezpečí úrazu žacím nožem!

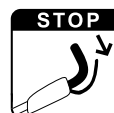
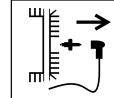
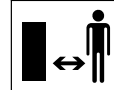
Nikdy nenechávejte bez dozoru ani sekačku na trávu, která je vyřazena z provozu. Zajistěte bezpečné uskladnění stroje a zejména žacího nože mimo dosah dětí.

5. Popis symbolů



Pozor!

Před uvedením stroje do provozu si přečtete návod k použití.



Nebezpečí úrazu!

Riziko úrazu osob zdržujících se v pracovní zóně.

Nebezpečí úrazu!

Před zahájením všech prací na řezném nástroji, údržbářských a čistících prací vždy vytáhněte nástrčku zapalovací svíčky.

Nebezpečí úrazu!

Ruce i nohy držte vždy v bezpečné vzdálenosti od nožů!

Po vypnutí motoru trvá ještě několik vteřin, než se řezné ústrojí úplně zastaví (brzda spalovacího motoru / nožová brzda).

RM 443, RM 443 T, RM 448 PT, RM 448 T, RM 448 TX:

Spuštění spalovacího motoru

RM 443, RM 443 T, RM 448 PT, RM 448 T, RM 448 TX:

Vypnutí spalovacího motoru

RM 443 T, RM 448 PT, RM 448 T, RM 448 TX:

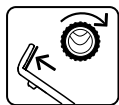
Zapnutí vlastního pojezdu



**RM 448 PC, RM 448 TC,
RM 448 VC:**
Spuštění spalovacího motoru



**RM 448 PC, RM 448 TC,
RM 448 VC:**
Vypnutí spalovacího motoru



**RM 448 PC, RM 448 TC,
RM 448 VC:**
Zapnutí vlastního pojezdu



RM 448 VC:
Nastavení rychlosti jízdy
(⇒ 11.3)



6. Rozsah dodávky



Poz.	Název	ks
A	Základní stroj	1
B	Horní díl sběrného koše	1
C	Spodní díl sběrného koše	1
D	Čep	2
–	Návod k použití	1
–	Návod k použití Spalovací motor	1

**RM 443, RM 443 T, RM 448 PT,
RM 448 T, RM 448 TX:**

Poz.	Název	ks
E	Rychloupínací páka	2
F	Šroub	2
G	Vedení kabelu	2
H	Ochranné pouzdro	2

RM 448 PC, RM 448 TC, RM 448 VC:

Poz.	Název	ks
I	Pouzdro	1
J	Šroub	1
K	Podložka	2
L	Matice	1

7. Příprava stroje k provozu

7.1 Všeobecně




Nebezpečí úrazu


Dodržujte bezpečnostní pokyny, uvedené v kapitole „Pro vaši bezpečnost“ (⇒ 4.).

- Při všech popsanych pracích musí být stroj postaven na vodorovné, rovné a pevné ploše.

7.2 Montáž jednodílného vodicího držadla (RM 448 PC, RM 448 TC, RM 448 VC)



- **1**  pouzdro (I) do otvoru na vodicím držadle (1).
- **2** Obě podložky (K) nasuňte vyklenutím dovnitř na pouzdro vodicího držadla (1).

- **3** Pouzdro (I) a podložky (K) přidrže a společně s vodicím držadlem (1) zasuňte do držáku na konzole vodicího držadla (2).
- **4** Šroub (J) zasuňte z vnější strany směrem dovnitř skrze otvory na vodicím držadle (1) a nasuňte na konzolu vodicího držadla (2).
- **5**  matice (L).
- **6** Šroub (J). Utahovací moment: **18 - 22 Nm**

Montáž lanek:

- RM 448 PC, RM 448 TC: Vložte lanovod pro zastavení motoru (3) a lanovod vlastního pojezdu (4) podle vyobrazení do vedení lanek (6) na konzole vodicího držadla a na vodicím držadle.
RM 448 VC: Vložte lanovod pro zastavení motoru (3), lanovod vlastního pojezdu (4) a lanovod pohonu Vario (5) podle vyobrazení do vedení lanek (6) na konzole vodicího držadla a na vodicím držadle.

7.3 Montáž dvoudílného vodicího držadla (RM 443, RM 443 T, RM 448 PT, RM 448 T, RM 448 TX)



- Nasadte ochranná pouzdra (H) na oba spodní díly vodicího držadla (1).
- Šroub (F) prostrčte přes otvor vedení kabelu (G).
- Horní díl vodicího držadla (2) přidrže u spodních dílů vodicího držadla (1).
- Levá strana: Vedení kabelu (G) zavěste na lanovod pro zastavení motoru (3).

- Pravá strana (RM 443 T, RM 448 PT, RM 448 T, RM 448 TX):
Vedení kabelu (G) zavěste na lanovod pro vlastní pojezd (4).
- Šroub (F) prostrčte na obou stranách skrze otvory směrem zevnitř ven.
- Našroubujte rychloupínací páku (E) na šrouby (F) (vyčnívat by měla cca jedna otáčka závitu šroubu) a vyklopte ji směrem nahoru.
- Zkontrolujte správnou montáž:
Rychloupínací páky (E) musí být utaženy tak pevně, aby těsně přiléhaly k vodicímu držadlu a horní díl vodicího držadla byl pevně spojen se spodním dílem vodicího držadla.
Pokud vodicí držadlo není namontováno pevně nebo rychloupínací páky nejsou umístěny správně, otevřete upínací páky a zašroubujte je natolik, až budou pevně umístěny.

7.4 Smontování sběrného koše na trávu



- Horní díl sběrného koše (B) nasadte na spodní díl sběrného koše (C). Dbejte přitom na správnou polohu ve vedení.
- Čepy (D) zatlačte zevnitř do příslušných otvorů.
- Lehkým zatlačením zaaretujte horní díl sběrného koše (B) ve spodním díle sběrného koše.
- Zavěste sběrný koš na trávu (⇒ 8.3).

7.5 Zavěšení a vyvěšení startovacího lanka



Zavěšení

- Odpojte nástrčku zapalovací svíčky od spalovacího motoru.
- Páku pro zastavení motoru (1) přitlačte k vodicímu držadlu a podržte ji.
- Pomalu vytáhněte startovací lanko (2).
- Uvolněte páku pro zastavení motoru (1) a zavěste startovací lanko (2) do držáku lanka (3).
- Zapojte nástrčku zapalovací svíčky.

Vyvěšení

- Odpojte nástrčku zapalovací svíčky od spalovacího motoru.
- Vyvěste startovací lanko (2) z držáku lanka (3).

7.6 Palivo a motorový olej



Zabraňte poškození stroje!

Před prvním spuštěním motoru nezapomeňte naplnit motorový olej. Pro doplňování motorového oleje, popř. doplnění paliva použijte vhodnou pomůcku pro plnění (např. trychtýř).

Motorový olej:

Předepsanou kvalitu motorového oleje a plnicí množství oleje najdete v návodu k použití spalovacího motoru.
Pravidelně kontrolujte stav naplnění (viz návod k použití spalovacího motoru).
Dbejte na to, aby hladina oleje nebyla příliš vysoká ani příliš nízká.



Před uvedením spalovacího motoru do provozu řádně zašroubujte uzávěr olejové nádrže.

Palivo:

Doporučení:
Používejte pouze čerstvá značková paliva, bezolovnatý benzín.
Pokyny pro kontrolu kvality paliva (oktanové číslo) naleznete v návodu k použití spalovacího motoru.



8. Ovládací prvky

8.1 Nastavení jednoduchého vodicího držadla (RM 448 PC, RM 448 TC, RM 448 VC)



Nebezpečí přiskřípnutí!

Při manipulaci s aretační pákou přidrže horní díl vodicího držadla vždy v nejvyšším místě.
Nikdy nevkládejte prsty mezi vodicí držadlo a konzolu (nad aretační páku a pod ni).

Sklopení vodicího držadla:

Transportní pozice (k čištění stroje, k prostorově úsporné přepravě a uskladnění stroje):

- Vyvěste startovací lanko u vedení lanka. (⇒ 7.5)
- Horní díl vodicího držadla (2) přidrže v nejvyšším místě a lehce nadzvedněte (odlehčete).
- Aretační páku (1) zatlačte směrem dolů a podržte.

- Vodicí držadlo (2) překlopte směrem dopředu.

Pracovní pozice (pro tlačení stroje):

- Vodicí držadlo (2) vyklopte směrem dozadu a dávejte pozor, aby se vodicí držadlo úplně zaaretovalo.
- Zavěste startovací lanko u vedení lanka. (⇒ 7.5)

Nastavení výšky:

Výšku jednodílného vodicího držadla lze nastavit ve 2 stupních:

- Horní díl vodicího držadla (2) přidrže v nejvyšším místě a lehce nadzvedněte (odlehčete).
- Aretační páku (1) zatlačte směrem dolů a podržte.
- Vodicí držadlo (2) přestavte do požadované polohy.
- Aretační páku (1) pusťte a dávejte pozor na to, aby se vodicí držadlo úplně zaaretovalo.

8.2 Sklopení dvoudílného vodicího držadla (RM 443, RM 443 T, RM 448 PT, RM 448 T, RM 448 TX)



Nebezpečí přiskřípnutí!

Uvolněním rychlouzávěrů lze horní díl vodicího držadla sklopit. Proto při otevírání rychlouzávěrů přidržujte vždy rukou horní díl vodicího držadla (2) na nejvyšším místě.

Transportní pozice (k čištění stroje, k prostorově úspornému transportování a uskladnění stroje):

- Vyvěste startovací lanko u vedení lanka. (⇒ 7.5)
- Otevřete rychloupínací páku (1) – vyklopte ji směrem dolů – a překlopte horní díl vodicího držadla (2) směrem dopředu.

Pracovní pozice (pro tlačení stroje):

- Horní díl vodicího držadla (2) vyklopte směrem dozadu a držte jej jednou rukou.
- Zavřete rychloupínací páku (1) (vyklopte ji směrem nahoru).
- Zavěste startovací lanko u vedení lanka. (⇒ 7.5)

8.3 Sběrný koš na trávu



Zavěšení:

- Otevřete a podržte vyhadzovací klapku (1).
- Zavěšte upevňovací západky sběrného koše na trávu (2) do příslušných uložení (3) na zadní straně stroje.
- Zavřete vyhadzovací klapku (1).

Vyvěšení:

- Otevřete a podržte vyhadzovací klapku (1).
- Sběrný koš na trávu (2) nadzvedněte a sejměte směrem dozadu.
- Zavřete vyhadzovací klapku (1).

8.4 Centrální seřízení výšky sečení



Lze nastavovat **6** různých výšek sečení.

Stupeň **1** = 25 mm

Stupeň **6** = 75 mm

Nastavení výšky sečení:

- Uchopte držadlo (1), vytáhněte páku (2) nahoru a podržte ji.
- Požadovanou výšku sečení nastavte zvýšením a snížením stroje. Aktuální výšku sečení můžete zjistit na ukazateli výšky sečení (3) pomocí značky (4).
- Uvolněte aretační páku (2) a zaaretuje ji.

8.5 Indikátor naplnění



Na horním dílu sběrného koše na trávu je umístěn indikátor naplnění (1).

Silný proud vzduchu, který vzniká rotací žacího nože a který slouží k naplnění sběrného koše na trávu, nadzvedne indikátor naplnění (2): Sběrný koš na trávu se plní posečenou hmotou.

Při postupném naplňování sběrného koše na trávu se intenzita proudění vzduchu snižuje a indikátor naplnění klesá (3):

- Vyprázdněte naplněný sběrný koš na trávu (⇒ 11.4).

9. Bezpečnostní zařízení

Stroj je za účelem bezpečné obsluhy a pro ochranu před neodborným používáním vybaven několika bezpečnostními zařízeními.



Nebezpečí úrazu!

Pokud se u některého z bezpečnostních zařízení zjistí závada, nesmí se stroj uvést do provozu. V tomto případě se obraťte na odborného prodejce. STIHL doporučuje odborného prodejce STIHL.

9.1 Ochranná zařízení

Sekačka na trávu je vybavena ochrannými zařízeními, jež zabraňují neúmyslnému kontaktu s žacím nožem a vyhazovanou posečenou hmotou.

K nim patří skříň, vyhazovací klapka, sběrný koš na trávu a řádně namontované vodicí držadlo.

9.2 Páka pro zastavení motoru

Sekačka na trávu je vybavena zařízením pro zastavení motoru.

Pokud dojde během provozu k uvolnění páky pro zastavení motoru, spalovací motor se zastaví.

Spalovací motor a řezný nůž se během 3 sekund zastaví.



Nebezpečí poranění!

Pokud je doba doběhu řezného nože delší, stroj nepoužívejte a zanechte ho k odbornému prodejci.

Měření doby doběhu

Po spuštění spalovacího motoru se řezný nůž otáčí a je slyšet hluk vytvářený proudem vzduchu. Doba doběhu odpovídá době trvání hluku, který produkuje proud vzduchu po vypnutí spalovacího motoru. Je možné ji změřit stopkami.

10. Pokyny pro práci

Pěkného a hustého trávníku lze dosáhnout tehdy,

- pokud budete sekat pomalou rychlostí.
- pokud budete sekat trávu často a udržovat trávník krátký.
- pokud nebudete sekat trávu za horkého a suchého počasí příliš nakrátko, slunce totiž může vypálit na trávníku nevzhledné plochy.
- pokud budete pracovat s ostrými žacími noži – žací nože proto pravidelně bruste (u odborného prodejce).
- pokud budete pravidelně měnit směr sečení.

10.1 Pracovní oblast obsluhy



- Při spuštění spalovacího motoru i po jeho spuštění se musí obsluha z bezpečnostních důvodů zdržovat jen ve vymezené pracovní oblasti za vodicím držadlem. Vždy dodržujte bezpečný odstup, který je daný vodicím držadlem stroje.
- Sekačku na trávu může obsluhovat pouze jedna osoba, ostatní osoby se musí zdržovat mimo nebezpečný prostor. (⇒ 4.)

11. Uvedení stroje do provozu

11.1 Nastartování spalovacího motoru



i Spalovací motor nespustíte ve vysoké trávě. Pokud je startování obtížné, nastavte vyšší výšku sečení.

Po nastartování pracuje spalovací motor s ohledem na nastavení stálého plynu vždy při optimálních pracovních otáčkách.

- Páku pro zastavení motoru (1) přitlačte k vodicímu držadlu a podržte ji.
- Startovací lanko (2) pomalu zatáhněte až k citelnému odporu. Poté silně a rychle zatáhněte až do délky natažené ruky. Startovací lanko (2) povolte opět pomalu zpět, aby mohl být startérem správně navinuto.
- Postup opakujte tak dlouho, než se spalovací motor nastartuje.

11.2 Zastavení spalovacího motoru



- Pro zastavení spalovacího motoru uvolněte páku pro zastavení motoru (1). Spalovací motor a žací nůž se po krátké době doběhu úplně zastaví.

11.3 Vlastní pojezd (RM 443 T, RM 448 PC, RM 448 PT, RM 448 T, RM 448 TX, RM 448 TC, RM 448 VC)



Sekačky na trávu RM 443 T, RM 448 PC, RM 448 PT, RM 448 T, RM 448 TX, RM 448 TC und RM 448 VC jsou vybaveny vlastním pojezdem.

RM 443 T, RM 448 PC, RM 448 PT, RM 448 T, RM 448 TX, RM 448 TC:
Jeden stupeň pro rychlost pojezdu vpřed (jednostupňová převodovka)

RM 448 VC:
Rychlost pojezdu vpřed plynule nastavitelná během jízdy (převodovka Vario)

Zapnutí vlastního pojezdu:

- Spusťte spalovací motor. (⇒ 11.1)
- Páku vlastního pojezdu (1) zatáhněte k vodičímu držadlu a držte. Vlastní pojezd se zapne a sekačka na trávu se rozjede dopředu.



Zabraňte poškození stroje!

Páku vlastního pojezdu je nutno vždy zcela stisknout (až na doraz), aby se zabránilo následnému poškození převodovky.

Nastavení rychlosti pojezdu (RM 448 VC):



Zabraňte poškození stroje!

S pákou pohonu Vario (2) manipulujte pouze při běžícím spalovacím motoru.

- Zvýšení rychlosti jízdy: Páku pohonu Vario (2) zatlačte během jízdy dopředu.



- Snížení rychlosti jízdy: Páku pohonu Vario (2) přitáhněte během jízdy dozadu.



Vypnutí vlastního pojezdu:

- Uvolněte páku vlastního pojezdu (1). Vlastní pojezd se vypne a sekačka na trávu zůstane stát. Spalovací motor běží dále.

11.4 Vyprázdnění sběrného koše na trávu



Nebezpečí úrazu!

Před vyvěšením sběrného koše na trávu je nutno vypnout z bezpečnostních důvodů spalovací motor.

- Vyvěste sběrný koš na trávu. (⇒ 8.3)
- Otevřete u sběrného koše na trávu uzavírací sponu (1). Horní díl sběrného koše (2) vyklopte nahoru a přidržte. Sběrný koš na trávu překlopte dozadu a vyprázdněte posečenou hmotu.
- Sběrný koš na trávu zavřete.
- Sběrný koš na trávu zavěste. (⇒ 8.3)

12. Údržba

12.1 Všeobecně



Nebezpečí úrazu!

Dodržujte bezpečnostní pokyny, uvedené v kapitole „Pro vaši bezpečnost“ (⇒ 4.).

Roční údržba u odborného prodejce:

Sekačku na trávu byste měli nechat jednou za rok zkontrolovat u odborného prodejce. Společnost STIHL doporučuje odborného prodejce STIHL.

12.2 Spalovací motor

Interval údržby:

Viz návod k použití spalovacího motoru.

Všeobecné pokyny:

Dodržujte všechny pokyny pro obsluhu a údržbu, uvedené v příloženém návodu k použití spalovacího motoru.

Pro zajištění dlouhé životnosti stroje je zvlášť důležitý předepsaný stav oleje, jakož i pravidelná výměna oleje a vzduchového filtru.

Doporučené intervaly výměny motorového oleje a informace ohledně motorového oleje a plnicího množství oleje najdete v návodu k použití spalovacího motoru.

Pro zaručení dostatečného chlazení spalovacího motoru udržujte chladicí žebra přívodu vzduchu vždy v čistém stavu.

12.3 Čištění stroje



Interval údržby:

Po každém použití

Pečlivé ošetřování chrání stroj před poškozením a prodlužuje jeho životnost.



Nebezpečí úrazu!

Vypněte spalovací motor, vytáhněte nástrčku zapalovací svíčky a nechte stroj vychladnout. Před umístěním stroje do čistící polohy vyprázdněte palivovou nádrž (chod do úplného spotřebování paliva). Stroj stojí v bezpečné poloze pro čištění pouze s otevřenou vyhazovací klapkou.

- Nastavte nejvyšší výšku sečení. (⇒ 8.4)
- Vyvěste sběrný koš na trávu. (⇒ 8.3)

Čistící poloha RM 443, RM 443 T, RM 448 PT, RM 448 T, RM 448 TX:

- Horní díl vodicího držadla (1) přidrželte a otevřete rychloupínací páku – vyklopte směrem dolů.
- Horní díl vodicího držadla (1) odložte směrem dozadu.
- Otevřete a podržte vyhazovací klapku (2).
- Stroj vpředu nadzvedněte a umístěte do polohy pro čištění podle obrázku.

Čistící poloha RM 448 PC, RM 448 TC, RM 448 VC:

- Pokud chcete stroj překloupat, stůjte vpravo od něj.
- Horní díl vodicího držadla uveďte do nejnižší polohy (až na doraz, aretační páka se v této poloze nezaaretuje). (⇒ 8.2)
- Vyhazovací klapku (2) otevřete pravou rukou a podržte ji.
- Levou rukou uchopte konzolu tak, jak je znázorněno na obrázku, a podržte vyhazovací klapku. Současně palcem stlačte aretační páku (3) a podržte ji.

- Stroj uchopte pravou rukou za přední rukojeť a pomalu jej překlápějte směrem dozadu, dokud vodicí držadlo nebude položeno na zemi, jak je uvedeno na obrázku.
- Vyhazovací klapku (2) a aretační páku (3) uvolněte a zkontrolujte stabilní umístění stroje.

Pokyny pro čištění:

- Nečistoty odstraňte pomocí menšího množství vody kartáčem nebo hadrem. Nezapomeňte také očistit žací nůž. Proud vody nikdy nesměřujte na součásti spalovacího motoru, těsnění a místa s ložisky.
- Usazené zbytky trávy předem odstraňte dřevěným kolíkem.
- V případě potřeby použijte speciální čistící prostředek (např. speciální čistící prostředek STIHL).

12.4 Kontrola opotřebení nože

Interval údržby: Před každým použitím



Nebezpečí úrazu!

Řezné nože podléhají různě intenzivnímu opotřebení v závislosti na místě použití a na době použití. V případě, že se stroj používá na písčité půdě, příp. často při suchém počasí, dochází k vyššímu namáhání řezného nože a k jeho nadměrně rychlému opotřebení. Opotřeбенý řezný nůž se může zlomit a způsobit těžká zranění. Z toho důvodu je důležité vždy dodržovat pokyny pro údržbu řezného nože.

- Sekačku na trávu překloupte do polohy pro čištění. (⇒ 12.3)

- Žací nůž (1) očistěte.
- Na přední hranu řezného nože přiložte pravítko (1) a změřte velikost zbrošení **A**.
- Změřte šířku nože **B** pomocí posuvného měřítka (2).
- Tloušťku **C** řezného nože změřte pomocí posuvného měřítka (2) v minimálně 5 místech. Minimální tloušťka musí být zachována především v oblasti křidélek řezného nože.

Hranice opotřebení:

Velikost zbrošení **A**: < 15 mm

Šířka nože **B**: > 39 mm

Tloušťka nože **C**: > 2 mm

Řezný nůž je třeba vyměnit,

- pokud je poškozený (vruby, praskliny),
- pokud bylo na jednom nebo více místech dosaženo naměřených hodnot, příp. se tyto hodnoty nacházejí mimo přípustnou hranici.

Pokud je na sekačce na trávu namontován Multi-nůž (k dispozici jako zvláštní příslušenství), platí jiné hranice opotřebení (viz návod k použití pro příslušenství).

12.5 Demontáž a montáž žacího nože



Demontáž:

- K přidržení žacího nože (2) použijte vhodný dřevěný špalek (1).
- Vyšroubujte šroub nože (3). Sejměte žací nůž (2), šroub nože (3) a pojistnou podložku (4).

Montáž:



Nebezpečí úrazu!

Žací nůž (2) smí být namontován pouze tak, jak je uvedeno na obrázku. Západky (7) musí ukazovat směrem dolů a zahnutá nožová křídélka směrem nahoru.

Předepsaný utahovací moment šroubu nože je nutno přesně dodržet, protože na tomto opatření závisí bezpečné upevnění řezného nástroje. Šroub nože (3) navíc zajistěte pomocí přípravku **Loctite 243**.

Pojistnou podložku (4) je nutno vyměnit při každé montáži nože a šroub nože (3) je nutno vyměnit při každé výměně nože za nový díl.

- Vyčistěte dosedací plochu nože a pouzdro nože.
- Žací nůž (2) namontujte zahnutými křídélky směrem nahoru (směřující ke stroji). Upevňovací západky (5) na pouzdru nože musejí zapadnout do otvorů (6) žacího nože.
- K přidržení žacího nože (2) použijte vhodný dřevěný špalek (1).
- Zašroubujte šroub nože (3) s novou pojistnou podložkou (4) a pevně jej utáhněte.
Utahovací moment: **60 - 65 Nm**

12.6 Ostření žacího nože

Společnost STIHL doporučuje přenechat ostření žacího nože odborníkovi. Nesprávně naostřený nůž (nesprávný úhel ostří, nevyváženost apod.) má za následek zhoršení funkce stroje.

Návod k ostření:

- Demontujte žací nůž. (⇒ 12.5)
- Žací nůž se musí při ostření chladit, např. vodou. Nesmí se objevit modré zbarvení materiálu, jinak se sníží tvrdost ostří.
- Aby se zabránilo vibracím z důvodu nevyvážení, ostřete řezný nůž rovnoměrně.
- Dodržte úhel ostří 30°.
- Otřep vzniklý na řezné hraně nože při ostření můžete odstranit jemným smirkovým papírem.
- Dbejte na hranice opotřebení. (⇒ 12.4)

12.7 Uskladnění a odstavení (zimní přestávka)

Stroj uskladněte v suchém, uzavřeném, bezprašném prostoru. Uskladnění stroje zajistěte tak, aby byl mimo dosah dětí.

Případné poruchy odstraňte ještě před uskladněním. Stroj musí vždy být v bezpečném provozním stavu.

Před uskladněním vyprázdňte palivovou nádrž a karburátor (např. chodem motoru až do úplného spotřebování paliva).

Při uskladnění stroje na delší dobu (zimní přestávka) navíc dodržujte následující postup:

- Pečlivě vyčistěte všechny vnější díly stroje.
- Všechny pohyblivé díly dobře naolejujte, popř. namažte tukem.

- Vyšroubujte zapalovací svíčku (viz návod k použití spalovacího motoru) a otvorem pro zapalovací svíčku nalijte do spalovacího motoru cca 3 cm³ motorového oleje. Spalovací motor několikrát protočte bez zašroubované zapalovací svíčky (zatáhněte za startovací lanko).



Nebezpečí požáru!

Nástrčku zapalovací svíčky držte mimo otvor zapalovací svíčky kvůli nebezpečí vznícení.

- Zapalovací svíčku zašroubujte zpět (viz návod k použití spalovacího motoru).
- Proveďte výměnu oleje (viz návod k použití spalovacího motoru).
- Zakryjte spalovací motor a uskladněte stroj v normální poloze.

13. Přeprava stroje

13.1 Přeprava



Nebezpečí poranění!

Před přepravou dodržujte pokyny uvedené v kapitole „Pro vaši bezpečnost“. (⇒ 4.)

Při přepravě noste vždy vhodný ochranný oděv (ochrannou obuv, pevné rukavice).

Před zvedáním, resp. transportem vždy odpojte nástrčku zapalovací svíčky. Společnost STIHL z bezpečnostních důvodů doporučuje zvedat nebo přenášet stroj pouze s pomocí další osoby. Před zvedáním respektujte hmotnost uvedenou v kapitole „Technické údaje“.

Přenášení stroje

- Dvě osoby:
Stroj zvedejte výhradně za přední rukojeť (1) a vodící držadlo (3). Dbejte přitom vždy na dostatečný odstup žacího nože od těla, především od chodidel a nohou.
- Jedna osoba:
Při zvedání nebo přenášení držte stroj jednou rukou vzadu uprostřed za horní držadlo (2) a druhou rukou vpředu za spodní držadlo (1).

Uvázání stroje

- Stroj na ložné ploše zajistěte pomocí vhodných vázacích prostředků.

- Lana, resp. upínací popruhy upevněte na vyznačených bodech (4).

14. Ochrana životního prostředí



Posečená tráva nepatří do odpadu, je nejvhodnějším materiálem na kompostování.

Obalové materiály, stroj a příslušenství jsou vyrobeny z recyklovatelných materiálů, tyto je nutno likvidovat podle příslušných předpisů.

Tříděný ekologický sběr a likvidace odpadových materiálů umožňuje efektivní recyklaci materiálů. Z toho důvodů je nutno použítý stroj po ukončení své technické životnosti odevzdat do tříděného sběru druhotných surovin. Při likvidaci stroje dodržujte pokyny, uvedené v kapitole „Likvidace použitých materiálů“ (⇒ 4.9).

Pro získání potřebných informací o odborné likvidaci odpadních materiálů se obraťte na Váš místní recyklační podnik nebo na Vašeho odborného prodejce.

15. Opatření pro minimalizování opotřebení a zabránění vzniku škod

Důležité pokyny pro údržbu a ošetřování skupiny výrobků

Benzinová sekačka na trávu (STIHL RM)

Firma STIHL v žádném případě neručí za zranění nebo materiální škody, které byly způsobeny nedodržením pokynů v návodu na obsluhu, zejména pokynů týkajících se bezpečnosti, obsluhy a

údržby, nebo použitím neschválených nástaveb nebo neschválených náhradních dílů.

Abyste zabránili poškození nebo nadměrnému opotřebení Vašeho stroje STIHL, vždy dodržujte následující důležité pokyny:

1. Běžné spotřební náhradní díly

Některé díly strojů STIHL podléhají běžnému provoznímu opotřebení i při předepsaném použití. Tyto díly se proto musí v závislosti na způsobu a době použití vždy včas vyměnit.

Mezi tyto součásti patří mj. také:

- žací nůž,
- sběrný koš na trávu,
- klínový řemen (RM 443 T, RM 448 PC, RM 448 PT, RM 448 T, RM 448 TC, RM 448 TX, RM 448 VC).

2. Dodržování pokynů uvedených v tomto návodu k použití

Při používání, údržbě a uskladnění stroje STIHL postupujte tak pečlivě, jak to popisuje tento návod k použití. Za všechny škody, ke kterým došlo nedodržením bezpečnostních pokynů a pokynů pro obsluhu a údržbu, odpovídá uživatel.

To platí zejména pro:

- úpravy stroje, které neschválila firma STIHL,
- použití provozních hmot (mazací prostředky, benzín a motorový olej, viz údaje výrobce spalovacího motoru), které nebyly schváleny společností STIHL,
- použití výrobcem neschváleného, nevhodného nebo kvalitativně nevyhovujícího náradí a příslušenství,

- použití výrobku v rozporu s předepsaným určením,
- použití stroje při sportovních nebo soutěžních akcích,
- následné škody vzniklé dalším používáním stroje s vadnými součástmi.

3. Údržbářské práce

Všechny práce uvedené v kapitole „Údržba“ provádějte pravidelně v předepsaných intervalech.

Pokud tyto údržbářské práce nemůže provést sám uživatel, musí pověřit odborného prodejce.

STIHL doporučuje nechat provést všechny údržbářské práce a opravy výlučně prostřednictvím odborného prodejce STIHL.

Odborní prodejci STIHL jsou pravidelně školeni a disponují všemi potřebnými technickými informacemi.

Zanedbáním těchto prací mohou vzniknout škody, za které odpovídá uživatel.

K tomu patří kromě jiného:

- koroze a jiné škody způsobené následkem neodborného uskladnění,
- poškození stroje způsobené použitím nekvalitních náhradních dílů,
- škody v důsledku pozdě nebo nedostatečně provedené údržby, resp. v důsledku údržbářských prací nebo oprav, které nebyly provedeny v servisní dílně odborného prodejce.

16. Běžné náhradní díly

Žací nůž RM 443, RM 443 T:

6338 702 0100

Žací nůž RM 448 PC, RM 448 PT, RM 448 T, RM 448 TC, RM 448 TX, RM 448 VC:

6358 702 0100

Šroub nože:

9008 319 9028

Pojistná podložka:

0000 702 6600



Upevňovací díly žacího nože (např. šroub nože) se musí při výměně nože, resp. při montáži nože vyměnit za nové. Náhradní díly jsou k dostání u odborného prodejce STIHL.

17. Prohlášení o shodnosti výroby EU

17.1 Benzinová sekačka na trávu (STIHL RM)

STIHL Tirol GmbH
Hans Peter Stihl-Straße 5
6336 Langkampfen
Rakousko

tímto na svojí výhradní zodpovědnost prohlašuje, že stroj

Sekačka na trávu se spalovacím motorem s ručním ovládáním (STIHL RM)

Výrobní značka: STIHL

Sériové identifikační číslo: **6338**

Výrobní značka: STIHL
Typ: RM 443.0
RM 443.0 T

Sériové identifikační číslo: **6358**
Typ: RM 448.0 PC
RM 448.0 PT
RM 448.0 T
RM 448.0 TC
RM 448.0 TX
RM 448.0 VC

je ve shodě s požadavky následujících směrnic ES: 2011/65/EU, 2000/14/EC, 2014/30/EU, 2006/42/EC

Konstrukce tohoto výrobku byla vyvinuta v souladu s následujícími normami: EN ISO 5395-1, EN ISO 5395-2, EN 14982

Pro vývoj a výrobu těchto výrobků platí ty verze norem, které jsou platné k datu výroby.

Použitá metoda hodnocení shodnosti výroby: Dodatek VIII (2000/14/EC)

Název a adresa sídla zúčastněných subjektů:

TÜV Rheinland LGA Products GmbH
Tillystraße 2
D-90431 Nürnberg

Sestavení a uchovávání technické dokumentace: Sven Zimmermann
STIHL Tirol GmbH

Rok výroby a sériové číslo stroje jsou uvedeny na typovém štítku stroje.

Naměřená hladina akustického výkonu:

RM 443.0	93,0 dB(A)
RM 443.0 T	93,0 dB(A)
RM 448.0 PC	95,3 dB(A)
RM 448.0 PT	95,3 dB(A)
RM 448.0 T	95,7 dB(A)
RM 448.0 TC	95,7 dB(A)
RM 448.0 TX	95,3 dB(A)
RM 448.0 VC	95,3 dB(A)

Garantovaná hladina akustického výkonu:

RM 443.0	94 dB(A)
RM 443.0 T	94 dB(A)
RM 448.0 PC	96 dB(A)
RM 448.0 PT	96 dB(A)
RM 448.0 T	96 dB(A)
RM 448.0 TC	96 dB(A)
RM 448.0 TX	96 dB(A)
RM 448.0 VC	96 dB(A)

Langkampfen,
2019-01-02 (RRRR-MM-DD)

STIHL Tirol GmbH

v zastoupení



Sven Zimmermann

Vedoucí konstrukčního oddělení

17.2 Servisní organizace

Záruční a pozáruční servis vám poskytne váš prodejce. Informace o dalších prodejních a servisních místech vám sdělí v zastoupení firmy A. STIHL pro ČR:
Andreas STIHL, spol. s r. o.
Chrlická 753
664 42 Modřice

17.3 Adresa ředitelství společnosti STIHL

ANDREAS STIHL AG & Co. KG
Postfach 1771
D-71301 Waiblingen

17.4 Adresy prodejních organizací STIHL

NĚMECKO

STIHL Vertriebszentrale AG & Co. KG
Robert-Bosch-Straße 13
64807 Dieburg
Telefon: +49 6071 3055358

RAKOUSKO

STIHL Ges.m.b.H.
Fachmarktstraße 7
2334 Vösendorf
Telefon: +43 1 86596370

ŠVÝCARSKO

STIHL Vertriebs AG
Isenrietstraße 4
8617 Mönchaltorf
Telefon: +41 44 9493030

ČESKÁ REPUBLIKA

Andreas STIHL, spol. s r. o.
Chrlická 753
664 42 Modřice

17.5 Adresy importérů produktů STIHL

BOSNA A HERCEGOVINA

UNIKOMERC d. o. o.
Bišće polje bb
88000 Mostar
Telefon: +387 36 352560
Fax: +387 36 350536

CHORVATSKO

UNIKOMERC - UVOZ d.o.o.
Sjedište:
Amruševa 10, 10000 Zagreb
Prodaja:
Ulica Kneza Ljudevita Posavskog 56,
10410 Velika Gorica
Telefon: +385 1 6370010
Fax: +385 1 6221569

TURECKO

SADAL TARIM MAKİNALARI DIŞ
TİCARET A.Ş.
Alsancak Sokak, No:10 I-6 Özel Parsel
34956 Tuzla, İstanbul
Telefon: +90 216 394 00 40
Fax: +90 216 394 00 44

18. Technické údaje

**RM 443.0, RM 443.0 T, RM 448.0 PC,
RM 448.0 PT, RM 448.0 T, RM 448.0 TC,
RM 448.0 TX, RM 448.0 VC:**

Spalovací motor, druh konstrukce	4taktní spalovací motor
Spouštěcí ústrojí	startovací lanko
Řezné ústrojí	Rotační nůž

Pohon rotačního nože	stálý
Utahovací moment šroubu nože	60 - 65 Nm
Bezpečnostní zařízení	zastavení motoru
Průměr předních kol	180 mm
Průměr zadních kol	200 mm
Objem sběrného koše na trávu	55 l
Výška sečení	25 - 75 mm

RM 443.0, RM 443.0 T:

Sériové identifikační číslo	6338
Šířka záběru při sečení:	41 cm

RM 443.0:

Spalovací motor: Výrobce, typ	Briggs & Stratton, Series 550 EX OHV RS
Zdvihový objem	140 ccm
Jmenovitý výkon při jmenovitých otáčkách	2,1 - 2800 kW - ot./min
Palivová nádrž	0,8 l
Otáčky rotačního nože	2800 ot./min
Pohon kol	ne
Délka	144 cm
Šířka	49 cm
Výška	109 cm
Hmotnost	23 kg

Emise hluku

Podle směrnice 2000/14/EC:	
Zaručená hladina akustického výkonu	
L_{WA}	94 dB(A)
Podle směrnice 2006/42/EC:	

Hladina akustického tlaku na pracovišti	
L_{pA}	81 dB(A)
Nejistota měření K_{pA}	2 dB(A)

Vibrace působící na ruce a paže

Uvedená charakteristická hodnota vibrací dle EN 12096:	
Naměřená hodnota	
a_{hw}	4,10 m/s ²
Nejistota měření K_{hw}	2,05 m/s ²
Měření podle EN 20643	

RM 443.0 T:

Spalovací motor: Výrobce, typ	Briggs & Stratton, Series 550 EX OHV RS
Zdvihový objem	140 ccm
Jmenovitý výkon při jmenovitých otáčkách	2,1 - 2800 kW - ot./min
Palivová nádrž	0,8 l
Otáčky rotačního nože	2800 ot./min
Pohon kol	jednostupňový vpřed s pozvolným rozběhem
Délka	144 cm
Šířka	48 cm
Výška	109 cm
Hmotnost	25 kg

Emise hluku

Podle směrnice 2000/14/EC:	
Zaručená hladina akustického výkonu	
L_{WA}	94 dB(A)
Podle směrnice 2006/42/EC:	
Hladina akustického tlaku na pracovišti	
L_{pA}	81 dB(A)

Nejistota měření K_{pA} 2 dB(A)

Vibrace působící na ruce a paže

Uvedená charakteristická hodnota vibrací dle EN 12096:	
Naměřená hodnota	
a_{hw}	4,10 m/s ²
Nejistota měření K_{hw}	2,05 m/s ²
Měření podle EN 20643	

RM 448.0 PC, RM 448.0 PT, RM 448.0 T, RM 448.0 TC, RM 448.0 TX, RM 448.0 VC:

Sériové identifikační číslo	6358
Šířka záběru při sečení	46 cm

RM 448.0 PC:

Spalovací motor: Výrobce, typ	Briggs & Stratton, Series 625
Zdvihový objem	150 ccm
Jmenovitý výkon při jmenovitých otáčkách	2,2 - 2800 kW - ot./min
Palivová nádrž	0,8 l
Otáčky rotačního nože	2800 ot./min
Pohon kol	jednostupňový vpřed s pozvolným rozběhem
Délka	147 cm
Šířka	50 cm
Výška	113 cm
Hmotnost	27 kg

Emise hluku

Podle směrnice 2000/14/EC:

Zaručená hladina
akustického výkonu
 L_{WA_d} 96 dB(A)

Podle směrnice 2006/42/EC:

Hladina akustického
tlaku na pracovišti
 L_{pA} 83 dB(A)
Nejistota měření K_{pA} 2 dB(A)

Vibrace působící na ruce a paže

Uvedená charakteristická hodnota vibrací
dle EN 12096:

Naměřená hodnota
 a_{hw} 3,00 m/s²
Nejistota měření K_{hw} 1,50 m/s²

Měření podle EN 20643

RM 448.0 PT:

Spalovací motor: Briggs &
Výrobce, typ Stratton, Series
625

Zdvihový objem 150 ccm

Jmenovitý výkon při
jmenovitých 2,2 - 2800
otáčkách kW - ot./min

Palivová nádrž 0,8 l

Otáčky rotačního
nože 2800 ot./min

Pohon kol jednostupňový
vpřed
s pozvolným
rozběhem

Délka 147 cm

Šířka 50 cm

Výška 111 cm

Hmotnost 27 kg

Emise hluku

Podle směrnice 2000/14/EC:

Zaručená hladina
akustického výkonu
 L_{WA_d} 96 dB(A)

Podle směrnice 2006/42/EC:

Hladina akustického
tlaku na pracovišti
 L_{pA} 83 dB(A)
Nejistota měření K_{pA} 2 dB(A)

Vibrace působící na ruce a paže

Uvedená charakteristická hodnota vibrací
dle EN 12096:

Naměřená hodnota
 a_{hw} 3,90 m/s²
Nejistota měření K_{hw} 1,95 m/s²

Měření podle EN 20643

RM 448.0 T:

Spalovací motor: Briggs &
Výrobce, typ Stratton, Series
575

Zdvihový objem 140 ccm

Jmenovitý výkon při
jmenovitých 2,1 - 2800
otáčkách kW - ot./min

Palivová nádrž 0,8 l

Otáčky rotačního
nože 2800 ot./min

Pohon kol jednostupňový
vpřed
s pozvolným
rozběhem

Délka 147 cm

Šířka 50 cm

Výška 111 cm

Hmotnost 26 kg

Emise hluku

Podle směrnice 2000/14/EC:

Zaručená hladina
akustického výkonu
 L_{WA_d} 96 dB(A)

Podle směrnice 2006/42/EC:

Hladina akustického
tlaku na pracovišti
 L_{pA} 83 dB(A)
Nejistota měření K_{pA} 2 dB(A)

Vibrace působící na ruce a paže

Uvedená charakteristická hodnota vibrací
dle EN 12096:

Naměřená hodnota
 a_{hw} 3,90 m/s²
Nejistota měření K_{hw} 1,95 m/s²

Měření podle EN 20643

RM 448.0 TC:

Spalovací motor: Briggs &
Výrobce, typ Stratton, Series
575

Zdvihový objem 140 ccm

Jmenovitý výkon při
jmenovitých 2,1 - 2800
otáčkách kW - ot./min

Palivová nádrž 0,8 l

Otáčky rotačního
nože 2800 ot./min

Pohon kol jednostupňový
vpřed
s pozvolným
rozběhem

Délka 147 cm

Šířka 50 cm

Výška 113 cm

Hmotnost 27 kg

Emise hluku

Podle směrnice 2000/14/EC:

Zaručená hladina
akustického výkonu
 L_{WA_d} 96 dB(A)

Podle směrnice 2006/42/EC:

Hladina akustického
tlaku na pracovišti
 L_{pA} 83 dB(A)

Nejistota měření K_{pA} 2 dB(A)

Vibrace působící na ruce a paže

Uvedená charakteristická hodnota vibrací dle EN 12096:

Naměřená hodnota

a_{hw} 3,50 m/s²

Nejistota měření K_{hw} 1,75 m/s²

Měření podle EN 20643

RM 448.0 TX:

Spalovací motor: Briggs & Stratton, Series 550 EX OHV RS
Výrobce, typ

Zdvihový objem 140 ccm

Jmenovitý výkon při jmenovitých otáčkách 2,1 - 2800 kW - ot./min

Palivová nádrž 0,8 l

Otáčky rotačního nože 2800 ot./min

Pohon kol jednostupňový vpřed s pozvolným rozběhem

Délka 147 cm

Šířka 50 cm

Výška 111 cm

Hmotnost 26 kg

Emise hluku

Podle směrnice 2000/14/EC:

Zaručená hladina akustického výkonu

L_{WAd} 96 dB(A)

Podle směrnice 2006/42/EC:

Hladina akustického tlaku na pracovišti

L_{pA} 83 dB(A)

Nejistota měření K_{pA} 2 dB(A)

Vibrace působící na ruce a paže

Uvedená charakteristická hodnota vibrací dle EN 12096:

Naměřená hodnota

a_{hw} 4,10 m/s²

Nejistota měření K_{hw} 2,05 m/s²

Měření podle EN 20643

RM 448.0 VC:

Spalovací motor: Briggs & Stratton, Series 625
Výrobce, typ

Zdvihový objem 150 ccm

Jmenovitý výkon při jmenovitých otáčkách 2,2 - 2800 kW - ot./min

Palivová nádrž 0,8 l

Otáčky rotačního nože 2800 ot./min

Pohon kol Vario, přední

Délka 147 cm

Šířka 50 cm

Výška 113 cm

Hmotnost 28 kg

Emise hluku

Podle směrnice 2000/14/EC:

Zaručená hladina akustického výkonu

L_{WAd} 96 dB(A)

Podle směrnice 2006/42/EC:

Hladina akustického tlaku na pracovišti

L_{pA} 83 dB(A)

Nejistota měření K_{pA} 2 dB(A)

Vibrace působící na ruce a paže

Uvedená charakteristická hodnota vibrací dle EN 12096:

Naměřená hodnota

a_{hw} 3,00 m/s²

Nejistota měření K_{hw} 1,50 m/s²

Měření podle EN 20643

18.1 REACH

REACH je označení pro příslušné nařízení ES k registraci, hodnocení a schvalování chemikálií.

Informace o splnění podmínek nařízení REACH (ES) č. 1907/2006 jsou uvedeny na stránkách www.stihl.com/reach.

19. Hledání závad

✖ Případně se obraťte na odborného prodejce, STIHL doporučuje odborného prodejce STIHL.

📖 viz návod k použití spalovacího motoru.

Závada:

Spalovací motor nespouští.

Možná příčina:

- Není stlačena páka pro zastavení motoru.
- V nádrži není palivo; palivové potrubí je ucpané.
- V nádrži je špatné, znečištěné nebo staré palivo.
- Vzduchový filtr je znečištěný.
- Nástrčka zapalovací svíčky je odpojena ze zapalovací svíčky; kabel zapalování je v zástrčce špatně upevněn.
- Znečištěná nebo poškozená zapalovací svíčka; nesprávná vzdálenost elektrod.

Jak odstranit problém:

- Páku pro zastavení motoru přitlačte k vodícímu držadlu a podržte ji. (⇒ 9.2)
- Doplňte palivo; vyčistěte palivové potrubí. ✖

- Používejte vždy čerstvé značkové palivo, bezolovnatý benzín; vyčistěte karburátor. ✘
- Vyčistěte vzduchový filtr. ✘
- Nasuňte nástrčku zapalovací svíčky; zkontrolujte správné spojení mezi kabelem zapalování a zástrčkou. ✘
- Vyčistěte nebo vyměňte zapalovací svíčku; upravte vzdálenost elektrod. ✘

Závada:

Obtížné spouštění nebo pokles výkonu spalovacího motoru.

Možná příčina:

- Ucpaná žací skříň sekačky.
- Sečení s příliš nízkou výškou sečení, resp. s příliš vysokou rychlostí pojezdu při sečení v poměru k výšce sečení.
- V palivové nádrži a v karburátoru je voda; je ucpáný karburátor.
- Znečištěná palivová nádrž.
- Znečištěný vzduchový filtr.
- Zanesená zapalovací svíčka.

Jak odstranit problém:

- Vyčistěte žací skříň sekačky (před čištěním vytáhněte nástrčku zapalovací svíčky!). (⇒ 12.3)
- Nastavte vyšší stupeň výšky sečení, resp. snižte rychlost pojezdu. (⇒ 8.4)
- Vyprázdněte palivovou nádrž, vyčistěte palivové potrubí a karburátor. ✘
- Vyčistěte palivovou nádrž. ✘
- Vyčistěte vzduchový filtr. ✘
- Vyčistěte zapalovací svíčku. ✘

Závada:

Vysoká teplota spalovacího motoru.

Možná příčina:

- Příliš málo oleje ve spalovacím motoru.
- Zanesená chladicí žebra.

Odstranění:

- Vyměňte motorový olej. (⇒ 7.6)

- Vyčistěte chladicí žebra. (⇒ 12.3)

Závada:

Silné vibrace během provozu.

Možná příčina:

- Vadné řezné ústrojí.
- Uvolněné upevnění spalovacího motoru.

Odstranění:

- Zkontrolujte žací nůž, nožový hřidel a upevnění nože (šroub nože a pojistnou podložku), příp. je opravte. ✘
- Dotáhněte šrouby upevnění spalovacího motoru. ✘

Závada:

Nerovný povrch posečeného trávníku, trávník žlutne.

Možná příčina:

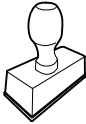
- Otupený nebo opotřebovaný žací nůž

Jak odstranit problém:

- Žací nůž naostřete nebo vyměňte (⇒ 12.6), (⇒ 12.5), ✘

20. Servisní plán

20.1 Potvrzení předání

Model:	_____
Sériové číslo:	<input type="text"/> <input type="text"/> <input type="text"/> <input type="text"/> <input type="text"/> <input type="text"/> <input type="text"/> <input type="text"/> <input type="text"/> <input type="text"/>
Datum:	<input type="text"/> <input type="text"/> <input type="text"/> <input type="text"/> <input type="text"/> <input type="text"/>
	
Další servis	
Datum:	<input type="text"/> <input type="text"/> <input type="text"/> <input type="text"/> <input type="text"/> <input type="text"/>

20.2 Potvrzení servisu



Při provádění údržbářských prací odevzdejte tento návod k použití Vašemu odbornému prodejci STIHL. Ten pak do předtištěných polí potvrdí provedení servisních prací.

Servis proveden dne

Datum dalšího servisu

Cienītais klient, cienījamā kliente!

Mēs priecājamies, ka esat izvēlējis STIHL. Mēs attīstām un ražojam savus augstākās kvalitātes izstrādājumus atbilstoši savu klientu prasībām. Šādi rodas izstrādājumi, kas ir īpaši uzticami arī smagos apstākļos.

STIHL nodrošina arī augstāko servisa kvalitāti. Mūsu tirgotāji garantē profesionālas konsultācijas un apmācību, kā arī visaptverošu tehnisku apkalpošanu.

Pateicamies par uzticību un novēlam izbaudīt darbu ar STIHL produktu!

Dr. Nikolas Stihl

SVARĪGI! PIRMS LIETOŠANAS IZLASIET UN SAGLABĀJIET.

1. Satura rādītājs

Par šo lietošanas pamācību	174	Abpusējā vadības roktura salocīšana (RM 443, RM 443 T, RM 448 PT, RM 448 T, RM 448 TX)	183
Vispārīga informācija	174	Zāles savācējgrozs	184
Norādījumi lietošanas pamācības lasīšanai	174	Centrālā pļaušanas augstuma regulēšana	184
Ierīces apraksts	174	Savāktās zāles daudzuma indikators	184
Jūsu drošībai	175	Drošības ierīces	184
Vispārīga informācija	175	Drošības aprīkojums	184
Degvielas iepilde – rīcība ar benzīnu	176	Motora apstādināšanas rokturis	184
Apģērbs un aprīkojums	176	Norādījumi par darbu	184
Ierīces transportēšana	176	Lietotāja darba zona	185
Pirms darba	177	Ierīces sagatavošana darbam	185
Darba laikā	177	Iekšdedzes motora iedarbināšana	185
Apkope un remonts	179	Iekšdedzes motora izslēgšana	185
Uzglabāšana ilgākos ekspluatācijas starplaikos	180	Piedziņa (RM 443 T, RM 448 PC, RM 448 PT, RM 448 T, RM 448 TX, RM 448 TC, RM 448 VC)	185
Utilizācija	180	Zāles savācējgroza iztukšošana	185
Simbolu apraksts	181	Apkope	186
Piegādes komplekts	181	Vispārīga informācija	186
Ierīces sagatavošana darbam	182	Iekšdedzes motors	186
Vispārīga informācija	182	Ierīces tīrīšana	186
Vienpusējā vadības roktura montāža (RM 448 PC, RM 448 TC, RM 448 VC)	182	Nažu nodiluma pārbaude	187
Abpusējā vadības roktura montāža (RM 443, RM 443 T, RM 448 PT, RM 448 T, RM 448 TX)	182	Pļaušanas naža izņemšana un ievietošana	187
Zāles savācējgroza montāža	182	Pļaušanas naža asināšana	187
Startera troses pievienošana un atvienošana	182	Glabāšana un dīkstāve (ziemā)	187
Degviela un motoreļļa	183	Transportēšana	188
Vadības elementi	183	Transportēšana	188
Vienpusējā vadības roktura regulēšana (RM 448 PC, RM 448 TC, RM 448 VC)	183	Vides aizsardzība	188
		Nodiluma samazināšana un bojājumu novēršana	188
		Parastās rezerves daļas	189
		ES atbilstības deklarācija	189

Ar benzīnu darbināmi zālesplāvēji (STIHL RM)	189
Tehniskie parametri	190
REACH	193
Darbības traucējummeklēšana	193
Apkopes grafiks	194
Nodošanas apstiprinājums	194
Apkopes apstiprinājums	194

2. Par šo lietošanas pamācību

2.1 Vispārīga informācija

Šī lietošanas pamācība ir ražotāja **oriģinālā lietošanas pamācība** saskaņā ar EK Direktīvu 2006/42/EC.

STIHL nepārtraukti pilnveido piedāvātos produktus. Tāpēc mēs saglabājam tiesības veikt piegādes komplekta izmaiņas, kas attiecas uz produkta formu, tehniku un aprīkojumu.

Tādējādi nevar izvīzīt nekādas prasības, atsaucoties uz šajā brošūrā minētajiem datiem un attēliem.

Šajā lietošanas pamācībā ir aprakstīti iespējamie modeļi, kuri nav pieejami visās valstīs.

Šī lietošanas pamācība ir aizsargāta ar autortiesībām. Visas tiesības ir aizsargātas, it īpaši tiesības uz pavairošanu, tulkošanu un apstrādi elektroniskās sistēmās.

2.2 Norādījumi lietošanas pamācības lasīšanai

Attēli un teksti raksturo noteiktus rīcības soļus.

Šajā lietošanas pamācībā ir paskaidrojumi visiem attēlu simboliem, kas atrodami uz ierīces.

Skatīšanās virziens

Lietošanas pamācībā norādītais skatīšanās virziens „**pa kreisi**” un „**pa labi**”: lietotājs stāv aiz ierīces un skatās uz priekšu braukšanas virzienā.

Norādes uz nodaļām

Bultiņas norāda uz attiecīgajām nodaļām un apakšnodaļām, kur ir detalizētāks skaidrojums. Šajā piemērā ir norāde uz nodaļu: (⇒ 4.)

Teksta fragmentu marķējums

Aprakstītie norādījumi var būt apzīmēti vairākos veidos.

Rīcības soļi ar norādi lietotājam veikt kādu darbību:

- ar skrūvgriezi atskrūvējiet skrūvi (1), nospiediet rokturi (2)...

Vispārīgs uzskaitījums:

- produkta izmantošana sporta vai sacensību pasākumos.

Teksti ar papildu nozīmi

Lai īpaši izceltu teksta fragmentus ar papildu nozīmi, lietošanas pamācībā tiem pievienots kāds no simboliem.



Bīstami!

Iespējami negadījumi, var smagi savainoties. Jāveic konkrētas darbības vai jāizvairās no tām.



Brīdinājums!

Iespējams savainoties. Noteikts rīcības veids pasargā no iespējamās vai paredzamās savainojumu gūšanas.



Uzmanību!

Brīdina par viegliem savainojumiem vai materiāliem zaudējumiem, kuru rašanos var novērst, veicot konkrētas darbības.



Norādījums

Informācija par labāku ierīces izmantošanu un iespējami nepareizas lietošanas novēršanu.

Teksti, kas saistīti ar attēliem

Attēli, kuros paskaidrota ierīces lietošana, ir sniegti lietošanas pamācības sākumā.

Kameras simbols tiek izmantots, lai attēlu lappusēs redzamos attēlus sasaistītu ar attiecīgo šīs lietošanas pamācības teksta daļu.



3. Ierīces apraksts



- 1 Motora apstādīšanas rokturis
- 2 Piedziņas svira (RM 443 T, RM 448 PC, RM 448 PT, RM 448 T, RM 448 TX, RM 448 TC, RM 448 VC)
- 3 Regulējamās piedziņas svira (RM 448 VC)
- 4 Vadības roktura augšējā daļa
- 5 Startera trose
- 6 Ātrais fiksators (RM 443, RM 443 T, RM 448 PT, RM 448 T, RM 448 TX)
- 7 Vadības roktura apakšējā daļa (RM 443, RM 443 T, RM 448 PT, RM 448 T, RM 448 TX)
- 8 Iekšdedzes motors
- 9 Trokšņa slāpētājs ar aizsargrežģi
- 10 Aizdedzes atslēgas kontaktspraudnis

- 11 Priekšējais balsta rokturis
- 12 Priekšējais ritenis
- 13 Aizmugurējais ritenis
- 14 Zāles savācējgrozs
- 15 Aizmugures balsta rokturis
- 16 Pļaušanas augstuma regulēšanas svira
- 17 Jaudas plāksnīte ar ierīces numuru
- 18 Vadības roktura konsole (RM 448 PC, RM 448 TC, RM 448 VC)
- 19 Vadības roktura fiksācijas svira (RM 448 PC, RM 448 TC, RM 448 VC)

4. Jūsu drošībai

4.1 Vispārīga informācija



Strādājot ar šo ierīci, nelaimes gadījumu novēršanas nolūkos noteikti jāievēro šie priekšraksti.



Pirms pirmās nodošanas ekspluatācijā uzmanīgi izlasiet visu lietošanas pamācību.

Glabājiet lietošanas pamācību, lai to varētu izmantot vēlāk.

Ievērojiet ekspluatācijas un apkopes noteikumus, kas ietverti atsevišķajā iekšdedzes motora lietošanas pamācībā.

Šie drošības pasākumi ir nepieciešami jūsu drošībai, tomēr to uzskaitījums nav pilnīgs. Vienmēr izmantojiet ierīci saprātīgi un atbildīgi. Atcerieties, ka ierīces lietotājs ir atbildīgs par negadījumiem, kas var notikt ar citām personām vai to īpašumu.

Izpētiet ierīces sastāvdaļas un ierīces lietošanu.

Ierīci atļauts izmantot tikai personām, kas izlasījušas lietošanas pamācību un iepazinušās ar ierīces lietošanu. Pirms ekspluatācijas uzsākšanas lietotājam jāsaņem profesionāla un praktiska apmācība. Lietotājam jāsaņem norādījumi no pārdevēja vai cita speciālista par ierīces drošu lietošanu.

Apmācības laikā lietotājam īpaši jāpaskaidro, ka darbam ar ierīci nepieciešama liela rūpība un koncentrēšanās.

Pat ja lietojat šo ierīci saskaņā ar norādījumiem, vienmēr pastāv risks.



Nosmakšanas risks!

Ja bērni spēlējas ar iesaiņojuma materiālu, pastāv nosmakšanas risks. Neglabājiet iesaiņojuma materiālu bērniem pieejamā vietā.

Ierīci un tās pierīces drīkst nodot (aizdot) tikai tām personām, kas vispusīgi pārzina šo modeli un tā lietošanu. Lietošanas pamācība ir ierīces sastāvdaļa, un tā vienmēr jānodod kopā ar ierīci.

Izmantojiet ierīci, kad esat pietiekami atpūties un esat labā fiziskajā vai garīgajā stāvoklī. Ja jums ir veselības problēmas, konsultējieties ar ārstu, vai iespējams strādāt ar ierīci. Ar šo ierīci nedrīkst strādāt pēc alkohola, reakcijas spējas samazinošu medikamentu vai narkotiku lietošanas.

Bērniem un personām ar fiziskās, maņu vai garīgās attīstības traucējumiem vai personām, kurām nav pieredzes un zināšanu šādu ierīču lietošanā, vai personām, kuras nav izlasījušas lietošanas pamācību, nav atļauts lietot ierīci.

Neļaujiet ierīci lietot bērniem vai jauniešiem, kas jaunāki par 16 gadiem. Vietējos noteikumos var būt nosacīts minimālais ierīces lietotāja vecums.

Ierīce paredzēta tikai personiskai lietošanai.

Uzmanību – negadījumu risks!

Zāles plāvējs ir paredzēts tikai zāles pļaušanai. Izmantošana citiem mērķiem nav atļauta, var būt bīstama un izraisīt ierīces bojājumus.

Tā kā lietotājs var gūt miesas bojājumus, zāles plāvēju nedrīkst izmantot vairākiem mērķiem (nepilnīgs uzskaitījums):

- krūmu, dzīvzogu un krūmāju apgriešanai;
- augu stīgu apgriešanai;
- zālāja kopšanai jumta terašu un balkonu apstādījumos;
- koku un dzīvzogu atgriezumam sagatavošanai un smalcināšanai;
- ceļu tīrīšanai (nosūkšanai, aizpūšanai);
- zemes pacēlumam, piemēram, kurmju rakumu, nolīdzināšanai;
- nopļautās zāles transportēšanai, izņemot gadījumus, ja to veic tam paredzētajā zāles savācējgrozā.

Drošības apsvērumu dēļ ir aizliegts veikt ierīces izmaiņas, izņemot noteikumiem atbilstošu piederumu montāžu, ko atļauj uzņēmums STIHL; turklāt šādas darbības pārtrauc garantijas darbību. Informāciju par pieļautajiem piederumiem varat saņemt no STIHL specializētā izplatītāja.

Īpaši ir aizliegtas jebkādas izmaiņas ierīcē, kas palielina tās jaudu vai iekšdedzes motora vai elektromotora apgriezienu skaitu.

Izmantojot ierīci, aizliegts transportēt priekšmetus, dzīvniekus un personas, jo īpaši bērnus.

Izmantojot ierīci publiskās vietās, parkos, sporta laukumos, ielu malās, lauksaimniecības un mežsaimniecības uzņēmumos, jāievēro īpaša piesardzība.



Uzmanību! Vibrāciju izraisīts kaitējums veselībai!

Pārāk liela slodze, ko rada vibrācijas, var izraisīt asinsrites vai nervu sistēmas darbības traucējumus, jo īpaši cilvēkiem ar asinsrites problēmām. Ja jums parādās simptomi, kuru iemesls var būt vibrāciju radītā slodze, dodieties pie ārsta.

Šie simptomi lielākoties rodas pirkstos, rokās vai roku locītavās un var izpausties šādi (uzskaitījums ir nepilnīgs):

- sajūtu zudums;
- sāpes;
- vājums muskuļos;
- izmaiņas ādas krāsā;
- nepatīkama kņudoņa.

Darba laikā cieši (bet ne pārmērīgi stingri) turiet vadības rokturi tam paredzētajās vietās ar abām rokām.

Saplānojiet darbu tā, lai nebūtu ilglaicīga smaga slodze.

4.2 Degvielas iepilde – rīcība ar benzīnu



Draudi dzīvībai!

Benzīns ir indīgs un ļoti ātri uzliesmojošs.

Benzīnu glabājiet tikai tam paredzētās un pārbaudītās tvertnēs (kannās). Degvielas tvertņu vāciņus vienmēr uzskrūvējiet un pievelciet. Bojāti vāciņi drošības apsvērumu dēļ ir jānomaina.

Dzērienu pudeles vai tamlīdzīgas tvertnes neizmantojiet ekspluatācijas materiālu, piemēram, degvielas, utilizēšanai vai uzglabāšanai. Kāds – īpaši bērns – no tās var padzerties.



Benzīnu neglabājiet dzirksteļu, atklātas liesmas, ilgstošu liesmu, siltuma avotu un citu aizdegšanās avotu tuvumā.

Nesmēķēt!

Uzpildiet degvielu tikai ārpus telpām un uzpildes laikā nesmēķējiet.

Pirms degvielas uzpildīšanas apstādiniet iekšdedzes motoru un ļaujiet tam atdzist.

Benzīns jāuzpilda pirms iekšdedzes motora iedarbināšanas. Kamēr darbojas iekšdedzes motors vai kamēr ierīce ir karsta, nedrīkst atvērt degvielas tvertnes vāciņu vai pieliet benzīnu.

Nepārpildiet degvielas tvertni!

Lai atstātu vietu, kur degvielai izplesties, vienmēr piepildiet degvielas tvertni tikai līdz iepildes īscaurules apakšmalai. Ņemiet vērā papildu norādījumus iekšdedzes motora lietošanas pamācībā.



Ja pārplūdis benzīns, iekšdedzes motoru iedarbiniet tikai tad, kad notīrīta ar benzīnu nolietā virsma. Līdz benzīna tvaiku izgarošanai jānovērš aizdegšanās iespēja (jānoslauka).

Izlijusi degviela vienmēr ir jānoslauka.

Ja uz apģērba izšļakstījies benzīns, apģērbs jānomaina.

Nekad neuzglabājiet ierīci telpās, ja tās degvielas tvertnē ir benzīns. Benzīna tvaiki var nonākt saskarē ar atklātu liesmu vai dzirkstelēm un uzliesmot.

Ja tvertne jāiztukšo, dariet to ārpus telpām.

4.3 Apģērbs un aprīkojums



Darba laikā vienmēr nēsājiet stingrus apavus ar neslīdošām zolēm. Nekad nestrādājiet bez apaviem vai, piemēram, sandalēs.



Apkopes darbu veikšanas un ierīces transportēšanas laikā vienmēr valkājiet ciešus cimdus, sasieniet un aplēpiet garus matus (ar lakatu, cepuri utt.).



Asinot pļaušanas asmeni, uzlieciet piemērotas aizsargbrilles.

Ierīci atļauts lietot tikai tad, ja lietotājs valkā garas bikses un piegulošu apģērbu.

Nekad nenēsājiet plandošu apģērbu, kas var aptīties ap kustīgām pļāvēja daļām (vadības sviru) – nenēsājiet arī rotaslietas, kaklasaites un šalles.



Darba laikā rodas troksnis. Troksnis var kaitēt dzirdei.

Lietojiet dzirdes aizsardzību.

4.4 Ierīces transportēšana

Strādājiet tikai cimdus, lai izvairītos no savainojumiem, ko var izraisīt asas un karstas ierīces daļas.

Netransportējiet ierīci, ja iekšdedzes motors ir ieslēgts. Pirms transportēšanas izslēdziet iekšdedzes motoru, ļaujiet nažiem apstāties, atvienojiet aizdedzes atslēgas kontaktspraudni.

Ierīci transportējiet tikai ar atdzesētu iekšdedzes motoru un iztukšotu degvielas tvertni.

Lietojiet atbilstošus iekraušanas palīg līdzekļus (iekraušanas rampas, pacelšanas ierīces).

Ierīci un tās transportējamās detaļas (piemēram, zāles savācējgrozu) uz kravas platformas nostipriniet ar pareizi izvietotiem stiprinājuma līdzekļiem (siksniem, trosēm utt.).

Paceļot un pārnesot ierīci, izvairieties pieskarties plaušanas asmenim.

Īpaši ievērojiet norādes sadaļā „Transportēšana”. Tajā aprakstīts, kā iekārta jāpaceļ vai jānostiprina. (⇒ 13.)

Ierīces transportēšanas laikā ievērojiet vietējos noteikumus, jo īpaši noteikumus attiecībā uz kravas drošību un priekšmetu transportēšanu uz kravas platformām.

4.5 Pirms darba

Pārliedzinieties, vai ierīci izmanto tikai tādas personas, kas ir izlasījušas lietošanas pamācību.

Pirms ierīces lietošanas pārbaudiet, vai degvielas sistēmā nav sūču, īpašu uzmanību pievērsiet redzamajām daļām, piemēram, degvielas tvertnei, tās vāciņam un cauruļu savienojumiem. Ja manāmas sūces vai bojājumi, neiedarbiniet iekšdedzes motoru – **pastāv ugunsbīstamība!**

Pirms ierīces lietošanas tā jāpārbauda specializētajam izplatītājam.

Ievērojiet vietējās pašvaldības noteikto dārza tehnikas ar iekšdedzes motoru vai elektromotoru lietošanas laiku.

Pilnībā pārbaudiet teritoriju, kur ierīce tiks izmantota, un atbrīvojiet to no akmeņiem, zariem, stieplēm, kauliem un citiem svešķermeņiem, ko zāles plāvējs varētu uzvest gaisā. Šķēršļus (piem., celmus, koku saknes) garā zālē var nemaz nepamanīt.

Tāpēc pirms darba ar ierīci atzīmējiet visus zālājā paslēptos objektus (šķēršļus), ko nav iespējams pārvietot.

Pirms ierīces lietošanas nomainiet visas nederīgās, nolietotās un bojātās detaļas. Ja uz ierīces esošie bīstamības un brīdinājuma norādījumi ir bojāti vai nav salasāmi, tie ir jāatjauno. Jaunas uzlīmes un citas rezerves detaļas varat iegādāties no STIHL specializētā izplatītāja.

Pirms ierīces lietošanas pārbaudiet, vai aizdedzes atslēgas kontaktspraudnis ir cieši un droši nostiprināts uz aizdedzes sveces.

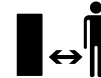
Izmantojiet ierīci tikai lietošanai drošā stāvoklī. Pirms lietošanas sākšanas katreiz pārbaudiet:

- vai ierīce ir montēta atbilstoši noteikumiem;
- vai griešanas darbarīks un plaušanas mehānisms kopumā (plaušanas nazis, stiprinājuma elementi, plaušanas mehānisma korpus) ir nevainojamā stāvoklī; īpaši pārliedzinieties, vai visi elementi ir droši nostiprināti, nav bojāti (bez robiem vai plaisām) un nodiluši;(⇒ 12.4)
- vai tvertnes vāciņš ir uzskrūvēts pareizi;
- vai degvielas tvertne un tās padeves daļas, kā arī tvertnes vāks ir nevainojamā tehniskā stāvoklī;

- vai drošības iekārtas (piem., motora apstādināšanas rokturis, izmešanas vāks, korpus, vadības rokturis, aizsargrežģis) ir nevainojamā tehniskā stāvoklī un darbojas atbilstīgi priekšrakstiem;
- vai zāles savācējgrozs nav bojāts un vai tas ir pilnībā montēts; aizliegts izmantot bojātu zāles savācējgrozu;
- vai eļļas regulēšanas skrūve uzskrūvēta pareizi.

Ja nepieciešams, visus nepieciešamos darbus lūdziet veikt specializētajam izplatītājam. STIHL iesaka STIHL specializēto izplatītāju.

4.6 Darba laikā



Nekad nestrādājiet, ja bīstamajā zonā atrodas dzīvnieki vai personas, jo īpaši bērni.

Ierīcē uzstādīto ieslēgšanas un drošības aprīkojumu nedrīkst noņemt, kā arī nedrīkst apiet tā funkcijas. Motora apstādināšanas rokturi nepiestipriniet stūres stienim (piem., piesienot).



Uzmanību – iespējams savainoties!

Nekad nelieciet rokas vai kājas virs, zem vai pie rotējošām detaļām. Nekad neaizskariet rotējošo asmeni. Nekad nestāviet pie izmešanas atveres.

Vienmēr ievērojiet drošības attālumu, ko nosaka vadības roktura novietojums. Vadības rokturim vienmēr jābūt montētam pareizi, un šo pozīciju nedrīkst mainīt. Nelietojiet ierīci ar salocītu vadības rokturi.

Pie vadības roktura nekad nepiestipriniet priekšmetus (piemēram, darba apģērbu).

Strādājiet tikai dienas gaismā vai labā mākslīgā apgaismojumā.

Nestrādājiet ar ierīci lietus un negaisa laikā, jo īpaši, ja pastāv zibens spēriena risks.

Ja pamatne ir mitra, samazinātas stabilitātes dēļ palielinās nelaiemes gadījumu risks.

Strādājiet īpaši piesardzīgi, lai novērstu paslīdēšanu. Ja iespējams, izvairieties no ierīces izmantošanas uz mitras pamatnes.

Izplūdes gāzes



Draudi dzīvībai saindēšanās dēļ!

Nelabuma, galvassāpju, redzes traucējumu (piemēram, samazināta redzes lauka), dzirdes traucējumu, reiboņa, atslābstošu koncentrēšanās spēju gadījumā nekavējoties pārtrauciet darbu. Šo simptomu rašanos var izraisīt arī pārāk augsta izplūdes gāzu koncentrācija gaisā.



Līdzko iekšdedzes motors darbojas, ierīce rada indīgus gāzu izmešus. Šīs gāzes satur indīgu oglekļa monoksīdu, bezkrāsainu gāzi bez smaržas, kā arī citas kaitīgas vielas. Nekad nedarbiniet iekšdedzes motoru slēgtās vai slikti vēdinātās telpās!

Iedarbināšana

Iedarbiniet ierīci uzmanīgi – ievērojiet norādījumus nodaļā „Ierīces ekspluatācijas sākšana” (⇒ 11.). Ievērojot šos norādījumus, tiek samazināts savainošanās risks.

Savainošanās risks!

Kad startera trose ātri atgriežas sākuma pozīcijā, roka tiek vilkta iekšdedzes motora

virzienā, jo startera trosi nevar atlaist pietiekami ātri. Šī atsitienu dēļ var rasties kaulu lūzumi, saspiedumi un sastiepumi.

Raugieties, lai iedarbināšanas brīdī attālums no kājām līdz griešanas darbarīkam būtu pietiekami liels.

Iedarbināšanas brīdī ierīce nedrīkst būt sagāzta.

Iedarbināšanas brīdī nospiediet piedziņas sviru!

Neidarbiniet iekšdedzes motoru, ja izmešanas kanālu nenosedz izmešanas vāks vai zāles savācējgrozs.

Ļāušana nogāzēs

Nogāzes vienmēr apstrādājiet pa diagonāli, nevis gareniski. Ja nogāzes gareniskās ļāušanas laikā lietotājs zaudē kontroli, zāles plāvējs var pārrīpot pāri lietotājam.

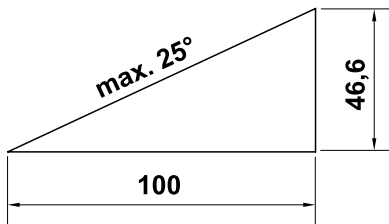
Īpaši piesargieties, ja braukšanas virzienu maināt nogāzē.

Gādājiet, lai ierīce vienmēr būtu stabila, un izvairieties strādāt pārāk stāvās nogāzēs.

Drošības dēļ ierīci nedrīkst lietot nogāzēs, kuru slīpums pārsniedz 25° (46,6 %).

Savainošanās risks!

25° nogāzes slīpums atbilst 46,6 cm vertikālam kāpumam 100 cm horizontālā garumā.



Lai nodrošinātu iekšdedzes motora pietiekamu eļļošanu, izmantojot ierīci nogāzēs, papildus jāievēro norādījumi iekšdedzes motora piegādes komplektācijā iekļautajā lietošanas pamācībā.

Ekspluatācija



Savainošanās risks!

Nekad nelieciet rokas vai kājas virs, zem vai pie rotējošām detaļām.



Nemēģiniet veikt asmens apskati, kamēr zāles plāvējs darbojas. Neatveriet izmešanas

vāku un/vai neiztukšojiet zāles savācējgrozu, kamēr zāles plāvējs darbojas. Rotējošais asmens var jūs savainot.

Ļaujiet tikai soļā ātrumā – darba laikā nepārvietojieties ātrāk. Ātri virzot ierīci, paaugstinās risks gūt traumas – pakļūpot, paslīdot utt.

Apgriežot ierīci vai velkot to sev klāt, piesargieties īpaši!

Jūs varat pakļūpt!

Nogāžu, pauguraina apvidus, kapu un ūdenstilpņu tuvumā izmantojiet ierīci īpaši piesardzīgi. Īpaši ievērojiet pietiekamu attālumu no iepriekš minētajiem nedrošajiem objektiem.

Zāles velēnā apslēpti objekti (zālāja laistīšanas ierīces, pāļi, ūdens vārsti, pamati, elektrības vadi utt.) ir jāapbrauc. Nekad nebrauciet pāri šādiem objektiem.



STOP

Nemiet vērā griešanas darbarīka brīvskrējieni; nepieciešamas dažas sekundes, līdz darbarīks ir pilnībā apstājies.

Izslēdziet iekšdedzes motoru, ļaujiet visiem darba instrumentiem apstāties un izvelciet aizdedzes atslēgas kontaktspraudni,

- ja atstājat ierīci vai tā netiek uzraudzīta;
- pirms degvielas uzpildīšanas; degvielu uzpildiet tikai tad, kad iekšdedzes motors ir atdzisis;
Ugunsbīstamība!
- pirms novēršat ierīces bloķēšanu vai aizsērējumu izmešanas kanālā;
- pirms ierīces pacelšanas vai pārnesšanas;
- pirms ierīces transportēšanas;
- pirms darbībām ar plaušanas nazi;
- pirms ierīces pārbaudes vai tīrīšanas, kā arī citu darbu veikšanas (piemēram, stūres roktura salocīšanas);
- ja tiek aizķerts svešķermenis vai zālesplāvējs sāk neparasti spēcīgi vibrēt. Šajos gadījumos pārbaudiet, vai ierīcei, jo īpaši griešanas mehānismam (nazim, naža vārpstai, nažu stiprinājumam), nav bojājumu, un nepieciešamības gadījumā veiciet nepieciešamos remontdarbus; tad atkal iedarbiniet ierīci un atsāciet tās ekspluatāciju.



Savainošanās risks!

Spēcīga vibrēšana parasti liecina par traucējumu. Zālesplāvēju nedrīkst lietot ar bojātu vai saliektu kloķvārpstu vai ar bojātu vai saliektu plaušanas nazi. Ja jums nav nepieciešamo zināšanu, lieciet remontu veikt speciālistam – STIHL iesaka savu specializēto izplatītāju.

Izslēdziet iekšdedzes motoru:

- ja velkat ierīci no apstrādājamās zālāja daļas vai uz to;
- pirms ierīci pārbīdāt uz platību, kas nav apaugusi ar zāli;
- pirms atverat izmešanas vāku vai noņemat zāles savācējgrozu;
- ja ierīci nepieciešams sasvērt, lai to transportētu;
- pirms plaušanas augstuma regulēšanas.

4.7 Apkope un remonts

Pirms tīrīšanas, regulēšanas, remonta un apkopes darbiem:

- novietojiet ierīci uz stingras, līdzenas pamatnes;
- apstādiniet iekšdedzes motoru un ļaujiet tam atdzist;
- izņemiet aizdedzes atslēgas kontaktspraudni.



Uzmanību – savainošanās risks!

Neļaujiet aizdedzes atslēgas kontaktspraudnim saskarties ar aizdedzes sveces, jo netīši radusies aizdedzes dzirkstele var izraisīt ugunsgrēku vai strāvas triecienu. Aizdedzes svecei neļaujiet saskaroties ar aizdedzes atslēgas kontaktspraudni, negaidīti var tikt iedarbināts iekšdedzes motors.



Ar plaušanas asmeni iespējams savainoties!

Pavelkot startera trosi, tiek iegriezts darba instruments. Velkot startera trosi, pārlicinieties, ka plaušanas asmens atrodas pietiekamā attālumā – īpaši no rokām un kājām.

Ļaujiet ierīcei atdzist un tikai tad sāciet darbus iekšdedzes motora, izpūtēja loka un trokšņa slāpētāju tuvumā. Temperatūra var būt 80°C un augstāka. **Iespējams apdedzināties!**

Tiešs kontakts ar motoreļļu var būt bīstams, turklāt motoreļļu nedrīkst sakratīt. Motoreļļas iepildi vai nomaīņu STIHL iesaka uzticēt STIHL specializētajam izplatītājam.

Tīrīšana

Pēc darba visu ierīci rūpīgi iztīriet. (⇒ 12.3)

Iztukšojiet degvielas tvertni (piemēram, darbinot, līdz beidzas benzīns) un tikai tad ierīci novietojiet tīrīšanas pozīcijā.

Pielipušos zāles atlikumus noskrubiniet ar koka nūju. Plāvēja apakšējo daļu tīriet ar suku un ūdeni.

Nekad neizmantojiet augstspiediena tīrītāju un nemazgājiet ierīci zem tekoša ūdens (piem., ar dārza šļūteni). Nelietojiet kodīgus tīrīšanas līdzekļus. Tie var bojāt plastmasu un metālus un tādējādi ietekmēt STIHL ierīces drošu lietošanu.

Lai novērstu ugunsbīstamību, attīriet dzesēšanas gaisa atveru, dzesējošo ribi un izplūdes gāzu zonu no, piemēram, zāles, siena, sūnām, lapām vai izplūdušas smērvielas.

Apkopes darbi

Lietotājs drīkst veikt tikai tos apkopes darbus, kas aprakstīti šajā lietošanas pamācībā; visus citus darbus lieciet veikt specializētam izplatītājam. Ja jums trūkst nepieciešamo zināšanu un palīg līdzekļu, **vienmēr** griezieties pie specializētā izplatītāja. STIHL iesaka apkopes un remonta darbu veikšanu uzticēt tikai STIHL

specializētajam izplatītājam. STIHL specializētie izplatītāji tiek regulāri apmācīti, un to rīcībā tiek nodota tehniskā informācija.

Lietojiet tikai instrumentus, piederumus vai pierīces, ko šai ierīcei atļāvis uzņēmums STIHL, vai arī tehniski līdzvērtīgas daļas. Pretējā gadījumā pastāv savainojumu gūšanas vai ierīces bojājumu risks. Ja rodas jautājumi, vērsieties pie specializētā izplatītāja.

STIHL oriģinālie instrumenti, piederumi un rezerves daļas, ņemot vērā to īpašības, ir optimāli pielāgotas ierīcei un lietotāja prasībām. Oriģinālās STIHL rezerves daļas var atpazīt pēc STIHL rezerves daļu kataloga numura, STIHL emblēmas un STIHL rezerves daļas apzīmējuma. Uz nelielām daļām var būt tikai apzīmējums.

Drošības apsvērumu dēļ degvielas padeves detaļas (degvielas cauruļvads, degvielas padeves krāns, degvielas tvertne, tvertnes vāciņš un savienojumi) regulāri jāpārbauda, vai tajos nav radušies bojājumi un neblīvas vietas, nepieciešamības gadījumā bojātie elementi jānomaina – tas jā dara speciālistam (STIHL iesaka STIHL specializētos tirgotājus).

Brīdinājuma un norādījumu uzlīmēm vienmēr jābūt tīrām un salasāmām. STIHL specializētajam izplatītājam ir jānomaina bojātas vai pazudušas uzlīmes ar jaunām oriģinālām uzlīmēm. Ja kāda no daļām tiek nomainīta ar jaunu daļu, raugieties, lai uz jaunās daļas būtu tādas pašas uzlīmes.

Darbus pie griešanas mehānisma veiciet tikai ar bieziem darba cimdiem, ievērojot vislielāko piesardzību.

Pārliedcinieties, vai visi uzgriežņi, tapas un skrūves – īpaši naža stiprinājuma skrūves – ir stingri pieskrūvētas, lai ierīces ekspluatācija būtu droša.

Regulāri un jo īpaši pirms novietošanas glabāšanā (piem., pirms ziemas sezonas), pārbaudiet, vai ierīces detaļas un zāles savācējgrozs nav nodilis vai bojāts. Drošības apsvērumu dēļ nolietojušās vai bojātās daļas nomainiet, lai ierīce vienmēr būtu drošā darba stāvoklī.

Nekad nemainiet iekšdedzes motora pamatiestatījumu un neforsējiet tā darbību.

Ja apkopes darbu veikšanas laikā ir noņemtas daļas vai aizsargierīces, pēc tam tās nekavējoties jāmontē atbilstoši norādēm.

4.8 Uzglabāšana ilgākos ekspluatācijas starplaikos

Pirms ierīces novietošanas slēgtā telpā ļaujiet atdzist tās iekšdedzes motoram.

Ierīci ar iztukšotu degvielas tvertni un degvielas rezerves tvertni uzglabājiet noslēdzamā un labi vēdināmā telpā.

Pārliedcinieties, vai ierīce ir aizsargāta pret neatļautu lietošanu (piem., bērniem).

Nekad neuzglabājiet ierīci telpās, ja tās degvielas tvertne ir benzīns. Benzīna tvaiki var nonākt saskarē ar atklātu liesmu vai dzirkstelēm un uzliesmot.

Ja tvertne ir jāiztukšo (piemēram, novietošanai dīkstāvē pirms ziemas perioda), tvertnes iztukšošanu ieteicams veikt ārpus telpām (piemēram, ļaujot dzinējam darboties, līdz beidzas degviela).

Pirms novietošanas glabāšanai (piem., pirms ziemas sezonas) ierīci rūpīgi iztīriet.

Iekārta uzglabājama tikai ar atvienotu aizdedzes sveces spraudni.

Glabājiet ierīci ekspluatācijai drošā stāvoklī.

Pirms ierīces apsegšanas ļaujiet tai pilnīgi atdzist.

4.9 Utilizācija

Atkritumi, piemēram, veca eļļa vai degviela, vecas smērvielas, filtri, akumulatori un līdzīgas dīkstāvēs daļas var radīt kaitējumu cilvēkiem, dzīvniekiem un apkārtējai videi, tāpēc tās jāutilizē atbilstīgi noteikumiem.

Vērsieties tuvākajā atkritumu otrreizējās pārstrādes centrā vai pie sava specializētā izplatītāja, lai uzzinātu, kā pareizi utilizēt atkritumvielas. STIHL iesaka STIHL specializēto izplatītāju.

Gādājiet, lai nolietotā ierīce tiktu utilizēta atbilstīgi noteikumiem. Pirms utilizēšanas ierīci padariet nelietojamu. Lai novērstu iespējamus nelaimes gadījumus, nogrieziet aizdedzes kabeli, iztukšojiet degvielas tvertni un nolējiet motoreļļu.

Iespējams savainoties ar plaušanas asmeni!

Arī nolietotu zāles plāvēju nekad neatstājiet bez uzraudzības. Gādājiet, lai iekārta un jo īpaši plaušanas asmens būtu bērniem nepieejamā vietā.

5. Simbolu apraksts



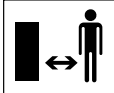
Uzmanību!

Pirms ekspluatācijas izlasiet lietošanas pamācību.



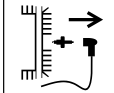
Savainošanās risks!

Neļaujiet nepiederīgām personām uzturēties bīstamajā zonā.



Savainošanās risks!

Pirms griešanas darbarīku remonta, apkopes un tīrīšanas atvienojiet aizdedzes atslēgas kontaktspraudni.



Savainojumu risks!

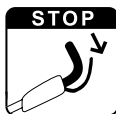
Turiet rokas un kājas atstatus no nažiem!



Pļaušanas mehānisms pēc izslēgšanas vēl dažas sekundes griežas (iekšdedzes motora/nažu bremzes).



RM 443, RM 443 T, RM 448 PT, RM 448 T, RM 448 TX:
Iekšdedzes motora iedarbināšana



RM 443, RM 443 T, RM 448 PT, RM 448 T, RM 448 TX:
Iekšdedzes motora izslēgšana



RM 443 T, RM 448 PT, RM 448 T, RM 448 TX:
Piedziņas ieslēgšana



RM 448 PC, RM 448 TC, RM 448 VC:
Iekšdedzes motora iedarbināšana



RM 448 PC, RM 448 TC, RM 448 VC:
Iekšdedzes motora izslēgšana



RM 448 PC, RM 448 TC, RM 448 VC:
Piedziņas ieslēgšana



RM 448 VC:
Braušanas ātruma iestatīšana (⇒ 11.3)

6. Piegādes komplekts



Poz.	Nosaukums	Skaits
A	Pamatierīce	1
B	Zāles savācējgroza augšējā daļa	1
C	Zāles savācējgroza apakšējā daļa	1
D	Tapa	2
-	Lietošanas pamācība	1
-	Lietošanas pamācība iekšdedzes motors	1

RM 443, RM 443 T, RM 448 PT, RM 448 T, RM 448 TX:

Poz.	Nosaukums	Skaits
E	Ātrais fiksators	2
F	Skrūve	2
G	Kabeļa vadotne	2
H	Aizsarguzmavas	2

RM 448 PC, RM 448 TC, RM 448 VC:

Poz.	Nosaukums	Skaits
I	Čaula	1
J	Skrūve	1
K	Paplāksne	2
L	Uzgrieznis	1

7. Ierīces sagatavošana darbam

7.1 Vispārīga informācija



Savainošanās risks

Ievērojiet drošības tehnikas noteikumus – skat. nodaļu „Jūsu drošībai” (⇒ 4.).

- Visu aprakstīto darbu veikšanas laikā iekārtu novietojiet stabili un uz līdzenas, stingras pamatnes.

7.2 Vienpusējā vadības roktura montāža (RM 448 PC, RM 448 TC, RM 448 VC)



- **1** Ievirziet čaulu (I) vadības roktura (1) urbumā.
- **2** Abas paplāksnes (K) ar izliekumu uz iekšu uzlieciet uz vadības roktura (1) čaulas.
- **3** Pieturiet čaulu (I) un paplāksnes (K) un kopā ar vadības rokturi (1) ievietojiet vadības roktura konsoles (2) stiprinājumā.
- **4** Skrūvi (J) no ārpuses uz iekšu ievietojiet pa vadības roktura (1) un vadības roktura konsoles (2) urbumiem.
- **5** Uzskrūvējiet uzgriežņus (L).
- **6** Pievelciet skrūvi (J). Pievilkšanas moments: **18 - 22 Nm**

Trošu montāža

- RM 448 PC, RM 448 TC:
Motora apstādināšanas trosi (3) un piedziņas trosi (4) ievietojiet vadības roktura konsoles un vadības roktura troses vadotnēs (6), kā parādīts attēlā.
RM 448 VC:
Motora apstādināšanas trosi (3), piedziņas trosi (4) un regulējamās piedziņas trosi (5) ievietojiet vadības roktura konsoles un vadības roktura troses vadotnēs (6), kā parādīts attēlā.

7.3 Abpusējā vadības roktura montāža (RM 443, RM 443 T, RM 448 PT, RM 448 T, RM 448 TX)



- Uzlieciet aizsarguzmavas (H) uz abām vadības roktura apakšējām daļām (1).
- Skrūvi (F) ievietojiet pa kabeļu vadotnes (G) urbumu.
- Vadības roktura augšējo daļu (2) turiet pie vadības roktura apakšējām daļām (1).
- Kreisā puse:
kabeļa vadotni (G) iekariet pie motora apstādināšanas troses (3).
- Labā puse (RM 443 T, RM 448 PT, RM 448 T, RM 448 TX):
kabeļa vadotni (G) iekariet pie piedziņas troses (4).
- Abās pusēs no iekšpuses uz āru ievietojiet skrūvi (F) urbumos.
- Ātros fiksatorus (E) uzskrūvējiet uz skrūvēm (F) (virs skrūves jāpaveļas aptuveni vienam vītnei gājienam) un atlieciet uz augšu.

- Pārbaudiet, vai montāža ir pareiza: ātrajiem fiksatoriem (E) jābūt nostiprinātiem tik stingri, lai tie cieši piekļautos pie vadības roktura un lai vadības roktura augšējā daļa būtu cieši savienota ar tā apakšējo daļu. Ja vadības rokturis nav stingri uzstādīts vai ātro fiksatoru pozīcija nav pareiza, atbrīvojiet ātros fiksatorus un pievelciet tā, ka tie ir stingri nostiprināti.

7.4 Zāles savācējgroza montāža



- Uzlieciet zāles savācējgroza augšējo daļu (B) uz tā apakšējās daļas (C). Ievērojiet pareizu pozīciju vadotnēs.
- Iespiediet tapas (D) no iekšpuses tām paredzētajās ligzdās.
- Mazliet piespiežot, nofiksējiet zāles savācējgroza augšējo daļu (B) tā apakšējā daļā.
- Iekariet zāles savācējgrozu (⇒ 8.3).

7.5 Startera troses pievienošana un atvienošana



Iekabināšana

- Atvienojiet aizdedzes atslēgas kontaktspraudni no iekšdedzes motora.
- Piespiediet motora apstādināšanas rokturi (1) pie vadības roktura un turiet.
- Lēnām izvelciet startera trosi (2).
- Atlaidiet motora apstādināšanas rokturi (1) un iekabiniet startera trosi (2) troses turētājā (3).
- Pievienojiet aizdedzes atslēgas kontaktspraudni.

Izkabināšana

- Atvienojiet aizdedzes atslēgas kontaktspraudni no iekšdedzes motora.
- Izkabiniet startera trosi (2) no troses vadotnes (3).

7.6 Degviela un motoreļļa



Nebojājiet ierīci!

Pirms pirmās iedarbināšanas iepildiet motoreļļu. Motoreļļas iepildei un degvielas uzpildei izmantojiet atbilstīgu palīg līdzekli (piemēram, piltuvi).

Motoreļļa

Informāciju par izmantojamo motoreļļu un eļļas iepildes daudzumu skatiet iekšdedzes motora lietošanas pamācībā.

Regulāri pārbaudiet uzpildes līmeni (skatiet iekšdedzes motora lietošanas pamācību).

Gādājiet, lai eļļas līmenis nebūtu nedz zemāks, nedz augstāks par attiecīgo atzīmi.

Pirms iekšdedzes motora lietošanas uzsākšanas pareizi aizskrūvējiet eļļas tvertnes aizbāzni.

Degviela

Ieteikums:

svaiga zīmola degviela;
svinu nesaturošs benzīns.

Informāciju par izmantojamās degvielas kvalitāti (oktānskaitli) skatiet iekšdedzes motora lietošanas pamācībā.



8. Vadības elementi

8.1 Vienpusējā vadības roktura regulēšana (RM 448 PC, RM 448 TC, RM 448 VC)



Iespiešanas risks!

Darbinot fiksācijas sviru, vienmēr ar vienu roku turiet vadības roktura augšējo daļu tā visaugstākajā vietā. Nekad nelieciet pirkstus starp vadības rokturi un konsoli (virs un zem fiksācijas sviras).

Vadības roktura salocīšana

Transportēšanas pozīcija (ierīces tīrīšanai, vietas taupīšanai transportējot un uzglabājot)

- Izņemiet startera trosi no troses vadotnes. (⇒ 7.5)
- Turiet vadības roktura augšējo daļu (2) ar vienu roku augstākajā vietā un viegli paceliet to (atslogojiet).
- Nospiediet fiksācijas sviru (1) uz leju un turiet.
- Nolieciet vadības rokturi (2) uz priekšu.

Darba pozīcija (ierīces stumšanai)

- Vadības rokturi (2) atlokiet uz aizmuguri un nodrošiniet, lai tas būtu pilnīgi fiksēts.
- Iekariet startera trosi troses vadotnē. (⇒ 7.5)

Augstuma regulēšana

Vienpusējā vadības roktura augstumu var regulēt 2 līmeņos.

- Turiet vadības roktura augšējo daļu (2) ar vienu roku augstākajā vietā un viegli paceliet to (atslogojiet).
- Nospiediet fiksācijas sviru (1) uz leju un turiet.
- Novietojiet vadības rokturi (2) nepieciešamajā pozīcijā.
- Atlaidiet fiksācijas sviru (1) un raugiet, lai vadības rokturis atkal būtu pilnīgi fiksēts.

8.2 Abpusējā vadības roktura salocīšana (RM 443, RM 443 T, RM 448 PT, RM 448 T, RM 448 TX)



Iespiešanas risks!

Atskrūvējot ātros noslēgus, vadības roktura augšējā daļa var noliekties. Tāpēc, atverot ātros noslēgus, ar vienu roku vienmēr turiet vadības roktura augšējo daļu (2) tā augstākajā vietā.

Transportēšanas pozīcija (ierīces tīrīšanai, vietu ietaupošai transportēšanai un glabāšanai)

- Izkabiniet startera trosi no troses vadotnes. (⇒ 7.5)
- Atveriet ātro fiksatoru (1) — atlieciet uz leju — un nolieciet uz priekšu vadības roktura (2) augšējo daļu.

Darba pozīcija (ierīces stumšanai)

- Vadības roktura augšējo daļu (2) atlokiet uz aizmuguri un turiet ar vienu roku.
- Aizveriet (atlieciet uz augšu) ātros fiksatorus (1).

- Iekariet startera trosi troses vadotnē.
(⇒ 7.5)

8.3 Zāles savācējgrozs

Iekāršana



- Atveriet un pieturiet izmešanas vāku (1).
- Iekariniet zāles savācējgrozu (2) aiz tā fiksācijas āķiem zāles savācējgroza stiprinājumos (3) ierīces aizmugurē.
- Aizveriet izmešanas vāku (1).

Izņemšana

- Atveriet un pieturiet izmešanas vāku (1).
- Paceliet zāles savācējgrozu (2) un noņemiet to virzienā uz aizmuguri.
- Aizveriet izmešanas vāku (1).

8.4 Centrālā pļaušanas augstuma regulēšana



Iespējams iestatīt 6 dažādus pļaušanas augstumus.

1. pakāpe = 25 mm
6. pakāpe = 75 mm

Pļaušanas augstuma regulēšana

- Satveriet balsta rokturi (1), sviru (2) pavelciet uz augšu un turiet.
- Regulējiet vēlamo pļaušanas augstumu, virzot ierīci uz augšu un uz leju. Tā brīža pļaušanas augstumu var nolasīt pļaušanas augstuma rādītājā (3), skatoties uz atzīmi (4).
- Atlaidiet fiksācijas sviru (2) un ļaujiet tai nofiksēties.

8.5 Savāktās zāles daudzuma indikators



Zāles savācējgrozam ir savāktās zāles daudzuma indikators (1), kas atrodas zāles savācējgroza augšējā daļā.

Gaisa plūsma, kas rodas pļaušanas naža rotācijas rezultātā un nodrošina zāles padevi uz zāles savācējgrozu, paceļ savāktās zāles daudzuma indikatora rādītāju (2):

zāles savācējgrozs tiek piepildīts ar nopļauto zāli.

Kad zāles savācējgrozs kļūst pilnāks, šī gaisa plūsma pavājinās un savāktās zāles daudzuma indikatora rādītājs nolaižas (3):

- iztukšojiet pilno zāles savācējgrozu (⇒ 11.4).

9. Drošības ierīces

Ierīce ir aprīkota ar vairākām drošības funkcijām, lai nodrošinātu drošu ekspluatāciju un novērstu nepareizas lietošanas iespējas.



Savainošanās risks!

Ja kādā no drošības ierīcēm tiek konstatēts bojājums, ierīces ekspluatācija ir jāpārtrauc. Sazinieties ar specializēto izplatītāju; STIHL iesaka STIHL specializēto izplatītāju.

9.1 Drošības aprīkojums

Zālesplāvējs ir aprīkots ar aizsargierīcēm, kas pasargā no nejaušas saskaršanās ar pļaušanas nažiem un izmesto nopļauto zāli.

Aizsargierīces ir korpuss, izmešanas vāks, zāles savācējgrozs un pareizi uzstādīts vadības rokturis.

9.2 Motora apstādināšanas rokturis

Zālesplāvējs ir aprīkots ar motora apstādināšanas ierīci.

Aktīvā darba režīmā iekšdedzes motors apstājas pēc motora apstādināšanas roktura atlaišanas.

Iekšdedzes motors un nazis apstājas 3 sekunžu laikā.



Savainošanās risks!

Ja naža inerces laiks ir ilgāks, pārtrauciet ierīces lietošanu un nogādājiet to specializētajam izplatītājam.

Inerces laika mērīšana

Pēc iekšdedzes motora iedarbināšanas nazis sāk griezties un ir dzirdams vēja troksnis. Inerces laiks pēc iekšdedzes motora atslēgšanas atbilst vēja trokšņa ilgumam, un to var izmērīt ar hronometru.

10. Norādījumi par darbu

Skaistu un biezu zālāju var iegūt

- pļaujot ar lēnu braukšanas ātrumu;
- bieži pļaujot zālienu un uzturot to īsu;
- ja sausā un karstā laikā zāliens tiek nopļauts pārāk īss, tas saulē izdeg un kļūst neglīts;
- ja darbs tiek veikts ar asiem pļaušanas asmeņiem – tāpēc tie regulāri jāasina (specializētais izplatītājs);
- ja regulāri tiek mainīts pļaušanas virziens.

10.1 Lietotāja darba zona




- Kad iekšdedzes motors tiek iedarbināts un darbojas, lietotājam drošības apsvērumu dēļ vienmēr jāatrodas darba zonā aiz vadības roktura. Vienmēr jāievēro drošības attālums, ko nosaka vadības roktura novietojums.
- Zālesplāvēju drīkst izmantot tikai viena persona; neļaujiet nepiederīgām personām uzturēties bīstamajā zonā. (⇒ 4.)

11. Ierīces sagatavošana darbam

11.1 Iekšdedzes motora iedarbināšana



-  Neiedarbiniet iekšdedzes motoru augstā zālē. Ja iedarbināšana ir apgrūtināta, izvēlieties lielāku plaušanas augstuma iestatījumu. Pēc iedarbināšanas iekšdedzes motors vienmēr darbojas ar optimālu darba apgriezību skaitu, jo akceleratora iestatījums ir fiksēts.
- Piespiediet motora apstādināšanas rokturi (1) pie vadības roktura un turiet to.
 - Lēnām izvelciet startera trosi (2) izvelciet līdz kompresijas pretestības punktam. Pēc tam ātri un spēcīgi velciet rokas garumā. Lēnām ievadiet startera trosi (2) atpakaļ, lai tā varētu no jauna uztīties.
 - Atkārtojiet darbību, līdz iekšdedzes motors sāk darboties.

11.2 Iekšdedzes motora izslēgšana



- Lai izslēgtu iekšdedzes motoru, atlaidiet motora apstādināšanas rokturi (1).
Pēc neilga beigšanas laika iekšdedzes motors un plaušanas nazis apstāsies.

11.3 Piedziņa (RM 443 T, RM 448 PC, RM 448 PT, RM 448 T, RM 448 TX, RM 448 TC, RM 448 VC)



Zālesplāvēji RM 443 T, RM 448 PC, RM 448 PT, RM 448 T, RM 448 TX, RM 448 TC un RM 448 VC ir aprīkoti ar piedziņu.

RM 443 T, RM 448 PC, RM 448 PT, RM 448 T, RM 448 TX, RM 448 TC: viens piedziņas ātrums turpgaitai (vienpakāpes pārnēsūmkārba).

RM 448 VC:

braukšanas laikā vienmērīgi regulējams piedziņas ātrums turpgaitai (regulējama pārnēsūmkārba).

Piedziņas ieslēgšana

- Iedarbiniet iekšdedzes motoru. (⇒ 11.1)
- Spiediet piedziņas sviru (1) pie vadības roktura un turiet to.
Piedziņa ieslēdzas, un zālesplāvējs sāk kustību uz priekšu.



Nebojājiet ierīci!



Lai nebojātu pārnēsūmkārbu, piedziņas svira vienmēr jāpārbīda pilnībā (līdz atdurei).

Piedziņas ātruma iestatīšana (RM 448 VC)



Nebojājiet ierīci!

Pārbīdiet regulējamās piedziņas sviru (2) tikai tad, kad iekšdedzes motors darbojas.

- Braukšanas ātruma palielināšana: braukšanas laikā spiediet regulējamās piedziņas sviru (2) uz priekšu. 
- Braukšanas ātruma samazināšana: braukšanas laikā velciet regulējamās piedziņas sviru (2) atpakaļ. 

Piedziņas izslēgšana

- Atlaidiet piedziņas sviru (1). Piedziņa izslēdzas, zālesplāvējs apstājas. Iekšdedzes motors turpina darboties.

11.4 Zāles savācējgroza iztukšošana



Savainošanās risks!

Drošības iemeslu dēļ iekšdedzes motors pirms zāles savācējgroza izņemšanas ir jāizslēdz.

- Noņemiet zāles savācējgrozu. (⇒ 8.3)
- Atveriet zāles savācējgrozu, izmantojot fiksēšanas mēlīti (1). Atveriet zāles savācējgroza augšējo daļu (2) un pieturiet to. Zāles savācējgrozu apgāziet uz aizmuguri un iztukšojiet no tā nopļauto zāli.
- Aizveriet zāles savācējgrozu.
- Iekariet zāles savācējgrozu. (⇒ 8.3)

12. Apkope

12.1 Vispārīga informācija



Savainošanās risks!

Ievērojiet drošības tehnikas noteikumus – skat. nodaļu „Jūsu drošībai” (⇒ 4.).

Ikgadējā apkope, ko veic specializētais izplatītājs

Specializētam izplatītājam zālesplāvēja pārbaude jāveic reizi gadā. STIHL iesaka STIHL specializēto izplatītāju.

12.2 Iekšdedzes motors

Apkopes intervāls

Skatiet iekšdedzes motora lietošanas pamācību!

Vispārīgas norādes

Ievērojiet ekspluatācijas un apkopes noteikumus, kas ietverti pievienotajā iekšdedzes motora lietošanas pamācībā.

Lai nodrošinātu ilgu lietošanu, īpaši svarīgs ir pietiekams eļļas līmenis un regulāra gan eļļas, gan arī gaisa filtra nomaiņa.

Ieteicamos eļļas maiņas intervālus, kā arī informāciju par motoreļļu un eļļas iepildes daudzumu atradīsiet iekšdedzes motora lietošanas pamācībā.

Lai iekšdedzes motors dzesētos pietiekami, dzesējošajām ribām vienmēr jābūt tīrām.

12.3 Ierīces tīrīšana

Apkopes intervāls: pēc katras lietošanas reizes



Rūpīga rīcība pasargā ierīci no bojājumiem un pagarina ekspluatācijas ilgumu.



Savainošanās risks!

Noslāpējiet iekšdedzes motoru, atvienojiet aizdedzes atslēgas kontaktspraudni un ļaujiet ierīcei atdzist.

Iztukšojiet degvielas tvertni (brauciet, līdz beidzas degviela) un tikai tad novietojiet ierīci tīrīšanas pozīcijā. Ierīces tīrīšanas pozīcija ir droša tikai tad, ja ir atvērts izmešanas vāks.

- Izvēlieties vislielāko plaušanas augstumu. (⇒ 8.4)
- Noņemiet zāles savācējgrozu. (⇒ 8.3)

Tīrīšanas pozīcija RM 443, RM 443 T, RM 448 PT, RM 448 T, RM 448 TX

- Turiet vadības roktura augšējo daļu (1) un atveriet ātros fiksatorus — atlieciet tos uz leju.
- Vadības roktura augšējo daļu (1) atlieciet uz aizmuguri.
- Atveriet un pieturiet izmešanas vāku (2).
- Paceliet ierīces priekšdaļu, kā redzams attēlā, un novietojiet ierīci tīrīšanas pozīcijā.

Tīrīšanas pozīcija RM 448 PC, RM 448 TC, RM 448 VC

- Lai paceltu ierīci, stāviet tās labajā pusē.

- Novietojiet vadības roktura augšējo daļu viszemākajā pozīcijā (līdz atdurei; fiksācijas svira šajā pozīcijā netiek fiksēta). (⇒ 8.2)
- Ar labo roku atveriet un turiet izmešanas vāku (2).
- Kā parādīts attēlā, ar kreiso roku aptveriet konsoli un turiet vaļā izmešanas vāku. Vienlaikus ar īkšķi nospiediet un turiet fiksācijas sviru (3).
- Ar labo roku aptveriet ierīci pie priekšējā balsta roktura un lēnām sagāziet ierīci uz aizmuguri, līdz vadības rokturis atrodas uz zemes, kā parādīts.
- Atlaidiet izmešanas vāku (2) un fiksācijas sviru (3) un pārbaudiet, vai ierīce ir novietota droši.

Norādījumi par tīrīšanu

- Notīriet netīrumus ar nelielu ūdens daudzumu, suku vai drānu. Notīriet arī plaušanas nazi. Nekad nevērsiet ūdens strūklu pret iekšdedzes motora daļām, blīvējumiem un gultņu ligzdām.
- Vispirms ar koka nūju notīriet pielipušos zāles atlikumus.
- Ja nepieciešams, lietojiet specializētu tīrīšanas līdzekli (piemēram, STIHL specializēto tīrīšanas līdzekli).

12.4 Nažu nodiluma pārbaude



Apkopes intervāls: pirms katras lietošanas reizes



Savainošanās risks!

Nažu nodilums atšķiras atkarībā no lietošanas vietas un ilguma. Ja ierīci lietojat vietās ar smilšainu augsni vai tā bieži tiek izmantota sausumā, slodze uz nazi ir lielāka un vidējais nodilšanas ātrums ir lielāks. Nodilis nazis var nolūzt un izraisīt nopietnus ievainojumus. Tāpēc vienmēr un jebkurā gadījumā jāievēro norādes par nažu apkopi.

- Sagāziet zāles plāvēju tīrīšanas pozīcijā. (⇒ 12.3)
- Notīriet pļaušanas nazi (1).
- Pielieciet lineālu (1) pie naža priekšējās malas un pārbaudiet nodilumu **A**.
- Pārbaudiet naža biezumu **B**, izmantojot bīdmēru (2).
- Pārbaudiet naža biezumu **C** vismaz 5 vietās, izmantojot bīdmēru (2). Minimālais biezums īpaši jāizmēra arī naža lāpstiņu zonā.

Nodiluma robežas

Nodilums **A**: < 15 mm

Naža platums **B**: > 39 mm

Naža biezums **C**: > 2 mm

Nazis ir jānomaina:

- ja tas ir bojāts (robi, plaisas);
- ja vienā vai vairākās vietās sasniegtas mērījumu vērtības vai tās ir ārpus pieļaujamā diapazona.

Ja zāles plāvējam ir uzstādīts papildu piederums (multifunkcionāls nazis), ir spēkā citas nodiluma robežas (skatiet piederuma lietošanas pamācību).

12.5 Pļaušanas naža izņemšana un ievietošana



Demontāža

- Lai fiksētu pļaušanas nazi (2), izmantojiet piemērotu koka detaļu (1).
- Izskrūvējiet naža stiprinājuma skrūvi (3). Noņemiet pļaušanas nazi (2), naža stiprinājuma skrūvi (3) un drošības paplāksni (4).

Montāža



Savainošanās risks!

Pļaušanas nazi (2) drīkst uzstādīt tikai tā, kā parādīts attēlā. Mēlītēm (7) jābūt vērstām leju, un augšupvērstajām naža lāpstiņām — augšup.

Precīzi jāievēro noteiktais naža stiprinājuma skrūvju pievilkšanas moments, jo no tā atkarīgs griešanas darbarīka stiprinājuma drošums. Naža stiprinājuma skrūvi (3) papildus nostipriniet ar **Loctite 243**.

Katrā naža montāžas reizē nomainiet drošības paplāksni (4), katrā naža nomaiņas reizē nomainiet naža stiprinājuma skrūvi (3).

- Notīriet naža stiprinājuma virsmu un naža uznavu.

- Uzstādiet pļaušanas nazi (2) ar augšupvērstajām lāpstiņām uz augšu (virzienā pret ierīci). Naža uznavas fiksācijas āķi (5) jāizvieto pļaušanas naža atverēs (6).
- Lai fiksētu pļaušanas nazi (2), izmantojiet piemērotu koka detaļu (1).
- Ieskrūvējiet un pievelciet naža stiprinājuma skrūvi (3) ar jaunu drošības paplāksni (4).
Pievilkšanas moments: **60 - 65 Nm**

12.6 Pļaušanas naža asināšana

Pļaušanas naža asināšanu STIHL iesaka uzticēt speciālistam. Nepareizi uzasināts nazis (nepareizs asināšanas leņķis, nelīdzsvarotība utt.) ietekmē ierīces darbību.

Asināšanas instrukcija

- Izņemiet pļaušanas nazi (⇒ 12.5).
- Asinot pļaušanas nazi, dzesējiet to, piemēram, ar ūdeni. Nedrīkst parādīties zila nokrāsa, citādi samazinās naža griešanas izturība.
- Asiniet nazi vienmērīgi, lai novērstu vibrāciju, ko izraisa naža nelīdzsvarotība.
- Ievērojiet 30° lielu asināšanas leņķi.
- Nepieciešamības gadījumā pēc asināšanas radušos grāti notīriet ar smalku smilšpapīru.
- Ievērojiet nodiluma robežas. (⇒ 12.4)

12.7 Glabāšana un dīkstāve (ziemā)

Glabājiet ierīci sausā, slēgtā telpā bez putekļiem. Gādājiet, lai ierīce tiktu novietota bērniem nepieejamā vietā.

Pirms novietošanas glabāšanā jānovērs iespējamie traucējumi. Ierīci vienmēr izmantojiet tikai lietošanai drošā stāvoklī.

Pirms glabāšanas iztukšojiet degvielas tvertni un karburatoru (piemēram, darbinot, līdz beidzas degviela).

Pirms ierīces novietošanas ilgākai dīkstāvei (ziemā) papildus veiciet šādas darbības:

- rūpīgi notīriet visas ierīces ārējās daļas;
- ieeļļojiet vai ar smērvielu ieziediet visus kustīgos elementus;
- izskrūvējiet aizdedzes sveci (skatiet iekšdedzes motora lietošanas instrukciju) un pa aizdedzes sveces atvērumu iepildiet dzinējā apmēram 3 cm³ motoreļļas; iekšdedzes motors dažas reizes jāiegriež bez aizdedzes sveces (velkot aiz startera troses).



Ugunsbīstamība!

Aizdedzes atslēgas kontaktspraudni neturiet aizdedzes sveces urbuma tuvumā, jo tas var izraisīt uzliesmojumu.

- Ieskrūvējiet atpakaļ aizdedzes sveci (skatiet iekšdedzes motora lietošanas instrukciju).
- Nomainiet eļļu (skatiet iekšdedzes motora lietošanas instrukciju).
- Apsedziet iekšdedzes motoru un glabājiet ierīci parastajā pozīcijā.

13. Transportēšana

13.1 Transportēšana



Savainošanās risks!

Pirms ierīces transportēšanas iepazīstieties ar norādēm nodaļā „Jūsu drošībai”. (⇒ 4.)

Transportējot vienmēr lietojiet piemērotu aizsargapģērbu (aizsargapavus, stingrus cimdus). Pirms pacelšanas vai transportēšanas vienmēr atvienojiet aizdedzes atslēgas kontaktspraudni. Drošības apsvērumu dēļ STIHL iesaka ierīci pacelt un nest tikai divatā. Pirms ierīces pacelšanas ņemiet vērā sadaļā „Tehniskie dati” norādīto ierīces svaru.

Ierīces nešana

- Divas personas
Paceliet ierīci tikai aiz priekšējā balsta roktura (1) un vadības roktura (3). Vienmēr ievērojiet, lai pļaušanas nazis atrastos pietiekamā attālumā no ķermeņa, jo īpaši no rokām un kājām.
- Viena persona
Paceliet un nesiet ierīci, ar vienu roku satverot aiz mugurējā balsta roktura vidu (2) un ar otru roku — priekšējo balsta rokturi (1).

Ierīces nostiprināšana

- Nodrošiniet ierīci uz kravas platformas ar piemērotiem nostiprināšanas līdzekļiem.

- Troses vai siksnas piestipriniet atzīmētajos ierīces punktos (4).

14. Vides aizsardzība



Nogriezto zāli neizmetiet, bet gan izmantojiet kompostam.

Iepakojums, ierīce un piederumi ir izgatavoti no pārstrādājamiem materiāliem un atbilstoši

jānodod utilizēšanai.

Materiālu atkritumu šķirošana un videi draudzīga utilizācija veicina izejvielu atkārtotu izmantošanu. Tāpēc parastā lietošanas perioda beigās ierīce jānogādā otrreizējo izejvielu savākšanas punktā. Veicot utilizāciju, īpaši ievērojiet nodaļā „Utilizācija” (⇒ 4.9) minētos norādījumus.

Vērsieties tuvākajā atkritumu otrreizējās pārstrādes centrā vai pie sava specializētā izplatītāja, lai uzzinātu, kā pareizi veikt atkritumvielu utilizāciju.

15. Nodiluma samazināšana un bojājumu novēršana

Svarīgi norādījumi par apkopi un kopšanu, produktu grupa

Ar benzīnu darbināmi zālesplāvēji (STIHL RM)

STIHL neuzņemas nekādu atbildību par mantas un miesas bojājumiem, kas radušies, neievērojot lietošanas pamācībā minētos norādījumus, jo īpaši tos, kas attiecas uz drošību, lietošanu un apkopi, vai gadījumos, kad ir izmantotas neapstiprinātas pierīces vai rezerves daļas.

Lai novērstu STIHL ierīces bojājumus vai pārmērīgu nodilumu, lūdzu, noteikti ņemiet vērā tālāk minētos norādījumus.

1. Dilstošās daļas

Dažas STIHL ierīces sastāvdaļas dabīgi nodilst arī tad, ja ierīci izmanto paredzētajam mērķim, un atkarībā no lietošanas veida un ilguma tās ir savlaicīgi jānomaina.

Dilstošu detaļu piemēri:

- pļaušanas nazis;
- zāles savācējgrozs;
- ķīļsiksna (RM 443 T, RM 448 PC, RM 448 PT, RM 448 T, RM 448 TC, RM 448 TX, RM 448 VC).

2. Lietošanas pamācībā minēto noteikumu ievērošana

STIHL ierīce jālieto, jāapkopj un jāuzglabā rūpīgi, kā tas aprakstīts šajā lietošanas pamācībā. Lietotājs ir atbildīgs par visiem bojājumiem, kuri radušies drošības, lietošanas un apkopes norādījumu neievērošanas dēļ.

Tas īpaši attiecas uz:

- ar uzņēmumu STIHL nesaskaņotām produkta izmaiņām;
- STIHL neapstiprinātu ekspluatācijas materiālu (smērvielu, benzīna un motoreļļu; skatiet iekšdedzes motora ražotāja norādes) izmantošanu;
- tādu instrumentu vai piederumu izmantošanu, kuru lietošana ierīcei nav atļauta, nav piemērota vai kuru kvalitāte ir zema;
- produkta lietošanu neatbilstīgi mērķim;
- produkta izmantošanu sporta pasākumos vai sacensībās;
- zaudējumiem, kas radušies, turpinot izmantot izstrādājumu ar bojātām sastāvdaļām.

3. Apkopes darbi

Visi nodaļā „Apkope” minētie darbi ir jāveic regulāri.

Ja šos apkopes darbus lietotājs nevar veikt pats, tie jāuztic specializētam izplatītājam.

STIHL iesaka apkopes un remonta darbu veikšanu uzticēt tikai STIHL specializētajam izplatītājam.

STIHL specializētie izplatītāji tiek regulāri apmācīti, un to rīcībā tiek nodota tehniskā informācija.

Ja ir nokavēts šo darbu veikšanas termiņš, var rasties bojājumi, par kuriem ir atbildīgs lietotājs.

Tie ir, piemēram:

- korozija un citi bojājumi, kas radušies nepareizas glabāšanas dēļ;
- ierīces bojājumi, kas radušies nekvalitatīvu rezerves daļu dēļ;
- bojājumi, kas radušies savlaicīgi neveiktas vai nepietiekami veiktas apkopes dēļ, vai bojājumi, kas radušies tāpēc, ka apkopes vai remonta darbi nav veikti specializēto izplatītāju darbnīcās.

16. Parastās rezerves daļas

Pļaušanas nazis RM 443, RM 443 T:

6338 702 0100

Pļaušanas nazis RM 448 PC, RM 448 PT, RM 448 T, RM 448 TC, RM 448 TX, RM 448 VC:

6358 702 0100

Naža stiprinājuma skrūve:

9008 319 9028

Drošības aplāksne:

0000 702 6600



Pļaušanas naža stiprinājuma elementi (piemēram, naža stiprinājuma skrūve) jānomaina, ja tiek mainīts pļaušanas nazis vai tiek veikta naža montāža. Rezerves daļas var iegādāties no STIHL specializētā izplatītāja.

17. ES atbilstības deklarācija

17.1 Ar benzīnu darbināmi zālesplāvēji (STIHL RM)

STIHL Tirol GmbH
Hans Peter Stihl-Straße 5
6336 Langkampfen
Austrija

uzņemas visu atbildību un paziņo, ka ierīce

Zālesplāvēji ar rokas vadību un iekšdedzes motoru (STIHL RM)

Ražotāja zīmols:	STIHL
Sērijas numurs:	6338
Tips:	RM 443.0 RM 443.0 T

Sērijas numurs:	6358
Tips:	RM 448.0 PC RM 448.0 PT RM 448.0 T RM 448.0 TC RM 448.0 TX RM 448.0 VC

atbilst šādām EK direktīvām:
2011/65/EU, 2000/14/EC, 2014/30/EU,
2006/42/EC

Ražojums izstrādāts saskaņā ar šādiem
standartiem:
EN ISO 5395-1, EN ISO 5395-2, EN
14982

Uz produktu attīstīšanu un ražošanu
attiecas atbilstošo standartu derīgo versiju
izstrādes datums.

Izmantotā atbilstības novērtēšanas
procedūra:
VIII pielikums (2000/14/EC).

Pilnvarotās iestādes nosaukums un
adrese:

TÜV Rheinland LGA Products GmbH
Tillystraße 2
D-90431 Nürnberg.

Par tehniskās dokumentācijas
sagatavošanu un uzglabāšanu atbildīgā
persona:

Sven Zimmermann
STIHL Tirol GmbH

Ražošanas gads un mašīnas numurs ir
norādīti uz ierīces jaudas plāksnītes.

Izmērītais trokšņu jaudas līmenis

RM 443.0	93,0 dB(A)
RM 443.0 T	93,0 dB(A)
RM 448.0 PC	95,3 dB(A)
RM 448.0 PT	95,3 dB(A)
RM 448.0 T	95,7 dB(A)
RM 448.0 TC	95,7 dB(A)
RM 448.0 TX	95,3 dB(A)
RM 448.0 VC	95,3 dB(A)

Garantētais trokšņu jaudas līmenis

RM 443.0	94 dB(A)
RM 443.0 T	94 dB(A)

Garantētais trokšņu jaudas līmenis

RM 448.0 PC	96 dB(A)
RM 448.0 PT	96 dB(A)
RM 448.0 T	96 dB(A)
RM 448.0 TC	96 dB(A)
RM 448.0 TX	96 dB(A)
RM 448.0 VC	96 dB(A)

Langkampfone,
2019-01-02 (GGGG-MM-DD)

STIHL Tirol GmbH

Pilnvarotais



Sven Zimmermann

Projektēšanas nodaļas vadītājs

18. Tehniskie parametri

**RM 443.0, RM 443.0 T, RM 448.0 PC,
RM 448.0 PT, RM 448.0 T, RM 448.0 TC,
RM 448.0 TX, RM 448.0 VC:**

iekšdedzes motors, modelis	4 taktu iekšdedzes motors
ledarbināšanas ierīce	Starteris ar troses mehānismu
Pļaušanas mehānisms	Naža turētājs

Naža turētāja piedziņa	Pastāvīga
Naža stiprinājuma skrūves pievilkšanas moments	60 - 65 Nm
Drošības aprīkojums	Motora apstādināšana
Priekšējo riteņu diametrs	180 mm
Aizmugurējo riteņu diametrs	200 mm
Zāles savācējgroza tilpums	55 l
Pļaušanas augstums	25 - 75 mm

RM 443.0, RM 443.0 T:

Sērijas numurs	6338
Pļaušanas platums	41 cm

RM 443.0:

iekšdedzes motors: ražotājs, tips	Briggs & Stratton, Series 550 EX OHV RS
Cilindra tilpums	140 ccm
Nominālā jauda ar nominālo apgriezienu skaitu	2,1 - 2800 kW - apgr./min
Degvielas tvertne	0,8 l
Naža turētāja apgriezienu skaits	2800 apgr./min
Riteņa pārnese	Nav
Garums	144 cm
Platums	49 cm
Augstums	109 cm
Svars	23 kg

Trokšņu emisija

Saskaņā ar Direktīvu Nr. 2000/14/EC	
Garantētais trokšņu jaudas līmenis L_{WAd}	94 dB(A)
Saskaņā ar Direktīvu Nr. 2006/42/EC	

Trokšņu spiediena
līmenis darba vietā

L_{pA} 81 dB(A)

Nobīde K_{pA} 2 dB(A)

Plaukstu/roku vibrācijas

Norādītā vibrāciju vērtība saskaņā ar
standartu EN 12096

Izmērītā vērtība a_{hw} 4,10 m/s²

Nobīde K_{hw} 2,05 m/s²

Mērījums saskaņā ar standartu EN 20643

RM 443.0 T:

Iekšdedzes motors:
ražotājs, tips Briggs &
Stratton, Series
550 EX OHV RS

Cilindra tilpums 140 ccm

Nominālā jauda ar
nominālo 2,1 - 2800
apgriezienu skaitu
kW - apgr./min

Degvielas tvertne 0,8 l

Naža turētāja
apgriezienu skaits 2800 apgr./min

Riteņa pārnesums
1 turpgaitas
pārnesums ar
pakāpenisko
iedarbināšanu

Garums 144 cm

Platums 48 cm

Augstums 109 cm

Svars 25 kg

Trokšņu emisija

Saskaņā ar Direktīvu Nr. 2000/14/EC

Garantētais trokšņu
jaudas līmenis L_{WAd} 94 dB(A)

Saskaņā ar Direktīvu Nr. 2006/42/EC

Trokšņu spiediena
līmenis darba vietā

L_{pA} 81 dB(A)

Nobīde K_{pA} 2 dB(A)

Plaukstu/roku vibrācijas

Norādītā vibrāciju vērtība saskaņā ar
standartu EN 12096

Izmērītā vērtība a_{hw} 4,10 m/s²

Nobīde K_{hw} 2,05 m/s²

Mērījums saskaņā ar standartu EN 20643

RM 448.0 PC, RM 448.0 PT, RM 448.0 T, RM 448.0 TC, RM 448.0 TX, RM 448.0 VC:

Sērijas numurs 6358

Pļaušanas platums 46 cm

RM 448.0 PC:

Iekšdedzes motors:
ražotājs, tips Briggs &
Stratton, Series
625

Cilindra tilpums 150 ccm

Nominālā jauda ar
nominālo 2,2 - 2800
apgriezienu skaitu
kW - apgr./min

Degvielas tvertne 0,8 l

Naža turētāja
apgriezienu skaits 2800 apgr./min

Riteņa pārnesums
1 turpgaitas
pārnesums ar
pakāpenisko
iedarbināšanu

Garums 147 cm

Platums 50 cm

Augstums 113 cm

Svars 27 kg

Trokšņu emisija

Saskaņā ar Direktīvu Nr. 2000/14/EC

Garantētais trokšņu
jaudas līmenis L_{WAd} 96 dB(A)

Saskaņā ar Direktīvu Nr. 2006/42/EC

Trokšņu spiediena
līmenis darba vietā

L_{pA} 83 dB(A)

Nobīde K_{pA} 2 dB(A)

Plaukstu/roku vibrācijas

Norādītā vibrāciju vērtība saskaņā ar
standartu EN 12096

Izmērītā vērtība a_{hw} 3,00 m/s²

Nobīde K_{hw} 1,50 m/s²

Mērījums saskaņā ar standartu EN 20643

RM 448.0 PT:

Iekšdedzes motors:
ražotājs, tips Briggs &
Stratton, Series
625

Cilindra tilpums 150 ccm

Nominālā jauda ar
nominālo 2,2 - 2800
apgriezienu skaitu
kW - apgr./min

Degvielas tvertne 0,8 l

Naža turētāja
apgriezienu skaits 2800 apgr./min

Riteņa pārnesums
1 turpgaitas
pārnesums ar
pakāpenisko
iedarbināšanu

Garums 147 cm

Platums 50 cm

Augstums 111 cm

Svars 27 kg

Trokšņu emisija

Saskaņā ar Direktīvu Nr. 2000/14/EC

Garantētais trokšņu
jaudas līmenis L_{WAd} 96 dB(A)

Saskaņā ar Direktīvu Nr. 2006/42/EC

Trokšņu spiediena
līmenis darba vietā
 L_{pA} 83 dB(A)

Nobīde K_{pA} 2 dB(A)

Plaukstu/roku vibrācijas

Norādītā vibrāciju vērtība saskaņā ar
standartu EN 12096

Izmērītā vērtība a_{hw} 3,90 m/s²
Nobīde K_{hw} 1,95 m/s²
Mērījums saskaņā ar standartu EN 20643

RM 448.0 T:

Iekšdedzes motors: Briggs & Stratton, Series 575
ražotājs, tips

Cilindra tilpums 140 ccm

Nominālā jauda ar nominālo 2,1 - 2800
apgriezienu skaitu kW - apgr./min
Degvielas tvertne 0,8 l

Naža turētāja apgriezienu skaits 2800 apgr./min

Riteņa pārnesums 1 turpgaitas pārnesums ar pakāpenisko iedarbināšanu

Garums 147 cm

Platums 50 cm

Augstums 111 cm

Svars 26 kg

Trokšņu emisija

Saskaņā ar Direktīvu Nr. 2000/14/EC

Garantētais trokšņu jaudas līmenis $L_{WA,d}$ 96 dB(A)

Saskaņā ar Direktīvu Nr. 2006/42/EC

Trokšņu spiediena līmenis darba vietā

L_{pA} 83 dB(A)

Nobīde K_{pA} 2 dB(A)

Plaukstu/roku vibrācijas

Norādītā vibrāciju vērtība saskaņā ar standartu EN 12096

Izmērītā vērtība a_{hw} 3,90 m/s²

Nobīde K_{hw} 1,95 m/s²

Mērījums saskaņā ar standartu EN 20643

RM 448.0 TC:

Iekšdedzes motors: Briggs & Stratton, Series 575
ražotājs, tips

Cilindra tilpums 140 ccm

Nominālā jauda ar nominālo 2,1 - 2800
apgriezienu skaitu kW - apgr./min
Degvielas tvertne 0,8 l

Naža turētāja apgriezienu skaits 2800 apgr./min

Riteņa pārnesums 1 turpgaitas pārnesums ar pakāpenisko iedarbināšanu

Garums 147 cm

Platums 50 cm

Augstums 113 cm

Svars 27 kg

Trokšņu emisija

Saskaņā ar Direktīvu Nr. 2000/14/EC

Garantētais trokšņu jaudas līmenis $L_{WA,d}$ 96 dB(A)

Saskaņā ar Direktīvu Nr. 2006/42/EC

Trokšņu spiediena līmenis darba vietā

L_{pA} 83 dB(A)

Nobīde K_{pA} 2 dB(A)

Plaukstu/roku vibrācijas

Norādītā vibrāciju vērtība saskaņā ar standartu EN 12096

Izmērītā vērtība a_{hw} 3,50 m/s²

Nobīde K_{hw} 1,75 m/s²

Mērījums saskaņā ar standartu EN 20643

RM 448.0 TX:

Iekšdedzes motors: Briggs & Stratton, Series 550 EX OHV RS
ražotājs, tips

Cilindra tilpums 140 ccm

Nominālā jauda ar nominālo 2,1 - 2800
apgriezienu skaitu kW - apgr./min

Degvielas tvertne 0,8 l

Naža turētāja apgriezienu skaits 2800 apgr./min

Riteņa pārnesums 1 turpgaitas pārnesums ar pakāpenisko iedarbināšanu

Garums 147 cm

Platums 50 cm

Augstums 111 cm

Svars 26 kg

Trokšņu emisija

Saskaņā ar Direktīvu Nr. 2000/14/EC

Garantētais trokšņu jaudas līmenis $L_{WA,d}$ 96 dB(A)

Saskaņā ar Direktīvu Nr. 2006/42/EC

Trokšņu spiediena līmenis darba vietā

L_{pA} 83 dB(A)

Nobīde K_{pA} 2 dB(A)

Plaukstu/roku vibrācijas

Norādītā vibrāciju vērtība saskaņā ar standartu EN 12096

Izmērītā vērtība a_{hw} 4,10 m/s²

Nobīde K_{hw} 2,05 m/s²

Mērījums saskaņā ar standartu EN 20643

RM 448.0 VC:

Iekšdedzes motors: Briggs & Stratton, Series 625
ražotājs, tips

Cilindra tilpums 150 ccm

Nominālā jauda ar nominālo 2,2 - 2800
apgriezienu skaitu kW - apgr./min

Degvielas tvertne	0,8 l
Naža turētāja apgriezīenu skaits	2800 apgr./min
Riteņa pārnesums	Regulējams turpgaitas pārnesums
Garums	147 cm
Platums	50 cm
Augstums	113 cm
Svars	28 kg

Trokšņu emisija

Saskaņā ar Direktīvu Nr. 2000/14/EC

Garantētais trokšņu
jaudas līmenis L_{WA} 96 dB(A)

Saskaņā ar Direktīvu Nr. 2006/42/EC

Trokšņu spiediena
līmenis darba vietā

L_{pA} 83 dB(A)

Nobīde K_{pA} 2 dB(A)

Plaukstu/roku vibrācijas

Norādītā vibrāciju vērtība saskaņā ar
standartu EN 12096

Izmēritā vērtība a_{hw} 3,00 m/s²

Nobīde K_{hw} 1,50 m/s²

Mērījums saskaņā ar standartu EN 20643

18.1 REACH

Ar REACH apzīmē EK Regulu par
ķīmikāliju reģistrāšanu, vērtēšanu,
licencēšanu un ierobežošanu.

Informāciju par REACH regulas (EK)
Nr. 1907/2006 ievērošanu skatiet vietnē
www.stihl.com/reach.

19. Darbības traucējummeklēšana

✘ Ja nepieciešams, vērsieties pie
specializēta izplatītāja; uzņēmums
STIHL iesaka izmantot STIHL
specializēto izplatītāju.

📖 Skatiet iekšdedzes motora lietošanas
pamācību!

Traucējums:

Iekšdedzes motors nesāk darboties.

Iespējamais iemesls:

- Nav pavilkts motora apstādināšanas
rokturis.
- Tvertnē nav degvielas, aizsērējis
degvielas padeves cauruļvads.
- Tvertnē ir nekvalitatīva, netīra vai veca
degviela.
- Gaisa filtrs ir netīrs.
- Aizdedzes atslēgas kontaktspraudnis ir
atvienots no aizdedzes sveces, vājš
aizdedzes kabeļa un kontaktspraudņa
kontakts.
- Nokvēpusi vai bojāta aizdedzes svece,
nepareizs attālums starp elektrodiem.

Risinājums:

- Piespiediet motora apstādināšanas
rokturi pie vadības roktura un
turiet. (⇒ 9.2)
- Papildiniet degvielu, iztīriet degvielas
padeves cauruļvadu. ✘
- Lietojiet svaigu zīmola degvielu,
bezsvina benzīnu, iztīriet
karburatoru. ✘
- Iztīriet gaisa filtru. ✘
- Pievienojiet aizdedzes atslēgas
kontaktspraudni, pārbaudiet aizdedzes
kabeļa un kontaktspraudņa
savienojumu. ✘

- Notīriet vai nomainiet aizdedzes sveci,
neregulējiet attālumu starp
elektrodiem. ✘

Traucējums:

apgrūtināta iedarbināšana vai
nepietiekama iekšdedzes motora jauda.

Iespējamais iemesls:

- zālesplāvēja korpuss ir apķēpis;
- pļaušana, izvēloties pārāk zemu
pļaušanas augstumu, vai arī
pārvietošanās ātrums ir pārāk liels
attiecībā pret pļaušanas augstumu;
- degvielas tvertnē un karburatorā ir
iekļuvis ūdens; karburators ir aizsērējis;
- degvielas tvertnē ir netīrumi;
- gaisa filtrs ir netīrs;
- aizdedzes svece ir aprūsējusi.

Risinājums:

- notīriet zālesplāvēja korpusu (iepriekš
atvienojiet aizdedzes atslēgas
kontaktspraudni!); (⇒ 12.3)
- neregulējiet lielāku pļaušanas
augstumu vai samaziniet pārvietošanās
ātrumu; (⇒ 8.4)
- iztukšojiet degvielas tvertni, iztīriet
degvielas padeves cauruļvadu un
karburatoru; ✘
- iztīriet degvielas tvertni; ✘
- iztīriet gaisa filtru; ✘
- notīriet aizdedzes sveci. ✘

Traucējums:

iekšdedzes motors stipri sakarst.

Iespējamais cēlonis:

- nepietiekams motoreļļas līmenis
iekšdedzes motorā;
- netīras dzesējošās ribas.

Problēmas novēršana:

- nomainiet motoreļļu; (⇒ 7.6)
- notīriet dzesējošās ribas. (⇒ 12.3)

Traucējums:

darbības laikā rodas spēcīga vibrācija.

Iespējamais cēlonis:

- bojāts griešanas mehānisms;
- valīgs iekšdedzes motora stiprinājums.

Problēmas novēršana:

- pārbaudiet un nepieciešamības gadījumā labojiet pļaušanas nazi, nažu vārpstu un naža stiprinājumu (naža stiprinājuma skrūvi un drošības paplāksni); ✖
- pievelciet iekšdedzes motora stiprinājuma skrūves. ✖

Traucējums:

nelīdzens pļāvums, zālājs dzeltē.

Iespējamais iemesls:


- pļaušanas nazis ir neass vai nodilis.

Risinājums:

- uzasiniet vai nomainiet pļaušanas nažus. (⇒ 12.6), (⇒ 12.5), ✖

20. Apkopes grafiks

20.1 Nodošanas apstiprinājums

Modelis:	_____
Sērijas numurs:	
	<input type="checkbox"/> <input type="checkbox"/> <input type="checkbox"/> <input type="checkbox"/> <input type="checkbox"/> <input type="checkbox"/> <input type="checkbox"/> <input type="checkbox"/> <input type="checkbox"/> <input type="checkbox"/>
Datums:	____
	
Nākamā apkope	
Datums:	____

20.2 Apkopes apstiprinājums



Veicot apkopes darbus, nododiet šo lietošanas pamācību STIHL specializētajam izplatītājam.

Viņš iepriekš nodrukātajos laukos apstiprina apkopes darbu veikšanu.



Apkopes veikšanas datums



Nākamās apkopes datums

Mielos pirkėjos, mieli pirkėjai,

mes džiaugiamės, kad pasirinkote STIHL. Mes kuriame ir gaminame aukščiausios kokybės gaminius, kurie atitinka mūsų klientų poreikius. Taip atsiranda didelio patikimumo gaminiai net ir ekstremaliomis sąlygomis.

STIHL taip pat pasisako už aukštą serviso kokybę. Mūsų specializuoti pardavėjai garantuoja kompetetingas konsultacijas ir mokymus taip pat visapusišką techninę paramą.

Dėkojame, kad pasitikite mumis, ir linkime sėkmingai naudotis įsigytu STIHL gaminiu.

Dr. Nikola Stihl

Svarbu! PERSKAITYTI PRIEŠ NAUDOJIMĄ IR IŠSAUGOTI.

1. Turinys

Apie šią naudojimo instrukciją	196
Bendroji informacija	196
Paaiškinimai, kaip skaityti naudojimo instrukciją	196
Įrenginio aprašymas	196
Jūsų saugumui	197
Bendroji informacija	197
Degalų pylimas – kaip elgtis, naudojant benzina	198
Apranga ir įranga	198
Įrenginio gabenimas	199
Prieš darbą	199
Darbo metu	199
Techninė priežiūra ir remontas	201
Laikymas ilgesnį laiką nenaudojant	202
Utilizavimas	202
Simbolių aprašymas	203
Komplektas	203
Įrenginio paruošimas eksploatacijai	204
Bendroji informacija	204
Vienoje pusėje tvirtinamos valdymo rankenos montavimas (RM 448 PC, RM 448 TC, RM 448 VC)	204
Abiejose pusėse tvirtinamos valdymo rankenos montavimas (RM 443, RM 443 T, RM 448 PT, RM 448 T, RM 448 TX)	204
Žolės surinkimo dėžės rinkimas	204
Starterio trosu užkabinimas ir nukabinimas	204
Degalai ir variklio alyva	205
Valdymo elementai	205
Vienoje pusėje tvirtinamos valdymo rankenos nustatymas (RM 448 PC, RM 448 TC, RM 448 VC)	205
Abiejose pusėse tvirtinamos valdymo rankenos atlenkimas (RM 443, RM 443 T, RM 448 PT, RM 448 T, RM 448 TX)	205
Žolės surinkimo dėžė	206
Centrinis pjovimo aukščio reguliavimas	206
Žolės pripildymo matuoklis	206
Saugos įtaisai	206
Apsauginiai įtaisai	206
Variklio išjungimo rankena	206
Darbo nuorodos	207
Operatoriaus darbo sritis	207
Įrenginio naudojimo pradžia	207
Vidaus degimo variklio paleidimas	207
Vidaus degimo variklio sustabdymas	207
Važiavimo pavara (RM 443 T, RM 448 PC, RM 448 PT, RM 448 T, RM 448 TX, RM 448 TC, RM 448 VC)	207
Žolės surinkimo dėžės ištuštinimas	208
Techninė priežiūra	208
Bendroji informacija	208
Vidaus degimo variklis	208
Įrenginio valymas	208
Peilio susidėvėjimo tikrinimas	209
Pjovimo peilio išmontavimas ir įmontavimas	209
Pjovimo peilio galandimas	209
Laikymas ir darbų nutraukimas (žiemos pertrauka)	210
Gabenimas	210
Gabenimas	210
Aplinkos apsauga	211

Dėvėjimosi mažinimas ir priemonės, padedančios išvengti gedimų	211
Įprastos atsarginės dalys	211
ES gamintojo atitikties deklaracija	212
Benzininės veļapjovės (STIHL RM)	212
Techniniai duomenys	212
REACH	215
Gedimų paieška	215
Techninės priežiūros planas	216
Perdavimo patvirtinimas	216
Techninės priežiūros patvirtinimas	216

2. Apie šią naudojimo instrukciją

2.1 Bendroji informacija

Ši naudojimo instrukcija yra gamintojo **originali naudojimo instrukcija** pagal EC direktyvą 2006/42/EC.

STIHL nuolat tobulina savo gaminius, todėl pasilikame teisę keisti įrenginio konstrukciją arba techninius ypatumus. Todėl pretenzijos dėl šiam leidinyje pateiktų duomenų ir paveikslėlių nepriimamos.

Šioje naudojimo instrukcijoje aprašomi modeliai, kurie yra ne visose šalyse.

Šios naudojimo instrukcijos autorių teisės saugomos. Pasilikame visas teises, įskaitant kopijavimo, vertimo ir apdoravimo elektroninėmis sistemomis teises.

2.2 Paaiškinimai, kaip skaityti naudojimo instrukciją

Paveikslėliais ir tekstais apibūdinami tam tikri veiksmai.

Visi vaizdiniai simboliai, pritvirtinti prie įrenginio, aiškinami šioje naudojimo instrukcijoje.

Žiūrėjimo kryptis:

žiūrėjimo kryptis naudojimo instrukcijoje žymima simboliais „**Į kairę**“ ir „**Į dešinę**“: naudotojas stovi už įrenginio ir žiūri į priekį važiavimo kryptimi.

Skyrių nuorodos:

į atitinkamus skyrius ir poskyrius su kitais paaiškinimais pateikiama nuoroda su rodykle. Šiame pavyzdyje pavaizduota nuoroda į skyrių: (⇒ 4.)

Teksto pastraipų žymėjimas:

aprašyti nurodymai gali būti pažymėti, kaip nurodyta tolesniuose pavyzdžiuose.

Naudojimo veiksmai, kai reikalinga naudotojo pagalba:

- atsuktuvu atsukite varžtą (1), suaktyvinkite svirtį (2)...

Bendrieji išvardijimai:

- gaminio naudojimas sporto renginiuose arba varžybose.

Tekstai, kuriuose pateikta papildoma svarbi informacija:

teksto pastraipos, turinčios papildomą reikšmę, kad būtų lengviau pastebimos, naudojimo instrukcijoje pažymėtos toliau nurodytais simboliais.



Pavojus!

Nelaimingų atsitikimų ir sunkaus asmenų sužalojimo pavojus. Būtina atitinkamai elgtis arba nesimti atitinkamų darbų.



Įspėjimas!

Pavojus susižeisti asmenims. Atitinkamai elgiantis išvengiama galimų arba numanomų sužalojimų.



Atsargiai!

Atitinkamai elgiantis galima išvengti lengvų sužalojimų ir materialinės žalos.



Nuoroda

Informacija, skirta tam, kad galėtumėte geriau naudotis įrenginiu ir išvengtumėte galimų klaidų jį valdydami.

Tekstai su nuoroda į paveikslėlį:

paveikslėlius, aiškinančius, kaip naudotis įrenginiu, rasite naudojimo instrukcijos pradžioje.

Šis fotoaparato simbolis žymi su aprašomu tekstu susijusį paveikslėlį, esantį atitinkamame naudojimo instrukcijos puslapyje.



3. Įrenginio aprašymas



- 1 Variklio išjungimo rankena
- 2 Važiavimo pavaros rankena (RM 443 T, RM 448 PC, RM 448 PT, RM 448 T, RM 448 TX, RM 448 TC, RM 448 VC)
- 3 Kintamos pavaros svirtis (RM 448 VC)
- 4 Valdymo rankenos viršutinė dalis
- 5 Starterio trosas
- 6 Greitojo įtempimo įtaisas (RM 443, RM 443 T, RM 448 PT, RM 448 T, RM 448 TX)
- 7 Valdymo rankenos apatinė dalis (RM 443, RM 443 T, RM 448 PT, RM 448 T, RM 448 TX)
- 8 Vidaus degimo variklis
- 9 Triukšmo slopintuvas su apsauginėmis grotelėmis

- 10 Uždegimo žvakės antgalis
- 11 Priekinė rankena
- 12 Priekinis ratas
- 13 Galinis ratas
- 14 Žolės surinkimo dėžė
- 15 Galinė rankena
- 16 Pjovimo aukščio reguliavimo svirtis
- 17 Specifikacijų lentelė su įrenginio numeriu
- 18 Valdymo rankenos svirtis (RM 448 PC, RM 448 TC, RM 448 VC)
- 19 Valdymo rankenos fiksavimo svirtis (RM 448 PC, RM 448 TC, RM 448 VC)

4. Jūsų saugumui

4.1 Bendroji informacija



Dirbant su įrenginiu, būtina laikytis šių nelaimingų atsitikimų prevencijos taisyklių.



Prieš pradėdami naudotis įrenginiu pirmą kartą, atidžiai perskaitykite naudojimo instrukciją. Padėkite naudojimo instrukciją į saugią vietą, kad galėtumėte ją pasinaudoti ateityje.

Laikykitės valdymo ir techninės priežiūros nuorodų, kurias rasite atskiroje vidaus degimo variklio naudojimo instrukcijoje.

Šios atsargumo priemonės yra būtinos jūsų saugai užtikrinti, tačiau išvardytos ne visos. Visada naudokite įrenginį protingai ir atsakingai bei atminkite, kad įrenginio valdytojas arba naudotojas atsako už žalą, padarytą kitiems asmenims arba jų nuosavybei.

Susipažinkite su įrenginio valdymo elementais ir naudojimo taisyklėmis.

Įrenginį leidžiama naudoti tik asmenims, kurie perskaitė naudojimo instrukciją ir susipažino, kaip naudoti įrenginį. Prieš pirmą kartą naudodamas įrenginį, naudotojas turėtų pasistengti išklausti kvalifikuoto asmens praktinį instruktažą. Naudotojas privalo paprašyti pardavėjo arba kito specialisto paaiškinti, kaip saugiai naudoti įrenginį.

Per šį instruktažą naudotoją privalo informuoti, kad dirbant su įrenginiu reikia būti itin atsargiam ir susikaupti.

Net jei įrenginį naudosite tinkamai, visada galima liekamoji rizika.



Pavojus gyvybei dėl uždusimo!

Pavojus uždusti vaikams, žaidžiantiems su pakuoti skirtomis medžiagomis. Pakavimui skirtas medžiagas būtinai saugokite nuo vaikų.

Šį įrenginį, įskaitant visus priedus, galima duoti ar paskolinti tik tiems asmenims, kuriems buvo paaiškinta, kaip naudoti šį modelį, arba tiems, kurie yra gerai susipažinę su šio modelio konstrukcija ir naudojimu. Ši naudojimo instrukcija yra įrenginio dalis, ją visada reikia perduoti su įrenginiu.

Įrenginį naudokite tik gerai pailsėję, būdami geros fizinės formos ir nuotaikos. Jei turite sveikatos sutrikimų, privalote paklausti savo gydytojo, ar galite dirbti su įrenginiu. Išgėrus alkoholio, vaistų, kurie daro įtaką reakcijai, arba vartojus narkotikų, naudoti įrenginį draudžiama.

Šis įrenginys nėra skirtas naudoti nepatyrusiems asmenims, vaikams arba asmenims, kurių fiziniai, jutiminiai arba psichiniai gebėjimai yra riboti, jeigu jų neprižiūri už jų saugą atsakingas asmuo.

Įrenginiu niekada neleiskite naudotis vaikams arba jaunuoliams iki 16 metų. Mažiausią įrenginio naudotojo amžių gali reglamentuoti vietoje, kurioje įrenginys naudojamas, galiojančios taisyklės.

Įrenginys skirtas naudoti nekomerciniams (privatiems) tikslams.

Dėmesio! Nelaimingų atsitikimų pavojus!

Vejapjovė skirta tik pjauti vejai. Naudoti kitais tikslais draudžiama ir gali būti pavojinga bei galima padaryti žalos įrenginiui.

Kad naudotojas nesusižalotų, vejapjovė draudžiama naudoti, pavyzdžiui, šiems darbams (išvardyta ne viskas):

- krūmams ir gyvatvorėms karpyti,
- augalams šiltnamiuose karpyti,
- augalams, augantiems ant stogo ar balkone, prižiūrėti,
- mažoms medžių atpjovoms ir nupjautai gyvatvorei smulkinti,
- keliams valyti (nusiurbti, nupūsti),
- žemės paviršiaus nelygumams, pvz., kurmiarausiams, išlyginti,
- nupjautai žolei gabenti ne tam skirtoje žolės surinkimo dėžėje.

Saugumo sumetimais draudžiama bet kaip keisti įrenginį, išskyrus kvalifikuoto asmens atliekamam priedų tvirtinimo darbus, kuriuos leidžia daryti STIHL. Be to, dėl atliktų įrenginio pakeitimo darbų netenkama teisės reikšti pretenzijas į

garantiją. Informacijos apie leidžiamus priedus Jums suteiks STIHL prekybos atstovas.

Ypač griežtai draudžiami įrenginio pakeitimai, kurie pakeičia galią arba vidaus degimo arba elektros variklio sūkių skaičių.

Draudžiama įrenginiu vežti daiktus, gyvūnus arba žmones, ypač vaikus.

Naudojant viešosiose vietose, parkuose, sporto aikštynuose, gatvėse, žemės bei miškų ūkyje, būtina elgtis itin atsargiai.



Dėmesio! Pavojinga sveikatai dėl vibracijos! Per didelė apkrova dėl vibracijos gali pažeisti kraujo apytaką arba

nervų sistemą, ypač žmonėms, kenčiantiems nuo kraujo apytakos ligų. Kreipkitės į gydytoją, jei pasireikštų vibracinės apkrovos sukelti simptomai. Šių simptomų, dažniausiai juntamų pirštuose, rankose arba rankų sąnariuose, pavyzdžiai (išvardyta ne viskas):

- jautrumo sumažėjimas,
- skausmai,
- raumenų silpnumas,
- odos spalvos pasikeitimas,
- nemalonus jausmas tarsi po odą bėgiotų skruzdėlės (formikacija).

Eksploatuodami valdymo rankeną tvirtai laikykite abiem rankomis, bet pernelyg stipriai nespausdami, tam numatytose vietose.

Darbus planuokite taip, kad išvengtumėte didesnės apkrovos eksploatuodami ilgesnį laiką.

4.2 Degalų pylimas – kaip elgtis, naudojant benzina



Pavojus gyvybei!

Benzinas yra nuodingas ir labai degus.

Benziną laikykite tik tam skirtuose ir patikrintuose rezervuaruose (kanistruose). Degalų bako dangtelį visada tvarkingai užsukite ir užveržkite. Pažeistus dangtelius saugumo sumetimais pakeiskite.

Niekada nenaudokite gėrimams skirtų indų arba panašios taros eksploatacinėms medžiagoms, pvz., degalams, utilizuoti ar laikyti. Asmenys, ypač vaikai, gali sumanyti iš jų atsigerti.



Benziną laikykite toliau nuo kibirkščių, atviros liepsnos, ilga laikės liepsnos, šilumos ir kitų uždegimo šaltinių.

Nerūkykite!

Degalus pilkite tik lauke ir tuo metu nerūkykite.

Prieš pildami degalus, išjunkite vidaus degimo variklį ir palaukite, kol jis atvės.

Prieš paleisdami vidaus degimo variklį, įsipilkite benzino. Veikiant vidaus degimo varikliui arba kol įrenginys dar karštas, nbandykite atsukti degalų bako dangtelio ar pilti benzino.

Neperpildykite kuro bako!

Kad liktų vietos kurui plėstis, niekada kuro bako nepildykite aukščiau apatinio pripylimo kaklelio krašto.

Be to, atkreipkite dėmesį į vidaus degimo variklio naudojimo instrukcijoje pateiktą informaciją.



Jei benzinas išbėgo per kraštus, pirmiausia nuvalykite suteptą vietą. Tik tuomet galite užvesti vidaus degimo variklį. Nemėginkite užveskite variklio, kol neišgaravo benzino garai (nusausininkite).

Išsiliejusius degalus visada nuvalykite.

Pasikeiskite drabužius, jei ant jų užtiško benzino.

Įrenginio, kuriame yra benzino, jokių būdu nelaikykite pastato viduje. Susidarantys benzino garai gali pasiekti atvirą ugnį arba kibirkštis ir užsidegti.

Jei reikia ištuštinti degalų baką, darykite tai atviraime lauke.

4.3 Apranga ir įranga



Dirbdami visada avėkite tvirtus batus su profiliuotais puspadžiais. Niekada nedirbkite basomis arba, pavyzdžiui, apsiaavę lengva avalyne.



Atlikdami techninės priežiūros, valymo darbus ir gabendami įrenginį, visada dar užsimaukite tvirtas pirštines, susiriškite ilgus plaukus ir juos apsaugokite (skarele, kepure ir t. t.).



Galąsdami pjovimo peilį, užsidėkite tinkamus apsauginius akinius.

Įrenginį leidžiama paleisti tik mūvint ilgas kelnes ir dėvint priglundusius drabužius.

Niekada nevilkkite laisvų drabužių (taip pat nusiimkite papuošalus, nusiriškite kaklaraištį ir šaliką), kurie gali užsikabinti už judančių dalių (valdymo svirties).



Dirbant kyla triukšmas.
Triukšmas gali pakenkti klausai.

Naudokite klausos organų
apsaugą.

4.4 Įrenginio gabenimas

Dirbkite tik su pirštinėmis, kad jūsų nesužeistų aštriabriaunės ir karštos įrenginio dalys.

Įrenginį gabenkite tik išjungę vidaus degimo variklį. Prieš gabendami, sustabdykite vidaus degimo variklį, palaukite, kol sustos peiliai, ir ištraukite uždegimo žvakės antgalį.

Įrenginį gabenkite tik atvėsus vidaus degimo varikliui ir be degalų.

Naudokite tinkamą pagalbinę krovimo įrangą (krovimo rampas, keliamuosius įtaisus).

Įrenginį ir kartu gabenamas įrenginio dalis (pvz., žolės surinkimo dėžę) ant krovimo paviršiaus pritvirtinkite tinkamų matmenų tvirtinimo priemonėmis (diržais, lynais ir t. t.).

Keldami ir nešdami stenkitės nesiliesti prie pjovimo peilio.

Atkreipkite dėmesį į skyriuje „Gabenimas“ pateiktus duomenis. Ten aprašyta, kaip įrenginį kelti arba tvirtinti. (⇒ 13.)

Gabendami įrenginį, laikykitės nacionalinių įstatymų, ypač susijusių su krovinio sauga ir daiktų gabenimu ant krovimo platformų.

4.5 Prieš darbą

Užtikrinkite, kad su įrenginiu dirbtų tik asmenys, susipažinę su naudojimo instrukcija.

Prieš pradėdami eksploatuoti įrenginį patikrinkite, ar sandari degalų tiekimo sistema, ypač matomos dalys, pvz., bakas, užsukamas bako dangtelis, jungiamosios žarnos. Pastebėję nesandarių vietų ar pažeidimų nebandykite užvesti vidaus degimo variklio – **gali kilti gaisras!**

Prieš pradėdami naudoti įrenginį, nuvežkite jį suremontuoti prekybos atstovui.

Laikykitės vietos taisyklių dėl sodo įrenginių su vidaus degimo arba elektros varikliu naudojimo trukmės.

Kruopščiai patikrinkite teritoriją, kurioje bus naudojamas įrenginys, pašalinkite iš jos visus akmenis, lazdas, vielas, kaulus ir kitus kietus daiktus, kuriuos įrenginys gali išsviesti. Aukštoje žolėje esančios kliūtys (pvz., kelmai, šaknys) lengvai gali likti nepastebėtos.

Todėl prieš pradėdami dirbti įrenginiu, pažymėkite visus vejoje slypinčius pašalinius objektus (kliūtis), kurių negalite pašalinti.

Prieš naudodami įrenginį, pakeiskite visas sugedusias, susidėvėjusias ir pažeistas dalis. Ant įrenginio esančias neįskaitomas arba pažeistas nuorodas apie pavojus ir įspėjamąsias nuorodas pakeiskite. Atsarginių lipdukų ir visų kitų atsarginių dalių įsigysite iš oficialiojo STIHL prekybos atstovo.

Prieš naudodami įrenginį patikrinkite, ar uždegimo žvakės antgalis tvirtai ir saugiai pritvirtintas ant uždegimo žvakės.

Įrenginį galima naudoti tik saugios eksploatuoti būklės. Prieš pradėdami naudoti, kaskart patikrinkite:

– ar įrenginys tinkamai sumontuotas;

– ar pjovimo įranga ir visas pjovimo blokas (pjovimo peilis, tvirtinimo elementai, pjovimo įrangos korpusas) yra nepriekaištingos būklės: ypač svarbu atkreipti dėmesį, ar nėra pažeidimo (įrantų arba įtrūkių) ir susidėvėjimo požymių, ar viskas tvirtai pritvirtinta;(⇒ 12.4)

– ar bako dangtelis sandariai užsuktas;

– ar bakas, kuro tiekimo dalys ir bako dangtelis yra nepriekaištingos būklės;

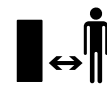
– ar saugos įtaisai (pvz., variklio išjungimo rankena, žolės išmetimo įrenginio dangtis, korpusas, valdymo rankena, apsauginės grotelės) yra nepriekaištingos būklės ir tinkamai veikia;

– ar žolės surinkimo dėžė nepažeista ir iki galo sumontuota (pažeistos žolės surinkimo dėžės naudoti negalima);

– ar srieginis alyvos išleidimo angos kamštis sandariai užsuktas.

Prireikus atlikite visus būtinus darbus arba kreipkitės į prekybos atstovą. STIHL rekomenduoja kreiptis į STIHL prekybos atstovą.

4.6 Darbo metu



Niekada nedirbkite, kai pavojaus zonoje yra gyvūnų arba asmenų, ypač vaikų.

Draudžiama išmontuoti arba išjungti įtaisytus įrenginio perjungimo ir saugos įtaisus. Ypač niekada prie rankenos nefiksuokite variklio išjungimo rankenos (pvz., pririšdami).



Dėmesio – pavojus susižeisti!

Jokiu būdu rankų ar kojų nekiškite prie besisukančių įrenginio dalių arba po jomis.

Niekada nelieskite besisukančio peilio. Būkite toliau nuo žolės išmetimo angos.

Visada laikykitės valdymo rankenomis nustatyto saugaus atstumo. Valdymo rankena visada turi būti tinkamai sumontuota ir nemodifikuota. Niekada nepradėkite naudoti įrenginio, kai valdymo rankena yra atlenkta.

Ant valdymo rankenos niekada nedėkite daiktų (pvz., darbinių drabužių).

Dirbkite tik dieną arba esant geram dirbtiniam apšvietimui.

Nedirbkite su įrenginiu per lietu, audrą, o ypač – žaibuojant.

Kai pagrindas drėgnas, dėl mažesnio stabilumo kyla didesnis nelaimingų atsitikimų pavojus.

Dirbkite itin atsargiai, kad nepaslystumėte. Jei įmanoma, stenkitės nenaudoti įrenginio ant drėgno pagrindo.

Išmetamosios dujos



Pavojus gyvybei dėl apsinuodijimo!

Jei pajutote pykinimą, pradėjo skaudėti galvą, sutriko regėjimas (pvz., mažėja regos laukas), klausia, svaigsta galva, nebegalite susikaupti, iš karto liaukitės dirbę. Šiuos simptomus gali sukelti ir per didelė išmetamųjų dujų koncentracija.



Tik pradėjus veikti vidaus degimo varikliui, įrenginys išmeta nuodingas dujas. Šiose dujose yra nuodingo anglies monoksido – bespalvių ir bekvapių dujų,

taip pat kitų kenksmingų medžiagų. Jokiu būdu nepaleiskite vidaus degimo variklio uždaroje ar blogai vėdinamose patalpose.

Paleidimas

Įrenginį paleiskite atsargiai, vadovaudamiesi skyriuje „Įrenginio naudojimo pradžia“ (⇒ 11.) pateiktais nurodymais. Paleidžiant vadovaujantis šiomis instrukcijomis sumažėja pavojus susižeisti.

Pavojus susižeisti!

Jei starterio trosas greitai įtraukiamas atgal, plaštaka ir ranka yra greičiau traukiamos prie vidaus degimo variklio, negu kai starterio trosas yra paleistas. Dėl tokios atatrakos galimi kaulų lūžiai, sumušimai ir patempimai.

Visuomet pasirūpinkite, kad paleidžiant nuo jūsų kojų iki pjovimo įrangos būtų pakankamas atstumas.

Paleidžiamo įrenginio negalima versti.

Paleidžiant važiavimo pavaros rankenos aktyvinti negalima.

Nepaleiskite vidaus degimo variklio, jei žolės išmetimo kanalas neuždengtas žolės išmetimo dangčiu arba žolės surinkimo dėže.

Darbas nuokalnėse

Nuokalnėse visada dirbkite skersine, o ne išilgine kryptimi.

Jeigu pjaudamas išilgine kryptimi naudotojas nesuvaldo įrenginio, pjaunantis įrenginys gali naudotoją pervažiuoti.

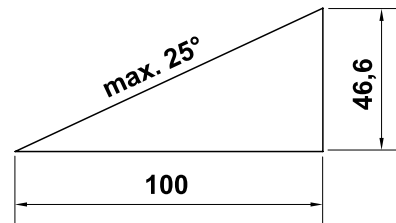
Būkite ypač atsargūs, keisdami judėjimo kryptį ant šlaito.

Visada atkreipkite dėmesį į tai, kad įrenginys ant šlaito būtų labai stabilus, ypač stačiuose šlaituose, kad įrenginys netaptų nevaldomas.

Saugumo sumetimais įrenginio negalima naudoti nuokalnėse, statesnėse nei 25° (46,6 %).

Pavojus susižeisti!

25° šlaitas atitinka 46,6 cm pakilimą vertikalia kryptimi 100 cm ilgio horizontalioje atkarpoje.



Kad vidaus degimo variklis būtų tinkamai tepamas, naudojant įrenginį nuokalnėse, būtina papildomai atkreipti dėmesį į duomenis, pateiktus pridėtoje vidaus degimo variklio naudojimo instrukcijoje.

Darbas:



Pavojus susižeisti!

Niekada nekiškite rankų ar kojų virš besisukančių įrenginio dalių, po jomis ar prie jų.



Nemėginkite apžiūrinėti peilio veikiant vejamajai. Niekada neatidarykite žolės išmetimo įrenginio dangčio ir (arba) nenukabinkite žolės surinkimo dėžės, kol veikia pjovimo peilis. Besisukantis peilis gali jus sužaloti.

Stumkite arba traukite įrenginį tik ėjimo greičiu – dirbdami su įrenginiu niekada nebėkite. Jei jis važiuos greičiau, galite susižeisti užkliuvę, paslydę ir pan.

Būkite itin atsargūs apsukdami įrenginį ar traukdami jį į save.

Galite suklypti!

Naudokite įrenginį itin atsargiai, kai dirbate šalia įkalnių, šlaitų, griovių ir tvenkinių. Ypač išlaikykite pakankamą atstumą iki tokių pavojingų vietų.

Vejoje esančius objektus (vejos purkštuvus, stulpelius, vandens vožtuvus, pamatus, elektros linijas ir t. t.) būtina apvažiuoti. Niekada nevažiuokite per tokius objektus.



STOP

Atkreipkite dėmesį į pjovimo įrangos papildomą veikimą. Kol ji sustoja, praeina kelios sekundės.

Sustabdykite vidaus degimo variklį, palaukite, kol besisukantis darbo įrankis sustos, ir nutraukite uždegimo žvakės antgalį:

- jei įrenginio nebenaudosite arba jį paliekate be priežiūros;
- prieš papildomai įpildami degalų (degalų pilkite tik vidaus degimo varikliui atvėsus);
- Gaisro pavojus!**
- prieš atlaisvindami blokatorius ar valydami užsikišusį žolės išmetimo kanalą;
- prieš pakeldami ir nešdami įrenginį;
- prieš gabendami įrenginį;
- prieš atlikdami darbus prie pjovimo peilio;
- prieš tikrindami ar valydami įrenginį arba prieš atlikdami kitus darbus (pvz., prieš atlenkdami valdymo rankeną);

- jei vejaplovė atsitrenkė į svetimkūnį arba pradėjo neįprastai smarkiai vibruoti – tokiais atvejais patikrinkite įrenginį, ypač pjovimo bloką (peilį, peilių veleną, peilio tvirtinimo detales), ar jis nepažeistas, ir, prieš paleisdami įrenginį iš naujo ir su juo dirbdami, atlikite būtinus remonto darbus.



Sužalojimo pavojus!

Smarkus vibravimas dažniausiai yra gedimo požymis. Vejaplovę naudoti draudžiama, jei alkūninis velenas arba pjovimo peilis yra pažeistas ar deformuotas. Jei jums trūksta reikiamų žinių, būtinus remonto darbus paveskite atlikti specialistui – STIHL rekomenduoja kreiptis į STIHL prekybos atstovą.

Sustabdykite vidaus degimo variklį:

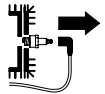
- jei stumiate įrenginį nuo vejos ploto, kurio nereikia apdirbti, arba jo link;
- prieš stumdami įrenginį ant ploto, kuriame neauga žolė;
- jei atidarote žolės išmetimo dangtį arba nuimate žolės surinkimo dėžę;
- jei įrenginį reikia paversti, norint jį gabenti;
- prieš nustatydami pjovimo aukštį.

4.7 Techninė priežiūra ir remontas

Prieš atlikdami valymo, reguliavimo, remonto ir techninės priežiūros darbus:

- įrenginį pastatykite ant tvirtos, lygios žemės;
- išjunkite vidaus degimo variklį ir palaukite, kol jis atvės;

- ištraukite uždegimo žvakės antgalį.



Dėmesio – pavojus susižeisti!

Uždegimo žvakės antgalį laikykite atokiau nuo uždegimo žvakės – atsitiktinė kibirkštis gali sukelti gaisrą ar elektros šoką.

Dėl atsitiktinio uždegimo žvakės ir jos antgalio kontakto vidaus degimo variklis gali netikėtai užsivesti.



Pavojus susižeisti pjovimo peiliu!

Traukiant už starterio trosą, darbo įrankis pradeda sukintis. Traukdami už starterio trosą, visada būkite gana toli nuo pjovimo peilio, ypač saugokite rankas ir kojas.

Prieš pradėdami darbus vidaus degimo variklio srityje, įrenginiui, ypač išmetamajam vamzdžiui ir triukšmo slopintuvams, leiskite atvėsti. Temperatūra gali pakilti iki 80 °C ir daugiau. **Nudegimo pavojus!**

Tiesioginis sąlytis su variklio alyva gali būti pavojingas, be to, variklio alyvos neišliedite.

STIHL rekomenduoja variklio alyvos pildymą arba keitimą patikėti STIHL prekybos atstovui.

Valymas

Baigę dirbti, visą įrenginį kruopščiai išvalykite. (⇒ 12.3)

Prieš statydami įrenginį į valymo padėtį, ištuštinkite degalų baką (pvz., tuščiaja eiga).

Medine lazdele nuvalykite prilipusius žolės likučius. Vejaplovės apatinę dalį valykite šepečiu ir vandeniu.

Niekada nenaudokite aukšto slėgio įrenginio ir neplaukite įrenginio po tekančiu vandeniu (pvz., su sodo žarna).

Nenaudokite agresyviųjų valiklių. Jie gali pažeisti plastiką ir metalą. Tai gali pakenkti STIHL įrenginio saugai.

Norint išvengti gaisro pavojaus, aušinimo oro angų, aušinimo briaunų ir išmetamojo vamzdžio zonoje negali būti, pvz., žolės, šiaudų, samanų, lapų arba ištekėjusio tepalo.

Techninės priežiūros darbai:

Leidžiama atlikti tik šioje naudojimo instrukcijoje aprašytus techninės priežiūros darbus. Visus kitus darbus būtina pavesti prekybos atstovui.

Jei jums trūksta reikalingų žinių ir pagalbinių priemonių, **visada** galite kreiptis į prekybos atstovą.

STIHL rekomenduoja, kad techninės priežiūros ir remonto darbus atliktų tik STIHL prekybos atstovas.

STIHL prekybos atstovai reguliariai mokomi, jiems suteikiama reikalinga techninė informacija.

Naudokite tik tuos įrankius, padargus, priedus ir techniškai lygiavertes dalis, kurias STIHL leido naudoti šiam įrenginiui, kitaip gali kilti nelaimingų atsitikimų pavojus ir gali būti sužaloti asmenys arba pažeistas įrenginys. Kilus klausimų, kreipkitės į prekybos atstovą.

STIHL originalių įrankių, priedų ir atsarginių dalių savybės optimaliai pritaikytos įrenginiui bei naudotojo poreikiams. Originalias STIHL atsargines dalis atpažinsite iš STIHL atsarginės dalies numerio, užrašo STIHL ir, jei reikia, iš STIHL atsarginės dalies ženklo. Ant mažesnių dalių gali būti tik ženklas.

Saugumo sumetimais reguliariai tikrinkite, ar nepažeistos kuro tiekimo konstrukcinės dalys (kuro vamzdynas, kuro čiapas, kuro bakas, bako dangtelis, jungtys ir t. t.) ir ar nėra nesandarių vietų. Jei reikia, dalis paveskite pakeisti specialistui (STIHL rekomenduoja STIHL prekybos atstovą).

Įspėjamieji ir nurodomieji lipdukai visada turi būti švarūs ir įskaitomi. Pažeistus arba atsiklijavusius lipdukus pakeiskite naujais originaliais lipdukais, jų galite įsigyti iš STIHL prekybos atstovo. Jeigu kurią nors konstrukcinę dalį keisite nauja, nepamirškite prie jos priklijuoti tokį patį lipduką.

Darbus prie pjovimo įrangos atlikite tik mūvėdami storas darbines pirštines, būkite itin atsargūs.

Žiūrėkite, kad visos veržlės, kaiščiai ir varžtai, ypač peilio varžtas, būtų tvirtai priveržti, kad įrenginys būtų saugus eksploatuoti.

Reguliariai tikrinkite visą įrenginį ir žolės surinkimo dėžę (pvz., jei nenaudosite žiemą), ar jie nesusidėvėjo ir nėra pažeisti. Saugumo sumetimais susidėvėjusias arba pažeistas dalis nedelsdami pakeiskite, kad įrenginys visada būtų saugus eksploatuoti.

Niekada nekeiskite pagrindinių vidaus degimo variklio nustatymų ir neviršykite jo sūkių skaičiaus.

Jei, atliekant techninės priežiūros darbus, konstrukcinės dalys arba apsauginiai įtaisai buvo nuimti, juos reikia vėl sumontuoti atgal.

4.8 Laikymas ilgesnį laiką nenaudojant

Prieš pastatydami įrenginį uždaroje patalpoje, palaukite, kol vidaus degimo variklis atvės.

Įrenginį su ištuštintu degalų baku ir degalų atsargas laikykite rakinamoje ir gerai vėdinamoje patalpoje.

Įsitinkite, ar įrenginys apsaugotas nuo nesankcionuoto naudojimo (pvz., nuo vaikų).

Įrenginio, kuriame yra benzino, joku būdu nelaikykite pastato viduje. Susidarantys benzino garai gali pasiekti atvirą ugnį arba kibirkštis ir užsidegti.

Jei reikia ištuštinti degalų baką, pvz., prieš darant pertrauką žiemą, tai galima daryti tik atviroje vietoje (pvz., tuščiaja eiga).

Prieš padėdami įrenginį (pvz., žiemai), jį kruopščiai išvalykite.

Įrenginį į laikymo vietą padėkite tik ištraukę uždegimo žvakės antgalį.

Laikykite įrenginį neprikaištingos būklės.

Prieš uždengdami palaukite, kol įrenginys visiškai atvės.

4.9 Utilizavimas

Atliekos, pvz., sena alyva arba degalai, naudoti tepalai, filtrai, akumuliatorių baterijos ir panašios susidėvinčios detalės, gali pakenkti žmonėms, gyvūnams arba aplinkai, todėl jas tinkamai utilizuokite.

Norėdami sužinoti, kaip tinkamai utilizuoti atliekas, kreipkitės į antrinio perdirbimo centrą arba prekybos atstovą. STIHL rekomenduoja kreiptis į STIHL prekybos atstovą.

Įsitinkite, ar susidėvėjęs įrenginys bus tinkamai utilizuotas. Prieš utilizuodami padarykite taip, kad įrenginys būtų nebetinkamas naudoti. Norėdami išvengti

nelaimingų atsitikimų, pašalinkite aukštosios įtampos laidą, ištuštinkite baką ir išleiskite variklio alyvą.

Pavojus susižeisti pjovimo peiliu!

Net ir susidėvėjusios veļapjovės niekada nepalikite be priežiūros. Įsitikinkite, ar įrenginys, ypač pjovimo peilis, laikomas vaikams nepasiekiamoje vietoje.

5. Simbolių aprašymas



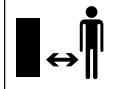
Dėmesio!

Prieš pradėdami naudoti įrenginį, perskaitykite jo naudojimo instrukciją.



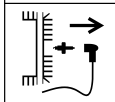
Pavojus susižeisti!

Pašaliniais asmenimis neleiskite būti pavojaus zonoje.



Pavojus susižeisti!

Prieš atlikdami techninės priežiūros, remonto ir bet kokius darbus prie pjovimo įrangos, ištraukite uždegimo žvakės antgalį.



Pavojus susižeisti!

Rankas ir kojas laikykite kuo toliau nuo peilių!



Išjungus įrenginį, pjovimo įranga dar kelias sekundes veikia (vidaus degimo variklio / peilio stabdys).



RM 443, RM 443 T, RM 448 PT, RM 448 T, RM 448 TX:

Vidaus degimo variklio užvedimas



RM 443, RM 443 T, RM 448 PT, RM 448 T, RM 448 TX:

Vidaus degimo variklio sustabdymas



RM 443 T, RM 448 PT, RM 448 T, RM 448 TX:

Važiavimo pavaros įjungimas



RM 448 PC, RM 448 TC, RM 448 VC:

Vidaus degimo variklio užvedimas



RM 448 PC, RM 448 TC, RM 448 VC:

Vidaus degimo variklio sustabdymas



RM 448 PC, RM 448 TC, RM 448 VC:

Važiavimo pavaros įjungimas



RM 448 VC:

važiavimo greičio nustatymas (⇒ 11.3)



6. Komplektas



Poz.	Pavadinimas	Vnt.
A	Pagrindinis įrenginys	1
B	Žolės surinkimo dėžės viršutinė dalis	1
C	Žolės surinkimo dėžės apatinė dalis	1
D	Kaištis	2
–	Naudojimo instrukcija	1
–	Naudojimo instrukcija Vidaus degimo variklis	1

RM 443, RM 443 T, RM 448 PT, RM 448 T, RM 448 TX:

Poz.	Pavadinimas	Vnt.
E	Greitojo įtempimo įtaisas	2
F	Varžtas	2
G	Laido tvirtinimo detalė	2
H	Apsauginės įvorės	2

RM 448 PC, RM 448 TC, RM 448 VC:

Poz.	Pavadinimas	Vnt.
I	Įvorė	1
J	Varžtas	1
K	Poveržlė	2
L	Veržlė	1

7. Įrenginio paruošimas eksploatacijai

7.1 Bendroji informacija



Pavojus susižeisti!

Atkreipkite dėmesį į skyriuje „Jūsų saugumui“ pateiktas saugos nuorodas (⇒ 4.).

- Atliekant visus aprašytus darbus, įrenginys turi stovėti ant horizontalaus, lygaus ir tvirto pagrindo.

7.2 Vienoje pusėje tvirtinamos valdymo rankenos montavimas (RM 448 PC, RM 448 TC, RM 448 VC)



- **1** Įkiškite įvorę (I) (I) į valdymo rankenos (1) kiaurymę.
- **2** Abi poveržles (K) išgaubimu į vidų užmaukite ant valdymo rankenos (1) įvorės.
- **3** Laikykite įvorę (I) ir poveržles (K) bei kartu su valdymo rankena (1) įstatykite į laikiklį valdymo rankenos svirtyje (2).
- **4** Prakiškite varžtą (J) iš išorės į vidų pro kiaurymės valdymo rankenoje (1) ir valdymo rankenos svirtyje (2).
- **5** Užsukite (L) veržlę.
- **6** Priveržkite varžtą (J). Priveržimo momentas: **18 - 22 Nm**

Lynų sistemų montavimas

- RM 448 PC, RM 448 TC:
Variklio išjungimo (3) ir važiavimo pavaros (4) lynų sistemas įstatykite į valdymo rankenos svirties ir valdymo rankenos lynų kreipiklius (6), kaip pavaizduota.
RM 448 VC:
Variklio išjungimo (3), važiavimo pavaros (4) ir kintamos pavaros (5) lynų sistemas įstatykite į valdymo rankenos svirties ir valdymo rankenos lynų kreipiklius (6), kaip pavaizduota.

7.3 Abiejose pusėse tvirtinamos valdymo rankenos montavimas (RM 443, RM 443 T, RM 448 PT, RM 448 T, RM 448 TX)



- Apsaugines įvoves (H) užmaukite ant abiejų valdymo rankenos apatinių dalių (1).
- Varžtą (F) prakiškite pro laido tvirtinimo detalės (G) kiaurymę.
- Valdymo rankenos viršutinę dalį (2) laikykite už valdymo rankenos apatinės dalies (1).
- Kairėje pusėje
Laido tvirtinimo detalę (G) užkabinkite už variklio išjungimo lynų sistemos (3).
- Dešinėje pusėje (RM 443 T, RM 448 PT, RM 448 T, RM 448 TX)
Laido tvirtinimo detalę (G) užkabinkite už važiavimo pavaros lynų sistemos (4).
- Abiejose pusėse prakiškite varžtą (F) iš vidaus į išorę pro kiaurymes.
- Greitojo įtempimo įtaisus (E) užsukite ant varžtų (F) (turi išsikišti maždaug vienas varžto sriegio žingsnis) ir atverskite į viršų.

- Patikrinkite, ar tinkamai sumontuota: greitojo įtempimo įtaisai (E) turi būti įtempiti tiek, kad gerai priglustų prie valdymo rankenos, o valdymo rankenos viršutinė dalis būtų tvirtai sujungta su valdymo rankenos apatine dalimi. Jeigu valdymo rankena netvirtai sumontuota arba greitojo įtempimo įtaisai yra netinkamoje padėtyje, tuomet greitojo įtempimo įtaisus atidarykite ir sukite, kol jie užsifiksuos.

7.4 Žolės surinkimo dėžės rinkimas



- Žolės surinkimo dėžės viršutinę dalį (B) uždėkite ant žolės surinkimo dėžės apatinės dalies (C). Atkreipkite dėmesį, ar tinkama padėtis kreipikliuose.
- Kaiščius (D) iš vidaus praspauskite per tam skirtas angas.
- Lengvai spustelėkite žolės surinkimo dėžės viršutinę dalį (B) ir taip užfiksuokite ją žolės surinkimo dėžės apatinėje dalyje.
- Žolės surinkimo dėžės užkabimas (⇒ 8.3).

7.5 Starterio trosso užkabimas ir nukabinimas



Užkabimas

- Numaukite nuo vidaus degimo variklio uždegimo žvakės antgalį.
- Variklio išjungimo rankeną (1) paspauskite valdymo rankenos link ir laikykite.
- Lėtai ištraukite starterio trosą (2).

- Atleiskite variklio išjungimo rankeną (1) ir starterio trosą (2) užkabinkite už lynų sistemos laikiklio (3).
- Užmaukite uždegimo žvakės antgalį.

Nukabinimas

- Numaukite nuo vidaus degimo variklio uždegimo žvakės antgalį.
- Starterio trosą (2) nukabinkite nuo lyno kreipiamosios (3).

7.6 Degalai ir variklio alyva



Stenkitės nepažeisti įrenginio!

Prieš pirmą kartą paleisdami variklį, įpilkite variklio alyvos. Norėdami pripilti variklio alyvos arba degalų, naudokite tinkamą pagalbinį pripylimo įtaisą (pvz., piltuvą).

Variklio alyva

Informaciją, kokią variklio alyvą ir kiek jos naudoti, rasite vidaus degimo variklio naudojimo instrukcijoje. Reguliariai tikrinkite alyvos pripildymo lygį (žr. vidaus degimo variklio naudojimo instrukciją). Nepripilkite alyvos nei per daug, nei per mažai.

Prieš pradėdami eksploatuoti vidaus degimo variklį, gerai užsukite alyvos bako dangtelį.

Degalai

Rekomenduojame naudoti šviežius, kokybiškus degalus, bešvinį benzina. Nurodymus dėl degalų kokybės (oktaninio skaičiaus) rasite vidaus degimo variklio naudojimo instrukcijoje.



8. Valdymo elementai

8.1 Vienoje pusėje tvirtinamos valdymo rankenos nustatymas (RM 448 PC, RM 448 TC, RM 448 VC)



Suspaudimo pavojus!

Prieš aktyvindami fiksavimo svirtį, viena ranka valdymo rankenos viršutinę dalį nuolat laikykite aukščiausioje vietoje. Niekada nelaikykite pirštų tarp valdymo rankenos ir svirties (virš fiksavimo svirties ir po ją).

Valdymo rankenos atlenkimas

Transportavimo pozicija (įrenginiui valyti, transportuoti ir laikyti taip, kad jis neužimtų vietos)

- Starterio trosą nukabinkite nuo lynų kreipiklio (⇒ 7.5)
- Prieš aktyvindami fiksavimo svirtį (2), valdymo rankenos viršutinę dalį viena ranka laikykite aukščiausioje vietoje ir šiek tiek kilstelėkite (sumažinkite apkrovą).
- Fiksavimo svirtį (1) spauskite žemyn ir laikykite.
- Valdymo rankeną (2) atlenkite į priekį.

Darbo padėtis (įrenginiui stumti)

- Atlenkite valdymo rankeną (2) atgal ir pasirūpinkite, kad valdymo rankena iki galo užsifikuotų.

- Starterio trosą užkabinkite už lynų kreipiklio. (⇒ 7.5)

Aukščio reguliavimas

Vienoje pusėje tvirtinamos valdymo rankenos aukštį galima nustatyti 2 pakopomis.

- Prieš aktyvindami fiksavimo svirtį (2), valdymo rankenos viršutinę dalį viena ranka laikykite aukščiausioje vietoje ir šiek tiek kilstelėkite (sumažinkite apkrovą).
- Fiksavimo svirtį (1) spauskite žemyn ir laikykite.
- Valdymo rankeną (2) nustatykite į pageidaujamą padėtį.
- Atleiskite fiksavimo svirtį (1) ir patikrinkite, ar valdymo rankena vėl iki galo užsifiksavo.

8.2 Abiejose pusėse tvirtinamos valdymo rankenos atlenkimas (RM 443, RM 443 T, RM 448 PT, RM 448 T, RM 448 TX)



Suspaudimo pavojus!

Atlaisvinus greitai veikiančius užraktus, gali atsilenkti valdymo rankenos viršutinė dalis. Todėl, atsklėsdami greitai veikiančius užraktus, viena ranka valdymo rankenos viršutinę dalį (2) visada laikykite nustatytą į aukščiausią padėtį.

Transportavimo padėtis (įrenginiui valyti, gabenti ir laikyti taip, kad jis neužimtų vietos):

- starterio trosą nukabinkite nuo lyno kreipiklio; (⇒ 7.5)

- atidarykite greitojo įtempimo įtaisą (1) – nuleiskite žemyn – ir atlenkite į priekį valdymo rankenos viršutinę dalį (2).

Darbo padėtis (įrenginiui stumti):

- valdymo rankenos viršutinę dalį (2) atlenkite atgal ir laikykite viena ranka;
- uždarykite greitojo įtempimo įtaisą (1) (atlenkite į viršų);
- starterio trosą užkabinkite už lyno kreipiklio. (⇒ 7.5)

8.3 Žolės surinkimo dėžė



Užkabinimas:

- atidarykite ir prilaikykite žolės išmetimo įrenginio dangtį (1);
- žolės surinkimo dėžę (2) fiksavimo noselėmis užkabinkite už laikiklių (3) galinėje įrenginio pusėje;
- uždarykite žolės išmetimo įrenginio dangtį (1).

Nukabinimas:

- atidarykite ir prilaikykite žolės išmetimo įrenginio dangtį (1);
- kilstelėkite žolės surinkimo dėžę (2) ir, traukdami atgal, ją nuimkite;
- uždarykite žolės išmetimo įrenginio dangtį (1).

8.4 Centrinis pjovimo aukščio reguliavimas



Galima nustatyti 6 skirtingus pjovimo aukščius.

1 pakopa = 25 mm

6 pakopa = 75 mm

Pjovimo aukščio nustatymas

- Suimkite rankeną (1), patraukite į viršų svirtį (2) ir laikykite.
- Pageidaujama pjovimo aukštį nustatysite įrenginį judindami aukštyn ir žemyn. Esamą pjovimo aukštį galima matyti pjovimo aukščio matuoklyje (3) ties žyma (4).
- Atleiskite fiksavimo svirtį (2) ir leiskite jai užsifiksuoti.

8.5 Žolės pripildymo matuoklis



Žolės surinkimo dėžės viršutinėje dalyje įrengtas žolės pripildymo matuoklis (1).

Oro srautas, kurį sukuria besisukantis pjovimo peilis ir kuris supučia žolę į žolės surinkimo dėžę, pakelia žolės pripildymo matuoklį (2): žolės surinkimo dėžė pripildoma nupjautos žolės.

Kai žolės surinkimo dėžė pripildoma, šis oro srautas susilpnėja, ir žolės pripildymo matuoklis nusileidžia (3):

- ištuštinkite pripildytą žolės surinkimo dėžę (⇒ 11.4).

9. Saugos įtaisai

Įrenginys yra pritaikytas saugiai valdyti, o apsaugai nuo netinkamo naudojimo užtikrinti jame įrengti keli saugos įtaisai.



Pavojus susižeisti!

Jeigu nustatoma, kad sugedo kuris nors iš saugos įtaisų, tuomet įrenginio negalima naudoti. Kreipkitės į prekybos atstovą. STIHL rekomenduoja STIHL prekybos atstovą.

9.1 Apsauginiai įtaisai

Vejapjovėje sumontuoti apsauginiai įtaisai, saugantys nuo netikėto sąlyčio su pjovimo peiliu ir išmesta nupjauta žole. Čia priskiriamas korpusas, žolės išmetimo dangtis, žolės surinkimo dėžė ir tinkamai sumontuotos valdymo rankenos.

9.2 Variklio išjungimo rankena

Vejapjovėje įmontuotas variklio išjungimo įrenginys.

Kai eksploatuojant suaktyvinama variklio išjungimo rankena, vidaus degimo variklis išjungiamas.

Vidaus degimo variklis ir peilis sustoja per 3 sekundes.



Sužalojimo pavojus!

Jei peilio papildomo veikimo laikas ilgesnis, įrenginio nebenaudokite ir pristatykite prekybos atstovui.

Papildomo veikimo laiko matavimas

Užvedus vidaus degimo variklį, peilis sukasi ir girdimas oro srauto keliamas triukšmas. Papildomo veikimo trukmė atitinka oro srauto keliamo triukšmo trukmę sustabdžius vidaus degimo variklį. Ją galima išmatuoti sekundmačiu.

10. Darbo nuorodos

Dailią ir tankią veją suformuosite, jei:

- pjausite mažu greičiu;
- pjausite dažnai, o vejos žolę paliksate trumpa;
- esant karštam ir sausam klimatui, vejos nepjausite per trumpai, nes ją išdeginis saulė ir veja taps nepatraukli;
- dirbsite su aštriu pjovimo peiliu – pjovimo peilį reguliariai pagaląskite (kreipkitės į prekybos atstovą);
- reguliariai keisite pjovimo kryptį.

10.1 Operatoriaus darbo sritis



- Užvedant ir veikiant vidaus degimo varikliui saugumo sumetimais operatorius visada turi būti darbo srityje už valdymo rankenos. Visada laikykitės valdymo rankenomis nustatyto saugaus atstumo.
- Vejapjovę leidžiama valdyti tik viename asmeniui. Pašaliniai asmenys turi būti atokiau nuo pavojaus zonos. (⇒ 4.)

11. Įrenginio naudojimo pradžia

11.1 Vidaus degimo variklio paleidimas



i Nejunkite vidaus degimo variklio aukštoje žolėje. Jei kyla sunkumų užvedant, pasirinkite didesnį pjovimo aukščio nustatymą. Užvestas vidaus degimo variklis dėl automatinio greičio reguliavimo visada veikia optimaliu darbinį sūkių skaičiumi.

- Paspauskite variklio išjungimo rankeną (1) valdymo rankenos link ir laikykite nuspaudę.
- Lėtai traukite starterio trosą (2), kol pajusite pasipriešinimą gniuždymui. Tuomet stipriai ir greitai jį truktelėkite iki rankos ilgio. Vėl lėtai atleiskite starterio trosą (2), kad jį būtų galima vėl suvynioti.
- Kartokite procesą, kol vidaus degimo variklis pradės veikti.

11.2 Vidaus degimo variklio sustabdymas



- Norėdami išjungti vidaus degimo variklį, paleiskite variklio išjungimo rankeną (1). Vidaus degimo variklis ir pjovimo peilis pasisukę kurį laiką iš inercijos sustoja.

11.3 Važiavimo pavara (RM 443 T, RM 448 PC, RM 448 PT, RM 448 T, RM 448 TX, RM 448 TC, RM 448 VC)



Vejapjovėse RM 443 T, RM 448 PC, RM 448 PT, RM 448 T, RM 448 TX, RM 448 TC ir RM 448 VC yra įrengta važiavimo pavara.

RM 443 T, RM 448 PC, RM 448 PT, RM 448 T, RM 448 TX, RM 448 TC: pavaros greitis pirmyn (įėjimo pavarų dėžė)

RM 448 VC:

važiuojant tolygiai nustatomas pavaros greitis pirmyn (kintama pavara)

Važiavimo pavaros įjungimas:

- Paleiskite vidaus degimo variklį. (⇒ 11.1)
- Važiavimo pavaros rankeną (1) patraukite valdymo rankenos link ir laikykite. Važiavimo pavara įsijungia ir vejapjovė pradeda judėti pirmyn.



Stenkitės nepažeisti įrenginio!

Važiavimo pavaros rankeną visada aktyvinkite iki galo (iki atramos), kad nebūtų sugadinta pavarų dėžė.

Pavaros greičio nustatymas (RM 448 VC)



Stenkitės nepažeisti įrenginio!

Kintamos pavaros svirtį (2) aktyvinkite tik veikiant vidaus degimo varikliui.

- Važiavimo greičio padidinimas: važiuojant kintamos pavaros svirtį (2) pastumkite pirmyn.



- Važiavimo greičio sumažinimas: važiuojant kintamos pavaros svirtį (2) patraukite atgal.



Važiavimo pavaros išjungimas:

- atleiskite važiavimo pavaros rankeną (1). Važiavimo pavara išsijungia ir vejapjovė sustoja. Vidaus degimo variklis veikia toliau.

11.4 Žolės surinkimo dėžės ištuštinimas



Pavojus susižeisti!

Prieš nukabindami žolės surinkimo dėžę, saugumo sumetimais sustabdykite vidaus degimo variklį.

- Nukabinkite žolės surinkimo dėžę. (⇒ 8.3)
- Žolės surinkimo dėžę atidarykite ties fiksatoriumi (1). Atlenkite žolės rinktuvo krepšio viršutinę dalį (2) ir laikykite. Atverskite žolės surinkimo dėžę atgal ir ištuštinkite nupjautą žolę.
- Uždarykite žolės surinkimo dėžę.
- Užkabinkite žolės surinkimo dėžę. (⇒ 8.3)

12. Techninė priežiūra

12.1 Bendroji informacija



Pavojus susižeisti!

Atkreipkite dėmesį į skyriuje „Jūsų saugumui“ pateiktas saugos nuorodas. (⇒ 4.)

Prekybos atstovo kasmet atliekama techninė priežiūra

Kartą per metus vejapjovę privalo patikrinti prekybos atstovas. STIHL rekomenduoja kreiptis į STIHL prekybos atstovą.

12.2 Vidaus degimo variklis

Techninės priežiūros intervalas:

žr. vidaus degimo variklio naudojimo instrukciją.

Bendrosios nuorodos

Laikykitės valdymo ir techninės priežiūros nuorodų, kurias galite rasti pridėtoje vidaus degimo variklio naudojimo instrukcijoje.

Jei norite, kad įrenginio eksploatacijos laikas būtų kuo ilgesnis, jame visuomet turi būti reikiamas kiekis alyvos. Taip pat būtina reguliariai keisti alyvos ir oro filtrus.

Rekomenduojamus alyvos keitimo intervalus, taip pat informaciją apie variklio alyvą ir apie tai, kokį jos kiekį pilti, rasite vidaus degimo variklio naudojimo instrukcijoje.

Aušinimo briaunos visada turi būti švarios, kad vidaus degimo variklis būtų pakankamai aušinamas.

12.3 Įrenginio valymas

Techninės priežiūros atlikimo intervalas: po kiekvieno naudojimo

Atliekant kruopščią priežiūrą įrenginys apsaugomas nuo gedimų ir pailginama jo eksploatacijos trukmė.



Pavojus susižeisti!

Išjunkite vidaus degimo variklį, nutraukite uždegimo žvakės antgalį ir leiskite įrenginiui atvėsti.

Prieš statydami įrenginį į valymo padėtį, ištuštinkite degalų baką (tuščiąja eiga).

Įrenginys, pastatytas į valymo padėtį, stovi saugiai tik atidarius žolės išmetimo įrenginio dangtį.

- Pasirinkite aukščiausią pjovimo pakopą. (⇒ 8.4)
- Nukabinkite žolės surinkimo dėžę. (⇒ 8.3)

Valymo padėtis RM 443, RM 443 T, RM 448 PT, RM 448 T, RM 448 TX:

- Laikykite valdymo rankenos viršutinę dalį (1) ir atidarykite greitojo įtempimo įtaisą – atlenkite žemyn.
- Valdymo rankenos viršutinę dalį (1) atlenkite atgal.
- Atidarykite ir prilaikykite žolės išmetimo įrenginio dangtį (2).
- Pakelkite įrenginio priekį ir, kaip parodyta, nustatykite į valymo padėtį.

Valymo padėtis RM 448 PC, RM 448 TC, RM 448 VC:

- Apversdami įrenginį stovėkite dešinėje jo pusėje.
- Valdymo rankenos viršutinę dalį leiskite į žemiausią padėtį (kol užsifiksuos, fiksavimo svirtis šioje padėtyje neužsifiksuoja). (⇒ 8.2)
- Dešiniąją ranką atidarykite ir prilaikykite žolės išmetimo įrenginio dangtį (2).

- Kairiaja ranka, kaip pavaizduota, suimkite svirtį ir paleiskite žolės išmetimo įrenginio dangtį. Tuo pačiu metu fiksavimo svirtį (3) nykščiu spauskite žemyn ir laikykite.
- Įrenginio rankeną suimkite dešine ranka ir lėtai verskite atgal, kol valdymo rankena atsirems į žemę, kaip pavaizduota.
- Paleiskite žolės išmetimo įrenginio dangtį (2) bei fiksavimo svirtį (3) ir patikrinkite, ar įrenginys saugiai stovi.

Valymo nuorodos:

- Nešvarumus nuvalykite nedideliu kiekiu vandens, šepetėliu arba šluoste. Taip pat pirmiausia švariai nuvalykite pjovimo peilį. Vandens srovės niekada nenukreipkite į vidaus degimo variklio dalis, sandariklius, guolius.
- Iš pradžių medine lazdele nuvalykite prilipusius žolės likučius.
- Prireikus naudokite specialų valiklį (pvz., specialų STIHL valiklį).

12.4 Peilio susidėvėjimo tikrinimas



Techinę priežiūrą būtina atlikti: prieš kiekvieną naudojimą.



Pavojus susižeisti!

Peilis skirtingai nusidėvi, atsižvelgiant į naudojimo vietą ir trukmę. Jei įrenginį naudojate ant smėlėto paviršiaus arba dažnai sausomis sąlygomis, peilio apbrova padidėja ir jis itin greitai susidėvi. Susidėvėjęs peilis gali nulūžti ir sunkiai sužeisti. Visada būtina laikytis peilio techninės priežiūros nurodymų.

- Atlenkite vejąpjovę į valymo padėtį. (⇒ 12.3)
- Nuvalykite pjovimo peilį (1).
- Prie priekinės peilio briaunos pridėkite liniuotę (1) ir išmatuokite sudilimą **A**.
- Peilio plotį **B** išmatuokite ištraukiamu peilio kalibravimo prietaisu (2).
- Peilio storį **C** bent 5 vietose išmatuokite ištraukiamu peilio kalibravimo prietaisu (2). Mažiausias storis turi būti taip pat peilių sparnelių srityje.

Susidėvėjimo ribos

Sudilimas **A**: < 15 mm

Peilio plotis **B**: > 39 mm

Peilio storis **C**: > 2 mm

Pakeiskite peilį:

- jei jis susidėvėjęs arba pažeistas (įpjovos, plyšiai);
- kai išmatuotos vertės pasiekiamos vienoje ar keliose vietose, arba viršija leistinas ribas.

Jei vejąpjovėje sumontuotas ne komplekte esantis peilis, o, pvz., universalus peilis, įsigyjamas kaip specialus priedas, atitinkamai galioja kitos susidėvėjimo ribos (žr. įrenginio naudojimo instrukciją).

12.5 Pjovimo peilio išmontavimas ir įmontavimas



Išmontavimas

- Raskite tinkamą medžio gabalą (1) pjovimo peiliui (2) laikyti.
- Išsukite peilio varžtą (3). Išimkite pjovimo peilį (2), peilio varžtą (3) ir fiksavimo poveržlę (4).

Montavimas



Pavojus susižeisti!

Pjovimo peilį (2) galima montuoti tik taip, kaip pavaizduota. Plokštelės (7) turi būti nukreiptos žemyn, o į viršų išlenkti peilio sparneliai – į viršų.

Tiksliai laikykitės nurodyto peilio varžto priveržimo momento, nes nuo jo priklauso pjovimo įrangos pritvirtinimo tvirtumas. Peilio varžtą (3) papildomai užfiksukite su „Loctite 243“.

Fiksavimo poveržlę (4) pakeiskite kaskart, kai montuojate peilius, peilio varžtą (3) – kaskart, kai keičiate peilius.

- Nuvalykite atraminį peilio paviršių ir peilio įvorę.
- Pjovimo peilį (2) montuokite išlenktais sparneliais į viršų (nukreiptais į įrenginį). Peilio įvorės fiksavimo noselės (5) turi būti pjovimo peilio kiaurymėse (6).
- Raskite tinkamą medžio gabalą (1) pjovimo peiliui (2) laikyti.
- Įsukite ir priveržkite peilio varžtą (3) nauja fiksavimo poveržle (4). Priveržimo momentas **60 - 65 Nm**

12.6 Pjovimo peilio galandimas

STIHL rekomenduoja pjovimo peilio galandimą patikėti specialistui. Netinkamai išgaląstas peilis (netinkamas galandimo kampas, disbalansas ir t. t.) veikia įrenginio veikimą.

Galandimo instrukcija:

- Išmontuokite pjovimo peilį. (⇒ 12.5)

- Galąsdami pjovimo peilį, aušinkite jį, pvz., vandeniu. Atsiradus mėlynam atspalviui, pablogėja peilio pjovimo savybės.
- Galąskite peilį tolygiai, nes dirbant jis gali vibruoti.
- Išlaikykite 30° galandimo kampą.
- Baigę galąsti, jei reikia, ant pjovimo briaunos susidariusias galandimo atplaišas pašalinkite šlifavimo popieriumi.
- Atsižvelkite į susidėvėjimo ribas. (⇒ 12.4)

12.7 Laikymas ir darbų nutraukimas (žiemos pertrauka)

Įrenginį laikykite sausoje, uždaroje ir nedulkėtoje patalpoje. Įsitinkinkite, ar įrenginys yra vaikams nepasiekiamoje vietoje.

Prieš padėdami į laikymo vietą, pašalinkite galimas triktis. Įrenginys visada turi būti saugus eksploatuoti.

Prieš pastatydami į laikymo vietą, iš degalų bako išleiskite degalus ir ištuštinkite karbiuratorių (pvz., tuščiaja eiga).

Jei įrenginio nenaudosite ilgiau (žiemos pertrauka), papildomai atkreipkite dėmesį į šiuos punktus:

- rūpestingai nuvalykite visas išorines įrenginio dalis;
- visas judančias dalis kruopščiai sutepkite alyva arba tepalu;

- išsukite uždegimo žvakę (žr. vidaus degimo variklio naudojimo instrukciją) ir per jos angą į vidaus degimo variklį įpilkite apie 3 cm³ variklio alyvos. Vidaus degimo variklį kelis kartus pasukite be uždegimo žvakės (patraukite už starterio trosą);



Gaisro pavojus!

Uždegimo žvakės antgalį laikykite toliau nuo uždegimo žvakės angos, nes antgalis gali užsidegti.

- vėl įsukite uždegimo žvakę (žr. vidaus degimo variklio naudojimo instrukciją);
- pakeiskite alyvą (žr. vidaus degimo variklio naudojimo instrukciją);
- uždenkite vidaus degimo variklį ir laikykite įrenginį įprasta padėtimi.

13. Gabenimas

13.1 Gabenimas



Sužalojimo pavojus!

Prieš gabendami, atkreipkite dėmesį į skyrių „Jūsų saugumui“. (⇒ 4.)

Gabendami dėvėkite tinkamą apsauginę aprangą (avėkite apsauginiais batais, mūvėkite atspariomis pirštinėmis). Prieš keldami arba gabendami, visada nutraukite uždegimo žvakės antgalį. Saugumo sumetimais STIHL rekomenduoja įrenginį kelti arba nešti tik padedant antram asmeniui. Prieš keldami, atsižvelkite į skyriuje „Techniniai duomenys“ nurodytą masę.

Įrenginio nešimas

- Du asmenys
Kelkite įrenginį tik už priekinės rankenos (1) ir valdymo rankenos (3). Stenkitės, kad nuo Jūsų kūno, ypač kojų ir pėdų, iki pjovimo peilio visada liktų gana didelis atstumas.
- Vienas asmuo
Kelkite arba neškite įrenginį viena ranka suėmę galinės gabenimo rankenos (2) vidurį, kita – priekinę gabenimo rankeną (1).

Įrenginio tvirtinimas

- Tinkamomis tvirtinimo priemonėmis pritvirtinkite įrenginį prie krovimo platformos.

- Lynus arba diržus pritvirtinkite pažymėtuose taškuose (4).

14. Aplinkos apsauga



Nupjautos žolės nereikėtų išmesti su šiukšlėmis, ją galima panaudoti kompostui.

Pakuotės, įrenginys ir priedai pagaminti iš perdirbamų medžiagų, todėl juos reikia atitinkamai utilizuoti.

Jei medžiagos likučius utilizuosite atskirai ir laikydamiesi aplinkos apsaugos reikalavimų, juos bus galima perdirbti bei dar kartą panaudoti. Todėl, pasibaigus įprastam įrenginio naudojimo laikui, jį reikia pristatyti į vertingų medžiagų surinkimo punktą. Utilizuodami ypač atkreipkite dėmesį į skyriuje „Utilizavimas“ pateiktus duomenis (⇒ 4.9).

Norėdami sužinoti, kaip tinkamai utilizuoti atliekas, kreipkitės į perdirbimo centrą arba prekybos atstovą.

15. Dėvėjimosi mažinimas ir priemonės, padedančios išvengti gedimų

Svarbios gaminių grupės techninės ir kitokios priežiūros nuorodos

Benzininės vejapjovės (STIHL RM)

Bendrovė STIHL neatsako už materialinę ir asmeninę žalą, jei ji kilo dėl naudojimo instrukcijos nuorodų, susijusių su sauga, valdymu ir technine priežiūra, nesilaikymo ar neleistinų priedų arba atsarginių dalių naudojimo.

Būtinai laikykitės toliau pateiktų svarbių nuorodų, kad nesugadintumėte savo STIHL įrenginio ir jis nesusidėvėtų per greitai.

1. Susidėvinčios dalys

Kai kurios STIHL įrenginio dalys, net ir naudojamos pagal paskirtį, dyla. Tai įprasta, todėl, atsižvelgiant į naudojimo pobūdį ir trukmę, šios dalys turi būti laiku pakeistos.

Tokios dalys yra:

- Pjovimo peilis
- žolės surinkimo dėžė,
- pavaros diržas (RM 443 T, RM 448 PC, RM 448 PT, RM 448 T, RM 448 TC, RM 448 TX, RM 448 VC)

2. Šioje naudojimo instrukcijoje pateiktų nuorodų laikymasis

STIHL įrenginys turi būti naudojamas, techniškai prižiūrimas ir saugomas taip, kaip aprašyta šioje naudojimo instrukcijoje. Už visus gedimus, atsiradusius nesilaikant saugumo nuorodų, priežiūros taisyklių ir techninių reikalavimų, atsako pats naudotojas.

Ypač tai galioja šiais atvejais:

- kai atliekami įrenginio pakeitimai, kuriems nepritarė bendrovė STIHL;
- naudojant STIHL neleidžiamas eksploatacines medžiagas (tepalus, benzina ir variklio alyvą, žr. vidaus degimo variklio gamintojo informaciją);
- naudojant įrankius arba priedus, kurių neleidžiama naudoti su įrenginiu ir kurie netinka įrenginiui arba yra blogesnės kokybės;
- naudojant gaminį ne pagal paskirtį;

- naudojant gaminį sporto renginiuose arba varžybose;
- atsiradus gedimams, kai sugedus konstrukcinėms dalims gaminys tebenudojamas.

3. Techninės priežiūros darbai

Visi darbai, nurodyti skyriuje „Techninė priežiūra“, turi būti atliekami reguliariai.

Jei naudotojas negali šių techninės priežiūros darbų atlikti pats, jis privalo kreiptis į prekybos atstovą.

STIHL rekomenduoja, kad techninės priežiūros ir remonto darbus atliktų tik STIHL prekybos atstovas.

STIHL prekybos atstovai reguliariai mokomi, jiems suteikiama reikalinga techninė informacija.

Neatlikus tokių darbų laiku, gali atsirasti gedimų, už kuriuos atsako pats įrenginio naudotojas.

Prie jų priskiriami ir tokie gedimai:

- korozija ir kiti vėliau atsirandantys gedimai dėl netinkamo laikymo;
- įrenginio pažeidimai, atsiradę dėl blogesnės kokybės atsarginių dalių naudojimo;
- gedimai dėl ne laiku atliktos ar neatidžios techninės priežiūros, gedimai dėl techninės priežiūros ir remonto darbų, atliktų ne prekybos atstovo dirbtuvėse.

16. Įprastos atsarginės dalys

Pjovimo peilis RM 443, RM 443 T:

6338 702 0100

**Pjovimo peilis RM 448 PC, RM 448 PT,
RM 448 T, RM 448 TC, RM 448 TX,
RM 448 VC:**

6358 702 0100

Peilio varžtas:

9008 319 9028

Fiksavimo poveržlė:

0000 702 6600



Keičiant arba montuojant peilį, reikia pakeisti pjovimo peilio tvirtinimo dalis (pvz., peilio varžtą). Atsarginių dalių galima įsigyti iš STIHL prekybos atstovo.

17. ES gamintojo atitikties deklaracija

17.1 Benzininės veļapjovės (STIHL RM)

STIHL Tirol GmbH
Hans Peter Stihl–Straße 5
6336 Langkampfen
Austrija

atsakingai pareiškia, kad įrenginys

Veļapjovė, valdoma rankomis, su vidaus degimo varikliu (STIHL RM)

Gamintojo ženklas: STIHL

Serijos numeris: **6338**

Tipas: RM 443.0
RM 443.0 T

Serijos numeris: **6358**

Tipas: RM 448.0 PC
RM 448.0 PT
RM 448.0 T
RM 448.0 TC

Gamintojo ženklas: STIHL

RM 448.0 TX

RM 448.0 VC

atitinka šias EB direktyvas:

2011/65/EU, 2000/14/EC, 2014/30/EU,
2006/42/EC

Gaminys sukonstruotas ir pagamintas remiantis šiais standartais:
EN ISO 5395-1, EN ISO 5395-2, EN 14982

Gaminiai sukonstruoti ir pagaminti remiantis gamybos dieną galiojančiomis standartų versijomis.

Taikyta atitikties įvertinimo procedūra:
VIII priedas (2000/14/EC)

Įgaliotosios vertinimo institucijos pavadinimas ir adresas:

TÜV Rheinland LGA Products GmbH
Tillystraße 2
D-90431 Nürnberg

Techniniai dokumentai, parengti ir saugomi:
Sven Zimmermann
STIHL Tirol GmbH

Pagaminimo metai ir įrenginio numeris nurodyti prietaiso techninių duomenų lentelėje.

Išmatuotas garso galios lygis –

RM 443.0	93,0 dB(A)
RM 443.0 T	93,0 dB(A)
RM 448.0 PC	95,3 dB(A)
RM 448.0 PT	95,3 dB(A)
RM 448.0 T	95,7 dB(A)
RM 448.0 TC	95,7 dB(A)
RM 448.0 TX	95,3 dB(A)
RM 448.0 VC	95,3 dB(A)

Garantuotas garso galios lygis:

RM 443.0	94 dB(A)
RM 443.0 T	94 dB(A)
RM 448.0 PC	96 dB(A)
RM 448.0 PT	96 dB(A)
RM 448.0 T	96 dB(A)
RM 448.0 TC	96 dB(A)
RM 448.0 TX	96 dB(A)
RM 448.0 VC	96 dB(A)

Langkampfenas,
2019-01-02 (MtMtMtMt-MnMn-DD)

STIHL Tirol GmbH

einantis pareigas

Sven Zimmermann

Konstravimo skyriaus vadovas

18. Techniniai duomenys

**RM 443.0, RM 443.0 T, RM 448.0 PC,
RM 448.0 PT, RM 448.0 T, RM 448.0 TC,
RM 448.0 TX, RM 448.0 VC:**

Vidaus degimo variklis, konstrukcijos tipas	4-taktų vidaus degimo variklis
Paleidimo įrenginys	Starterio troselis
Pjovimo mechanizmas	Peilio laikiklis

Peilio laikiklio pavara	Nuolatinė
Peilio varžto priveržimo momentas	60 - 65 Nm
Saugos įtaisas	Variklio išjungimas
Priekinio rato skersmuo	180 mm
Galinio rato skersmuo	200 mm
Žolės surinkimo dėžės pripildymo kiekis	55 l
Pjovimo aukštis	25 - 75 mm
RM 443.0, RM 443.0 T:	
Serijos Nr.	6338
Pjovimo plotis:	41 cm
RM 443.0:	
Vidaus degimo variklis: gamintojas, tipas	Briggs & Stratton, Series 550 EX OHV RS
Cilindro darbinis tūris	140 cm ³
Vardinė galia esant vardiniam sūkių skaičiui	2,1 - 2800 kW - sūk./min.
Degalų bakas	0,8 l
Peilio laikiklio sūkių skaičius	2800 sūk./min.
Ratų pavara	ne
Ilgis	144 cm
Plotis	49 cm
Aukštis	109 cm
Svoris	23 kg
Garso emisija	
Pagal direktyvą 2000/14/EC:	
Garantuotas garso galios lygis L _{WA} d	94 dB(A)
Pagal direktyvą 2006/42/EC:	
Garso slėgio lygis darbo vietoje L _{pA}	81 dB(A)
Neapibrėžtis K _{pA}	2 dB(A)
Plaštakos ir rankos vibracija	
Deklaruojamoji vibracijos tipinė vertė pagal EN 12096:	
Išmatuoti vertė a _{hw}	4,10 m/s ²
Neapibrėžtis K _{hw}	2,05 m/s ²
Matavimas pagal EN 20643	

Garso slėgio lygis darbo vietoje L _{pA}	81 dB(A)
Neapibrėžtis K _{pA}	2 dB(A)
Plaštakos ir rankos vibracija	
Deklaruojamoji vibracijos tipinė vertė pagal EN 12096:	
Išmatuoti vertė a _{hw}	4,10 m/s ²
Neapibrėžtis K _{hw}	2,05 m/s ²
Matavimas pagal EN 20643	
RM 443.0 T:	
Vidaus degimo variklis: gamintojas, tipas	Briggs & Stratton, Series 550 EX OHV RS
Cilindro darbinis tūris	140 cm ³
Vardinė galia esant vardiniam sūkių skaičiui	2,1 - 2800 kW - sūk./min.
Degalų bakas	0,8 l
Peilio laikiklio sūkių skaičius	2800 sūk./min.
Ratų pavara	1 pavara į priekį su tolygaus paleidimo funkcija
Ilgis	144 cm
Plotis	48 cm
Aukštis	109 cm
Svoris	25 kg
Garso emisija	
Pagal direktyvą 2000/14/EC:	
Garantuotas garso galios lygis L _{WA} d	94 dB(A)
Pagal direktyvą 2006/42/EC:	
Garso slėgio lygis darbo vietoje L _{pA}	81 dB(A)
Neapibrėžtis K _{pA}	2 dB(A)
Plaštakos ir rankos vibracija	
Deklaruojamoji vibracijos tipinė vertė pagal EN 12096:	
Išmatuoti vertė a _{hw}	4,10 m/s ²
Neapibrėžtis K _{hw}	2,05 m/s ²
Matavimas pagal EN 20643	

Deklaruojamoji vibracijos tipinė vertė pagal EN 12096:	
Išmatuoti vertė a _{hw}	4,10 m/s ²
Neapibrėžtis K _{hw}	2,05 m/s ²
Matavimas pagal EN 20643	
RM 448.0 PC, RM 448.0 PT, RM 448.0 T, RM 448.0 TC, RM 448.0 TX, RM 448.0 VC:	
Serijos Nr.	6358
Pjovimo plotis	46 cm
RM 448.0 PC:	
Vidaus degimo variklis: gamintojas, tipas	Briggs & Stratton, Series 625
Cilindro darbinis tūris	150 cm ³
Vardinė galia esant vardiniam sūkių skaičiui	2,2 - 2800 kW - sūk./min.
Degalų bakas	0,8 l
Peilio laikiklio sūkių skaičius	2800 sūk./min.
Ratų pavara	1 pavara į priekį su tolygaus paleidimo funkcija
Ilgis	147 cm
Plotis	50 cm
Aukštis	113 cm
Svoris	27 kg
Garso emisija	
Pagal direktyvą 2000/14/EC:	
Garantuotas garso galios lygis L _{WA} d	96 dB(A)
Pagal direktyvą 2006/42/EC:	
Garso slėgio lygis darbo vietoje L _{pA}	83 dB(A)
Neapibrėžtis K _{pA}	2 dB(A)
Plaštakos ir rankos vibracija	
Deklaruojamoji vibracijos tipinė vertė pagal EN 12096:	
Išmatuoti vertė a _{hw}	4,10 m/s ²
Neapibrėžtis K _{hw}	2,05 m/s ²
Matavimas pagal EN 20643	

Deklaruojamoji vibracijos tipinė vertė pagal EN 12096:

Išmatuoti vertė a_{hw} 3,00 m/s²

Neapibrėžtis K_{hw} 1,50 m/s²

Matavimas pagal EN 20643

RM 448.0 PT:

Vidaus degimo variklis: gamintojas, tipas Briggs & Stratton, Series 625

Cilindro darbinis tūris 150 cm³

Vardinė galia esant vardiniam sūkių skaičiui 2,2 - 2800 kW - sūk./min.

Degalų bakas 0,8 l

Peilio laikiklio sūkių skaičius 2800 sūk./min.

Ratų pavara 1 pavara į priekį su tolygaus paleidimo funkcija

Ilgis 147 cm

Plotis 50 cm

Aukštis 111 cm

Svoris 27 kg

Garso emisija

Pagal direktyvą 2000/14/EC:

Garantuotas garso galios lygis L_{WAAd} 96 dB(A)

Pagal direktyvą 2006/42/EC:

Garso slėgio lygis darbo vietoje L_{pA} 83 dB(A)

Neapibrėžtis K_{pA} 2 dB(A)

Plaštakos ir rankos vibracija

Deklaruojamoji vibracijos tipinė vertė pagal EN 12096:

Išmatuoti vertė a_{hw} 3,90 m/s²

Neapibrėžtis K_{hw} 1,95 m/s²

Matavimas pagal EN 20643

RM 448.0 T:

Vidaus degimo variklis: gamintojas, tipas Briggs & Stratton, Series 575

Cilindro darbinis tūris 140 cm³

Vardinė galia esant vardiniam sūkių skaičiui 2,1 - 2800 kW - sūk./min.

Degalų bakas 0,8 l

Peilio laikiklio sūkių skaičius 2800 sūk./min.

Ratų pavara 1 pavara į priekį su tolygaus paleidimo funkcija

Ilgis 147 cm

Plotis 50 cm

Aukštis 111 cm

Svoris 26 kg

Garso emisija

Pagal direktyvą 2000/14/EC:

Garantuotas garso galios lygis L_{WAAd} 96 dB(A)

Pagal direktyvą 2006/42/EC:

Garso slėgio lygis darbo vietoje L_{pA} 83 dB(A)

Neapibrėžtis K_{pA} 2 dB(A)

Plaštakos ir rankos vibracija

Deklaruojamoji vibracijos tipinė vertė pagal EN 12096:

Išmatuoti vertė a_{hw} 3,90 m/s²

Neapibrėžtis K_{hw} 1,95 m/s²

Matavimas pagal EN 20643

RM 448.0 TC:

Vidaus degimo variklis: gamintojas, tipas Briggs & Stratton, Series 575

Cilindro darbinis tūris 140 cm³

Vardinė galia esant vardiniam sūkių skaičiui 2,1 - 2800 kW - sūk./min.

Degalų bakas 0,8 l

Peilio laikiklio sūkių skaičius 2800 sūk./min.

Ratų pavara 1 pavara į priekį su tolygaus paleidimo funkcija

Ilgis 147 cm

Plotis 50 cm

Aukštis 113 cm

Svoris 27 kg

Garso emisija

Pagal direktyvą 2000/14/EC:

Garantuotas garso galios lygis L_{WAAd} 96 dB(A)

Pagal direktyvą 2006/42/EC:

Garso slėgio lygis darbo vietoje L_{pA} 83 dB(A)

Neapibrėžtis K_{pA} 2 dB(A)

Plaštakos ir rankos vibracija

Deklaruojamoji vibracijos tipinė vertė pagal EN 12096:

Išmatuoti vertė a_{hw} 3,50 m/s²

Neapibrėžtis K_{hw} 1,75 m/s²

Matavimas pagal EN 20643

RM 448.0 TX:

Vidaus degimo variklis: gamintojas, tipas Briggs & Stratton, Series 550 EX OHV RS

Cilindro darbinis tūris 140 cm³

Vardinė galia esant vardiniam sūkių skaičiui 2,1 - 2800 kW - sūk./min.

Degalų bakas 0,8 l

Peilio laikiklio sūkių skaičius	2800 sūk./min.
Ratų pavara	1 pavara į priekį su tolygaus paleidimo funkcija
Ilgis	147 cm
Plotis	50 cm
Aukštis	111 cm
Svoris	26 kg

Garso emisija

Pagal direktyvą 2000/14/EC:	
Garantuotas garso galios lygis L_{WA}	96 dB(A)
Pagal direktyvą 2006/42/EC:	
Garso slėgio lygis darbo vietoje L_{pA}	83 dB(A)
Neapibrėžtis K_{pA}	2 dB(A)

Plaštakos ir rankos vibracija

Deklaruojamoji vibracijos tipinė vertė pagal EN 12096:	
Išmatuoti vertė a_{hw}	4,10 m/s ²
Neapibrėžtis K_{hw}	2,05 m/s ²
Matavimas pagal EN 20643	

RM 448.0 VC:

Vidaus degimo variklis: gamintojas, tipas	Briggs & Stratton, Series 625
Cilindro darbinis tūris	150 cm ³
Vardinė galia esant vardiniam sūkių skaičiui	2,2 - 2800 kW - sūk./min.
Degalų bakas	0,8 l
Peilio laikiklio sūkių skaičius	2800 sūk./min.
Ratų pavara	priekinė „Vario“
Ilgis	147 cm
Plotis	50 cm

Aukštis	113 cm
Svoris	28 kg

Garso emisija

Pagal direktyvą 2000/14/EC:	
Garantuotas garso galios lygis L_{WA}	96 dB(A)
Pagal direktyvą 2006/42/EC:	
Garso slėgio lygis darbo vietoje L_{pA}	83 dB(A)
Neapibrėžtis K_{pA}	2 dB(A)

Plaštakos ir rankos vibracija

Deklaruojamoji vibracijos tipinė vertė pagal EN 12096:	
Išmatuoti vertė a_{hw}	3,00 m/s ²
Neapibrėžtis K_{hw}	1,50 m/s ²
Matavimas pagal EN 20643	

18.1 REACH

REACH – tai EB reglamentas dėl cheminių medžiagų registracijos, įvertinimo, autorizacijos ir apribojimų.

Informacija apie REACH reglamento (EB) Nr. 1907/2006 vykdymą pateikta adresu www.stihl.com/reach.

19. Gedimų paieška

✘ Jei reikia, kreipkitės į prekybos atstovą. STIHL rekomenduoja kreiptis į STIHL prekybos atstovą.

📖 Žr. vidaus degimo variklio naudojimo instrukciją.

Sutrikimas

Vidaus degimo variklis nepasileidžia.

Galimos priežastys:

- neaktyvinta variklio išjungimo rankena;
- bake nėra kuro; užsikišo kuro vamzdelis;
- bake esantis kuras prastos kokybės, užterštas arba pasenęs;
- užterštas oro filtras;
- uždegimo žvakės antgalis nuimtas nuo uždegimo žvakės; aukštosios įtampos laidas blogai pritvirtintas prie antgalio;
- uždegimo žvakė su apdegusiu izoliatoriumi ar sugadinta; netinkamai nustatytas atstumas tarp elektrodų;

Ką daryti?

- Paspauskite variklio išjungimo rankeną valdymo rankenos link ir laikykite nuspaudę. (⇒ 9.2)
- Pripilkite kuro; išvalykite kuro vamzdelį. ✘
- Visada naudokite šviežią kokybišką kurą, bešvinį benziną; išvalykite karbiuratorių. ✘
- Išvalykite oro filtrą. ✘
- Užmaukite uždegimo žvakės antgalį; patikrinkite jungtį tarp aukštosios įtampos laido ir antgalio. ✘
- Nuvalykite arba pakeiskite uždegimo žvakę; nustatykite atstumą tarp elektrodų. ✘

Sutrikimas

Vidaus degimo variklis sunkiai pasileidžia arba sumažėjo jo galia.

Galima priežastis

- Užsikišo vejamovės korpusas.
- Pjaunama nustačius per mažą pjovimo pakopą arba esant pasirinktam pjovimo aukščiui stumiamam per greitai.
- Kuro bake ir karbiuratoriuje yra vandens; užsikišo karbiuratorius.

- Užterštas kuro bakas.
- Užterštas oro filtras.
- Aprūkusi uždegimo žvakė.

Ką daryti?

- Išvalykite veļapjovės korpusą (nutraukite uždegimo žvakės antgalį!). (⇒ 12.3)
- Nustatykite aukštesnę pjovimo pakopą arba sumažinkite stūmimo greitį. (⇒ 8.4)
- Ištuštinkite kuro baką, išvalykite kuro vamzdelį ir karbiuratorių. ✘
- Išvalykite kuro baką. ✘
- Išvalykite oro filtrą. ✘
- Išvalykite uždegimo žvakę. ✘

Sutrikimas

Vidaus degimo variklis labai įkaista.

Galimos priežastys

- Vidaus degimo variklyje per mažai alyvos.
- Nešvari aušinimo briauna.

Ką daryti

- Pakeiskite variklio alyvą. (⇒ 7.6)
- Išvalykite aušinimo briauną. (⇒ 12.3)

Sutrikimas

Dirbant atsiranda didelė vibracija.

Galimos priežastys

- Sugedęs pjovimo blokas.
- Atsilaisvinimo vidaus degimo variklio tvirtinimo elementas.

Ką daryti?

- Patikrinkite ir, jei reikia, suremontuokite pjovimo peilį, peilių veleną ir peilio tvirtinimo detales (peilio varžtą ir fiksavimo poveržlę). ✘
- Priveržkite vidaus degimo variklio tvirtinimo varžtus. ✘

Sutrikimas

Pjauna nešvariai, veja pagelsta.

Galimos priežastys

- Atšipęs arba susidėvėjęs pjovimo peilis.

Ką daryti?

- Pagaląskite arba pakeiskite pjovimo peilį. (⇒ 12.6), (⇒ 12.5), ✘

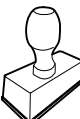
20. Techninės priežiūros planas

20.1 Perdavimo patvirtinimas

Modelis: _____

Serijos Nr.:

Data:



Kita techninė priežiūra

Data:

20.2 Techninės priežiūros patvirtinimas



Atlikdami techninės priežiūros darbus, perduokite šią naudojimo instrukciją STIHL prekybos atstovui. Jis patvirtins atspausdintuose laukeliuose, kad buvo atlikti techninės priežiūros darbai.

 Techninės priežiūros atlikimo data

 Kitos techninės priežiūros data

Stimată clientă, stimate client,

ne bucurăm că ați ales STIHL. Dezvoltăm și executăm produsele noastre în calitate de vârf, conform nevoilor clienților noștri. În felul acesta iau naștere produse de mare fiabilitate chiar și în condiții de solicitare extremă.

STIHL înseamnă calitate de vârf și în domeniul de service. Atelierele noastre de specialitate oferă consiliere și instrucțiuni competente, ca și o îngrijire tehnică cuprinzătoare.

Vă mulțumim pentru încredere și vă dorim multă bucurie cu produsul STIHL pe care îl dețineți.



Dr. Nikolas Stihl

IMPORTANT! ÎNAINTE DE UTILIZARE, CITIȚI ȘI PĂSTRAȚI INSTRUCȚIUNILE.

1. Cuprins

Despre aceste instrucțiuni de utilizare	218	Reglarea ghidonului cu un braț (RM 448 PC, RM 448 TC, RM 448 VC)	228
Generalități	218	Rabaterea ghidonului dublu (RM 443, RM 443 T, RM 448 PT, RM 448 T, RM 448 TX)	228
Indicații privind citirea instrucțiunilor de utilizare	218	Coșul de colectare iarbă	228
Descrierea aparatului	219	Sistemul central de reglare a înălțimii de tăiere	228
Pentru siguranța dvs.	219	Indicatorul nivelului de umplere	229
Generalități	219	Dispozitive de siguranță	229
Alimentarea – manipularea benzinei	220	Dispozitive de protecție	229
Îmbrăcămintea și echipamentul de lucru	221	Manetă de oprire motor	229
Transportul aparatului	221	Indicații pentru lucru	229
Înainte de începerea lucrului	221	Zona de lucru a operatorului	229
În timpul lucrului	222	Punerea în funcțiune a aparatului	230
Întreținerea și repararea	224	Pornirea motorului cu ardere internă	230
Depozitarea în cazul pauzelor de funcționare mai lungi	225	Oprirea motorului cu ardere internă	230
Evacuarea la deșeuri	225	Sistemul de acționare pentru deplasare (RM 443 T, RM 448 PC, RM 448 PT, RM 448 T, RM 448 TX, RM 448 VC)	230
Descrierea simbolurilor	225	Golirea coșului de colectare iarbă	230
Conținutul pachetului	226	Întreținerea	231
Pregătirea aparatului pentru lucru	226	Generalități	231
Generalități	226	Motorul cu ardere internă	231
Montarea ghidonului cu un braț (RM 448 PC, RM 448 TC, RM 448 VC)	226	Curățarea aparatului	231
Montarea ghidonului dublu (RM 443, RM 443 T, RM 448 PT, RM 448 T, RM 448 TX)	227	Verificarea uzurii cuțitelor	232
Asamblarea coșului de colectare iarbă	227	Demontarea și montarea cuțitului	232
Prinderea și desprinderea cablului de pornire	227	Ascuțirea cuțitului	232
Carburantul și uleiul de motor	227	Conservarea și scoaterea temporară din funcțiune (pauza de iarnă)	233
Elemente de comandă	228	Transportul	233
		Transportul	233
		Protecția mediului	234

Reducerea uzurii și evitarea deteriorărilor	234
Piese de schimb cerute mai frecvent	235
Declarația de conformitate UE	235
Mașină de tuns iarba cu motor pe benzină (STIHL RM)	235
Specificații tehnice	236
REACH	238
Identificarea cauzelor defecțiunilor	238
Planul de întreținere	239
Confirmare de predare	239
Confirmare de service	239

2. Despre aceste instrucțiuni de utilizare

2.1 Generalități

Aceste instrucțiuni de utilizare reprezintă **instrucțiuni de utilizare originale** ale producătorului în sensul directivei UE 2006/42/EC.

Firma STIHL lucrează permanent la dezvoltarea gamei sale de produse; de aceea ne rezervăm dreptul de a efectua modificări ale echipamentului livrat în ceea ce privește forma, tehnologia sau dotările. Din acest motiv, nu se pot solicita daune sau alte pretenții pe baza datelor și figurilor din această broșură.

În aceste instrucțiuni de utilizare pot fi descrise modele care nu sunt disponibile în fiecare țară.

Aceste instrucțiuni de utilizare sunt protejate conform dreptului de autor. Toate drepturile rămân rezervate, în special dreptul de multiplicare, traducere și prelucrare cu sisteme electronice.

2.2 Indicații privind citirea instrucțiunilor de utilizare

Imaginile și textele descriu anumite operații.

Toate simbolurile aplicate pe aparat sunt explicate în aceste instrucțiuni de utilizare.

Direcția în care se privește:

Direcția privirii în timpul utilizării - „**stânga**” și „**dreapta**” în instrucțiunile de utilizare: utilizatorul se află în spatele aparatului și privește înainte, în direcția de deplasare.

Trimiteri la capitole:

Cu ajutorul unei săgeți se face trimitere la capitole și subcapitole pentru mai multe detalii. Exemplul următor face trimitere la un capitol: (⇒ 4.)

Marcarea pasajelor de text:

Instrucțiunile descrise pot fi marcate în următoarele moduri.

Operații care necesită intervenția utilizatorului:

- Se deșurubează șurubul (1) cu o șurubelniță, se acționează maneta (2) ...

Enumerări de ordin general:

- Utilizarea produsului la manifestări sportive sau concursuri

Texte cu semnificație suplimentară:

Pentru a le evidenția suplimentar în instrucțiunile de utilizare, pasajele de text cu semnificație suplimentară sunt marcate cu unul dintre simbolurile descrise în continuare.



Pericol!

Pericol de accidentare sau rănire gravă a persoanelor. Trebuie adoptat sau trebuie evitat un anumit comportament.



Avertizare!

Pericol de rănire a persoanelor. Printr-un anumit comportament se previn răniri posibile sau probabile.



Atenție!

Răniri ușoare sau daune materiale pot fi prevenite printr-un anumit comportament.



Indicație

Informații pentru o mai bună folosire a aparatului și pentru prevenirea posibilelor greșeli de utilizare.

Texte cu trimitere la figuri:

Figurile care explică utilizarea aparatului le găsiți la începutul instrucțiunilor de utilizare.

Simbolul cameră foto servește la asocierea figurilor de pe paginile cu figuri cu pasajele de text corespunzătoare din instrucțiunile de utilizare.



3. Descrierea aparatului



- 1 Manetă de oprire motor
- 2 Maneta de acționare deplasare (RM 443 T, RM 448 PC, RM 448 PT, RM 448 T, RM 448 TX, RM 448 TC, RM 448 VC)
- 3 Maneta sistemului de acționare Vario (RM 448 VC)
- 4 Partea superioară a ghidonului
- 5 Cablu de pornire
- 6 Sistemul de strângere rapidă (RM 443, RM 443 T, RM 448 PT, RM 448 T, RM 448 TX)
- 7 Partea inferioară a ghidonului (RM 443, RM 443 T, RM 448 PT, RM 448 T, RM 448 TX)
- 8 Motor cu ardere internă
- 9 Amortizor de zgomot cu grilă protectoare
- 10 Fișă de bujie
- 11 Mâner de prindere față
- 12 Roata față
- 13 Roata spate
- 14 Coș de colectare iarbă
- 15 Mâner de prindere spate
- 16 Maneta de reglare a înălțimii de tăiere
- 17 Etichetă cu caracteristici, cu numărul mașinii
- 18 Consola ghidon (RM 448 PC, RM 448 TC, RM 448 VC)
- 19 Manetă de blocare ghidon (RM 448 PC, RM 448 TC, RM 448 VC)

4. Pentru siguranța dvs.

4.1 Generalități



În timpul lucrului cu aparatul se vor respecta neapărat următoarele instrucțiuni de prevenire a accidentelor.



Înainte a primei puneri în funcțiune, instrucțiunile de utilizare trebuie citite cu atenție și integral. Păstrați cu grijă

instrucțiunile de utilizare pentru a putea fi folosite ulterior.

Respectați indicațiile de utilizare și întreținere din instrucțiunile separate de utilizare pentru motorul cu ardere internă.

Aceste măsuri de precauție sunt indispensabile pentru siguranța dvs., dar enumerarea lor nu este limitativă. Utilizați aparatul întotdeauna cu grijă și spirit de răspundere și aveți în vedere că utilizatorul aparatului este responsabil în cazul accidentării unor persoane sau al deteriorării bunurilor acestora.

Familiarizați-vă cu elementele de comandă și cu utilizarea aparatului.

Folosirea aparatului este permisă numai persoanelor care au citit instrucțiunile de utilizare și sunt familiarizate cu manevrarea acestuia. Înainte de prima punere în funcțiune, utilizatorul trebuie să se preocupe să-și însușească instrucțiunile practice și de specialitate. Utilizatorul va fi instruit de către vânzător sau de către un alt specialist asupra modului în care se lucrează în siguranță cu acest aparat.

Cu ocazia acestei instruirii, utilizatorul trebuie atenționat asupra faptului că, pentru utilizarea aparatului, este nevoie de atenție și concentrare deosebite.

Riscurile reziduale nu pot fi evitate, chiar și în cazul utilizării acestui aparat în mod corespunzător.



Pericol de moarte prin asfixiere!

Pericol de asfixiere pentru copii dacă se joacă cu materialul de ambalare. Materialul de ambalare nu se va ține în niciun caz la îndemâna copiilor.

Aparatul, împreună cu toate accesoriile atașate, poate fi transmis, respectiv împrumutat, numai unor persoane care au fost instruite sau sunt familiarizate în principiu cu acest model și cu utilizarea lui. Instrucțiunile de utilizare constituie parte integrantă a aparatului și trebuie să-l însoțească.

Folosiți aparatul numai dacă sunteți odihnit și vă aflați într-o stare fizică și psihică bună. În cazul în care sănătatea vă este afectată, întrebați medicul dvs. dacă lucrul cu aparatul este oportun. După consumul de alcool, de droguri sau de medicamente care diminuează capacitatea de reacție, nu este permis lucrul cu acest aparat.

Nu este permisă utilizarea aparatului de către copii, persoane cu capacități corporale, senzoriale sau spirituale limitate sau cu experiență și cunoștințe insuficiente sau de către persoane care nu cunosc instrucțiunile.

Nu permiteți niciodată copiilor sau tinerilor sub 16 ani să folosească aparatul. Reglementările locale pot stabili vârsta minimă a utilizatorului.

Aparatul este conceput pentru utilizare privată.

Atenție – pericol de accidentare!

Mașina de tuns iarba este destinată numai pentru tunderea ierbii. Nu este permisă o altă utilizare, aceasta putând fi periculoasă sau de natură a produce deteriorări ale aparatului.

Datorită pericolului de accidentare a utilizatorului sau a altor persoane, se interzice utilizarea mașinii de tuns iarba pentru următoarele lucrări (enumerare incompletă):

- pentru tunderea tufelor, a gardurilor vii și a arbuștilor,
- la tăierea plantelor agățătoare,
- pentru îngrijirea gazonului de pe acoperișuri și din jardinierele balcoanelor,
- la tocarea și mărunțirea crengilor de la arbori și garduri vii,
- la curățarea drumurilor de acces (aspirare, suflare),
- la nivelarea ridicăturilor de pământ, cum ar fi, de exemplu, mușuroaiele de cârțiță,
- pentru transportul materialului cosit în afara coșului de colectare a ierbii prevăzut în acest scop.

Din motive de siguranță sunt interzise orice modificări ale aparatului, în afară de montarea competentă a accesoriilor atestate de STIHL; în caz contrar se pierde garanția. Informații despre accesoriile atestate obțineți de la distribuitorul autorizat STIHL.

Sunt interzise orice modificări aduse aparatului în scopul modificării puterii sau turației motorului cu ardere internă, respectiv ale motorului electric.

Nu este permisă transportarea cu aparatul a obiectelor, animalelor sau persoanelor, în special a copiilor.

La utilizarea în spații publice, parcuri, terenuri de sport, pe drumuri și în întreprinderi agricole și forestiere, sunt necesare măsuri sporite de precauție.



Atenție! Punerea în pericol a sănătății din cauza vibrațiilor!

Expunerea excesivă la vibrații poate duce la afectarea

sistemului nervos și circulator, în special la persoanele cu probleme circulatorii. Consultați medicul în cazul apariției unor simptome care ar putea fi declanșate de expunerea la vibrații. Astfel de simptome, care apar mai ales la nivelul degetelor, mâinilor și articulațiilor mâinilor, pot fi, de exemplu (fără a enumera să fie limitativă):

- amorțeală,
- dureri,
- slăbiciune musculară,
- decolorarea pielii,
- furnicături neplăcute.

În timpul funcționării, ghidonul trebuie ținut ferm cu ambele mâini de punctele prevăzute, însă în poziție relaxată.

Planificați duratele lucrărilor astfel încât să evitați solicitările ridicate pe parcursul unor intervale mari de timp.

4.2 Alimentarea – manipularea benzinei



Pericol de moarte!

Benzina este toxică și extrem de inflamabilă.

Păstrați benzina numai în recipiente (canistre) prevăzute și atestate în acest scop. Capacele recipientelor se vor înșuruba și se vor strânge bine conform instrucțiunilor. Capacele defecte se vor înlocui din motive de siguranță.

Nu utilizați niciodată sticle pentru băuturi sau recipiente similare pentru aruncarea sau depozitarea materialelor consumabile, cum ar fi, de exemplu, carburantul. Diverse persoane, în special copiii, ar putea să bea din asemenea recipiente.



Țineți benzina la distanță de scântei, flăcări deschise, flăcări permanente, surse de căldură și față de alte surse ce pot produce aprindere. Fumatul interzis!

Alimentați cu carburant numai în aer liber și nu fumați pe durata operației de alimentare cu carburant.

Înainte de alimentare, motorul cu ardere internă trebuie oprit și lăsat să se răcească.

Umplerea cu benzină se va face înainte de pornirea motorului cu ardere internă. Este interzisă deschiderea capacului rezervorului sau completarea cu benzină în timp ce motorul cu ardere internă este în funcțiune sau mașina este caldă.

Nu se umple în exces rezervorul de carburant!

Pentru a lăsa loc de dilatare pentru carburant, rezervorul nu se umple niciodată peste muchia inferioară a ștuțului de umplere.

În afară de aceasta, trebuie avute în vedere instrucțiunile de utilizare ale motorului cu ardere internă.

În cazul scurgerii benzinei în afară, motorul cu ardere internă nu se va porni decât după ce a fost curățată suprafața pe



care s-a scurs benzina. Se va evita orice încercare de pornire până la îndepărtarea vaporilor de benzină (se va șterge până la uscare).

Ștergeți întotdeauna carburantul scurs în afară.

Dacă a ajuns benzină pe haine, acestea trebuie schimbate.

Nu păstrați niciodată în interiorul unei clădiri aparatul cu benzină în rezervor. Vaporii de benzină care se formează pot veni în contact cu foc deschis sau cu scânteii și se pot aprinde.

Dacă rezervorul trebuie golit, acest lucru trebuie realizat în aer liber.

4.3 Îmbrăcămintea și echipamentul de lucru



Purtați întotdeauna în timpul lucrului încălțăminte rezistentă, cu talpă aderentă. Nu lucrați descălțat sau încălțat, de exemplu, cu sandale.



În mod suplimentar, la lucrările de întreținere și de curățare, precum și la transportul aparatului, se vor purta întotdeauna mănuși rezistente iar părul lung va fi legat și asigurat (cu basma, șapcă etc.).



La ascuțirea cuțitului trebuie purtați ochelari de protecție adecvați.

Aparatul poate fi pus în funcțiune numai dacă utilizatorul poartă pantaloni lungi și îmbrăcăminte strânsă pe corp.

Nu se va purta niciodată îmbrăcăminte largă, care se poate prinde în piesele mobile (manete de comandă), și nici bijuterii, cravate sau fulare.



În timpul lucrului se produce zgomot. Zgomotul poate dăuna auzului.

Purtați antifoane.

4.4 Transportul aparatului

Lucrați numai cu mănuși pentru a evita rănirea la atingerea pieselor ascuțite sau fierbinți ale aparatului.

Nu transportați aparatul cu motorul cu ardere internă în funcțiune. Înainte de transport, opriți motorul cu ardere internă, așteptați să se oprească și cuțitele și scoateți fișa de pe bujie.

Aparatul se va transporta numai cu motorul cu ardere internă răcit și fără carburant.

Folosiți dispozitive adecvate de încărcare (rampe de încărcare, dispozitive de ridicare).

Pe suprafața de încărcare, aparatul și componentele sale transportate împreună cu acesta (de exemplu coșul de colectare iarbă) se vor asigura cu elemente de fixare dimensionate corespunzător (chingi, cabluri etc.).

În cursul operațiilor de ridicare și transport se va evita contactul cu cuțitul.

Respectați în special indicațiile din capitolul „Transportul”. Acolo este explicat cum trebuie ridicat, respectiv ancorat aparatul. (⇒ 13.)

La transportul aparatului, aveți în vedere reglementările legale din zonă, în special cele referitoare la asigurarea încărcăturii și la transportul obiectelor pe suprafețe de încărcare.

4.5 Înainte de începerea lucrului

Asigurați-vă că aparatul va fi folosit numai de către persoane care cunosc instrucțiunile de utilizare.

Înainte de punerea în funcțiune a aparatului, se verifică etanșeitatea sistemului de alimentare cu carburant, în special componentele vizibile precum rezervorul, capacul rezervorului, legăturile prin furtunuri. În cazul în care există neetanșeități sau defecțiuni, nu se pornește motorul – **pericol de incendiu!** Pentru remedierea deficiențelor, înainte de punerea în funcțiune a aparatului, se va apela la distribuitorul de la care acesta a fost achiziționat.

Respectați reglementările locale referitoare la orele de utilizare a aparatelor de grădină acționate cu motor cu ardere internă, respectiv cu motor electric.

Verificați întreaga zonă pe care se va folosi aparatul și îndepărtați toate pietrele, bețele, sârmele, oasele și alte corpuri străine ce ar putea fi aruncate de către aparat. Obstacolele (cum ar fi buturugi, rădăcini) pot trece ușor neobservate dacă iarba este înaltă.

Din acest motiv, înainte de a lucra cu aparatul, marcați toate obiectele străine (obstacolele) ascunse în suprafața gazonului și care nu pot fi îndepărtate.

Înainte de utilizarea aparatului, se vor înlocui toate piesele defecte precum și cele uzate sau deteriorate. Etichetele referitoare la pericole și la avertizări de pe

aparate care sunt deteriorate sau care au devenit ilizibile vor fi înlocuite. Distribuitorul dvs. STIHL vă poate pune la dispoziție etichete și toate celelalte piese de schimb.

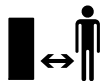
Înainte de utilizarea aparatului se va controla fixarea stabilă și sigură a fișei pe bujie.

Utilizarea aparatului este permisă numai în stare sigură de funcționare. Înainte de fiecare punere în funcțiune, trebuie să se verifice

- dacă aparatul este montat corespunzător.
- dacă scula de tăiere și întreaga unitate de tăiere (cuțitul, elementele de fixare, carcasa mecanismului de cosire) sunt în stare corespunzătoare. În special trebuie avute în vedere fixarea stabilă și eventualele deteriorări (ciobituri sau fisuri), precum și o eventuală uzură. (⇒ 12.4)
- dacă bușonul rezervorului este înșurubat corect.
- dacă rezervorul și componentele prin care trece carburantul, precum și bușonul rezervorului, sunt în stare corespunzătoare.
- dacă dispozitivele de protecție (de ex., maneta de oprire a motorului, clapeta de evacuare, carcasa, ghidonul, grătarul de protecție) se află în stare corespunzătoare și funcționează corect.
- dacă este intact și complet montat coșul de colectare iarbă; un coș de colectare iarbă deteriorat nu trebuie utilizat.
- dacă șurubul de închidere pentru ulei este înșurubat corect.

Dacă este cazul, se efectuează toate lucrările necesare, respectiv se apelează la un distribuitor autorizat. STIHL recomandă distribuitorul autorizat STIHL.

4.6 În timpul lucrului



Nu lucrați niciodată dacă în zona periculoasă se află animale sau persoane, în special copii.

Dispozitivele de cuplare și de siguranță montate pe aparat nu trebuie îndepărtate sau dezactivate. În special, nu se va fixa niciodată maneta de oprire a motorului de ghidon (de exemplu prin legare).



Atenție – pericol de accidentare!

Nu vă plasați niciodată mâinile sau picioarele lângă sau sub părțile rotative. Nu atingeți niciodată cuțitul în mișcare. Nu stați în fața deschiderii de evacuare.

Se va respecta permanent distanța de siguranță asigurată de ghidon. Ghidonul trebuie să fie întotdeauna montat corect și nu trebuie modificat. Nu puneți niciodată în funcțiune aparatul cu ghidonul rabătut.

Nu fixați niciodată obiecte pe ghidon (de exemplu îmbrăcăminte de lucru).

Lucrați numai la lumina zilei sau la o lumină artificială suficient de intensă.

Nu utilizați aparatul pe ploaie, pe furtună și, în special, atunci când există pericol de trăsnet.

Când solul este umed, există pericol mărit de accidentare datorită stabilității reduse. Trebuie lucrat cu deosebită atenție pentru a preveni alunecarea. Dacă este posibil, evitați utilizarea aparatului când solul este umed.

Gaze de eșapament:



Pericol de moarte prin intoxicare!

În caz de greață, dureri de cap, tulburări de vedere (de ex. câmp vizual redus), tulburări de auz, amețeli, capacitate de concentrare scăzută, încetați imediat lucrul. Aceste simptome pot, între altele, să fie provocate de concentrația ridicată de gaze de eșapament.



Aparatul produce gaze de eșapament otrăvitoare, imediat după pornirea motorului cu ardere internă. Aceste gaze

conțin monoxid de carbon toxic, un gaz incolor și inodor, precum și alte materiale nocive. Motorul cu ardere internă nu trebuie niciodată pus în funcțiune în spații închise sau slab ventilate.

Pornirea:

Porniți aparatul cu atenție – respectați indicațiile din capitolul „Punerea în funcțiune a aparatului” (⇒ 11.). Pornirea conform acestor indicații reduce pericolul de accidentare.

Pericol de accidentare!

În cazul în care cablul de pornire revine rapid, mâna și brațul sunt trase spre motorul cu ardere internă mai repede decât se poate elibera cablul de pornire. Din cauza acestei întoarceri se pot produce fracturi de oase, striviri și luxații.

Aveți grijă întotdeauna la pornire să păstrați o distanță suficientă între picioare și scula de tăiere.

Aparatul nu trebuie înclinat la pornire.

La pornire, maneta de acționare deplasare nu trebuie acționată.

Nu porniți motorul cu ardere internă atunci când canalul de evacuare nu este acoperit cu clapeta de evacuare, respectiv cu coșul de colectare a ierbii.

Lucrul pe pante:

Pantele se vor prelucra întotdeauna pe direcție transversală, niciodată pe direcție longitudinală.

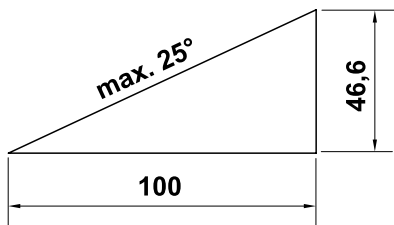
Dacă, în timpul tunderii pe direcție longitudinală, utilizatorul pierde controlul, aparatul în funcțiune se poate rostogoli peste el.

Pe pante, fiți deosebit de prudenți la modificarea direcției de deplasare.

Căutați întotdeauna să aveți o poziție bună pe pante și evitați lucrul pe pante exagerat de înclinate.

Din motive de siguranță, aparatul nu trebuie folosit pe pante cu înclinația mai mare de 25° (46,6 %). **Pericol de accidentare!**

O înclinație a pantei de 25° corespunde unui urcuș de 46,6 cm la 100 cm lungime orizontală.



Pentru a asigura o ungere suficientă a motorului cu ardere internă, la utilizarea aparatului pe pante se vor respecta suplimentar indicațiile din instrucțiunile de utilizare ale motorului cu ardere internă, livrate împreună cu aparatul.

Utilizarea în regim de lucru:



Pericol de accidentare!

Nu duceți niciodată mâinile sau picioarele peste, sub sau către piesele care se rotesc.



Nu încercați să verificați cuțitul în timp ce mașina de tuns iarba este în funcțiune. Nu deschideți niciodată clapeta de evacuare și/sau nu scoateți niciodată coșul de colectare a ierbii, atâta timp cât cuțitul se rotește. Cuțitul aflat în mișcare de rotație poate cauza răni.

Conduceți aparatul numai la pas – nu alergați niciodată în timp ce lucrați cu aparatul. Prin conducerea aparatului la viteză mai mare, crește pericolul de accidentare prin împiedicare, alunecare etc.

Fiți deosebit de prudenți când întoarceți aparatul sau când îl trageți spre dumneavoastră.

Pericol de împiedicare!

Utilizați aparatul cu deosebită atenție când lucrați în apropierea pantelor, a muchiiilor de teren, șanțurilor și a digurilor. Păstrați o distanță suficientă față de aceste locuri periculoase.

Obiectele ascunse în brazda de iarbă (instalații de irigație gazon, stâlpi, ventile de apă, fundații, cabluri electrice etc.) trebuie ocolite. Nu treceți niciodată peste astfel de obiecte.



Aveți în vedere că scula de tăiere continuă să se rotească mai multe secunde până la oprirea definitivă.

Opriti motorul cu ardere internă, lăsați unealta de lucru să se oprească și scoateți fișa de pe bujie

- când plecați de lângă aparat, respectiv când acesta rămâne nesupravegheat,
- înainte de a realimenta cu carburant. Alimentați numai atunci când motorul cu ardere internă este răcit.

Pericol de incendiu!

- înainte de înlăturarea blocajelor și defundarea canalului de evacuare,
- înainte de a ridica și a muta aparatul,
- înainte de a transporta aparatul;
- înainte de a executa lucrări la cuțit,
- înainte de a verifica sau curăța aparatul sau înainte de a efectua alte lucrări pe acesta (de ex. rabatarea ghidonului),
- dacă în aparat a intrat un corp străin sau dacă mașina de tuns iarba începe să vibreze anormal de puternic. În aceste cazuri, verificați aparatul, în special unitatea de tăiere (cuțit, axul cuțitului, fixarea cuțitului), cu privire la eventuale deteriorări și efectuați reparațiile necesare înainte de a reporni aparatul și de a lucra cu el.



Pericol de accidentare!

Vibrațiile puternice indică, de regulă, o defecțiune.

Mașina de tuns iarba nu trebuie pusă în funcțiune mai ales dacă arborele cotit sau un cuțit sunt deteriorate ori deformate.

Pentru reparațiile necesare apelați la un specialist – STIHL recomandă distribuitorii specializați STIHL – dacă nu dispuneți de cunoștințele necesare.

Opriti motorul cu ardere internă

- când deplasați aparatul de la sau spre o suprafață de gazon de prelucrat,

- înainte de a deplasa aparatul pe o suprafață neacoperită cu iarbă,
- înainte de a deschide clapeta de evacuare sau de a demonta coșul de colectare a ierbii,
- dacă aparatul trebuie basculat în vederea transportului,
- înainte de a regla înălțimea de tăiere.

4.7 Întreținerea și repararea

Înainte începerii lucrărilor de curățare, reglaj, reparații și întreținere:

- Se oprește aparatul pe un teren rezistent și plan,
- se oprește motorul cu ardere internă și se lasă să se răcească,
- se scoate fișa bujiei.



Atenție – pericol de accidentare!

Fișa bujiei se ține la distanță de bujie; o scânteie accidentală poate provoca incendii sau electrocutări.

Un contact accidental al bujiei cu fișa bujiei poate produce o pornire involuntară a motorului cu ardere internă.



Pericol de rănire datorită cuțitului!

Prin tragerea cablului de pornire, scula de lucru este antrenată într-o mișcare de rotație. Aveți în vedere întotdeauna o distanță suficientă față de aparat, în special a mâinilor și picioarelor, când trageți cablul de pornire.

Lăsați aparatul să se răcească, în special înainte de a începe lucrări la motorul cu ardere internă, la cotul de eșapament și la

toba de eșapament. Pot fi atinse temperaturi de 80° C și chiar și mai mari.

Pericol de arsuri!

Contactul direct cu uleiul de motor poate fi periculos; uleiul de motor nu trebuie lăsat să se verse.

STIHL recomandă ca, pentru umplerea cu ulei de motor sau pentru schimbul de ulei, să apelați la un distribuitor autorizat STIHL.

Curățarea:

După utilizare, întregul aparat trebuie curățat cu atenție. (⇒ 12.3)

Înainte de a se așeza aparatul în poziția de curățare, se golește rezervorul de carburant (de exemplu prin funcționarea motorului în gol până la terminarea carburantului).

Depunerile de resturi de iarbă se vor desprinde cu un băț de lemn. Se curăță partea inferioară a mașinii cu o perie și cu apă.

Nu utilizați în nici un caz echipamente de curățat la înaltă presiune și nu curățați aparatul sub apă curentă (de exemplu, cu un furtun de stropit grădina).

Nu utilizați detergenți corozivi. Acești detergenți pot deteriora piesele din material plastic și din metal, fapt care poate influența funcționarea sigură a aparatului dvs. STIHL.

Pentru a evita pericolul de incendiu, mențineți zona deschiderilor de răcire, a aripioarelor de răcire și zona eșapamentului libere, de exemplu: fără iarbă, paie, mușchi, frunze sau de vaselină ieșită în afară.

Lucrări de întreținere:

Trebuie efectuate numai acele lucrări de întreținere care sunt descrise în aceste instrucțiuni de utilizare; pentru toate

celelalte lucrări trebuie să se apeleze la distribuitorul de specialitate.

În cazul în care vă lipsesc cunoștințele sau mijloacele auxiliare necesare, adresați-vă **întotdeauna** unui distribuitor de specialitate.

STIHL recomandă efectuarea de lucrări de întreținere și reparație numai de către distribuitorii autorizați STIHL.

Distribuitorii autorizați STIHL sunt instruiți în permanență și dispun de informațiile tehnice necesare.

Utilizați numai scule, accesorii sau aparate atașabile atestate de STIHL pentru acest aparat sau piese echivalente din punct de vedere tehnic deoarece, în caz contrar, există pericol de accidente cu periclitarea persoanelor sau cu deteriorări ale aparatului. Dacă aveți probleme sau întrebări, adresați-vă unui distribuitor autorizat.

Sculele, accesoriile și piesele de schimb originale STIHL sunt adaptate optim la aparat și la cerințele utilizatorului. Piesele de schimb originale STIHL pot fi recunoscute după numărul de piesă de schimb STIHL, după marcajul STIHL și, de asemenea, după marcajul caracteristic pieselor de schimb STIHL. Pe componentele mici, poate fi găsit numai marcajul.

Din motive de siguranță, piesele prin care trece carburantul (conducta de carburant, robinetul de carburant, rezervorul de carburant, capacul rezervorului, racordurile etc.) trebuie verificate regulat în ceea ce privește eventuale deteriorări sau puncte neetanșe și, dacă este cazul, trebuie înlocuite de către un specialist (STIHL recomandă distribuitorii autorizați STIHL).

Mențineți întotdeauna curate și lizibile etichetele autocolante de avertizare și indicatoare. Etichetele autocolante deteriorate sau pierdute trebuie înlocuite cu plăcuțe noi, originale, de la distribuitorul dvs. STIHL autorizat. Dacă o componentă este înlocuită cu una nouă, asigurați-vă că noua componentă este prevăzută cu aceeași etichetă autocolantă.

La unitatea de tăiere se va lucra numai cu mânuși de lucru groase și cu o deosebită atenție.

Mențineți toate piulițele, bolțurile și șuruburile, în special șurubul cuțitului, bine strânse, pentru ca aparatul să se afle într-o stare de funcționare sigură.

Verificați cu regularitate întregul aparat și coșul de colectare a ierbii în ceea ce privește eventuale uzuri sau deteriorări, mai ales înaintea depozitării (de exemplu pentru iarnă). Din motive de siguranță, înlocuiți componentele uzate sau deteriorate, astfel încât aparatul să se afle întotdeauna într-o stare sigură de funcționare.

Nu modificați niciodată reglajul de bază al motorului cu ardere internă și nu suprațerați motorul.

Dacă, pentru lucrări de întreținere, se demontează componente sau dispozitive de protecție, acestea trebuie neapărat montate la loc în mod corect după finalizarea respectivelor lucrări.

4.8 Depozitarea în cazul pauzelor de funcționare mai lungi

Înainte de depozitării într-o încăpere închisă, lăsați motorul cu ardere internă să se răcească.

Aparatul cu rezervorul golit și rezerva de carburant se vor păstra într-un spațiu bine aerisit și cu posibilitate de încuiere.

Asigurați-vă că aparatul este protejat împotriva utilizării neautorizate (de exemplu de către copii).

Nu păstrați niciodată în interiorul unei clădiri aparatul cu benzină în rezervor. Vaporii de benzină care se formează pot veni în contact cu foc deschis sau cu scânteii și se pot aprinde.

Dacă trebuie golit rezervorul, de exemplu pentru conservarea înaintea pauzei de iarnă, golirea rezervorului de carburant se va face numai în aer liber (de exemplu prin funcționarea motorului în gol).

Înainte de depozitării (de ex. pentru pauza de iarnă), aparatul se va curăța temeinic.

Aparatul se va depozita numai cu fișa scoasă de pe bujie.

Depozitați aparatul în stare sigură de funcționare.

Lăsați aparatul să se răcească complet înainte de a-l acoperi.

4.9 Evacuarea la deșeuri

Deșeurile, cum ar fi uleiul uzat sau carburantul, lubrifianții folosiți, filtrele, bateriile și piesele de uzură similare, pot avea efecte dăunătoare asupra oamenilor, animalelor și mediului înconjurător și, de aceea, trebuie evacuate în mod corespunzător.

Adresați-vă unui centru de reciclare sau distribuitorului dvs. pentru a afla cum trebuie evacuate la deșeuri în mod corespunzător materialele respective. STIHL recomandă distribuitorii autorizați STIHL.

Luați măsurile necesare pentru ca un aparat scos definitiv din uz să fie evacuat la deșeuri conform reglementărilor în vigoare. Faceți aparatul inutilizabil înainte de a-l preda la centrul de deșeuri. Pentru a preveni accidentele, îndepărtați în primul rând cablul de aprindere, goliți rezervorul și goliți uleiul din motor.

Pericol de rănire din cauza cuțitului!

Nu lăsați niciodată nesupravegheată mașina de tuns iarba, chiar dacă aceasta este scoasă din uz. Asigurați-vă că aparatul și, în special, cuțitul nu sunt depozitate în locuri accesibile copiilor.

5. Descrierea simbolurilor



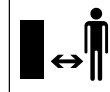
Atenție!

Înainte de punerea în funcțiune, citiți instrucțiunile de utilizare.



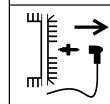
Pericol de accidentare!

Țineți alte persoane la distanță de zona de pericol.



Pericol de accidentare!

Înainte de a lucra la scula de tăiere și înaintea lucrărilor de întreținere și curățare, scoateți fișa bujiei.





Pericol de accidentare!

Țineți la distanță mâinile și picioarele de cuțite!



Dispozitivul de tăiere se mai rotește câteva secunde după comanda de oprire (frâna motorului cu ardere internă/frâna cuțitului).



RM 443, RM 443 T, RM 448 PT, RM 448 T, RM 448 TX:

Pornirea motorului cu ardere internă



RM 443, RM 443 T, RM 448 PT, RM 448 T, RM 448 TX:

Oprirea motorului cu ardere internă



RM 443 T, RM 448 PT, RM 448 T, RM 448 TX:

Cuplare sistem acționare deplasare



RM 448 PC, RM 448 TC, RM 448 VC:

Pornirea motorului cu ardere internă



RM 448 PC, RM 448 TC, RM 448 VC:

Oprirea motorului cu ardere internă



RM 448 PC, RM 448 TC, RM 448 VC:

Cuplare sistem acționare deplasare



RM 448 VC:

Reglarea vitezei de deplasare. (⇒ 11.3)



6. Conținutul pachetului



Poz.	Denumire	Buc.
A	Aparat de bază	1
B	Parte superioară a coșului de colectare iarbă	1
C	Parte inferioară a coșului de colectare iarbă	1
D	Bolț	2
-	Instrucțiuni de utilizare	1
-	Instrucțiuni de utilizare Motor cu ardere internă	1

RM 443, RM 443 T, RM 448 PT, RM 448 T, RM 448 TX:

Poz.	Denumire	Buc.
E	Sistem de strângere rapidă	2
F	Șurub	2
G	Ghidaj cablu	2
H	Manșoane de protecție	2

RM 448 PC, RM 448 TC, RM 448 VC:

Poz.	Denumire	Buc.
I	Manșon	1
J	Șurub	1
K	Șaibă	2
L	Piuliță	1

7. Pregătirea aparatului pentru lucru

7.1 Generalități



Pericol de accidentare

Respectați instrucțiunile de siguranță din capitolul „Pentru siguranța dumneavoastră” (⇒ 4.).

- Pentru executarea tuturor operațiilor descrise, așezați aparatul pe o suprafață orizontală plană și rezistentă.

7.2 Montarea ghidonului cu un braț (RM 448 PC, RM 448 TC, RM 448 VC)



- **1** Se introduce bucșa (I) în orificiul ghidonului (1).
- **2** Se introduc cele două șaibe (K) cu bombarea spre interior pe bucșa ghidonului (1).
- **3** Se țin fixe bucșa (I) și șaibe (K) și se introduc împreună cu ghidonul (1) suportul de pe consola ghidonului (2).
- **4** Se introduce șurubul (J) din exterior spre interior prin orificiile de pe ghidon (1) și de la consola ghidonului (2).
- **5** Se înșurubează piulița (L).

- **6** Se strânge șurubul (J). Cuplu de strângere: **18 - 22 Nm**

Montarea cablurilor:

- RM 448 PC, RM 448 TC:
Se montează cablul de oprire a motorului (3) și cablul sistemului de acționare pentru deplasare (4) în ghidajele de cablu (6) de pe consola ghidonului și de pe ghidon, ca în figură. RM 448 VC:
Se montează cablul de oprire motor (3), cablul sistemului de acționare pentru deplasare (4) și cablul sistemului de acționare Vario (5) în ghidajele de cablu (6) de pe consola ghidonului și de pe ghidon, ca în figură.

7.3 Montarea ghidonului dublu (RM 443, RM 443 T, RM 448 PT, RM 448 T, RM 448 TX)



- Se împing manșoanele de protecție (H) pe cele două părți inferioare ale ghidonului (1).
- Se introduce șurubul (F) prin orificiul ghidajului de cablu (G).
- Se menține partea superioară (2) a ghidonului pe părțile inferioare (1).
- Partea stângă:
Se prinde ghidajul de cablu (G) pe cablul de oprire motor (3).
- Partea dreaptă (RM 443 T, RM 448 PT, RM 448 T, RM 448 TX):
Se prinde ghidajul de cablu (G) pe cablul de acționare pentru deplasare (4).
- Se introduce șurubul (F) pe ambele părți prin orificiile dinspre interior spre exterior.

- Se înșurubează sistemele de strângere rapidă (E) pe șuruburile (F) (trebuie să rămână afară aproximativ un gang al filetului) și se rabat în sus.
- Se verifică montajul corect:
Sistemele de strângere rapidă (E) trebuie strânse în așa fel încât ele să stea culcate pe ghidon, iar partea superioară a ghidonului să fie asamblată strâns cu partea inferioară a acestuia.
Dacă ghidonul nu este montat strâns sau dacă sistemele de strângere rapidă nu stau în poziție corectă, se deschid manetele respective și se rotesc până când strângerea este corectă.

7.4 Asamblarea coșului de colectare iarbă



- Se așează partea superioară (B) a coșului de colectare iarbă pe partea inferioară (C) a acestuia. Atenție la poziția corectă a ghidajelor.
- Se împing bolțurile (D) dinspre interior prin orificiile prevăzute în acest scop.
- Printr-o apăsare ușoară, se înclichetează partea superioară (B) a coșului de colectare iarbă în partea inferioară a acestuia.
- Se montează coșul de colectare a ierbii (⇒ 8.3).

7.5 Prinderea și desprinderea cablului de pornire



Prinderea

- Se scoate fișa bujiei de pe motorul cu ardere internă.

- Se apasă maneta (1) de oprire a motorului spre ghidon și se menține apăsată.
- Se trage lent în afară cablul de pornire (2).
- Se eliberează maneta de oprire (1) a motorului și se prinde cablul de pornire (2) în ghidajul de cablu (3).
- Se conectează fișa de bujie.

Desprinderea

- Se scoate fișa bujiei de pe motorul cu ardere internă.
- Se desprinde cablul de pornire (2) din ghidajul de cablu (3).

7.6 Carburantul și uleiul de motor



Se va evita deteriorarea aparatului!

Înainte de prima pornire, se face umplerea cu ulei de motor. Pentru umplerea cu ulei de motor, respectiv alimentarea cu carburant, se va utiliza un accesoriu adecvat (de exemplu o pâlnie).

Ulei de motor:

Tipul de ulei de motor ce trebuie utilizat și cantitatea de ulei necesară pentru umplere sunt specificate în instrucțiunile de utilizare pentru motorul cu ardere internă.
Se va verifica cu regularitate nivelul uleiului (a se vedea instrucțiunile de utilizare pentru motorul cu ardere internă).
Se va evita creșterea sau scăderea nivelului de ulei peste/sub nivelul corect.
Înainte de punerea în funcțiune a motorului cu ardere internă, se va înșuruba strâns și corect bușonul rezervorului de ulei.



Carburant:

Recomandare:

carburant proaspăt de marcă,
benzină fără plumb.

Indicații pentru calitatea carburantului
(cifra octanică) se găsesc în instrucțiunile
de utilizare pentru motorul cu ardere
internă.



8. Elemente de comandă

8.1 Reglarea ghidonului cu un braț (RM 448 PC, RM 448 TC, RM 448 VC)



Pericol de prindere!

La acționarea manetei de blocare,
țineți în permanență cu o mână
partea superioară a ghidonului în
poziția sa cea mai de sus.

Nu plasați niciodată degetele între
ghidon și consolă (sub și peste
maneta de blocare).

Rabaterea ghidonului:

Poziția de transport (pentru curățarea
aparaturii, precum și pentru reducerea
volumului în timpul transportului și al
depozitării):

- Se eliberează cablul de pornire din
ghidajul de cablu. (⇒ 7.5)
- Se ține cu o mână partea superioară (2)
a ghidonului din punctul cel mai de sus
și se ridică ușor (se descarcă).
- Se apasă în jos și se menține apăsată
maneta de blocare (1).
- Se rabate în față ghidonul (2).

Poziția de lucru (pentru împingerea
aparaturii):

- Se rabate spre spate ghidonul (2),
având grijă să se înclicheteze complet.
- Se prinde cablul de pornire în ghidajul
de cablu. (⇒ 7.5)

Reglarea pe înălțime:

Înălțimea ghidonului simplu se poate regla
în 2 trepte:

- Se ține cu o mână partea superioară (2)
a ghidonului din punctul cel mai de sus
și se ridică ușor (se descarcă).
- Se apasă în jos și se menține apăsată
maneta de blocare (1).
- Se aduce ghidonul (2) în poziția dorită.
- Se eliberează maneta de blocare (1),
având grijă ca ghidonul să se
înclicheteze din nou complet.

8.2 Rabaterea ghidonului dublu (RM 443, RM 443 T, RM 448 PT, RM 448 T, RM 448 TX)



Pericol de prindere!

La slăbirea închizătoarelor rapide,
partea superioară a ghidonului se
poate rabate. De aceea trebuie să
țineți partea superioară (2) a
ghidonului în punctul cel mai de sus
cu una din mâini, în timp ce
deschideți închizătoarele rapide.

Poziția de transport (pentru curățarea
aparaturii, precum și pentru reducerea
volumului în timpul transportului și al
depozitării):

- Se eliberează cablul de pornire din
ghidajul de cablu. (⇒ 7.5)

- Se deschid – se rabat în jos –
închizătoarele rapide (1) și se rabate în
față partea superioară (2) a ghidonului.

Poziția de lucru (pentru împingerea
aparaturii):

- Se rabate în spate partea
superioară (2) a ghidonului și se
menține cu o mână în această poziție.
- Se închid închizătoarele rapide (1) (se
rabat în sus).
- Se prinde cablul de pornire în ghidajul
de cablu. (⇒ 7.5)

8.3 Coșul de colectare iarbă



Prinderea:

- Se deschide și se menține
deschisă clapeta de evacuare (1).
- Se agață coșul de colectare iarbă (2) cu
ciocurile de susținere în degajările (3)
de la partea din spate a aparaturii.
- Se închide clapeta de evacuare (1).

Scoaterea coșului:

- Se deschide și se menține deschisă
clapeta de evacuare (1).
- Coșul de colectare iarbă (2) se ridică și
se scoate spre spate.
- Se închide clapeta de evacuare (1).

8.4 Sistemul central de reglare a înălțimii de tăiere



Se pot regla 6 înălțimi diferite de
tăiere.

Treapta 1 = 25 mm

Treapta 6 = 75 mm

Reglarea înălțimii de tăiere:

- Se prinde mânerul (1), se trage maneta (2) în sus și se menține în această poziție.
- Se reglează înălțimea dorită de tăiere prin deplasarea aparatului în sus și în jos. Înălțimea de tăiere actuală poate fi citită la indicatorul de înălțime de tăiere (3) cu ajutorul marcajului (4).
- Se eliberează maneta de blocare (2) și se lasă să se înclicheteze.

8.5 Indicatorul nivelului de umplere



Coșul de colectare a ierbii este prevăzut cu un indicator pentru nivelul de umplere (1) plasat în partea superioară a coșului respectiv.

Curentul de aer, care apare ca rezultat al rotirii cuțitului și care asigură umplerea coșului, ridică indicatorul nivelului de umplere (2):

Coșul de colectare a ierbii este umplut cu materialul tăiat.

Pe măsură ce coșul de colectare a ierbii se umple cu iarbă, se reduce debitul de aer și indicatorul nivelului de umplere coboară (3):

- Se golește coșul de colectare a ierbii care s-a umplut (⇒ 11.4).

9. Dispozitive de siguranță

Aparatul este echipat cu mai multe sisteme de siguranță pentru funcționarea sigură și pentru protecția împotriva utilizării necorespunzătoare.



Pericol de accidentare!

Dacă este identificat un defect la dispozitivele de siguranță, aparatul nu trebuie pus în funcțiune. Adresați-vă unui distribuitor autorizat; STIHL recomandă distribuitorii autorizați STIHL.

9.1 Dispozitive de protecție

Mașina de tuns iarba este echipată cu dispozitive de protecție, care împiedică contactul accidental cu cuțitul și cu materialul tăiat evacuat în exterior. Acestea sunt carcasa, clapeta de evacuare, coșul de colectare iarbă și ghidonul montat corect.

9.2 Manetă de oprire motor

Mașina de tuns iarba este echipată cu un dispozitiv de oprire a motorului.

În timpul funcționării, prin eliberarea manetei de oprire a motorului, motorul cu ardere internă se oprește. Motorul cu ardere internă și cuțitul se opresc complet în 3 secunde.



Pericol de accidentare!

Dacă timpul de funcționare inerțială a cuțitului este mai mare, nu se va mai folosi aparatul și se va duce la distribuitorul autorizat.

Măsurarea timpului de funcționare inerțială

După pornirea motorului cu ardere internă, cuțitul se rotește și se aude un zgomot specific produs de aerul în mișcare. Timpul de funcționare inerțială corespunde duratei acestui zgomot specific după oprirea motorului cu ardere internă și poate fi măsurat cu un cronometru.

10. Indicații pentru lucru

Un gazon frumos și cu iarbă densă se obține

- când se tunde cu viteză redusă de deplasare.
- când gazonul este tuns frecvent și păstrat scurt.
- când, într-o climă caldă și uscată, nu se tunde prea scurt gazonul deoarece, în caz contrar, acesta va fi ars de soare și va deveni neaspectuos.
- când se lucrează cu un cuțit ascuțit; din acest motiv, cuțitul trebuie ascuțit în mod regulat (la un distribuitor specializat).
- când direcția de tundere este schimbată periodic.

10.1 Zona de lucru a operatorului



- Din motive de siguranță, la pornire și când motorul cu ardere internă funcționează, operatorul trebuie să se plaseze întotdeauna în zona de lucru din spatele ghidonului. Se va respecta permanent distanța de siguranță asigurată de ghidon.
- Mașina de tuns iarba poate fi folosită numai de o singură persoană; alte persoane trebuie să se aplece la distanță de zona de pericol. (⇒ 4.)

11. Punerea în funcțiune a aparatului

11.1 Pornirea motorului cu ardere internă



i Motorul cu ardere internă nu se pornește în iarbă înaltă. În cazul unei porniri dificile, se reglează o înălțime de tăiere mai mare. După procesul de pornire, datorită unei poziții fixe a clapetei de accelerație, motorul cu ardere internă funcționează întotdeauna cu turația optimă de lucru.

- Se apasă maneta (1) de oprire a motorului spre ghidon și se menține apăsată.
- Se trage încet cablul de pornire (2) până se simte rezistența compresiei. Apoi se trage puternic și rapid până la lungimea brațului. După aceasta, cablul de pornire (2) se conduce din nou înapoi, încet, pentru ca să se poată reînfașura.
- Se repetă operația până când motorul cu ardere internă pornește.

11.2 Oprirea motorului cu ardere internă



- Pentru oprirea motorului cu ardere internă, se eliberează maneta de oprire a motorului (1). Motorul cu ardere internă și cuțitul se opresc după o durată de mișcare inerțială.

11.3 Sistemul de acționare pentru deplasare (RM 443 T, RM 448 PC, RM 448 PT, RM 448 T, RM 448 TX, RM 448 TC, RM 448 VC)



Mașinile de tuns iarba RM 443 T, RM 448 PC, RM 448 PT, RM 448 T, RM 448 TX, RM 448 TC und RM 448 VC sunt echipate cu un sistem de acționare pentru deplasare.

RM 443 T, RM 448 PC, RM 448 PT, RM 448 T, RM 448 TX, RM 448 TC: O treaptă de viteză pentru deplasare înainte (cutie de viteze cu o treaptă)

RM 448 VC:

Viteză de deplasare înainte reglabilă continuu în timpul deplasării (cutie de viteze Vario)

Cuplarea sistemului de acționare deplasare:

- Se pornește motorul termic. (⇒ 11.1)
- Se trage maneta de acționare deplasare (1) spre ghidon și se menține.
Sistemul de acționare pentru deplasare se cuplează și mașina de tuns iarba se pune în mișcare înainte.

! Se va evita deteriorarea aparatului!



Maneta de acționare pentru deplasare se acționează întotdeauna complet (până la limită), pentru a evita producerea de deteriorări la reductor.

Reglarea vitezei de deplasare (RM 448 VC):



Se va evita deteriorarea aparatului!

Se acționează maneta sistemului de acționare Vario (2) numai cu motorul cu ardere internă în funcțiune.

- Mărirea vitezei de deplasare: Se împinge înainte maneta (2) a sistemului de acționare Vario în timpul deplasării. 
- Reducerea vitezei de deplasare: Se trage înapoi maneta (2) a sistemului de acționare Vario în timpul deplasării. 

Decuplarea sistemului de acționare deplasare:

- Se eliberează maneta de acționare deplasare (1). Sistemul de acționare deplasare se decuplează și mașina se oprește din deplasare. Motorul termic funcționează în continuare.

11.4 Golirea coșului de colectare iarbă



Pericol de accidentare!

Din motive de siguranță, motorul cu ardere internă trebuie oprit înainte de desprinderea coșului de colectare iarbă.

- Se desprinde coșul de colectare iarbă. (⇒ 8.3)

- Se deschide coșul de colectare iarbă eliberând clema de închidere (1). Se rabate în sus partea superioară (2) a coșului și se menține în această poziție. Se rabate spre spate coșul de colectare iarbă și se golește materialul tăiat.
- Se închide coșul de colectare iarbă.
- Se montează la loc coșul de colectare iarbă. (⇒ 8.3)

12. Întreținerea

12.1 Generalități



Pericol de accidentare!

Respectați instrucțiunile de siguranță din capitolul „Pentru siguranța dumneavoastră” (⇒ 4.).

Întreținerea anuală de către distribuitorul autorizat:

Mașina de tuns iarba trebuie verificată o dată pe an de către un distribuitor autorizat. STIHL recomandă distribuitorii autorizați STIHL.

12.2 Motorul cu ardere internă

Interval de întreținere:

A se vedea instrucțiunile de utilizare ale motorului cu ardere internă.

Indicații generale:

Respectați indicațiile de exploatare și întreținere, pe care le găsiți în instrucțiunile anexate pentru utilizarea motorului cu ardere internă.

Deosebit de importante pentru o durată de utilizare îndelungată sunt menținerea permanentă a unui nivel suficient de ulei și înlocuirea cu regularitate a filtrului de ulei și de aer.

Intervalele recomandate de schimbare a uleiului precum și informațiile referitoare la uleiul de motor și cantitatea de umplere cu ulei se găsesc și în instrucțiunile de utilizare ale motorului cu ardere internă.

Aripioarele de răcire trebuie menținute permanent în stare curată pentru a asigura o răcire suficientă a motorului cu ardere internă.

12.3 Curățarea aparatului

Interval de întreținere: După fiecare utilizare



Îngrijirea atentă protejează aparatul contra deteriorării și îi prelungește durata de utilizare.



Pericol de accidentare!

Se oprește motorul cu ardere internă, se scoate fișa bujiei și se lasă aparatul să se răcească. Înainte de a așeza aparatul în poziția de curățare, se golește rezervorul de carburant (prin funcționarea motorului în gol). Aparatul se află în poziție sigură de curățare numai când clapeta de evacuare este deschisă.

- Se selectează cea mai înaltă treaptă de tăiere. (⇒ 8.4)
- Se desprinde coșul de colectare iarbă. (⇒ 8.3)

Poziția de curățare RM 443, RM 443 T, RM 448 PT, RM 448 T, RM 448 TX:

- Se ține de partea superioară (1) a ghidonului și se deschid sistemele de strângere rapidă – se rabat în jos.
- Se plasează spre spate partea superioară (1) a ghidonului.
- Se deschide și se menține deschisă clapeta de evacuare (2).
- Se ridică din față aparatul și se plasează în poziția de curățare ca în figură.

Poziția de curățare RM 448 PC, RM 448 TC, RM 448 VC:

- Pentru rabaterea în sus, poziționați-vă în dreapta aparatului.
- Se aduce partea superioară a ghidonului în poziția cea mai de jos (până la limită; maneta de blocare nu înclichetează în această poziție). (⇒ 8.2)
- Se deschide și se menține deschisă cu mâna dreaptă clapeta de evacuare (2).
- Cu mâna stângă se prinde consola ca în figură și se menține clapeta de evacuare deschisă. Concomitent se acționează și se menține în această poziție maneta de blocare (3) folosind degetul mare.
- Se prinde aparatul cu mâna dreaptă de mânerul din față și se basculează încet spre spate, până ce ghidonul se sprijină pe sol ca în figură.
- Se eliberează clapeta de evacuare (2) și maneta de blocare (3) și se verifică poziția stabilă a aparatului.

Indicații pentru curățare:

- Murdăria se îndepărtează cu puțină apă, folosind o perie sau o lavetă. Se curăță în special și cuțitul. Niciodată nu se va îndrepta jetul de apă spre piesele motorului cu ardere internă, spre garnituri sau spre lagăre.
- Mai întâi se vor desprinde resturile de iarbă cu un băț din lemn.
- Dacă este necesar, se va utiliza un detergent special (de exemplu detergent special STIHL).

12.4 Verificarea uzurii cuțitelor



Interval de întreținere: Înainte de fiecare utilizare

- **Pericol de accidentare!** Cuțitele se uzează în mod diferit, în funcție de locul și de durata de utilizare. Dacă utilizați aparatul pe sol nisipos sau dacă-l utilizați frecvent în condiții uscate, cuțitul este solicitat mai mult și se uzează mai rapid față de durata medie. Un cuțit uzat se poate rupe și poate provoca răni grave. Din acest motiv, instrucțiunile de întreținere a cuțitelor trebuie întotdeauna respectate.
- Se rabate în sus mașina de tuns iarba, în poziția de curățare. (⇒ 12.3)
- Se curăță cuțitul (1).
- Se așează o riglă (1) pe muchia din față a cuțitului și se măsoară muchia anterioară **A**.
- Se măsoară lățimea **B** a cuțitului cu un șubler (2).

- Se verifică grosimea **C** a cuțitului în minimum 5 puncte cu un șubler (2). Grosimea minimă trebuie să existe, în special, și în zona aripioarelor cuțitului.

Limite de uzură:

Muchia anterioară **A**: < 15 mm

Lățimea cuțitului **B**: > 39 mm

Grosimea cuțitului **C**: > 2 mm

Cuțitul se înlocuiește

- când este deteriorat (ciobituri, fisuri),
- când s-au atins valorile de măsură în una sau mai multe poziții, respectiv acestea se situează în afara limitelor admise.

Dacă pe mașina de tuns iarba este montat ca accesoriu special cuțitul multiplu, sunt valabile alte limite de uzură (a se vedea instrucțiunile de utilizare a accesoriului).

12.5 Demontarea și montarea cuțitului



Demontarea:

- Se utilizează o bucată de lemn adecvată (1) pentru a ține contra de cuțitul (2).
- Se deșurubează șurubul (3) al cuțitului. Se scot cuțitul (2), șurubul (3) al cuțitului și șaiba de siguranță (4).

Montarea:



Pericol de accidentare!

Cuțitul (2) poate fi montat numai ca în figură. Clemele (7) trebuie să fie orientate în jos iar aripioarele îndoite ale cuțitului trebuie să fie orientate în sus.

Se respectă cu strictețe cuplul de strângere indicat pentru șurubul cuțitului, deoarece de acesta depinde fixarea sigură a sculei de tăiere. Șurubul (3) al cuțitului se asigură suplimentar cu **Loctite 243**.

Se înlocuiește șaiba de siguranță (4) la fiecare montare a cuțitului, iar șurubul (3) se înlocuiește la fiecare înlocuire a cuțitului.

- Se curăță suprafața de așezare a cuțitului și bucșa cuțitului.
- Cuțitul (2) se montează cu aripioarele îndoite orientate în sus (spre aparat). Ciocurile de susținere (5) de pe bucșa cuțitului trebuie poziționate în orificiile (6) ale cuțitului.
- Se utilizează o bucată de lemn adecvată (1) pentru a ține contra de cuțitul (2).
- Se înșurubează șurubul (3) al cuțitului cu șaibă nouă de siguranță (4) și se strânge.
Cuplu de strângere: **60 - 65 Nm**

12.6 Ascuțirea cuțitului

STIHL recomandă ca ascuțirea cuțitului să fie făcută de un specialist. În cazul ascuțirii incorecte a cuțitului (unghi de ascuțire incorect, dezechilibru etc.), este afectată funcționarea aparatului.

Instrucțiuni de ascuțire:

- Se demontează cuțitul (⇒ 12.5).
- La ascuțire, cuțitele se vor răci, de exemplu, cu apă. Nu este permisă apariția unei colorații albastre deoarece, în caz contrar, rezistența tășului se reduce.
- Pentru a evita vibrațiile produse de dezechilibrare, cuțitele se vor ascuți uniform.
- Se va respecta un unghi de ascuțire de 30°.
- Dacă este cazul, după operația de ascuțire se va înlătura bavura produsă pe muchia de tăiere folosind o hârtie abrazivă fină.
- Se vor avea în vedere limitele de uzură. (⇒ 12.4)

12.7 Conservarea și scoaterea temporară din funcțiune (pauza de iarnă)

Păstrați aparatul într-un spațiu uscat, închis, fără praf. Asigurați-vă că aparatul este depozitat în locuri inaccesibile copiilor.

Remediați eventualele defecțiuni înainte de depozitare. Aparatul trebuie să se afle întotdeauna într-o stare sigură de funcționare.

Înainte de depozitare se golește carburantul din rezervor și din carburator (de exemplu prin funcționare în gol până la terminarea carburantului).

În cazul unei pauze îndelungate în funcționarea aparatului (pauză de iarnă), se vor avea în vedere, în mod suplimentar, următoarele puncte:

- Se vor curăța cu atenție toate piesele exterioare ale aparatului.
- Toate piesele mobile se vor unge bine cu ulei, respectiv vaselină.
- Se deșurubează bujia (a se vedea instrucțiunile de utilizare pentru motorul cu ardere internă) și se introduc cca. 3 cm³ ulei de motor prin orificiul bujiei. După aceasta, se rotește motorul cu ardere internă de câteva ori, fără bujie (prin tragerea cablului de pornire).



Pericol de incendiu!

Fișa bujiei se menține la distanță de capul bujiei datorită pericolului de aprindere.

- Se înșurubează din nou bujia (a se vedea instrucțiunile de utilizare pentru motorul cu ardere internă).
- Se efectuează schimbul de ulei (a se vedea instrucțiunile de utilizare pentru motorul cu ardere internă).
- Se acoperă motorul cu ardere internă și se depozitează aparatul în poziție normală.

13. Transportul

13.1 Transportul



Pericol de accidentare!

Înainte de transport, aveți în vedere capitolul „Pentru siguranța dvs.”. (⇒ 4.)

Pentru transport se va purta întotdeauna îmbrăcăminte adecvată de protecție (încălțăminte de protecție, mănuși de lucru rezistente).

Înainte de ridicarea, respectiv a transportului, se scoate întotdeauna fișa de pe bujie. STIHL recomandă, din motive de siguranță, ca aparatul să fie ridicat, respectiv transportat, numai cu ajutorul unei a doua persoane. Înainte de ridicare, se va avea în vedere greutatea indicată în capitolul „Specificații tehnice”.

Deplasarea aparatului

- Două persoane:
Aparatul se ridică numai de mânerul din față (1) și de ghidonul (3). Se va păstra întotdeauna o distanță suficientă a cuțitului față de corp, în special față de picioare.
- O singură persoană:
Aparatul se ridică, respectiv se transportă ținând cu o mână de mijlocul mânerului spate (2) și cu cealaltă mână de mânerul față (1).

Ancorarea aparatului

- Se asigură aparatul pe suprafața de transport cu mijloace adecvate de fixare.
- Cablurile, respectiv chingile, se fixează de punctele marcate (4).

14. Protecția mediului



Iarba tunsă nu trebuie aruncată la gunoi, ci trebuie transformată în compost.

Ambalajul, aparatul și accesoriile sunt realizate din materiale reciclabile și se vor evacua la deșeuri în mod corespunzător.

Evacuarea separată și corectă la deșeuri a resturilor de material stimulează reutilizarea în fabricație a materialelor de valoare. Din acest motiv, după trecerea perioadei normale de utilizare, aparatul trebuie predat la un centru de colectare materiale de valoare. Pentru evacuarea la deșeuri, aveți în vedere indicațiile cuprinse în capitolul „Evacuarea la deșeuri“ (⇒ 4.9).

Adresați-vă unui centru de reciclare sau distribuitorului dvs. autorizat pentru a afla cum trebuie evacuate în mod corespunzător la deșeuri produsele care nu mai sunt folosite.

15. Reducerea uzurii și evitarea deteriorărilor

Indicații importante pentru întreținerea și îngrijirea grupei de produse

Mașină de tuns iarba cu motor pe benzină (STIHL RM)

Firma STIHL nu își asumă nicio răspundere pentru daune materiale și vătămări corporale care se produc prin nerespectarea indicațiilor din instrucțiunile de utilizare, în special în ceea ce privește siguranța, utilizarea și întreținerea, precum și din cauza utilizării unor accesorii sau piese de schimb neatestate.

Vă rugăm să respectați neapărat următoarele indicații importante pentru evitarea deteriorărilor sau a uzurii excesive a aparatului dumneavoastră STIHL:

1. Piese de uzură

Chiar și în cazul utilizării conform destinației, unele piese ale aparatului STIHL sunt supuse unei uzuri normale și trebuie, în funcție de modul și durata de utilizare, să fie înlocuite la timp.

Din acestea fac parte printre altele:

- Cuțitul
- Coș de colectare iarbă
- Cureaua trapezoidală (RM 443 T, RM 448 PC, RM 448 PT, RM 448 T, RM 448 TC, RM 448 TX, RM 448 VC)

2. Respectarea indicațiilor cuprinse în aceste instrucțiuni

Utilizarea, întreținerea și depozitarea aparatului STIHL trebuie să se efectueze conform celor descrise în aceste instrucțiuni de utilizare. Toate deteriorările

cauzate de nerespectarea instrucțiunilor de siguranță, exploatare și întreținere, cad în sarcina exclusivă a utilizatorului.

Acest lucru este valabil în special pentru:

- modificări ale produsului neautorizate de firma STIHL.
- utilizarea de materiale consumabile neadmise de STIHL (pentru lubrifianți, benzină și ulei de motor, a se vedea specificațiile producătorului motorului cu ardere internă).
- utilizarea pe aparat a unor scule sau accesorii care nu sunt permise, nu sunt adecvate sau care sunt de o calitate inferioară.
- utilizarea neconformă cu destinația produsului.
- utilizarea produsului la manifestări sportive sau concursuri.
- defecte cauzate de utilizarea în continuare a produsului cu componente defecte.

3. Lucrări de întreținere

Toate lucrările prezentate în capitolul „Întreținere” trebuie executate în mod regulat.

În măsura în care aceste lucrări nu sunt efectuate de utilizatorul însuși, se va dispune efectuarea lor de către un distribuitor autorizat.

STIHL recomandă efectuarea de lucrări de întreținere și reparație numai la distribuitorul autorizat STIHL.

Distribuitorii autorizați STIHL sunt instruiți în permanență și dispun de informațiile tehnice necesare.

Dacă aceste lucrări sunt omise, pot apărea defecte care cad exclusiv în sarcina utilizatorului.

Printre acestea se numără:

- coroziunea și alte defecțiuni rezultate în urma unei depozitări necorespunzătoare.
- defecțiuni ale aparatului datorate utilizării unor piese de schimb de calitate inferioară.
- defecțiuni ale motorului rezultate din neefectuarea la timp sau efectuarea insuficientă a operațiilor de întreținere, respectiv defecțiuni datorate lucrărilor de întreținere sau reparație care nu au fost efectuate în atelierele unor distribuitori de specialitate.

16. Piese de schimb cerute mai frecvent

Cuțit RM 443, RM 443 T:

6338 702 0100

Cuțit RM 448 PC, RM 448 PT, RM 448 T, RM 448 TC, RM 448 TX, RM 448 VC:

6358 702 0100

Șurub cuțit:

9008 319 9028

Șaibă de siguranță:

0000 702 6600



Elementele de fixare a cuțitului (de exemplu șurubul cuțitului) trebuie înlocuite la schimbarea cuțitului, respectiv la montarea acestuia. Piese de schimb se pot obține de la distribuitorii autorizați STIHL.

17. Declarația de conformitate UE

17.1 Mașină de tuns iarba cu motor pe benzină (STIHL RM)

STIHL Tirol GmbH
Hans Peter Stihl-Straße 5
A-6336 Langkampfen
Austria

declară pe proprie răspundere, că mașina

Mașina de tuns iarba, condusă manual, cu motor cu ardere internă (STIHL RM)

Marca de fabricație: STIHL

Număr de identificare serie: 6338

Tip: RM 443.0
RM 443.0 T

Număr de identificare serie: 6358

Tip: RM 448.0 PC
RM 448.0 PT
RM 448.0 T
RM 448.0 TC
RM 448.0 TX
RM 448.0 VC

corespunde cu următoarele directive CE: 2011/65/EU, 2000/14/EC, 2014/30/EU, 2006/42/EC

Produsul este proiectat și fabricat în conformitate cu următoarele standarde: EN ISO 5395-1, EN ISO 5395-2, EN 14982

Pentru dezvoltarea și fabricarea produselor se aplică versiunile standardelor în vigoare la data fabricației.

Procedura utilizată pentru evaluarea conformității:
Anexa VIII (2000/14/EC)

Numele și adresa organismului de atestare desemnat:

TÜV Rheinland LGA Products GmbH
Tillystraße 2
D-90431 Nürnberg

Alcătuirea și păstrarea documentației tehnice:

Sven Zimmermann
STIHL Tirol GmbH

Anul de fabricație și numărul mașinii sunt indicate pe eticheta cu caracteristici a aparatului.

Nivel de putere acustică măsurat:

RM 443.0	93,0 dB(A)
RM 443.0 T	93,0 dB(A)
RM 448.0 PC	95,3 dB(A)
RM 448.0 PT	95,3 dB(A)
RM 448.0 T	95,7 dB(A)
RM 448.0 TC	95,7 dB(A)
RM 448.0 TX	95,3 dB(A)
RM 448.0 VC	95,3 dB(A)

Nivel maxim al puterii acustice:

RM 443.0	94 dB(A)
RM 443.0 T	94 dB(A)
RM 448.0 PC	96 dB(A)
RM 448.0 PT	96 dB(A)
RM 448.0 T	96 dB(A)
RM 448.0 TC	96 dB(A)
RM 448.0 TX	96 dB(A)
RM 448.0 VC	96 dB(A)

Langkampfen,
2019-01-02 (AAAA-LL-ZZ)

STIHL Tirol GmbH

reprezentat de



Sven Zimmermann

Şef de departament construcții

18. Specificații tehnice

RM 443.0, RM 443.0 T, RM 448.0 PC, RM 448.0 PT, RM 448.0 T, RM 448.0 TC, RM 448.0 TX, RM 448.0 VC:

Motor cu ardere internă, tip constructiv	Motor cu ardere internă în 4 timpi
Sistem de pornire	Pornire cu cablu
Dispozitiv de tăiere	Suport cuțit permanentă
Aționare suport cuțit	
Cuplu de strângere șurub cuțit	60 - 65 Nm
Dispozitiv de protecție	Oprire motor
Ø roată față	180 mm
Ø roată spate	200 mm
Capacitate coș de colectare iarbă	55 l
Înălțime de tăiere	25 - 75 mm

RM 443.0, RM 443.0 T:

Număr de identificare serie	6338
Lățime de tăiere:	41 cm

RM 443.0:

Motor cu ardere internă: Producător, tip	Briggs & Stratton, Series 550 EX OHV RS
Cilindree	140 cmc
Putere nominală la turație nominală	2,1 - 2800 kW - rot/min
Rezervor de carburant	0,8 l
Turație suport cuțit	2800 rot/min
Sistem de acționare roți:	nu
Lungime	144 cm
Lățime	49 cm
Înălțime	109 cm
Greutate	23 kg

Emisii de zgomot

Conform directivei 2000/14/EC:	
Nivel garantat de putere acustică L_{WA_d}	94 dB(A)
Conform directivei 2006/42/EC:	
Nivel de presiune acustică la locul de muncă L_{pA}	81 dB(A)
Incertitudine K_{pA}	2 dB(A)

Vibrații la mână, braț

Factor de vibrații indicat conform EN 12096:	
Valoare măsurată a_{hw}	4,10 m/sec ²
Incertitudine K_{hw}	2,05 m/sec ²
Măsurători conform EN 20643	

RM 443.0 T:

Motor cu ardere internă: Producător, tip	Briggs & Stratton, Series 550 EX OHV RS
Cilindree	140 cmc

Putere nominală la turație nominală	2,1 - 2800 kW - rot/min
Rezervor de carburant	0,8 l
Turație suport cuțit	2800 rot/min
Sistem de acționare roți	O treaptă de viteză înainte cu pornire lină
Lungime	144 cm
Lățime	48 cm
Înălțime	109 cm
Greutate	25 kg

Emisii de zgomot

Conform directivei 2000/14/EC:	
Nivel garantat de putere acustică L_{WA_d}	94 dB(A)
Conform directivei 2006/42/EC:	
Nivel de presiune acustică la locul de muncă L_{pA}	81 dB(A)
Incertitudine K_{pA}	2 dB(A)
Vibrații la mână, braț	
Factor de vibrații indicat conform EN 12096:	
Valoare măsurată a_{hw}	4,10 m/sec ²
Incertitudine K_{hw}	2,05 m/sec ²
Măsurători conform EN 20643	

RM 448.0 PC, RM 448.0 PT, RM 448.0 T, RM 448.0 TC, RM 448.0 TX, RM 448.0 VC:

Număr de identificare serie	6358
Lățime de tăiere	46 cm

RM 448.0 PC:

Motor cu ardere internă: Producător, tip	Briggs & Stratton, Series 625
--	-------------------------------

Cilindree	150 cmc
Putere nominală la turație nominală	2,2 - 2800 kW - rot/min
Rezervor de carburant	0,8 l
Turație suport cuțit	2800 rot/min
Sistem de acționare roți	O treaptă de viteză înainte cu pornire lină
Lungime	147 cm
Lățime	50 cm
Înălțime	113 cm
Greutate	27 kg

Emisii de zgomot

Conform directivei 2000/14/EC:

Nivel garantat de putere acustică L_{WAAd} 96 dB(A)

Conform directivei 2006/42/EC:

Nivel de presiune acustică la locul de muncă L_{pA} 83 dB(A)

Incertitudine K_{pA} 2 dB(A)

Vibrații la mână, braț

Factor de vibrații indicat conform EN 12096:

Valoare măsurată

a_{hw} 3,00 m/sec²

Incertitudine K_{hw} 1,50 m/sec²

Măsurători conform EN 20643

RM 448.0 PT:

Motor cu ardere internă: Producător, tip
Briggs & Stratton, Series 625

Cilindree 150 cmc

Putere nominală la turație nominală
2,2 - 2800 kW - rot/min

Rezervor de carburant
0,8 l

Turație suport cuțit	2800 rot/min
Sistem de acționare roți:	O treaptă de viteză înainte cu pornire lină
Lungime	147 cm
Lățime	50 cm
Înălțime	111 cm
Greutate	27 kg

Emisii de zgomot

Conform directivei 2000/14/EC:

Nivel garantat de putere acustică L_{WAAd} 96 dB(A)

Conform directivei 2006/42/EC:

Nivel de presiune acustică la locul de muncă L_{pA} 83 dB(A)

Incertitudine K_{pA} 2 dB(A)

Vibrații la mână, braț

Factor de vibrații indicat conform EN 12096:

Valoare măsurată

a_{hw} 3,90 m/sec²

Incertitudine K_{hw} 1,95 m/sec²

Măsurători conform EN 20643

RM 448.0 T:

Motor cu ardere internă: Producător, tip
Briggs & Stratton, Series 575

Cilindree 140 cmc

Putere nominală la turație nominală
2,1 - 2800 kW - rot/min

Rezervor de carburant
0,8 l

Turație suport cuțit
2800 rot/min

Sistem de acționare roți:
O treaptă de viteză înainte cu pornire lină

Lungime
147 cm

Lățime	50 cm
Înălțime	111 cm
Greutate	26 kg

Emisii de zgomot

Conform directivei 2000/14/EC:

Nivel garantat de putere acustică L_{WAAd} 96 dB(A)

Conform directivei 2006/42/EC:

Nivel de presiune acustică la locul de muncă L_{pA} 83 dB(A)

Incertitudine K_{pA} 2 dB(A)

Vibrații la mână, braț

Factor de vibrații indicat conform EN 12096:

Valoare măsurată

a_{hw} 3,90 m/sec²

Incertitudine K_{hw} 1,95 m/sec²

Măsurători conform EN 20643

RM 448.0 TC:

Motor cu ardere internă: Producător, tip
Briggs & Stratton, Series 575

Cilindree 140 cmc

Putere nominală la turație nominală
2,1 - 2800 kW - rot/min

Rezervor de carburant
0,8 l

Turație suport cuțit
2800 rot/min

Sistem de acționare roți:
O treaptă de viteză înainte cu pornire lină

Lungime
147 cm

Lățime
50 cm

Înălțime
113 cm

Greutate
27 kg

Emisii de zgomot

Conform directivei 2000/14/EC:

Nivel garantat de
putere acustică L_{WAd} 96 dB(A)
Conform directivei 2006/42/EC:

Nivel de presiune
acustică la locul de
muncă L_{pA} 83 dB(A)
Incertitudine K_{pA} 2 dB(A)

Vibrații la mână, braț

Factor de vibrații indicat conform
EN 12096:

Valoare măsurată
 a_{hw} 3,50 m/sec²
Incertitudine K_{hw} 1,75 m/sec²
Măsurători conform EN 20643

RM 448.0 TX:

Motor cu ardere internă: Producător, tip	Briggs & Stratton, Series 550 EX OHV RS
Cilindree	140 cmc
Putere nominală la turație nominală	2,1 - 2800 kW - rot/min
Rezervor de carburant	0,8 l
Turație suport cuțit	2800 rot/min
Sistem de acționare roți	O treaptă de viteză înainte cu pornire lină
Lungime	147 cm
Lățime	50 cm
Înălțime	111 cm
Greutate	26 kg

Emisii de zgomot

Conform directivei 2000/14/EC:
Nivel garantat de
putere acustică L_{WAd} 96 dB(A)
Conform directivei 2006/42/EC:

Nivel de presiune
acustică la locul de
muncă L_{pA} 83 dB(A)
Incertitudine K_{pA} 2 dB(A)

Vibrații la mână, braț

Factor de vibrații indicat conform
EN 12096:

Valoare măsurată
 a_{hw} 4,10 m/sec²
Incertitudine K_{hw} 2,05 m/sec²
Măsurători conform EN 20643

RM 448.0 VC:

Motor cu ardere internă: Producător, tip	Briggs & Stratton, Series 625
Cilindree	150 cmc
Putere nominală la turație nominală	2,2 - 2800 kW - rot/min
Rezervor de carburant	0,8 l
Turație suport cuțit	2800 rot/min
Sistem de acționare roți	Vario înainte
Lungime	147 cm
Lățime	50 cm
Înălțime	113 cm
Greutate	28 kg

Emisii de zgomot

Conform directivei 2000/14/EC:
Nivel garantat de
putere acustică L_{WAd} 96 dB(A)
Conform directivei 2006/42/EC:
Nivel de presiune
acustică la locul de
muncă L_{pA} 83 dB(A)
Incertitudine K_{pA} 2 dB(A)

Vibrații la mână, braț

Factor de vibrații indicat conform
EN 12096:

Valoare măsurată
 a_{hw} 3,00 m/sec²
Incertitudine K_{hw} 1,50 m/sec²
Măsurători conform EN 20643

18.1 REACH

REACH este o ordonanță CE pentru
înregistrarea, evaluarea și atestarea
substanțelor chimice.

Pentru informații privind îndeplinirea
ordonanței REACH (CE) nr. 1907/2006, a
se vedea www.stihl.com/reach.

19. Identificarea cauzelor defecțiunilor

✖ apelați eventual la un distribuitor
autorizat; STIHL recomandă
distribuitorii autorizați STIHL.

📖 a se vedea instrucțiunile de utilizare
pentru motorul cu ardere internă.

Defecțiuni:

Motorul cu ardere internă nu pornește

Cauză posibilă:

- Maneta de oprire a motorului nu este acționată.
- Nu există carburant în rezervor; conducta pentru carburant este înfundată.
- În rezervor se găsește carburant de calitate slabă, murdar sau vechi.
- Filtrul de aer este murdar.
- Fișa bujiei este scoasă de pe bujie; cablul de aprindere este fixat slab în fișa de bujie.

- Bujia este ancrasată sau defectă; distanță incorectă între electrozi.

Remediu:

- Se apasă maneta de oprire a motorului spre ghidon și se menține apăsată. (⇒ 9.2)
- Se completează cu carburant; se curăță conducta de carburant. ✘
- Se utilizează numai carburant proaspăt de marcă, benzină fără plumb; se curăță carburatorul. ✘
- Se curăță filtrul de aer. ✘
- Se conectează fișa bujiei; se verifică legătura dintre cablul de aprindere și fișa de bujie. ✘
- Se curăță sau se înlocuiește bujia; se reglează distanța dintre electrozi. ✘

Defecțiuni:

Pornire îngreunată sau puterea motorului cu ardere internă scade în timpul lucrului.

Cauză posibilă:

- Carcasa mașinii de tuns iarba este înfundată.
- Cosire cu treaptă prea joasă de tăiere, respectiv viteza de înaintare este prea mare în raport cu înălțimea de tăiere.
- Apă în rezervorul de carburant și în carburator; carburatorul este înfundat.
- Rezervorul de carburant este murdar.
- Filtrul de aer este murdar.
- Bujie ancrasată.

Remediu:

- Se curăță carcasa mașinii de tuns iarba (se scoate fișa de pe bujie!) (⇒ 12.3)
- Se reglează o treaptă mai înaltă de tăiere, respectiv se reduce viteza de deplasare. (⇒ 8.4)
- Se golește rezervorul de carburant și se curăță conducta de carburant și carburatorul. ✘
- Se curăță rezervorul de carburant. ✘
- Se curăță filtrul de aer. ✘

- Se curăță bujia. ✘

Defecțiuni:

Motorul cu ardere internă se încălzește foarte mult.

Cauză posibilă:

- Nivel prea mic de ulei în motorul cu ardere internă.
- Aripioarele de răcire sunt murdare.

Remediu:

- Se schimbă uleiului din motor. (⇒ 7.6)
- Se curăță aripioarele de răcire. (⇒ 12.3)

Defecțiuni:

Vibrații puternice în timpul funcționării.

Cauză posibilă:

- Unitate de tăiere defectă.
- Sistemul de fixare a motorului cu ardere internă este slăbit.

Remediu:

- Se controlează cuțitul, axul cuțitului și fixarea cuțitului (șurubul cuțitului și șaiba de siguranță) și eventual se repară. ✘
- Se strâng șuruburile de fixare a motorului cu ardere internă. ✘

Defecțiuni:

Tundere neaspectuoasă, gazonul se îngălbenește

Cauză posibilă:

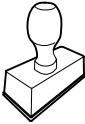
- Cuțitul este tocit sau uzat

Remediu:

- Se ascute cuțitul sau se înlocuiește (⇒ 12.6), (⇒ 12.5), ✘


20. Planul de întreținere


20.1 Confirmare de predare

Model:	_____
Număr de serie:	<input type="text"/> <input type="text"/> <input type="text"/> <input type="text"/> <input type="text"/> <input type="text"/> <input type="text"/> <input type="text"/> <input type="text"/> <input type="text"/>
Data:	<input type="text"/> <input type="text"/> <input type="text"/> <input type="text"/> <input type="text"/> <input type="text"/> <input type="text"/> <input type="text"/>
	
Următoarea operație de întreținere	
Data:	<input type="text"/> <input type="text"/> <input type="text"/> <input type="text"/> <input type="text"/> <input type="text"/> <input type="text"/> <input type="text"/>

20.2 Confirmare de service

Cu ocazia lucrărilor de întreținere, prezentați aceste instrucțiuni de utilizare distribuitorului dvs. autorizat STIHL. Acesta confirmă în rubricile formularului efectuarea lucrărilor de service.

 Operație de service efectuată la data de

 Data următoarei operații de service




Αγαπητέ πελάτη,

Σας ευχαριστούμε που επιλέξατε την STIHL για την αγορά σας. Στόχος μας είναι να σχεδιάζουμε και να κατασκευάζουμε προϊόντα κορυφαίας ποιότητας που ανταποκρίνονται στις ανάγκες των πελατών μας. Έτσι δημιουργούμε προϊόντα με υψηλή αξιοπιστία, ακόμα και κάτω από ακραίες συνθήκες χρήσης.

Παράλληλα, η STIHL παρέχει επίσης σέρβις κορυφαίας ποιότητας. Οι πιστοποιημένοι αντιπρόσωποί μας μπορούν να σας προσφέρουν έγκυρες συμβουλές, εκπαίδευση και πλήρη τεχνική υποστήριξη.

Σας ευχαριστούμε για την εμπιστοσύνη σας και σας ευχόμαστε πολλά χρόνια ευχάριστης εργασίας με το προϊόν STIHL σας.



Δρ. Nikolas Stihl

ΠΡΟΣΟΧΗ! ΔΙΑΒΑΣΤΕ ΤΟ ΕΓΧΕΙΡΙΔΙΟ ΑΥΤΟ ΠΡΙΝ ΤΗ ΧΡΗΣΗ ΚΑΙ ΦΥΛΑΞΤΕ ΤΟ.

1. Περιεχόμενα

Σχετικά με αυτές τις οδηγίες χρήσης	242
Γενικά	242
Υποδείξεις σχετικά με την ανάγνωση των οδηγιών χρήσης	242
Περιγραφή εργαλείου	243
Για τη δική σας ασφάλεια	243
Γενικά	243
Ανεφοδιασμός - χειρισμός καυσίμων	244
Ενδυμασία και εξοπλισμός	245
Μεταφορά του εργαλείου	245
Πριν την εργασία	245
Κατά τις εργασίες	246
Συντήρηση και επισκευές	248
Αποθήκευση σε μεγαλύτερα διαστήματα παύσης της λειτουργίας	249
Απόρριψη	250
Περιγραφή συμβόλων	250
Περιεχόμενα συσκευασίας	251
Προετοιμασία του εργαλείου για χρήση	251
Γενικά	251
Τοποθέτηση μονοκόμματου τιμονιού (RM 448 PC, RM 448 TC, RM 448 VC)	251
Τοποθέτηση διαιρούμενου τιμονιού (RM 443, RM 443 T, RM 448 PT, RM 448 T, RM 448 TX)	251
Συναρμολόγηση χορτοσυλλέκτη	252
Τοποθέτηση και αφαίρεση σχοινού μίζας	252
Καύσιμο και λιπαντικό κινητήρα	252
Χειριστήρια	252
Ρύθμιση μονοκόμματου τιμονιού (RM 448 PC, RM 448 TC, RM 448 VC)	252
Αναδίπλωση διαιρούμενου τιμονιού (RM 443, RM 443 T, RM 448 PT, RM 448 T, RM 448 TX)	253
Χορτοσυλλέκτης	253
Κεντρική ρύθμιση ύψους κοπής	253
Ένδειξη στάθμης πλήρωσης	253
Συστήματα ασφαλείας	254
Προστατευτικές διατάξεις	254
Μπάρα διακοπής του κινητήρα	254
Υποδείξεις για την εργασία	254
Περιοχή εργασίας του χειριστή	254
Θέση του εργαλείου σε λειτουργία	255
Εκκίνηση κινητήρα εσωτερικής καύσης	255
Θέση του κινητήρα εσωτερικής καύσης εκτός λειτουργίας	255
Μετάδοση κίνησης (RM 443 T, RM 448 PC, RM 448 PT, RM 448 T, RM 448 TX, RM 448 TC, RM 448 VC)	255
Εκκένωση του χορτοσυλλέκτη	255
Συντήρηση	256
Γενικά	256
Κινητήρας εσωτερικής καύσης	256
Καθαρισμός εργαλείου	256
Έλεγχος φθοράς των μαχαιριών	257
Αφαίρεση και τοποθέτηση μαχαιριού κοπής	257
Τρόχισμα του μαχαιριού κοπής	257
Φύλαξη και ακινητοποίηση (χειμερινή παύση εργασιών)	258
Μεταφορά	258
Μεταφορά	258
Προστασία περιβάλλοντος	259
Ελαχιστοποίηση φθορών και αποφυγή βλαβών	259

Συνηθισμένα ανταλλακτικά	260
Πιστοποιητικό συμβατότητας ΕΕ	260
Βενζινοκίνητο χλοοκοπτικό (STIHL RM)	260
Τεχνικά στοιχεία	261
REACH	264
Εντοπισμός βλαβών	264
Πρόγραμμα συντήρησης	265
Βεβαίωση παράδοσης	265
Βεβαίωση συντήρησης	265

2. Σχετικά με αυτές τις οδηγίες χρήσης

2.1 Γενικά

Αυτές οι οδηγίες χρήσης αποτελούν **γνήσιες οδηγίες λειτουργίας** του κατασκευαστή, όπως αυτές ορίζονται σύμφωνα με την Οδηγία της ΕΕ 2006/42/EC.

Η STIHL εργάζεται συνεχώς για τη βελτίωση και εξέλιξη της σειράς των προϊόντων της, συνεπώς διατηρεί το δικαίωμα αλλαγών των προϊόντων όσον αφορά τη μορφή, την τεχνική και τον εξοπλισμό τους.

Για το λόγο αυτό, οι αναφορές και οι εικόνες που περιέχονται στο παρόν φυλλάδιο δεν είναι δεσμευτικές.

Στις παρούσες οδηγίες χρήσης περιγράφονται και ενδεχόμενα μοντέλα τα οποία δεν είναι διαθέσιμα σε όλες τις χώρες.

Οι παρούσες οδηγίες χρήσης καλύπτονται από τις διατάξεις περί προστασίας πνευματικών δικαιωμάτων. Με την επιφύλαξη παντός δικαιώματος και

ειδικότερα του δικαιώματος της αναπαραγωγής, της μετάφρασης και της επεξεργασίας με ηλεκτρονικά συστήματα.

2.2 Υποδείξεις σχετικά με την ανάγνωση των οδηγιών χρήσης

Οι εικόνες και τα κείμενα περιγράφουν συγκεκριμένα βήματα χειρισμού.

Όλα τα σύμβολα εικόνων που είναι τοποθετημένα στο εργαλείο επεξηγούνται στις παρούσες οδηγίες χρήσης.

Κατεύθυνση βλέμματος:

Κατεύθυνση βλέμματος όταν αναφέρεται «**δεξιά**» και «**αριστερά**» στις οδηγίες χρήσης:

Ο χρήστης βρίσκεται πίσω από το εργαλείο και κοιτά εμπρός, προς την κατεύθυνση κίνησης.

Παραπομπή κεφαλαίων:

Η παραπομπή στα αντίστοιχα κεφάλαια και υποκεφάλαια για περαιτέρω επεξηγήσεις γίνεται με ένα βέλος. Στο παράδειγμα που ακολουθεί παρουσιάζεται μία παραπομπή σε ένα κεφάλαιο: (⇒ 4.)

Χαρακτηρισμός των αποσπασμάτων των κειμένων:

Οι υποδείξεις που περιγράφονται ενδέχεται να επισημαίνονται με τον τρόπο που παρουσιάζεται στα παρακάτω παραδείγματα.

Βήματα χειρισμού που απαιτούν την επέμβαση του χρήστη:

- Λύστε τη βίδα (1) με ένα κατσαβίδι, πιέστε το μοχλό (2) ...

Γενικές περιγραφές:

- Χρήση του προϊόντος σε αθλητικές δραστηριότητες ή διαγωνισμού

Κείμενο με πρόσθετη σημασία:

Τα αποσπάσματα με πρόσθετη σημασία επισημαίνονται με τα εξής σύμβολα για να τονιστούν ιδιαίτερα σε αυτές τις οδηγίες χρήσης.



Κίνδυνος!

Κίνδυνος ατυχήματος και σοβαρών τραυματισμών ατόμων. Απαιτείται ή πρέπει να αποφευχθεί μία συγκεκριμένη συμπεριφορά.



Προειδοποίηση!

Κίνδυνος τραυματισμών ατόμων. Μία συγκεκριμένη συμπεριφορά αποτρέπει πιθανούς ή ενδεχόμενους τραυματισμούς.



Προσοχή!

Οι ελαφριοί τραυματισμοί ή αντίστοιχα οι υλικές ζημιές μπορούν να αποτραπούν με μία συγκεκριμένη συμπεριφορά.



Υπόδειξη

Πληροφορίες για την καλύτερη χρήση του εργαλείου και για την αποφυγή πιθανών λανθασμένων χειρισμών.

Κείμενα σε συσχέτισμό με εικόνα:

Όλες τις απεικονίσεις που επεξηγούν τη χρήση του εργαλείου θα τις βρείτε στην αρχή αυτών των οδηγιών χρήσης.

Το σύμβολο κάμερας χρησιμεύει στο συσχέτισμό των εικόνων στις σελίδες εικόνων με το αντίστοιχο τμήμα κειμένου των οδηγιών χρήσης.



3. Περιγραφή εργαλείου



- 1 Μπάρα διακοπής του κινητήρα
- 2 Μπάρα μετάδοσης κίνησης (RM 443 T, RM 448 PC, RM 448 PT, RM 448 T, RM 448 TX, RM 448 TC, RM 448 VC)
- 3 Μοχλός μετάδοσης κίνησης Vario (RM 448 VC)
- 4 Επάνω τμήμα του τιμονιού
- 5 Σχοινί μίζας
- 6 Ταχυτανυστήρας (RM 443, RM 443 T, RM 448 PT, RM 448 T, RM 448 TX)
- 7 Κάτω τμήμα τιμονιού (RM 443, RM 443 T, RM 448 PT, RM 448 T, RM 448 TX)
- 8 Κινητήρας εσωτερικής καύσης
- 9 Σιγαστήρας εξάτμισης με σχάρα προστασίας
- 10 Κάλυμμα μπουζί
- 11 Χειρολαβή μπροστά
- 12 Εμπρός τροχός
- 13 Πίσω τροχός
- 14 Χορτοσυλλέκτης
- 15 Χειρολαβή πίσω
- 16 Μοχλός ρύθμισης ύψους κοπής
- 17 Πινακίδα ισχύος με αριθμό εργαλείου
- 18 Κονσόλα τιμονιού (RM 448 PC, RM 448 TC, RM 448 VC)
- 19 Μοχλός ασφάλισης τιμονιού (RM 448 PC, RM 448 TC, RM 448 VC)

4. Για τη δική σας ασφάλεια

4.1 Γενικά



Κατά τις εργασίες με το εργαλείο θα πρέπει να τηρηθούν οπωσδήποτε οι παρόντες κανονισμοί πρόληψης

ατυχημάτων.



Πριν από την πρώτη θέση σε λειτουργία θα πρέπει να διαβάσετε προσεκτικά όλες τις οδηγίες χρήσης. Φυλάξτε τις

οδηγίες χρήσης προσεκτικά για μελλοντική χρήση.

Δώστε προσοχή στις υποδείξεις λειτουργίας και συντήρησης που αναφέρονται στις ξεχωριστές οδηγίες χρήσης του κινητήρα εσωτερικής καύσης.

Αυτά τα προληπτικά μέτρα είναι απαραίτητα για τη δική σας ασφάλεια. Χρησιμοποιείτε το εργαλείο με σύνεση και υπευθυνότητα και έχετε πάντοτε υπ' όψιν σας ότι ο χρήστης του εργαλείου ευθύνεται για τυχόν ατυχήματα ή πρόκληση ζημιών σε ξένη ιδιοκτησία.

Εξοικειωθείτε με τα χειριστήρια και τη χρήση του εργαλείου.

Το εργαλείο επιτρέπεται να χρησιμοποιηθεί μόνο από άτομα που έχουν διαβάσει τις οδηγίες χρήσης και εξοικειωθεί με τη χρήση του εργαλείου. Πριν από την πρώτη θέση σε λειτουργία θα πρέπει ο χρήστης να επιδιώκει να λαμβάνει πρακτικές και σωστές υποδείξεις και συμβουλές χρήσης. Ο πωλητής ή ο ειδικός τεχνίτης θα πρέπει να εξηγήσει στο χρήστη τον ασφαλή χειρισμό του εργαλείου.

Μ' αυτήν την υποδείξη ο χρήστης θα κατανοήσει ότι απαιτείται ιδιαίτερη προσοχή και συγκέντρωση στην εργασία με το εργαλείο.

Ακόμη και όταν χειρίζεστε αυτό το εργαλείο σύμφωνα με τον προβλεπόμενο τρόπο, πάντα εξακολουθούν να υπάρχουν κάποιои κίνδυνοι.



Κίνδυνος ασφυξίας!

Κίνδυνος ασφυξίας για τα παιδιά όταν παίζουν με τα υλικά συσκευασίας. Κρατάτε τα υλικά συσκευασίας πάντα μακριά από παιδιά.

Παραχωρήστε ή δανείστε το εργαλείο μαζί με όλα τα εξαρτήματα, μόνο σε άτομα που έχουν ενημερωθεί ή γνωρίζουν το συγκεκριμένο μοντέλο και έχουν εξοικειωθεί απόλυτα με τη χρήση του. Οι οδηγίες χρήσης αποτελούν μέρος του εργαλείου και θα πρέπει να παραδίδονται πάντα μαζί μ' αυτό.

Χρησιμοποιείτε το εργαλείο μόνο όταν είστε ξεκούραστοι και βρίσκεστε σε άριστη φυσική και πνευματική κατάσταση. Εάν αντιμετωπίζετε περιορισμούς λόγω υγείας θα πρέπει να ρωτήσετε τον γιατρό σας εάν μπορείτε να εργαστείτε με το εργαλείο. Δεν επιτρέπεται να εργάζεστε με το εργαλείο μετά τη λήψη αλκοόλ, ναρκωτικών ουσιών ή φαρμάκων που μειώνουν την ικανότητα αντίδρασης.

Η χρήση του εργαλείου πρέπει πάντα να απαγορεύεται σε παιδιά, άτομα με περιορισμένες σωματικές, φυσικές και πνευματικές ικανότητες, σε άπειρα άτομα και άτομα με ανεπαρκείς γνώσεις, καθώς και σε άτομα που δεν γνωρίζουν τις οδηγίες.

Μην επιτρέπεται ποτέ σε παιδιά ή έφηβους κάτω από 16 ετών να χρησιμοποιούν το εργαλείο. Ενδέχεται οι τοπικοί κανονισμοί να ορίζουν το ελάχιστο όριο ηλικίας για τους χειριστές του εργαλείου.

Το εργαλείο είναι σχεδιασμένο για ιδιωτική χρήση.

Προσοχή – Κίνδυνος ατυχήματος!

Το χλοοκοπτικό προορίζεται μόνο για την κοπή του χόρτου. Δεν επιτρέπεται άλλη χρήση του εργαλείου, η οποία μπορεί να αποβεί επικίνδυνη ή να οδηγήσει σε φθορές του εργαλείου.

Λόγω του αυξημένου κινδύνου πρόκλησης σωματικών βλαβών στο χειριστή, το χλοοκοπτικό μηχάνημα δεν επιτρέπεται να χρησιμοποιηθεί για τις παρακάτω εργασίες (αποσπασματική αναφορά):

- για την κοπή θάμνων και θαμνοφρακτών,
- για την κοπή χόρτου κοντά σε κράσπεδα,
- για τη φροντίδα του χλοοτάπητα επάνω σε στέγες και σε ζαρντιέρες,
- για τον τεμαχισμό κλαδιών δέντρων και θαμνοφρακτών.
- για τον καθαρισμό πεζοδρομίων (αναρρόφηση, λειτουργία φυσητήρα).
- για το στρώσιμο των ανωμαλιών του εδάφους, π.χ. σε φωλιές τυφλοπόντικα.
- για τη μεταφορά του υλικού κοπής εκτός φυσικά από τον προβλεπόμενο για αυτή τη χρήση χορτοσυλλέκτη.

Για λόγους ασφαλείας απαγορεύεται οποιαδήποτε μετατροπή στο εργαλείο, εκτός από την τοποθέτηση του πρόσθετου εξοπλισμού που έχει εγκριθεί από την STIHL. Κάτι τέτοιο εξάλλου οδηγεί σε ακύρωση της εγγύησης. Πληροφορίες για

τον εγκεκριμένο πρόσθετο εξοπλισμό μπορείτε να λάβετε από τον εμπορικό αντιπρόσωπο της STIHL.

Ειδικότερα απαγορεύεται οποιαδήποτε επέμβαση στο εργαλείο, η οποία επηρεάζει την ισχύ ή τις στροφές του κινητήρα εσωτερικής καύσης ή του ηλεκτροκινητήρα.

Με το εργαλείο δεν επιτρέπεται να μεταφερθούν αντικείμενα, ζώα ή άτομα, ειδικότερα παιδιά.

Στη χρήση σε δημόσιους χώρους, σε πάρκα, σε χώρους άθλησης, σε δρόμους, σε αγροτικές και γεωργικές επιχειρήσεις απαιτείται ιδιαίτερη προσοχή.



Προσοχή! Κίνδυνος για την υγεία λόγω κραδασμών! Η υπερβολική καταπόνηση από κραδασμούς μπορεί να

προκαλέσει διαταραχές στο κυκλοφορικό ή νευρικό σύστημα, ειδικά στα άτομα με προβλήματα στο κυκλοφορικό σύστημα. Απευθυνθείτε σε έναν γιατρό, εάν παρουσιαστούν ορισμένα συμπτώματα από τους κραδασμούς. Τέτοια συμπτώματα, που εμφανίζονται κυρίως στα δάκτυλα, τα χέρια και τους καρπούς των χεριών, είναι για παράδειγμα (αποσπασματική αναφορά):

- αναισθησία,
- πόνοι,
- μυϊκή ατονία,
- αποχρώσεις στην επιδερμίδα,
- μούδιασμα.

Κατά τη διάρκεια της λειτουργίας, κρατήστε το τιμόνι σταθερά, αλλά όχι πολύ σφιχτά, και με τα δύο χέρια από τα προβλεπόμενα σημεία.

Προγραμματίστε τους χρόνους εργασίας με τέτοιο τρόπο ώστε να αποφεύγετε μεγάλες καταπονήσεις για μεγάλα χρονικά διαστήματα.

4.2 Ανεφοδιασμός - χειρισμός καυσίμων



Κίνδυνος θάνατος!

Η βενζίνη είναι ένα τοξικό και εξαιρετικά εύφλεκτο υλικό.

Φυλάσσετε τη βενζίνη πάντοτε μέσα σε ελεγμένα δοχεία (κάνιστρα) που προβλέπονται για το σκοπό αυτό. Οι τάπες των δοχείων καυσίμου θα πρέπει να βιδώνονται και να σφίγγονται γερά με τον ενδεικνυόμενο τρόπο. Για λόγους ασφαλείας θα πρέπει να αντικατασταθούν οι τάπες εάν έχουν υποστεί ζημία.

Μη χρησιμοποιείτε ποτέ φιάλες ποτών ή άλλα παρόμοια δοχεία για την απόρριψη ή τη φύλαξη των καυσίμων. Υπάρχει κίνδυνος να μπερδευτεί κάποιος και να πει μέσα από αυτά, ιδιαίτερα τα παιδιά.



Κρατήστε τη βενζίνη μακριά από σπίθες, ανοικτή φλόγα, φλόγες διαρροής, πηγές θερμότητας και άλλες πηγές ανάφλεξης. Μην καπνίζετε!

Γεμίστε με καύσιμα το ρεζερβουάρ μόνο όταν βρίσκεστε σε εξωτερικό χώρο και μην καπνίζετε κατά τη διαδικασία ανεφοδιασμού του καυσίμου.

Πριν από τον ανεφοδιασμό καυσίμου σβήστε τον κινητήρα εσωτερικής καύσης και αφήστε τον να κρυώσει.

Η πλήρωση του καυσίμου θα πρέπει να γίνεται πριν τη θέση του κινητήρα εσωτερικής καύσης σε λειτουργία. Όσο ο κινητήρας εσωτερικής καύσης βρίσκεται σε λειτουργία ή όσο το εργαλείο είναι

ακόμα θερμό δεν επιτρέπεται να ανοιχθεί η τάπα του ρεζερβουάρ ή να πληρωθεί αυτό με βενζίνη.

Μην γεμίζετε υπερβολικά το ρεζερβουάρ καυσίμου!

Για να εξασφαλίσετε τον απαιτούμενο χώρο για τη διαστολή του καυσίμου, μη γεμίζετε το ρεζερβουάρ καυσίμου επάνω από την κάτω ακμή του στομίου πλήρωσης. Επιπρόσθετα, ακολουθήστε τις υποδείξεις που αναφέρονται στις οδηγίες χρήσης του κινητήρα εσωτερικής καύσης.

Σε περίπτωση που χυθεί βενζίνη, θέστε τον κινητήρα εσωτερικής καύσης σε λειτουργία, μόνον αφού πρώτα καθαρίσετε καλά όλες τις επιφάνειες που λερώθηκαν από τη βενζίνη. Αποφύγετε κάθε προσπάθεια ανάφλεξης μέχρι να εξατμιστούν οι αναθυμιάσεις του καυσίμου (σκουπίστε το χυμένο καύσιμο).

Τα καύσιμα που έχουν χυθεί θα πρέπει να σκουπίζονται αμέσως.

Εάν έχει πέσει βενζίνη στα ρούχα, θα πρέπει να τα αλλάξετε.

Μη φυλάσσετε ποτέ το εργαλείο μέσα σε ένα κτίριο εάν το ρεζερβουάρ περιέχει βενζίνη. Μπορεί να προκληθεί ανάφλεξη των αναθυμιάσεων της βενζίνης εάν αυτές έρθουν σε επαφή με ανοικτή φλόγα ή σπινθήρα.

Τυχόν άδειασμα του ρεζερβουάρ πρέπει να γίνεται σε υπαίθριο χώρο.



4.3 Ενδυμασία και εξοπλισμός



Κατά την εργασία θα πρέπει να φοράτε πάντοτε κλειστά ανθεκτικά υποδήματα με αντιολισθητική σόλα. Μην εργάζεστε ποτέ εάν δεν φοράτε υποδήματα ή π.χ. όταν φοράτε πέδιλα.



Κατά την εκτέλεση εργασιών συντήρησης και καθαρισμού καθώς και κατά τη μεταφορά του εργαλείου, φοράτε πάντα ανθεκτικά γάντια, ενώ τα μακριά μαλλιά πρέπει να δένονται και να καλύπτονται (με μαντίλι, καπέλο κ.λπ.).



Φοράτε πάντα κατάλληλα προστατευτικά γυαλιά όταν τροχίζετε το μαχαίρι κοπής.

Για τη χρήση του εργαλείου ο χειριστής πρέπει να φορά μακρύ παντελόνι και εφαρμοστά ρούχα.

Μην φοράτε ποτέ φαρδιά ρούχα, τα οποία μπορεί να πιαστούν στα κινητά μέρη του εργαλείου (μοχλοί χειρισμού). Επίσης, μην φοράτε κοσμήματα, γραβάτες και κασκόλ.



Κατά την εργασία δημιουργείται θόρυβος. Ο θόρυβος μπορεί να βλάψει την ακοή.

Να φοράτε μέσα προστασίας ακοής.

4.4 Μεταφορά του εργαλείου

Εργάζεστε μόνο με γάντια προκειμένου να αποφύγετε τους τραυματισμούς από τα αιχμηρά ή θερμά μέρη του εργαλείου.

Μη μεταφέρετε το εργαλείο με τον κινητήρα εσωτερικής καύσης σε λειτουργία. Πριν από τη μεταφορά σβήστε

τον κινητήρα εσωτερικής καύσης, αφήστε τα μαχαίρια να ακινητοποιηθούν και αποσυνδέστε το κάλυμμα του μπουζί.

Μεταφέρετε το εργαλείο μόνον με κρύο κινητήρα εσωτερικής καύσης και χωρίς καύσιμο.

Χρησιμοποιήστε κατάλληλα βοηθήματα φόρτωσης (ράμπες φόρτωσης, διατάξεις ανύψωσης).

Ασφαλίστε το εργαλείο και τα πρόσθετα εξαρτήματα που μεταφέρετε μαζί μ' αυτό (π.χ. χορτοσυλλέκτη) επάνω στην επιφάνεια φόρτωσης με υλικά στερέωσης κατάλληλων διαστάσεων (ιμάντες, σχοινιά κ.λπ.).

Κατά την ανύψωση και τη μεταφορά αποφύγετε την επαφή με το μαχαίρι κοπής.

Προσέξτε ιδιαίτερα τις υποδείξεις στο κεφάλαιο «Μεταφορά». Σ' αυτό περιγράφεται ο τρόπος ανύψωσης ή πρόσδεσης του εργαλείου. (⇒ 13.)

Τηρείτε τους τοπικούς κανονισμούς που ορίζονται από τη νομοθεσία για τη μεταφορά του εργαλείου και ειδικότερα αυτούς που αφορούν την ασφάλεια φορτίου και τη μεταφορά αντικειμένων επάνω σε επιφάνειες φόρτωσης.

4.5 Πριν την εργασία

Θα πρέπει να εξασφαλιστεί ότι μ' αυτό το εργαλείο θα εργαστούν μόνον άτομα που γνωρίζουν τις οδηγίες χρήσης.

Πριν από την έναρξη λειτουργίας του εργαλείου ελέγξτε τη στεγανότητα του συστήματος καυσίμου, και ειδικά των ορατών εξαρτημάτων όπως π. χ. ρεζερβουάρ, τάπα ρεζερβουάρ, συνδέσεις εύκαμπτων σωλήνων. Εάν υπάρχουν διαρροές ή ζημιές μην θέτετε τον κινητήρα

εσωτερικής καύσης σε λειτουργία –
Κίνδυνος πυρκαγιάς!

Αναθέστε την επισκευή του εργαλείου στον εμπορικό αντιπρόσωπο πριν το θέσετε σε λειτουργία.

Δώστε προσοχή στους τοπικούς κανονισμούς που αφορούν τους χρόνους λειτουργίας και χρήσης μηχανοκίνητων εργαλείων κήπου με κινητήρα εσωτερικής καύσης ή ηλεκτροκίνητηρα.

Ελέγξτε προσεκτικά την περιοχή όπου θα χρησιμοποιήσετε το εργαλείο και απομακρύνετε πέτρες, κλαδιά, σύρματα, κόκαλα και άλλα ξένα αντικείμενα που μπορεί να εκσφενδονιστούν από το εργαλείο. Τα εμπόδια (π.χ. κομμένοι κορμοί δέντρων, ρίζες) δεν γίνονται εύκολα αντιληπτά στο ψηλό χόρτο.

Για το λόγο αυτό, μαρκάρετε πριν από την εργασία με το εργαλείο όλα τα ξένα σώματα (εμπόδια) τα οποία είναι ενσωματωμένα στο χλοοτάπητα και δεν μπορούν να απομακρυνθούν.

Πριν από τη χρήση του εργαλείου θα πρέπει να αντικατασταθούν τα φθαρμένα ή ελαττωματικά εξαρτήματα. Οι δυσανάγνωστες ή οι φθαρμένες πινακίδες υποδείξεων και προειδοποιήσεων στο εργαλείο θα πρέπει να αντικαθίστανται άμεσα. Ο αντιπρόσωπος της STIHL διαθέτει εφεδρικές αυτοκόλλητες πινακίδες και όλα τα υπόλοιπα ανταλλακτικά.

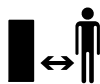
Πριν από τη χρήση του εργαλείου ελέγξτε τη σταθερή και ασφαλή θέση του καλύμματος του μπουζί επάνω στο μπουζί.

Το εργαλείο επιτρέπεται να χρησιμοποιείται μόνο όταν βρίσκεται σε κατάσταση ασφαλούς λειτουργίας. Πριν από κάθε έναρξη λειτουργίας βεβαιωθείτε ότι:

- το εργαλείο έχει συναρμολογηθεί σύμφωνα με τον προβλεπόμενο τρόπο.
- το κοπτικό εργαλείο και ολόκληρο το σύστημα κοπής (μαχαίρι κοπής, εξαρτήματα στερέωσης, περιβλημα συστήματος κοπής) βρίσκονται σε άριστη κατάσταση. Ειδικότερα, θα πρέπει να ελέγχετε τη σταθερή εφαρμογή καθώς και την ύπαρξη ζημιών (ρωγμές ή αυλακώσεις) και φθοράς.(⇒ 12.4)
- η τάπα του ρεζερβουάρ έχει βιδωθεί σωστά.
- το ρεζερβουάρ και τα εξαρτήματα τροφοδότησης καυσίμου καθώς και η τάπα του ρεζερβουάρ βρίσκονται σε άριστη κατάσταση,
- οι διατάξεις ασφαλείας (π. χ. μπάρα διακοπής του κινητήρα, στόμιο εξαγωγής, περιβλημα, τιμόνι, σχάρα προστασίας) βρίσκονται σε άριστη κατάσταση και λειτουργούν σωστά.
- ο χορτοσυλλέκτης δεν φέρει ζημιές και έχει συναρμολογηθεί κανονικά. Δεν επιτρέπεται να χρησιμοποιηθεί ένας ελαττωματικός χορτοσυλλέκτης.
- η τάπα λαδιού έχει βιδωθεί σωστά.

Εάν χρειαστεί, πραγματοποιήστε όλες τις απαιτούμενες εργασίες ή αναζητήστε έναν εμπορικό αντιπρόσωπο. Η STIHL προτείνει τον εμπορικό αντιπρόσωπο STIHL.

4.6 Κατά τις εργασίες



Μην εργάζεστε ποτέ όταν βρίσκονται στην επικίνδυνη περιοχή ζώα ή άλλα άτομα, και ειδικά παιδιά.

Δεν επιτρέπεται να αφαιρεθούν ή να παρακαμφθούν τα χειριστήρια και οι διατάξεις ασφαλείας που έχουν τοποθετηθεί στο εργαλείο. Ειδικότερα δεν πρέπει ποτέ να σταθεροποιείτε την μπάρα διακοπής του κινητήρα επάνω στην μπάρα του τιμονιού (π. χ. δένοντάς την).



Προσοχή – Κίνδυνος τραυματισμών!

Μην πλησιάζετε ποτέ τα χέρια και τα πόδια σας κοντά ή κάτω από τα περιστρεφόμενα μέρη. Μην έρχεστε ποτέ σε επαφή με το περιστρεφόμενο μαχαίρι. Κρατάτε πάντοτε απόσταση από το άνοιγμα εξαγωγής.

Θα πρέπει να διατηρείτε την οριζόμενη απόσταση ασφαλείας από το τιμόνι. Το τιμόνι θα πρέπει να είναι πάντα σωστά τοποθετημένο και δεν πρέπει να έχει τροποποιηθεί. Μην θέτετε ποτέ σε λειτουργία το εργαλείο όταν το τιμόνι είναι αναδιπλωμένο.

Μη στερεώνετε ποτέ αντικείμενα στο τιμόνι (π. χ. ρουχισμό εργασίας).

Εργάζεστε πάντοτε με το φως της ημέρας ή σε συνθήκες καλού τεχνητού φωτισμού.

Μην εργάζεστε με το εργαλείο σε βροχή, καταιγίδα και ειδικότερα όταν υπάρχει κίνδυνος κεραυνοπληξίας.

Σε υγρό έδαφος υπάρχει αυξημένος κίνδυνος τραυματισμών λόγω περιορισμένης σταθερότητας.

Θα πρέπει να εργάζεστε με ιδιαίτερη προσοχή για να μη γλιστρήσετε. Εάν είναι δυνατό, θα πρέπει να αποφεύγεται η χρήση του εργαλείου σε υγρό έδαφος.

Καυσαέρια:



Κίνδυνος δηλητηριάσεων!

Εάν νοιώθετε αδιαθεσία, έχετε πονοκέφαλο, πρόβλημα όρασης (π.χ. περιορισμένο οπτικό πεδίο), προβλήματα ακοής, ναυτία, μειωμένη συγκέντρωση, διακόψτε αμέσως την εργασία. Αυτά τα συμπτώματα μπορεί να οφείλονται μεταξύ άλλων από την υψηλή συγκέντρωση καυσαερίων.



Το εργαλείο παράγει επικίνδυνα καυσαέρια όταν ο κινητήρας εσωτερικής λειτουργίας τειθεί σε λειτουργία. Αυτά τα αέρια

περιέχουν μονοξείδιο του άνθρακα, ένα άοσμο και άχρωμο αέριο, καθώς και άλλες βλαβερές ουσίες. Ο κινητήρας εσωτερικής καύσης δεν πρέπει ποτέ να τίθεται σε λειτουργία σε κλειστούς χώρους ή σε χώρους που δεν αερίζονται καλά.

Εκκίνηση:

Θέτετε το εργαλείο σε λειτουργία πάντοτε με ιδιαίτερη προσοχή – ακολουθήστε τις υποδείξεις του κεφαλαίου «Θέση του εργαλείου σε λειτουργία» (⇒ 11.). Η εκκίνηση σύμφωνα με αυτές τις οδηγίες περιορίζει τον κίνδυνο τραυματισμών.

Κίνδυνος τραυματισμών!

Εάν το σχοινί μίζας τυλιχθεί πολύ γρήγορα, τότε το χέρι τραβιέται προς τον κινητήρα εσωτερικής καύσης με μεγαλύτερη ταχύτητα από ότι η ταχύτητα απελευθέρωσης του σχοινού μίζας. Από αυτήν την επαναφορά μπορεί να προκληθούν κατάγματα, μώλωπες και διαστρέμματα.

Κατά την εκκίνηση θα πρέπει να φροντίζετε πάντοτε για επαρκή απόσταση των ποδιών σας από το κοπτικό εργαλείο.

Δεν επιτρέπεται η ανατροπή του εργαλείου κατά την εκκίνηση.

Κατά την εκκίνηση δεν επιτρέπεται να πατηθεί η μπάρα μετάδοσης της κίνησης.

Μην θέτετε τον κινητήρα εσωτερικής καύσης σε λειτουργία εάν ο αγωγός εξαγωγής δεν είναι καλυμμένος από το στόμιο εξαγωγής ή το χορτοσυλλέκτη.

Εργασίες σε πλαγιές:

Εργάζεστε πάντα κάθετα προς τις πλαγιές και ποτέ κατά μήκος αυτών.

Εάν ο χειριστής χάσει τον έλεγχο όταν κόβει το χόρτο κατά μήκος της πλαγιάς, μπορεί να παρασυρθεί από το εργαλείο.

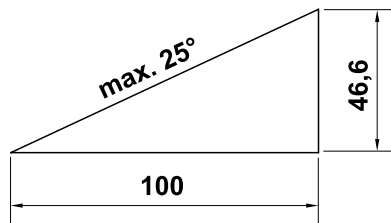
Να είστε ιδιαίτερα προσεκτικοί όταν αλλάζετε πορεία σε πλαγιές και εδάφη με κλίση.

Φροντίζετε πάντα για την καλή ευστάθεια σε πλαγιές και αποφεύγετε την εργασία με το εργαλείο σε απότομες πλαγιές.

Για λόγους ασφαλείας, το εργαλείο δεν πρέπει να χρησιμοποιείται σε πλαγιές με κλίση μεγαλύτερη από 25° (46,6 %).

Κίνδυνος τραυματισμών!

Η κλίση πλαγιάς κατά 25° αντιστοιχεί σε κάθετη υψομετρική διαφορά 46,6 cm σε οριζόντια επιφάνεια μήκους 100 cm.



Για να εξασφαλιστεί επαρκής λίπανση του κινητήρα εσωτερικής καύσης, θα πρέπει κατά τη χρήση του εργαλείου σε πλαγιές

να τηρούνται επιπλέον οι υποδείξεις που αναφέρονται στις συνοδευτικές οδηγίες χρήσης του κινητήρα εσωτερικής καύσης.

Εργασία:



Κίνδυνος τραυματισμών!

Μην πλησιάζετε ποτέ τα χέρια ή τα πόδια σας επάνω ή κάτω από περιστρεφόμενα μέρη και μην τα αγγίζετε.



Μην προσπαθείτε να επιθεωρήσετε το μαχαίρι ενώ το εργαλείο βρίσκεται σε λειτουργία. Μην ανοίγετε ποτέ το στόμιο εξαγωγής χόρτου ή/και μην αφαιρείτε το χορτοσυλλέκτη όσο το μαχαίρι κοπής βρίσκεται σε λειτουργία. Το περιστρεφόμενο μαχαίρι μπορεί να προκαλέσει τραυματισμούς.

Να οδηγείτε πάντα το εργαλείο με ταχύτητα βάδην, σε καμία περίπτωση δεν πρέπει να τρέχετε όταν εργάζεστε. Οδηγώντας γρήγορα το εργαλείο αυξάνεται ο κίνδυνος τραυματισμών π.χ. από γλίστρημα κλπ.

Να είστε ιδιαίτερα προσεκτικοί όταν κάνετε ελιγμούς με το εργαλείο ή όταν το τραβάτε προς το μέρος σας.

Υπάρχει μεγάλος κίνδυνος να σκοντάψετε!

Χρησιμοποιείτε το εργαλείο με ιδιαίτερη προσοχή, όταν εργάζεστε κοντά σε πλαγιές, στις άκρες του οικοπέδου, σε τάφρους και δεξαμενές. Ειδικότερα, θα πρέπει να τηρείτε επαρκή απόσταση από αυτά τα επικίνδυνα σημεία.

Τα αντικείμενα που ενδεχομένως είναι ενσωματωμένα στο χλοοτάπητα (συστήματα ποτίσματος, πάσσαλοι, βαλβίδες νερού, βάσεις θεμελίωσης,

ηλεκτρικά καλώδια κ.λπ.) πρέπει να παρακάμπτονται. Μην περνάτε ποτέ πάνω από τέτοια αντικείμενα.



Δώστε προσοχή στην περιστροφή του κοπτικού εργαλείου, θα χρειαστούν μερικά δευτερόλεπτα για την πλήρη ακινητοποίησή του.

Σβήστε τον κινητήρα εσωτερικής καύσης, αφήστε το εργαλείο να ακινητοποιηθεί και αποσυνδέστε το κάλυμμα του μπουζί,

- προτού απομακρυνθείτε από το εργαλείο ή όταν αυτό δεν επιτηρείται,
- πριν από κάθε ανεφοδιασμό με καύσιμο. Ανεφοδιάζετε με καύσιμο μόνο σε κρύο κινητήρα εσωτερικής καύσης.
Κίνδυνος πυρκαγιάς!
- προτού προβείτε στην απομάκρυνση αντικειμένων που έχουν φρακάρει στον αγωγό εξαγωγής,
- προτού ανασηκώσετε και μετακινήσετε το εργαλείο,
- προτού μεταφέρετε το εργαλείο,
- προτού εκτελέσετε εργασίες στο μαχαίρι κοπής,
- προτού ελέγξετε ή καθαρίσετε το εργαλείο ή προτού το καθαρίσετε ή προτού εκτελέσετε άλλες εργασίες σ' αυτό (π. χ. αναδίπλωση του τιμονιού).
- εάν έχετε χτυπήσει ένα ξένο σώμα ή εάν το χλοοκοπτικό μηχάνημα αρχίσει να δονείται ασυνήθιστα. Σε αυτές τις περιπτώσεις ελέγξτε το εργαλείο και ειδικότερα το σύστημα κοπής (μαχαίρι, άξονας μαχαίριου, στερέωση

μαχαίριου) για τυχόν ζημιές και πραγματοποιήστε τις απαιτούμενες επισκευές προτού θέσετε πάλι το εργαλείο σε λειτουργία και το χρησιμοποιήσετε.



Κίνδυνος τραυματισμών!

Οι έντονοι κραδασμοί συνήθως αποτελούν ένδειξη βλάβης. Το χλοοκοπτικό μηχάνημα δεν επιτρέπεται να τεθεί σε λειτουργία εάν ο στροφαλοφόρος άξονας του μαχαίριου έχει στραβώσει ή έχει υποστεί φθορές ή εάν το μαχαίρι κοπής έχει στραβώσει. Εάν δεν έχετε τις απαιτούμενες γνώσεις, θα πρέπει να απευθύνεστε πάντα σε έναν εμπορικό αντιπρόσωπο για τις απαιτούμενες επισκευές – η STIHL προτείνει τον εμπορικό αντιπρόσωπο STIHL.

Θέστε τον κινητήρα εσωτερικής καύσης εκτός λειτουργίας,

- όταν μετακινείτε το εργαλείο από και προς την επιφάνεια που θα επεξεργαστείτε,
- πριν μετακινήσετε το εργαλείο σε μία επιφάνεια που δεν έχει χόρτο,
- πριν ανοίξετε το στόμιο εξαγωγής ή αφαιρέσετε το χορτοσυλλέκτη,
- όταν πρέπει να γυρίσετε το εργαλείο για τη μεταφορά,
- πριν ρυθμίσετε το ύψος κοπής.

4.7 Συντήρηση και επισκευές

Πριν από την έναρξη των εργασιών καθαρισμού, ρύθμισης και συντήρησης:

- Τοποθετήστε το εργαλείο σε σταθερό, επίπεδο έδαφος,

- σβήστε τον κινητήρα εσωτερικής καύσης και αφήστε τον να κρυώσει,
- αφαιρέστε το κάλυμμα μπουζί.



Προσοχή – Κίνδυνος τραυματισμών!

Απομακρύνετε το κάλυμμα μπουζί από το μπουζί, καθώς ένας ακούσιος σπινθήρας ενδέχεται να οδηγήσει σε πυρκαγιά ή ηλεκτροπληξία.

Η ακούσια επαφή του μπουζί με το κάλυμμα μπουζί μπορεί να οδηγήσει σε αθέλητη εκκίνηση του κινητήρα εσωτερικής καύσης.



Κίνδυνος τραυματισμού από το μαχαίρι κοπής!

Τραβώντας το σχοινί μίζας το εργαλείο εκτελεί μία περιστροφική κίνηση. Φροντίστε πάντα για επαρκή απόσταση από το μαχαίρι κοπής, ιδιαίτερα από τα χέρια και τα πόδια, όταν τραβάτε το σχοινί μίζας.

Αφήστε το εργαλείο να κρυώσει, κυρίως πριν ξεκινήσετε τις εργασίες στον κινητήρα εσωτερικής καύσης, την πολλαπλή εξαγωγής και το σιγαστήρα εξάτμισης. Ενδέχεται να παρουσιαστούν θερμοκρασίες 80° C ή μεγαλύτερες.

Κίνδυνος εγκαυμάτων!

Η απευθείας επαφή με το λιπαντικό κινητήρα μπορεί να είναι επικίνδυνη. Εξάλλου δεν επιτρέπεται να χυθεί το λιπαντικό κινητήρα.

Η STIHL προτείνει να αναθέσετε την πλήρωση του λιπαντικού κινητήρα ή την αλλαγή λιπαντικού κινητήρα στον εμπορικό αντιπρόσωπο της STIHL.

Καθαρισμός:

Μετά τις εργασίες θα πρέπει ολόκληρο το εργαλείο να καθαριστεί σχολαστικά. (⇒ 12.3)

Πριν φέρετε το εργαλείο στη θέση καθαρισμού, αδειάστε το ρεζερβουάρ καυσίμου (π.χ. θέστε σε λειτουργία μέχρι να τελειώσει το καύσιμο).

Με μια ξύλινη βέργα, αφαιρέστε τα συσσωρευμένα υπολείμματα χόρτου. Καθαρίστε το κάτω μέρος του χλοοκοπτικού μηχανήματος με βούρτσα και νερό.

Μη χρησιμοποιείτε ποτέ μηχανήμα καθαρισμού υψηλής πίεσης και μην καθαρίζετε το εργαλείο κάτω από τρεχούμενο νερό (π. χ. με ένα λάστιχο ποτίσματος).

Μην χρησιμοποιείτε σκληρά καθαριστικά μέσα. Αυτά μπορούν να προκαλέσουν φθορές στα πλαστικά και τα μέταλλα, κάτι που περιορίζει την ασφαλή λειτουργία του εργαλείου STIHL.

Για να αποφύγετε τον κίνδυνο πυρκαγιάς, κρατήστε την περιοχή των εισαγωγών του αέρα ψύξης, τα πτερύγια ψύξης και την περιοχή της εξάτμισης καθαρή π. χ. από χόρτα, άχυρα, βρύα, φύλλα ή γράσο.

Εργασίες συντήρησης:

Επιτρέπεται να εκτελεστούν μόνον οι εργασίες συντήρησης που περιγράφονται στις οδηγίες χρήσης, όλες οι άλλες εργασίες θα πρέπει να ανατεθούν στον εμπορικό αντιπρόσωπο.

Εάν δεν έχετε τις απαιτούμενες γνώσεις και τα βοηθήματα, να απευθύνεστε **πάντα** σε έναν εμπορικό αντιπρόσωπο.

Η STIHL προτείνει, οι εργασίες συντήρησης και οι επισκευές να πραγματοποιούνται μόνο από έναν εμπορικό αντιπρόσωπο STIHL.

Οι εμπορικοί αντιπρόσωποι STIHL παρακολουθούν τακτικά εκπαιδευτικά σεμινάρια και έχουν στη διάθεσή τους τις απαραίτητες τεχνικές πληροφορίες.

Χρησιμοποιήστε μόνο εργαλεία, πρόσθετο εξοπλισμό και προσαρμοζόμενα μηχανήματα που έχουν εγκριθεί από την STIHL για αυτό το εργαλείο ή αλλά τεχνικά ίδια εξαρτήματα, διαφορετικά υπάρχει κίνδυνος να προκληθούν ατυχήματα με σωματικές βλάβες και ζημιές στο εργαλείο. Εάν έχετε απορίες θα πρέπει να απευθυνθείτε σε έναν εμπορικό αντιπρόσωπο.

Τα γνήσια εργαλεία, ο πρόσθετος εξοπλισμός και τα ανταλλακτικά STIHL είναι ειδικά σχεδιασμένα για το εργαλείο και έχουν προσαρμοστεί στις ανάγκες και τις απαιτήσεις του χρήστη. Τα γνήσια ανταλλακτικά STIHL θα τα αναγνωρίσετε από τον κωδικό ανταλλακτικού STIHL, την επιγραφή STIHL και ενδεχομένως από το αναγνωριστικό σήμα ανταλλακτικών STIHL. Στα μικρά εξαρτήματα ενδέχεται να υπάρχει μόνο το σήμα.

Για λόγους ασφαλείας, τα εξαρτήματα ροής καυσίμου (σωληνώσεις καυσίμου, βάνα καυσίμου, ρεζερβουάρ, τάπα ρεζερβουάρ, οι συνδέσεις κλπ.) θα πρέπει να ελέγχονται τακτικά από έναν εμπορικό αντιπρόσωπο για τυχόν φθορές ή διαρροές και να αντικαθιστώνται εάν κάτι τέτοιο κρίνεται αναγκαίο από έναν ειδικευμένο τεχνικό (η STIHL προτείνει τον εμπορικό αντιπρόσωπο STIHL).

Διατηρείτε τα αυτοκόλλητα υποδείξεων και προειδοποιήσεων πάντοτε καθαρά και ευανάγνωστα. Τα φθαρμένα ή χαμένα αυτοκόλλητα θα πρέπει να αντικαθιστώνται με νέα γνήσια αυτοκόλλητα από τον εμπορικό αντιπρόσωπο STIHL. Σε περίπτωση που ένα εξάρτημα αντικατασταθεί από ένα νέο ανταλλακτικό, φροντίστε να τοποθετήσετε σ' αυτό τα ίδια αυτοκόλλητα.

Οι εργασίες στο σύστημα κοπής θα πρέπει να γίνονται με ιδιαίτερη προσοχή και μόνο με τη χρήση χοντρών γαντιών εργασίας.

Διατηρείτε πάντοτε καλά σφιγμένα όλα τα παξιμάδια, τους πείρους και τις βίδες, και ειδικότερα τη βίδα μαχαιριού, ώστε το εργαλείο να βρίσκεται πάντα σε ασφαλή κατάσταση λειτουργίας.

Ελέγχετε τακτικά ολόκληρο το εργαλείο και το χορτοσυλλέκτη, ειδικότερα πριν από την αποθήκευση (π.χ. πριν από τη χειμερινή παύση εργασιών) για τυχόν φθορές και ζημιές. Για λόγους ασφαλείας θα πρέπει να αντικαταστήσετε αμέσως τα φθαρμένα τμήματα ή τα τμήματα που έχουν υποστεί ζημιά, ώστε το εργαλείο να βρίσκεται σε μία ασφαλή κατάσταση λειτουργίας.

Μην αλλάζετε ποτέ τις βασικές ρυθμίσεις του κινητήρα εσωτερικής καύσης και μην τον λειτουργείτε με υπερβολικές στροφές.

Τα κατασκευαστικά μέρη και τα προστατευτικά συστήματα που αφαιρούνται πριν από τις εργασίες συντήρησης πρέπει αμέσως μετά την ολοκλήρωση των εργασιών να επανατοποθετηθούν στη σωστή θέση τους.

4.8 Αποθήκευση σε μεγαλύτερα διαστήματα παύσης της λειτουργίας

Αφήστε τον κινητήρα εσωτερικής καύσης να κρυώσει πριν αποθηκεύσετε το εργαλείο σε έναν κλειστό χώρο.

Φυλάσσετε το εργαλείο με άδειο ρεζερβουάρ, και τα καύσιμα σε έναν ασφαλισμένο και καλά αεριζόμενο χώρο.

Βεβαιωθείτε ότι το εργαλείο προστατεύεται από μη εξουσιοδοτημένη χρήση (π.χ. από παιδιά).

Μη φυλάσσετε ποτέ το εργαλείο μέσα σε ένα κτίριο εάν το ρεζερβουάρ περιέχει βενζίνη. Μπορεί να προκληθεί ανάφλεξη των αναθυμιάσεων της βενζίνης εάν αυτές έρθουν σε επαφή με ανοικτή φλόγα ή σπινθήρα.

Σε περίπτωση που πρέπει να εκκενωθεί το ρεζερβουάρ καυσίμου, π.χ. για την ακινητοποίηση πριν από τη χειμερινή παύση, θα πρέπει η εκκένωση να γίνει σε έναν εξωτερικό χώρο (αδειάστε το ρεζερβουάρ π.χ. λειτουργώντας τον κινητήρα).

Καθαρίστε σχολαστικά το εργαλείο πριν από την αποθήκευση (π.χ. χειμερινή παύση).

Αποθηκεύετε το εργαλείο μόνο με αποσυνδεδεμένο κάλυμμα μπουζί.

Το εργαλείο θα πρέπει να φυλάσσεται μόνον σε ασφαλή για τη λειτουργία του κατάσταση.

Αφήστε το εργαλείο να κρυώσει τελείως, πριν το σκεπάσετε.

4.9 Απόρριψη

Τα προϊόντα απόρριψης όπως παλιά λάδια ή καύσιμα, χρησιμοποιημένα λιπαντικά, φίλτρα, μπαταρίες και άλλα παρόμοια αναλώσιμα υλικά μπορεί να βλάψουν τον άνθρωπο, τα ζώα και το περιβάλλον και γι' αυτόν το λόγο θα πρέπει να απορρίπτονται με τον προβλεπόμενο τρόπο.

Απευθυνθείτε σε ένα κέντρο ανακύκλωσης ή στον εμπορικό αντιπρόσωπο για να μάθετε πώς γίνεται η σωστή απόρριψη αυτών των προϊόντων. Η STIHL προτείνει τον εμπορικό αντιπρόσωπο STIHL.

Βεβαιωθείτε ότι θα παραδώσετε το αχρηστευμένο εργαλείο για απόρριψη σε ένα σημείο συλλογής απορριμμάτων. Αχρηστέψτε το εργαλείο πριν την απόρριψη. Για να αποτρέψετε τα ατυχήματα, αφαιρέστε το καλώδιο του μπουζί, αδειάστε το ρεζερβουάρ καυσίμου και αφαιρέστε το λιπαντικό κινητήρα.

Κίνδυνος τραυματισμού από το μαχαίρι κοπής!

Μην αφήνετε χωρίς επιτήρηση το χλοοκοπτικό, ακόμη και όταν είναι αχρηστευμένο. Βεβαιωθείτε ότι το εργαλείο και ιδιαίτερα το μαχαίρι κοπής φυλάσσονται μακριά από παιδιά.

5. Περιγραφή συμβόλων



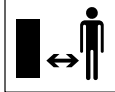
Προσοχή!

Πριν από την πρώτη θέση σε λειτουργία διαβάστε προσεκτικά τις οδηγίες χρήσης.



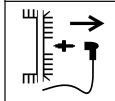
Κίνδυνος τραυματισμών!

Κρατήστε τα άτομα μακριά από την επικίνδυνη περιοχή.



Κίνδυνος τραυματισμών!

Αποσυνδέστε το κάλυμμα του μπουζί πριν από την εκτέλεση εργασιών στο κοπτικό εργαλείο και την εκτέλεση εργασιών συντήρησης και καθαρισμού.



Κίνδυνος τραυματισμών!

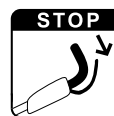
Κρατάτε τα χέρια και τα πόδια σας μακριά από τα μαχαίρια!

Το σύστημα κοπής συνεχίζει να περιστρέφεται μερικά δευτερόλεπτα μετά την απενεργοποίηση (φρένο του κινητήρα εσωτερικής καύσης/φρένο μαχαιριού).



RM 443, RM 443 T, RM 448 PT, RM 448 T, RM 448 TX:

Θέση του κινητήρα εσωτερικής καύσης σε λειτουργία



RM 443, RM 443 T, RM 448 PT, RM 448 T, RM 448 TX:

Θέση του κινητήρα εσωτερικής καύσης εκτός λειτουργίας



RM 443 T, RM 448 PT, RM 448 T, RM 448 TX:

Ενεργοποίηση μετάδοσης κίνησης



RM 448 PC, RM 448 TC, RM 448 VC:

Θέση του κινητήρα εσωτερικής καύσης σε λειτουργία



RM 448 PC, RM 448 TC, RM 448 VC:

Θέση του κινητήρα εσωτερικής καύσης εκτός λειτουργίας



RM 448 PC, RM 448 TC, RM 448 VC:

Ενεργοποίηση μετάδοσης κίνησης



RM 448 VC:
Ρυθμίστε την ταχύτητα.
(⇒ 11.3)



6. Περιεχόμενα συσκευασίας



Αρ.	Περιγραφή	Τεμ.
A	Βασικό εργαλείο	1
B	Επάνω μέρος χορτοσυλλέκτη	1
C	Κάτω μέρος χορτοσυλλέκτη	1
D	Πείρος	2
-	Οδηγίες χρήσης	1
-	Οδηγίες χρήσης Κινητήρας εσωτερικής καύσης	1

**RM 443, RM 443 T, RM 448 PT,
RM 448 T, RM 448 TX:**

Αρ.	Περιγραφή	Τεμ.
E	Ταχυτανυστήρας	2
F	Βίδα	2
G	Οδηγός καλωδίου	2
H	Προστατευτικά καλύμματα	2

RM 448 PC, RM 448 TC, RM 448 VC:

Αρ.	Περιγραφή	Τεμ.
I	Κάλυκας	1
J	Βίδα	1
K	Ροδέλα	2
L	Παξιμάδι	1

7. Προετοιμασία του εργαλείου για χρήση

7.1 Γενικά



Κίνδυνος τραυματισμών

Προσέξτε ιδιαίτερα τις υποδείξεις ασφαλείας στο κεφάλαιο «Για τη δική σας ασφάλεια». (⇒ 4.)

- Για την εκτέλεση όλων των εργασιών που περιγράφονται τοποθετήστε το εργαλείο σε ένα οριζόντιο, επίπεδο και σταθερό υπόστρωμα.

7.2 Τοποθέτηση μονοκόμματου τιμονιού (RM 448 PC, RM 448 TC, RM 448 VC)



- **1** Περάστε τον κάλυκα (I) στην οπή του τιμονιού (1).
- **2** Περάστε τις δύο ροδέλες (K) στον κάλυκα του τιμονιού (1) με την κυρτή επιφάνεια να κοιτά προς τα μέσα.
- **3** Κρατήστε τον κάλυκα (I) και τις ροδέλες (K) και μαζί με το τιμόνι (1) περάστε τα στο σπήριγμα της κονσόλας τιμονιού (2).
- **4** Περάστε τη βίδα (J) από έξω προς τα μέσα στις οπές του τιμονιού (1) και στην κονσόλα τιμονιού (2).
- **5** Βιδώστε το παξιμάδι (L).

- **6** Σφίξτε τη βίδα (J). Ροπή σύσφιξης: **18 - 22 Nm**

Τοποθέτηση ντιζών:

- RM 448 PC, RM 448 TC: Περάστε τη ντιζα του διακόπτη ασφαλείας κινητήρα (3) και την ντιζα μετάδοσης κίνησης (4) στους οδηγούς ντιζών (6) της κονσόλας τιμονιού και του τιμονιού, με τον τρόπο που απεικονίζεται.

RM 448 VC:

Περάστε τη ντιζα του διακόπτη ασφαλείας κινητήρα (3), την ντιζα μετάδοσης κίνησης (4) και την ντιζα μετάδοσης κίνησης Vario (5) στους οδηγούς ντιζών (6) της κονσόλας τιμονιού και του τιμονιού, με τον τρόπο που απεικονίζεται.

7.3 Τοποθέτηση διαιρούμενου τιμονιού (RM 443, RM 443 T, RM 448 PT, RM 448 T, RM 448 TX)



- Περάστε τα προστατευτικά καλύμματα (H) στα δύο κάτω τμήματα τιμονιού (1).
- Περάστε τη βίδα (F) μέσα από την οπή του οδηγού καλωδίου (G).
- Κρατήστε το επάνω τμήμα του τιμονιού (2) στα κάτω τμήματα τιμονιού (1).
- Αριστερή πλευρά: Κρεμάστε τον οδηγό του καλωδίου (G) στην ντιζα του διακόπτη ασφαλείας κινητήρα (3).
- Δεξιά πλευρά (RM 443 T, RM 448 PT, RM 448 T, RM 448 TX): Κρεμάστε τον οδηγό του καλωδίου (G) στην ντιζα της μετάδοσης κίνησης (4).

- Στην απέναντι πλευρά περάστε τη βίδα (F) από έξω προς τα μέσα στις σπές.
- Βιδώστε τον ταχυτανυστήρα (E) στις βίδες (F) (θα πρέπει να προεξέχει μία περίπου στροφή σπειρώματος της βίδας) και διπλώστε τον προς τα επάνω.
- Ελέγξτε τη σωστή τοποθέτηση: Οι ταχυτανυστήρες (E) θα πρέπει να είναι τόσο σφιγμένοι ώστε να εφαρμόζουν σωστά στο τιμόνι και το επάνω τμήμα τιμονιού να είναι σταθερά συνδεδεμένο με το κάτω τμήμα του τιμονιού. Εάν το τιμόνι δεν είναι σφικτά συναρμολογημένο ή εάν οι ταχυτανυστήρες δεν εφαρμόζουν σωστά, τότε ανοίξτε τους ταχυτανυστήρες και περιστρέψτε τους μέχρι να εφαρμόσουν σφικτά.

7.4 Συναρμολόγηση χορτοσυλλέκτη



- Τοποθετήστε το επάνω μέρος χορτοσυλλέκτη (B) στο κάτω μέρος χορτοσυλλέκτη (C). Προσέξτε τη σωστή τοποθέτηση στους οδηγούς.
- Πιέστε τον πείρο (D) από την εσωτερική πλευρά και μέσα στις προβλεπόμενες σπές.
- Κουμπώστε το επάνω μέρος του χορτοσυλλέκτη (B) πιέζοντάς το με μικρή δύναμη στο κάτω μέρος του χορτοσυλλέκτη.
- Τοποθέτηση χορτοσυλλέκτη (⇒ 8.3).

7.5 Τοποθέτηση και αφαίρεση σχοινιού μίζας



Τοποθέτηση

- Αφαιρέστε το κάλυμμα μπουζί από τον κινητήρα εσωτερικής καύσης.
- Πιέστε προς το τιμόνι και κρατήστε πιεσμένη την μπάρα διακοπής του κινητήρα (1).
- Τραβήξτε αργά το σχοινί της μίζας (2).
- Αφήστε τη μπάρα διακοπής του κινητήρα (1) και περάστε το σχοινί μίζας (2) στον οδηγό της ντίζας (3).
- Τοποθετήστε το κάλυμμα του μπουζί.

Αφαίρεση

- Αφαιρέστε το κάλυμμα μπουζί από τον κινητήρα εσωτερικής καύσης.
- Ξεκρεμάστε το σχοινί της μίζας (2) από τον οδηγό της ντίζας (3).

7.6 Καύσιμο και λιπαντικό κινητήρα



⚠️ Αποφύγετε τις ζημιές στο εργαλείο!

Συμπληρώστε λιπαντικό κινητήρα πριν από την πρώτη θέση σε λειτουργία. Για την πλήρωση του λιπαντικού κινητήρα ή για τον ανεφοδιασμό καυσίμου χρησιμοποιείτε ένα κατάλληλο βοήθημα (π.χ. χοάνη).

Λιπαντικό κινητήρα:

Μπορείτε να πληροφορηθείτε τις ποσότητες πλήρωσης και τους κατάλληλους τύπους λιπαντικού κινητήρα από τις οδηγίες χρήσης του κινητήρα εσωτερικής καύσης.



Ελέγχετε τακτικά τη στάθμη πλήρωσης του λιπαντικού (βλέπε οδηγίες χρήσης κινητήρα εσωτερικής καύσης).

Αποφεύγετε την ελλιπή και υπερβολική πλήρωση λιπαντικού πέραν της ενδεικνυόμενης στάθμης. Βιδώστε και σφίξτε σωστά την τάπα του κάρτερ πριν θέσετε σε λειτουργία τον κινητήρα εσωτερικής καύσης.

Καύσιμο:

Πρόταση: καλής ποιότητας, επώνυμα καύσιμα, αμόλυβδη βενζίνη.

Για πληροφορίες σχετικά με την ποιότητα καυσίμου (αριθμός οκτανίων), ανατρέξτε στις οδηγίες χρήσης του κινητήρα εσωτερικής καύσης.



8. Χειριστήρια

8.1 Ρύθμιση μονοκόμματος τιμονιού (RM 448 PC, RM 448 TC, RM 448 VC)



Κίνδυνος σύνθλιψης!

Όταν πιέζετε τον μοχλό ασφάλισης, κρατάτε το επάνω τμήμα του τιμονιού στο ψηλότερο σημείο με το ένα χέρι.

Μην φέρνετε ποτέ τα δάκτυλά σας ανάμεσα στο τιμόνι και την κονσόλα (πάνω και κάτω από τον μοχλό ασφάλισης).

Διπλώστε το τιμόνι:

Θέση μεταφοράς (για τον καθαρισμό του εργαλείου, για τη μεταφορά και φύλαξη):

- Ξεκρεμάστε το σχοινί της μίζας από τον οδηγό της ντίζας. (⇒ 7.5)

- Κρατήστε το επάνω τμήμα του τιμονιού (2) στο ψηλότερο σημείο με το ένα χέρι και ανασηκώστε το ελαφρά (αποφόρτιση).
- Πιέστε το μοχλό ασφάλισης (1) προς τα κάτω και κρατήστε τον σ' αυτή τη θέση.
- Αναδιπλώστε προς τα εμπρός το τιμόνι (2).

Θέση εργασίας (για την ώθηση του εργαλείου):

- Διπλώστε το τιμόνι (2) προς τα πίσω και προσέξτε ώστε να κουμπώσει τελείως.
- Κρεμάστε το σχοινί της μίζας στον οδηγό της ντίζας. (⇒ 7.5)

Ρύθμιση ύψους:

Το ύψος του μονοκόμματου τιμονιού μπορεί να ρυθμιστεί σε 2 σκάλες:

- Κρατήστε το επάνω τμήμα του τιμονιού (2) στο ψηλότερο σημείο με το ένα χέρι και ανασηκώστε το ελαφρά (αποφόρτιση).
- Πιέστε το μοχλό ασφάλισης (1) προς τα κάτω και κρατήστε τον σ' αυτή τη θέση.
- Φέρτε το τιμόνι (2) στην επιθυμητή θέση.
- Απελευθερώστε το μοχλό ασφάλισης (1) και βεβαιωθείτε ότι το τιμόνι έχει κουμπώσει τελείως.

8.2 Αναδίπλωση διαιρούμενου τιμονιού (RM 443, RM 443 T, RM 448 PT, RM 448 T, RM 448 TX)



Κίνδυνος σύνθλιψης!

Το επάνω τμήμα του τιμονιού μπορεί να αναδιπλωθεί λύνοντας τους ταχυσυνδέσμους. Κρατάτε πάντα το επάνω τμήμα του τιμονιού (2) στο ψηλότερο σημείο με το ένα χέρι, ενώ ανοίγετε τους ταχυσυνδέσμους.

Θέση μεταφοράς (για τον καθαρισμό του εργαλείου, για τη μεταφορά και φύλαξη):

- Ξεκρεμάστε το σχοινί της μίζας από τον οδηγό της ντίζας. (⇒ 7.5)
- Ανοίξτε τον ταχυτανυστήρα (1) - διπλώστε τον προς τα κάτω - και διπλώστε το επάνω τμήμα του τιμονιού (2) προς τα μπροστά.

Θέση εργασίας (για την ώθηση του εργαλείου):

- Διπλώστε το επάνω τμήμα του τιμονιού (2) προς τα πίσω και κρατήστε το με το ένα χέρι.
- Κλείστε τον ταχυτανυστήρα (1) (διπλώνοντάς τον προς τα επάνω).
- Κρεμάστε το σχοινί της μίζας στον οδηγό της ντίζας. (⇒ 7.5)

8.3 Χορτοσυλλέκτης

Τοποθέτηση:

- Ανοίξτε και κρατήστε ανοικτό το στόμιο εξαγωγής (1).



- Περάστε το χορτοσυλλέκτη (2) με τη ρύγχη συγκράτησης στις υποδοχές (3) στην πίσω πλευρά του εργαλείου.
- Κλείστε το στόμιο εξαγωγής (1).

Αφαίρεση:

- Ανοίξτε και κρατήστε ανοικτό το στόμιο εξαγωγής (1).
- Ανασηκώστε το χορτοσυλλέκτη (2) και αφαιρέστε τον προς τα πίσω.
- Κλείστε το στόμιο εξαγωγής (1).

8.4 Κεντρική ρύθμιση ύψους κοπής



Μπορούν να ρυθμιστούν 6 διαφορετικά ύψη κοπής.

Σκάλα 1 = 25 mm

Σκάλα 6 = 75 mm

Ρύθμιση ύψους κοπής:

- Πιάστε τη χειρολαβή (1), τραβήξτε το μοχλό (2) προς τα επάνω και κρατήστε τον σ' αυτή τη θέση.
- Ρυθμίστε το επιθυμητό ύψος κοπής μετακινώντας το εργαλείο πάνω-κάτω. Το επιλεγμένο ύψος κοπής είναι ορατό στην ένδειξη ύψους κοπής (3) με τη βοήθεια του σημαδιού (4).
- Απελευθερώστε το μοχλό ασφάλισης (2) και αφήστε τον να κουμπώσει.

8.5 Ένδειξη στάθμης πλήρωσης



Ο χορτοσυλλέκτης διαθέτει μία ένδειξη πλήρωσης της στάθμης (1) στο επάνω τμήμα του.

Το ρεύμα αέρα, που δημιουργείται από την περιστροφή του μαχαιριού και το οποίο είναι υπεύθυνο για την πλήρωση του χορτοσυλλέκτη, ανεβάζει την ένδειξη στάθμης πλήρωσης (2):

Ο χορτοσυλλέκτης γεμίζει με υλικό κοπής.

Όταν ο χορτοσυλλέκτης γεμίζει με χόρτο μειώνεται η ροή αέρα και η ένδειξη της στάθμης πλήρωσης (3) πέφτει:

- Εκκένωση του χορτοσυλλέκτη (⇒ 11.4).

9. Συστήματα ασφαλείας

Το εργαλείο είναι εξοπλισμένο με διάφορες διατάξεις ασφαλείας για τον ασφαλή χειρισμό και την προστασία από ακατάλληλη χρήση.



Κίνδυνος τραυματισμών!

Εάν διαπιστώσετε κάποια βλάβη σε μία από τις διατάξεις ασφαλείας, δεν επιτρέπεται να θέσετε σε λειτουργία το εργαλείο. Στην περίπτωση αυτή, απευθυνθείτε σε εμπορικό αντιπρόσωπο. Η STIHL προτείνει τον εμπορικό αντιπρόσωπο STIHL.

9.1 Προστατευτικές διατάξεις

Το χλοοκοπτικό μηχανήμα είναι εξοπλισμένο με προστατευτικές διατάξεις που αποτρέπουν την ακούσια επαφή με το μαχαίρι κοπής και το υλικό κοπής. Σ' αυτές τις διατάξεις περιλαμβάνεται το περίβλημα, το στόμιο εξαγωγής, ο χορτοσυλλέκτης και το σωστά τοποθετημένο τιμόνι.

9.2 Μπάρα διακοπής του κινητήρα

Το χλοοκοπτικό μηχανήμα διαθέτει μία διάταξη διακοπής λειτουργίας του κινητήρα.

Με την απελευθέρωση της μπάρας διακοπής του κινητήρα κατά τη διάρκεια λειτουργίας, ο κινητήρας εσωτερικής καύσης τίθεται εκτός λειτουργίας. Ο κινητήρας εσωτερικής καύσης και το μαχαίρι κοπής ακινητοποιούνται μέσα σε 3 δευτερόλεπτα.



Κίνδυνος τραυματισμών!

Εάν ο χρόνος συνεχιζόμενης λειτουργίας του μαχαιριού είναι μεγαλύτερος, μην χρησιμοποιείτε άλλο το εργαλείο και παραδώστε το στον εμπορικό αντιπρόσωπο.

Μέτρηση του χρόνου συνεχιζόμενης λειτουργίας

Μετά την εκκίνηση του κινητήρα εσωτερικής καύσης το μαχαίρι κοπής περιστρέφεται και ακούγεται ένας ήχος περιστροφής. Ο χρόνος συνεχιζόμενης λειτουργίας είναι αντίστοιχος με τη διάρκεια του ήχου περιστροφής μετά την απενεργοποίηση του κινητήρα εσωτερικής καύσης και μπορεί να μετρηθεί με χρονόμετρο.

10. Υποδείξεις για την εργασία

Για καλοδιατηρημένο και πυκνό χλοοτάπητα πρέπει να τηρούνται τα εξής:

- κοπή χόρτου με μειωμένη ταχύτητα.
- συχνή κοπή και διατήρηση μικρού ύψους του χόρτου.

- εάν το χόρτο δεν κοπεί πολύ κοντό όταν το κλίμα είναι ιδιαίτερα θερμό και ξηρό, θα ξεραθεί και θα καταστραφεί από τον ήλιο.
- εργασία με καλά ακονισμένο μαχαίρι, για το λόγο αυτό τροχίζετε τακτικά τα μαχαίρια (εμπορικός αντιπρόσωπος).
- τακτική αλλαγή της φοράς κοπής.

10.1 Περιοχή εργασίας του χειριστή



- Κατά την εκκίνηση και κατά τη διάρκεια λειτουργίας κινητήρα εσωτερικής καύσης, ο χειριστής θα πρέπει να βρίσκεται πάντα εντός της περιοχής εργασίας πίσω από το τιμόνι για λόγους ασφαλείας. Θα πρέπει να διατηρείτε την οριζόμενη απόσταση ασφαλείας από το τιμόνι.
- Ο χειρισμός του χλοοκοπτικού μηχανήματος επιτρέπεται να γίνεται αποκλειστικά και μόνο από ένα άτομο. Τα άλλα άτομα θα πρέπει να παραμένουν μακριά από την επικίνδυνη περιοχή. (⇒ 4.)

11. Θέση του εργαλείου σε λειτουργία

11.1 Εκκίνηση κινητήρα εσωτερικής καύσης



i Μην θέτετε σε λειτουργία τον κινητήρα εσωτερικής καύσης στο ψηλό χόρτο. Αν παρατηρείτε δυσκολία στην εκκίνηση του κινητήρα, επιλέξτε υψηλότερη ρύθμιση ύψους κοπής. Μετά τη διαδικασία εκκίνησης ο κινητήρας εσωτερικής καύσης λειτουργεί πάντοτε με τις ιδανικές στροφές εργασίας χάρη στη ρύθμιση σταθερού γκαζιού.

- Πιέστε προς το τιμόνι και κρατήστε πιεσμένη την μπάρα διακοπής του κινητήρα (1).
- Τραβήξτε αργά προς τα έξω το σχοινί της μίζας (2) μέχρι την αντίσταση του συμπίεσής. Στη συνέχεια τραβήξτε γρήγορα και με δύναμη σε απόσταση ίση με το μήκος του χεριού σας. Φέρτε πάλι αργά το σχοινί της μίζας (2) στην αρχική θέση, έτσι ώστε να μπορεί να τυλιχθεί σωστά.
- Επαναλάβετε τη διαδικασία μέχρι ο κινητήρας εσωτερικής καύσης να πάρει μπροστά.

11.2 Θέση του κινητήρα εσωτερικής καύσης εκτός λειτουργίας



- Για να θέσετε εκτός λειτουργίας τον κινητήρα εσωτερικής καύσης απελευθερώστε την μπάρα διακοπής του κινητήρα (1). Το μαχαίρι κοπής και ο κινητήρας εσωτερικής καύσης ακινητοποιούνται μετά από λίγο.

11.3 Μετάδοση κίνησης (RM 443 T, RM 448 PC, RM 448 PT, RM 448 T, RM 448 TX, RM 448 TC, RM 448 VC)



Τα χλοοκοπτικά μηχανήματα RM 443 T, RM 448 PC, RM 448 PT, RM 448 T, RM 448 TX, RM 448 TC και RM 448 VC εξοπλίζονται μετάδοση κίνησης.

RM 443 T, RM 448 PC, RM 448 PT, RM 448 T, RM 448 TX, RM 448 TC:

Μία σχέση κίνησης μπροστά (κιβώτιο μίας σχέσης)

RM 448 VC:

Συνεχώς μεταβαλλόμενη σχέση κίνησης μπροστά (κιβώτιο Vario) κατά την πορεία

Ενεργοποίηση μετάδοσης κίνησης:

- Θέστε τον κινητήρα εσωτερικής καύσης σε λειτουργία. (⇒ 11.1)
- Τραβήξτε προς το τιμόνι και κρατήστε την μπάρα μετάδοσης κίνησης (1). Η μετάδοση κίνησης ενεργοποιείται και το χλοοκοπτικό αρχίζει να κινείται προς τα εμπρός.



Αποφύγετε τις ζημιές στο εργαλείο!



Πιέζετε πάντα την μπάρα μετάδοσης κίνησης τελείως (μέχρι τέρμα) ώστε να αποφευχθούν οι ζημιές στο κιβώτιο μετάδοσης.

Ρύθμιση ταχύτητας κίνησης (RM 448 VC):



Αποφύγετε τις ζημιές στο εργαλείο!

Μετακινήστε το μοχλό μετάδοσης κίνησης Vario (2) μόνον όταν ο κινητήρας εσωτερικής καύσης βρίσκεται σε λειτουργία.

- Αύξηση ταχύτητας: Πιέστε τον μοχλό μετάδοσης κίνησης Vario (2) προς τα μπροστά κατά τη διάρκεια πορείας. 
- Μείωση ταχύτητας: Τραβήξτε τον μοχλό μετάδοσης κίνησης Vario (2) προς τα πίσω κατά τη διάρκεια πορείας. 

Απενεργοποίηση μετάδοσης κίνησης:

- Αφήστε την μπάρα μετάδοσης κίνησης (1). Η μετάδοση κίνησης απενεργοποιείται και το χλοοκοπτικό ακινητοποιείται. Ο κινητήρας εσωτερικής καύσης συνεχίζει να λειτουργεί.

11.4 Εκκένωση του χορτοσυλλέκτη



Κίνδυνος τραυματισμών!

Πριν την αφαίρεση του χορτοσυλλέκτη θα πρέπει για λόγους ασφαλείας να θέσετε εκτός λειτουργίας τον κινητήρα εσωτερικής καύσης.

- Αφαιρέστε τον χορτοσυλλέκτη. (⇒ 8.3)
- Ανοίξτε τον χορτοσυλλέκτη από την ασφάλεια (1). Αναδιπλώστε και κρατήστε το επάνω μέρος χορτοσυλλέκτη (2). Αναδιπλώστε προς τα πίσω τον χορτοσυλλέκτη και αδειάστε το υλικό κοπής.
- Κλείστε τον χορτοσυλλέκτη.
- Τοποθετήστε τον χορτοσυλλέκτη. (⇒ 8.3)

12. Συντήρηση

12.1 Γενικά



Κίνδυνος τραυματισμών!

Προσέξτε ιδιαίτερα τις υποδείξεις ασφαλείας στο κεφάλαιο "Για τη δική σας ασφάλεια" (⇒ 4.).

Ετήσια συντήρηση από τον εμπορικό αντιπρόσωπο:

Το χλοοκοπτικό μηχάνημα θα πρέπει να ελέγχεται μία φορά ετησίως από τον εμπορικό αντιπρόσωπο. Η STIHL προτείνει τον εμπορικό αντιπρόσωπο STIHL.

12.2 Κινητήρας εσωτερικής καύσης

Χρονικό διάστημα συντήρησης:

Ανατρέξτε στις οδηγίες χρήσης του κινητήρα εσωτερικής καύσης.

Γενικές υποδείξεις:

Δώστε προσοχή στις υποδείξεις λειτουργίας και συντήρησης που αναφέρονται στις συνημμένες οδηγίες χρήσης του κινητήρα εσωτερικής καύσης.

Ιδιαίτερη σημασία για μία μεγάλη διάρκεια ζωής έχει η σωστή στάθμη λιπαντικού, καθώς και η τακτική αντικατάσταση λαδιών και φίλτρου αέρα.

Τα προτεινόμενα χρονικά διαστήματα αλλαγής λαδιών και οι πληροφορίες σχετικά με το λιπαντικό κινητήρα και την ποσότητα πλήρωσης λαδιού αναφέρονται στις οδηγίες χρήσης του κινητήρα εσωτερικής καύσης.

Τα πτερύγια ψύξης θα πρέπει να διατηρούνται πάντοτε καθαρά για να εξασφαλίζεται η επαρκής ψύξη του κινητήρα εσωτερικής καύσης.

12.3 Καθαρισμός εργαλείου

Χρονικό διάστημα συντήρησης: Έπειτα από κάθε χρήση

Με την προσεκτική μεταχείριση, το εργαλείο προστατεύεται από ζημιές και επιμηκύνεται η ωφέλιμη διάρκεια ζωής του.



Κίνδυνος τραυματισμών!

Σβήστε τον κινητήρα εσωτερικής καύσης, αποσυνδέστε το κάλυμμα του μπουζί και αφήστε το εργαλείο να κρυώσει.

Πριν φέρετε το εργαλείο στη θέση καθαρισμού, αδειάστε το ρεζερβουάρ καυσίμου (θέστε σε λειτουργία μέχρι να τελειώσει το καύσιμο).

Το εργαλείο βρίσκεται στην ασφαλή θέση καθαρισμού μόνο όταν το στόμιο εξαγωγής είναι ανοικτό.

- Επιλέξτε την υψηλότερη σκάλα κοπής. (⇒ 8.4)
- Αφαιρέστε το χορτοσυλλέκτη. (⇒ 8.3)

Θέση καθαρισμού RM 443, RM 443 T, RM 448 PT, RM 448 T, RM 448 TX:

- Κρατήστε το επάνω τμήμα τιμονιού (1) και ανοίξτε τον ταχυτανυστήρα διπλώνοντάς τον προς τα κάτω.
- Αφήστε προς τα πίσω το επάνω τμήμα του τιμονιού (1).
- Ανοίξτε και κρατήστε ανοικτό το στόμιο εξαγωγής (2).
- Ανασηκώστε από μπροστά το εργαλείο και φέρτε το στη θέση καθαρισμού με τον τρόπο που απεικονίζεται.

Θέση καθαρισμού RM 448 PC, RM 448 TC, RM 448 VC:

- Για να γυρίσετε το εργαλείο, σταθείτε δεξιά δίπλα του.
- Θέστε το επάνω τμήμα του τιμονιού στη χαμηλότερη θέση (μέχρι το τέρμα, ο μοχλός ασφάλισης δεν κουμπώνει σε αυτή τη θέση). (⇒ 8.2)
- Ανοίξτε το στόμιο εξαγωγής (2) με το δεξί σας χέρι και κρατήστε το.
- Με το αριστερό χέρι πιάστε την κονσόλα με τον τρόπο που απεικονίζεται και κρατήστε το στόμιο εξαγωγής. Με τον αντίχειρα πιέστε ταυτόχρονα τον μοχλό ασφάλισης (3) προς τα κάτω και κρατήστε τον σε αυτή τη θέση.
- Πιάστε το εργαλείο με το δεξί χέρι από την μπροστινή χειρολαβή και ανατρέψτε αργά προς τα πίσω, μέχρι το τιμόνι να στηρίζεται στο έδαφος με τον τρόπο που απεικονίζεται.
- Αφήστε το στόμιο εξαγωγής (2) και τον μοχλό ασφάλισης (3) και ελέγξτε την ασφαλή στήριξη του εργαλείου.

Υποδείξεις για τον καθαρισμό:

- Καθαρίστε τις ακαθαρσίες με λίγο νερό, με μία βούρτσα ή ένα πανί. Καθαρίστε και το μαχαίρι κοπής. Μη ρίχνετε ποτέ νερό στα μέρη του κινητήρα εσωτερικής καύσης, τις μονώσεις, τα σημεία έδρασης.
- Με μια ξύλινη βέργα, αφαιρέστε αρχικά τα συσσωρευμένα υπολείμματα χόρτου.
- Εάν χρειαστεί, χρησιμοποιήστε κάποιο ειδικό καθαριστικό (π. χ. ειδικό καθαριστικό STIHL).

12.4 Έλεγχος φθοράς των μαχαίριών



Χρονικό διάστημα συντήρησης: Πριν από κάθε χρήση



Κίνδυνος τραυματισμών!

Τα μαχαίρι φθείρεται με διαφορετικό τρόπο ανάλογα με τον τόπο και τον τρόπο χρήσης. Εάν χρησιμοποιείτε το εργαλείο σε αμμώδες έδαφος ή συχνά υπό συνθήκες ξηρασίας, το μαχαίρι καταπονείται περισσότερο και φθείρεται γρηγορότερα. Ένα φθαρμένο μαχαίρι μπορεί να σπάσει και να προκαλέσει σοβαρούς τραυματισμούς. Για το λόγο αυτό θα πρέπει να τηρούνται πάντα οι υποδείξεις για τη συντήρηση του μαχαίριού.

- Γυρίστε το χλοοκοπτικό μηχάνημα στη θέση καθαρισμού. (⇒ 12.3)
- Καθαρίστε το μαχαίρι κοπής (1).
- Τοποθετήστε τον χάρακα (1) στην μπροστινή ακμή του μαχαίριού και μετρήστε την τροχισμένη επιφάνεια **A**.

- Μετρήστε το πλάτος του μαχαίριού **B** με ένα παχύμετρο (2).
- Μετρήστε το πάχος του μαχαίριού **C** σε τουλάχιστον 5 σημεία με ένα παχύμετρο (2). Ειδικότερα, θα πρέπει να είναι εξασφαλισμένο το ελάχιστο πάχος και στην περιοχή των πτερυγίων του μαχαίριού.

Όρια φθοράς:

Τροχισμένη επιφάνεια **A**: < 15 mm

Πλάτος μαχαίριού **B**: > 39 mm

Πάχος μαχαίριού **C**: > 2 mm

Αντικαταστήστε το μαχαίρι,

- αν έχει υποστεί φθορές (ρωγμές ή αυλακώσεις),
- αν οι τιμές της μέτρησης σε ένα ή περισσότερα σημεία έχουν φτάσει ή ξεπεράσει τα επιτρεπόμενα όρια.

Εάν στο χλοοκοπτικό έχει τοποθετηθεί ως ειδικό εξάρτημα το μαχαίρι πολλαπλών χρήσεων, ισχύουν άλλα όρια φθοράς (βλέπε οδηγίες χρήσης του εξαρτήματος).

12.5 Αφαίρεση και τοποθέτηση μαχαίριού κοπής



Αποσυναρμολόγηση:

- Χρησιμοποιήστε ένα κατάλληλο ξύλο (1) για να κρατήσετε κόντρα το μαχαίρι κοπής (2).
- Ξεβιδώστε τη βίδα του μαχαίριού (3). Αφαιρέστε το μαχαίρι κοπής (2), τη βίδα μαχαίριού (3) και τη ροδέλα ασφάλισης (4).

Συναρμολόγηση:



Κίνδυνος τραυματισμών!

Το μαχαίρι κοπής (2) επιτρέπεται να τοποθετηθεί μόνο με τον τρόπο που απεικονίζεται. Οι γλώσσες (7) πρέπει να δείχνουν προς τα κάτω και τα κυρτά πτερύγια του μαχαίριού προς τα επάνω.

Τηρείτε ακριβώς την προβλεπόμενη ροπή σύσφιξης της βίδας μαχαίριού, αφού από αυτήν εξαρτάται η ασφαλής στερέωση του κοπτικού εργαλείου. Ασφαλίστε τη βίδα μαχαίριού (3) επιπλέον με **Loctite 243**.

Σε κάθε τοποθέτηση του μαχαίριού πρέπει πάντα να αντικαθιστάτε τη ροδέλα ασφάλισης (4), ενώ τη βίδα μαχαίριού (3) σε κάθε αντικατάσταση του μαχαίριού.

- Καθαρίστε την επιφάνεια στήριξης του μαχαίριού και του χιτωνίου του μαχαίριού.
- Τοποθετήστε το μαχαίρι κοπής (2) με τα κυρτά πτερύγια προς τα επάνω (προς το εργαλείο). Τα ρύγχη συγκράτησης (5) στο χιτώνιο του μαχαίριού θα πρέπει να τοποθετηθούν στις οπές (6) του μαχαίριού κοπής.
- Χρησιμοποιήστε ένα κατάλληλο ξύλο (1) για να κρατήσετε κόντρα το μαχαίρι κοπής (2).
- Βιδώστε τη βίδα μαχαίριού (3) με νέα ροδέλα ασφάλισης (4) και σφίξτε. Ροπή σύσφιξης: **60 - 65 Nm**

12.6 Τρόχισμα του μαχαίριού κοπής

Η STIHL προτείνει να αναθέσετε το τρόχισμα του μαχαίριού σε έναν εμπορικό αντιπρόσωπο. Η λειτουργία του εργαλείου

περιορίζεται εάν το μαχαίρι τροχιστεί λάθος (λανθασμένη γωνία τροχίσματος, σφάλμα ζυγοστάθμισης κλπ.).

Οδηγίες τροχίσματος:

- Αφαιρέστε το μαχαίρι κοπής (⇒ 12.5).
- Ψύχετε το μαχαίρι κατά το τρόχισμα, π. χ. με νερό. Δεν πρέπει να εμφανιστεί μια μπλε απόχρωση. Σε αυτή την περίπτωση μειώνεται σημαντικά η κοπτική ικανότητα του μαχαιριού.
- Τροχίστε ομοιόμορφα το μαχαίρι, προκειμένου να αποφύγετε τους κραδασμούς.
- Τηρείτε τη γωνία τροχίσματος των 30°.
- Μετά τη διαδικασία ακονίσματος αφαιρέστε με λεπτό γυαλόχαρτο τα γρέζια που έχουν σχηματιστεί στην ακμή κοπής.
- Τηρείτε τα όρια φθοράς. (⇒ 12.4)

12.7 Φύλαξη και ακινητοποίηση (χειμερινή παύση εργασιών)

Φυλάσσετε το εργαλείο σε ένα στεγνό, κλειστό και καθαρό από σκόνες χώρο. Βεβαιωθείτε ότι το εργαλείο βρίσκεται μακριά από τα παιδιά.

Αποκαταστήστε πιθανές βλάβες πριν την αποθήκευση. Το εργαλείο πρέπει να βρίσκεται πάντα σε κατάσταση ασφαλούς λειτουργίας.

Αδειάστε το ρεζερβουάρ καυσίμου και το καρμπυρατέρ πριν από τη φύλαξη (π.χ. θέτοντας το εργαλείο σε λειτουργία μέχρι να εξαντληθεί το καύσιμο).

Σε περίπτωση ακινητοποίησης του εργαλείου για μεγαλύτερο χρονικό διάστημα (χειμερινή παύση εργασιών), θα πρέπει επιπλέον να δοθεί προσοχή στα παρακάτω σημεία:

- Καθαρίστε σχολαστικά όλα τα εξωτερικά μέρη του εργαλείου.
- Εφαρμόστε επαρκές λιπαντικό ή γράσο σε όλα τα κινητά μέρη.
- Ξεβιδώστε το μπουζί (βλέπε οδηγίες λειτουργίας του κινητήρα εσωτερικής καύσης) και εισαγάγετε λιπαντικό κινητήρα περίπου 3 cm³ από την υποδοχή του μπουζί στον κινητήρα εσωτερικής καύσης. Περιστρέψτε τον κινητήρα εσωτερικής καύσης μερικές φορές χωρίς μπουζί (τραβώντας το σχοινί μίζας).



Κίνδυνος πυρκαγιάς!

Κρατήστε το κάλυμμα του μπουζί μακριά από την οπή του μπουζί, λόγω του κινδύνου ανάφλεξης.

- Βιδώστε πάλι το μπουζί (δείτε τις οδηγίες χρήσης του κινητήρα εσωτερικής καύσης).
- Αλλάξτε το λιπαντικό (δείτε οδηγίες χρήσης του κινητήρα εσωτερικής καύσης).
- Καλύψτε τον κινητήρα εσωτερικής καύσης και φυλάξτε το εργαλείο σε κανονική θέση.

13. Μεταφορά

13.1 Μεταφορά



Κίνδυνος τραυματισμών!

Πριν τη μεταφορά προσέξτε ιδιαίτερα τις υποδείξεις ασφαλείας στο κεφάλαιο «Για τη δική σας ασφάλεια». (⇒ 4.)

Κατά τη μεταφορά φοράτε πάντα τον κατάλληλο ρουχισμό ασφαλείας (υποδήματα ασφαλείας, κλειστά γάντια).

Πριν από την ανύψωση ή την μεταφορά αποσυνδέετε πάντοτε το κάλυμμα του μπουζί. Για λόγους ασφαλείας, η ΣΤΗΛΗ συστήνει να ανασηκώνετε ή να μεταφέρετε το εργαλείο με τη βοήθεια ενός δεύτερου ατόμου.

Πριν από την ανύψωση προσέξτε το βάρος που υποδεικνύεται στο κεφάλαιο «Τεχνικά στοιχεία».

Μεταφορά του εργαλείου

- Δύο άτομα: ανασηκώνετε το εργαλείο αποκλειστικά από την μπροστινή λαβή (1) και από το τιμόνι (3). Φροντίζετε πάντα για επαρκή απόσταση του χλοοκοπτικού από το σώμα, ειδικότερα από τα πόδια σας.
- Ένα άτομο: Ανασηκώστε ή μεταφέρετε το εργαλείο με το ένα χέρι στη μέση της πίσω λαβής (2) και με το άλλο χέρι στην λαβή μπροστά (1).

Πρόσδεση του εργαλείου

- Ασφαλίστε το εργαλείο με τα κατάλληλα μέσα στερέωσης επάνω στην επιφάνεια φόρτωσης.
- Στερεώστε τα συρματόσχοινα ή τους μάντες στα μαρκαρισμένα σημεία (4).

14. Προστασία περιβάλλοντος



Το κομμένο χόρτο δεν πρέπει να απορρίπτεται αλλά να διατίθεται για χώνευση.

Οι συσκευασίες, το εργαλείο και τα πρόσθετα εξαρτήματα κατασκευάζονται από ανακυκλώσιμα υλικά και θα πρέπει να απορρίπτονται ανάλογα.

Η φιλική προς το περιβάλλον απόρριψη και ο διαχωρισμός των απορριμμάτων βοηθάει στην επαναχρησιμοποίηση ανακυκλώσιμων υλικών. Για το λόγο αυτό, μετά την πάροδο της συνηθισμένης διάρκειας χρήσης, το εργαλείο θα πρέπει να παραδίδεται σε κάποιο κέντρο συλλογής υλικών. Για την απόρριψη προσέξτε ιδιαίτερα τις υποδείξεις στο κεφάλαιο "Απόρριψη" (⇒ 4.9).

Απευθυνθείτε σε ένα κέντρο ανακύκλωσης ή στον εμπορικό αντιπρόσωπο για να μάθετε πώς γίνεται η σωστή απόρριψη αυτών των προϊόντων.

15. Ελαχιστοποίηση φθορών και αποφυγή βλαβών

Σημαντικές υποδείξεις σχετικά με τη συντήρηση και τη φροντίδα της ομάδας προϊόντων

Βενζινοκίνητο χλοοκοπτικό (STIHL RM)

Η εταιρία STIHL δεν φέρει καμία ευθύνη για υλικές ζημιές και σωματικές βλάβες που θα προκληθούν από τη μη τήρηση των υποδείξεων που αναφέρονται στις οδηγίες χρήσης, και ειδικότερα αυτές που αφορούν την ασφάλεια, τον χειρισμό και τη συντήρηση, ή από τη χρήση μη εγκεκριμένων προσαρτημάτων ή ανταλλακτικών.

Παρακαλούμε τηρήστε οπωσδήποτε τις υποδείξεις που ακολουθούν, προκειμένου να αποτρέψετε τις βλάβες και την υπερβολική φθορά του εργαλείου STIHL:

1. Αναλώσιμα υλικά

Πολλά μέρη του εργαλείου STIHL, ακόμη και μετά από προβλεπόμενη χρήση, παρουσιάζουν φυσιολογική φθορά και θα πρέπει να αντικατασταθούν εγκαίρως, ανάλογα με τον τρόπο και τη διάρκεια χρήσης.

Εδώ συμπεριλαμβάνονται μεταξύ άλλων τα εξής:

- Μαχαίρι
- Χορτοσυλλέκτης
- Ιμάντας (RM 443 T, RM 448 PC, RM 448 PT, RM 448 T, RM 448 TC, RM 448 TX, RM 448 VC)

2. Τήρηση των υποδείξεων των οδηγιών χρήσης

Η χρήση, η συντήρηση και η αποθήκευση του εργαλείου STIHL θα πρέπει να πραγματοποιούνται προσεκτικά και με τον τρόπο που αναφέρεται σε αυτές τις οδηγίες χρήσης. Όλες οι βλάβες και οι ζημιές που προκλήθηκαν από τη μη τήρηση των υποδείξεων ασφαλείας, χειρισμού και συντήρησης, βαρύνουν αποκλειστικά και μόνο το χρήστη.

Αυτό ισχύει ειδικά για:

- μη εγκεκριμένες από τη STIHL μετατροπές του προϊόντος.
- χρήση μη εγκεκριμένων από τη STIHL μέσων λειτουργίας (λιπαντικό κινητήρα, βενζίνη και λιπαντικά κινητήρα, βλέπε στοιχεία του κατασκευαστή του κινητήρα εσωτερικής καύσης).
- χρήση εργαλείων ή εξαρτημάτων που είναι χαμηλής ποιότητας, ακατάλληλα ή μη εγκεκριμένα για το μηχάνημα.
- μη προβλεπόμενη χρήση του προϊόντος.
- χρήση του προϊόντος σε αθλητικές δραστηριότητες ή διαγωνισμούς.
- Έμμεσες ζημιές που προκαλούνται από συνεχιζόμενη χρήση του προϊόντος με ελαττωματικά εξαρτήματα.

3. Εργασίες συντήρησης

Όλες οι εργασίες που αναφέρονται στην παράγραφο «Συντήρηση» θα πρέπει να διεξάγονται σε τακτά χρονικά διαστήματα.

Σε περίπτωση που αυτές οι εργασίες δεν μπορούν να πραγματοποιηθούν από το χρήστη, θα πρέπει να δοθεί σχετική εντολή εργασιών σε έναν εμπορικό αντιπρόσωπο.

Η STIHL προτείνει, οι εργασίες συντήρησης και οι επισκευές να πραγματοποιούνται μόνο από έναν εμπορικό αντιπρόσωπο STIHL.

Οι εμπορικοί αντιπρόσωποι STIHL παρακολουθούν τακτικά εκπαιδευτικά σεμινάρια και έχουν στη διάθεσή τους τις απαραίτητες τεχνικές πληροφορίες.

Εάν δεν πραγματοποιηθούν αυτές οι εργασίες, μπορεί να προκληθούν ζημιές, για τις οποίες ευθύνεται αποκλειστικά και μόνο ο χρήστης.

Εδώ συμπεριλαμβάνονται μεταξύ άλλων:

- Διαβρώσεις και άλλες επακόλουθες ζημιές από τη μη προβλεπόμενη σωστή αποθήκευση και φύλαξη.
- Βλάβες στο εργαλείο από τη χρήση ανταλλακτικών χαμηλής ποιότητας.
- Ζημιές λόγω μη έγκαιρης ή ανεπαρκούς συντήρησης ή ζημιές από εργασίες συντήρησης και επισκευής που δεν πραγματοποιήθηκαν στα συνεργεία των εμπορικών αντιπροσώπων.

16. Συνηθισμένα ανταλλακτικά

Μαχαίρι κοπής RM 443, RM 443 T:

6338 702 0100

Μαχαίρι κοπής RM 448 PC, RM 448 PT, RM 448 T, RM 448 TC, RM 448 TX, RM 448 VC:

6358 702 0100

Βίδα μαχαριού:

9008 319 9028

Ροδέλα ασφάλισης:

0000 702 6600



Τα εξαρτήματα στερέωσης του μαχαριού κοπής (π. χ. βίδα μαχαριού) θα πρέπει να αλλαχθούν κατά την αντικατάσταση του μαχαριού ή τη συναρμολόγηση του μαχαριού. Τα ανταλλακτικά διατίθενται από τους εμπορικούς αντιπροσώπους της STIHL.

17. Πιστοποιητικό συμβατότητας ΕΕ

17.1 Βενζινοκίνητο χλοοκοπτικό (STIHL RM)

STIHL Tirol GmbH
Hans Peter Stihl-Straße 5
6336 Langkampfen
Αυστρία

πιστοποιεί με αποκλειστική ευθύνη ότι το εργαλείο

Χλοοκοπτικό μηχανήμα, χειροκίνητο με κινητήρα εσωτερικής καύσης (STIHL RM)

Εταιρεία κατασκευής:

Αριθμός αναγνώρισης σειράς:
Τύπος:

Αριθμός αναγνώρισης σειράς:
Τύπος:

STIHL

6338

RM 443.0
RM 443.0 T

6358

RM 448.0 PC
RM 448.0 PT
RM 448.0 T
RM 448.0 TC
RM 448.0 TX
RM 448.0 VC

εναρμονίζεται με τις παρακάτω Ευρωπαϊκές Οδηγίες:
2011/65/EU, 2000/14/EC, 2014/30/EU, 2006/42/EC

Το προϊόν έχει σχεδιαστεί και κατασκευαστεί σύμφωνα με τα ακόλουθα πρότυπα:
EN ISO 5395-1, EN ISO 5395-2, EN 14982

Για την εξέλιξη και την παραγωγή των προϊόντων εφαρμόζονται τα πρότυπα στις εκδόσεις που ισχύουν κατά την ημερομηνία παραγωγής.

Εφαρμοζόμενη διαδικασία αξιολόγησης συμβατότητας:
Παράρτημα VIII (2000/14/EC)

Όνομα και διεύθυνση της αρχής κοινοποίησης:

TÜV Rheinland LGA Products GmbH
Tillystraße 2
D-90431 Nürnberg

Σύνταξη και φύλαξη των τεχνικών εγγράφων:
Sven Zimmermann
STIHL Tirol GmbH

Το έτος κατασκευής και ο αριθμός εργαλείου αναγράφονται στην πινακίδα ισχύος του εργαλείου.

Μετρημένη στάθμη θορύβου:

RM 443.0	93,0 dB(A)
RM 443.0 T	93,0 dB(A)
RM 448.0 PC	95,3 dB(A)
RM 448.0 PT	95,3 dB(A)
RM 448.0 T	95,7 dB(A)
RM 448.0 TC	95,7 dB(A)
RM 448.0 TX	95,3 dB(A)
RM 448.0 VC	95,3 dB(A)

Εγγυημένη στάθμη θορύβου:

RM 443.0	94 dB(A)
RM 443.0 T	94 dB(A)
RM 448.0 PC	96 dB(A)
RM 448.0 PT	96 dB(A)
RM 448.0 T	96 dB(A)
RM 448.0 TC	96 dB(A)
RM 448.0 TX	96 dB(A)
RM 448.0 VC	96 dB(A)

Langkampfen,
2019-01-02 (EEEE-MM-HH)

STIHL Tirol GmbH

Κατ' εντολή



Sven Zimmermann

Διευθυντής τμήματος κατασκευής

18. Τεχνικά στοιχεία

**RM 443.0, RM 443.0 T, RM 448.0 PC,
RM 448.0 PT, RM 448.0 T, RM 448.0 TC,
RM 448.0 TX, RM 448.0 VC:**

Κινητήρας εσωτερικής καύσης, τύπος κατασκευής	Τετράχρονος κινητήρας εσωτερικής καύσης
Σύστημα εκκίνησης	Μίζα με σχοινί

Σύστημα κοπής
Κίνηση μπάρας
μαχαριού
Ροπή σύσφιξης
βίδας μαχαριού
Σύστημα ασφαλείας

Ø τροχού μπροστά
Ø τροχού πίσω
Χωρητικότητα
χορτοσυλλέκτη
Ύψος κοπής

RM 443.0, RM 443.0 T:

Αναγνώριση σειράς 6338
Πλάτος κοπής: 41 cm

RM 443.0:

Κινητήρας
εσωτερικής καύσης:
Κατασκευαστής,
τύπος
Κυβισμός
Ονομαστική ισχύς
στον ονομαστικό
αριθμό στροφών
Ρεζερβουάρ
καυσίμου
Στροφές μπάρας
μαχαριού
Μετάδοση στους
τροχούς
Μήκος
Πλάτος
Ύψος
Βάρος

Briggs &
Stratton, Series
550 EX OHV RS
140 ccm
2,1 - 2800
kW - στροφές/λε
πτό
0,8 l
2800 στροφές/λε
πτό
όχι
144 cm
49 cm
109 cm
23 kg

Εκπομπές θορύβου

Σύμφωνα με την Οδηγία 2000/14/EC:

Μπάρα
μαχαριού
μόνιμη
60 - 65 Nm
Διακόπτης
ασφαλείας
κινητήρα
180 mm
200 mm
55 l
25 - 75 mm

Εγγυημένη στάθμη
θορύβου L_{WAd} 94 dB(A)
Σύμφωνα με την Οδηγία 2006/42/EC:

Στάθμη ηχοπίεσης
στη θέση εργασίας
 L_{pA} 81 dB(A)
Αστάθεια K_{pA} 2 dB(A)

Κραδασμοί στο χέρι

Αναφερόμενη χαρακτηριστική τιμή
ταλαντώσεων κατά EN 12096:

Τιμή μέτρησης a_{hw} 4,10 m/sec²
Αστάθεια K_{hw} 2,05 m/sec²
Μέτρηση κατά EN 20643

RM 443.0 T:

Κινητήρας
εσωτερικής καύσης:
Κατασκευαστής,
τύπος
Κυβισμός
Ονομαστική ισχύς
στον ονομαστικό
αριθμό στροφών
Ρεζερβουάρ
καυσίμου
Στροφές μπάρας
μαχαριού
Μετάδοση στους
τροχούς

Briggs &
Stratton, Series
550 EX OHV RS
140 ccm
2,1 - 2800
kW - στροφές/λε
πτό
0,8 l
2800 στροφές/λε
πτό
1 σχέση κίνησης
προς τα εμπρός
με ομαλή
εκκίνηση

Μήκος 144 cm
Πλάτος 48 cm
Ύψος 109 cm
Βάρος 25 kg

Εκπομπές θορύβου

Σύμφωνα με την Οδηγία 2000/14/EC:
Εγγυημένη στάθμη
θορύβου L_{WAd} 94 dB(A)
Σύμφωνα με την Οδηγία 2006/42/EC:

Στάθμη ηχοπίεσης
στη θέση εργασίας

L_{pA} 81 dB(A)
Αστάθεια K_{pA} 2 dB(A)

Κραδασμοί στο χέρι

Αναφερόμενη χαρακτηριστική τιμή
ταλαντώσεων κατά EN 12096:

Τιμή μέτρησης a_{hw} 4,10 m/sec²
Αστάθεια K_{hw} 2,05 m/sec²

Μέτρηση κατά EN 20643

RM 448.0 PC, RM 448.0 PT, RM 448.0 T, RM 448.0 TC, RM 448.0 TX, RM 448.0 VC:

Αναγνώριση σειράς 6358
Πλάτος κοπής 46 cm

RM 448.0 PC:

Κινητήρας
εσωτερικής καύσης: Briggs &
Κατασκευαστής, Stratton, Series
τύπος 625
Κυβισμός 150 ccm
Ονομαστική ισχύς 2,2 - 2800
στον ονομαστικό kW - στροφές/λε
αριθμό στροφών πτό
Ρεζερβουάρ
καυσίμου 0,8 l
Στροφές μπάρας 2800 στροφές/λε
μαχαιριού πτό
Μετάδοση στους 1 σχέση κίνησης
τροχούς προς τα εμπρός
με ομαλή
εκκίνηση

Μήκος 147 cm
Πλάτος 50 cm
Ύψος 113 cm
Βάρος 27 kg

Εκπομπές θορύβου

Σύμφωνα με την Οδηγία 2000/14/EC:

Εγγυημένη στάθμη
θορύβου L_{WAAd} 96 dB(A)

Σύμφωνα με την Οδηγία 2006/42/EC:

Στάθμη ηχοπίεσης
στη θέση εργασίας
 L_{pA} 83 dB(A)
Αστάθεια K_{pA} 2 dB(A)

Κραδασμοί στο χέρι

Αναφερόμενη χαρακτηριστική τιμή
ταλαντώσεων κατά EN 12096:

Τιμή μέτρησης a_{hw} 3,00 m/sec²
Αστάθεια K_{hw} 1,50 m/sec²

Μέτρηση κατά EN 20643

RM 448.0 PT:

Κινητήρας
εσωτερικής καύσης: Briggs &
Κατασκευαστής, Stratton, Series
τύπος 625
Κυβισμός 150 ccm
Ονομαστική ισχύς 2,2 - 2800
στον ονομαστικό kW - στροφές/λε
αριθμό στροφών πτό
Ρεζερβουάρ
καυσίμου 0,8 l
Στροφές μπάρας 2800 στροφές/λε
μαχαιριού πτό
Μετάδοση στους 1 σχέση κίνησης
τροχούς προς τα εμπρός
με ομαλή
εκκίνηση

Μήκος 147 cm
Πλάτος 50 cm
Ύψος 111 cm
Βάρος 27 kg

Εκπομπές θορύβου

Σύμφωνα με την Οδηγία 2000/14/EC:

Εγγυημένη στάθμη
θορύβου L_{WAAd} 96 dB(A)

Σύμφωνα με την Οδηγία 2006/42/EC:

Στάθμη ηχοπίεσης
στη θέση εργασίας

L_{pA} 83 dB(A)
Αστάθεια K_{pA} 2 dB(A)

Κραδασμοί στο χέρι

Αναφερόμενη χαρακτηριστική τιμή
ταλαντώσεων κατά EN 12096:

Τιμή μέτρησης a_{hw} 3,90 m/sec²
Αστάθεια K_{hw} 1,95 m/sec²

Μέτρηση κατά EN 20643

RM 448.0 T:

Κινητήρας
εσωτερικής καύσης: Briggs &
Κατασκευαστής, Stratton, Series
τύπος 575
Κυβισμός 140 ccm
Ονομαστική ισχύς 2,1 - 2800
στον ονομαστικό kW - στροφές/λε
αριθμό στροφών πτό
Ρεζερβουάρ
καυσίμου 0,8 l
Στροφές μπάρας 2800 στροφές/λε
μαχαιριού πτό
Μετάδοση στους 1 σχέση κίνησης
τροχούς προς τα εμπρός
με ομαλή
εκκίνηση

Μήκος 147 cm
Πλάτος 50 cm
Ύψος 111 cm
Βάρος 26 kg

Εκπομπές θορύβου

Σύμφωνα με την Οδηγία 2000/14/EC:

Εγγυημένη στάθμη
θορύβου L_{WAAd} 96 dB(A)

Σύμφωνα με την Οδηγία 2006/42/EC:

Στάθμη ηχοπίεσης
στη θέση εργασίας
 L_{pA} 83 dB(A)

Αστάθεια K_{pA} 2 dB(A)

Κραδασμοί στο χέρι

Αναφερόμενη χαρακτηριστική τιμή
ταλαντώσεων κατά EN 12096:

Τιμή μέτρησης a_{hw} 3,90 m/sec²

Αστάθεια K_{hw} 1,95 m/sec²

Μέτρηση κατά EN 20643

RM 448.0 TC:

Κινητήρας
εσωτερικής καύσης: Briggs &
Κατασκευαστής, Stratton, Series
τύπος 575

Κυβισμός 140 ccm

Ονομαστική ισχύς 2,1 - 2800
στον ονομαστικό kW - στροφές/λε
αριθμό στροφών πττό

Ρεζερβουάρ
καυσίμου 0,8 l

Στροφές μπάρας 2800 στροφές/λε
μαχαιριού πττό

Μετάδοση στους 1 σχέση κίνησης
τροχούς προς τα εμπρός
με ομαλή εκκίνηση

Μήκος 147 cm

Πλάτος 50 cm

Ύψος 113 cm

Βάρος 27 kg

Εκπομπές θορύβου

Σύμφωνα με την Οδηγία 2000/14/EC:

Εγγυημένη στάθμη
θορύβου L_{WAd} 96 dB(A)

Σύμφωνα με την Οδηγία 2006/42/EC:

Στάθμη ηχοπίεσης
στη θέση εργασίας

L_{pA} 83 dB(A)

Αστάθεια K_{pA} 2 dB(A)

Κραδασμοί στο χέρι

Αναφερόμενη χαρακτηριστική τιμή
ταλαντώσεων κατά EN 12096:

Τιμή μέτρησης a_{hw} 3,50 m/sec²

Αστάθεια K_{hw} 1,75 m/sec²

Μέτρηση κατά EN 20643

RM 448.0 TX:

Κινητήρας
εσωτερικής καύσης: Briggs &
Κατασκευαστής, Stratton, Series
τύπος 550 EX OHV RS

Κυβισμός 140 ccm

Ονομαστική ισχύς 2,1 - 2800
στον ονομαστικό kW - στροφές/λε
αριθμό στροφών πττό

Ρεζερβουάρ
καυσίμου 0,8 l

Στροφές μπάρας 2800 στροφές/λε
μαχαιριού πττό

Μετάδοση στους 1 σχέση κίνησης
τροχούς προς τα εμπρός
με ομαλή εκκίνηση

Μήκος 147 cm

Πλάτος 50 cm

Ύψος 111 cm

Βάρος 26 kg

Εκπομπές θορύβου

Σύμφωνα με την Οδηγία 2000/14/EC:

Εγγυημένη στάθμη
θορύβου L_{WAd} 96 dB(A)

Σύμφωνα με την Οδηγία 2006/42/EC:

Στάθμη ηχοπίεσης
στη θέση εργασίας

L_{pA} 83 dB(A)

Αστάθεια K_{pA} 2 dB(A)

Κραδασμοί στο χέρι

Αναφερόμενη χαρακτηριστική τιμή
ταλαντώσεων κατά EN 12096:

Τιμή μέτρησης a_{hw} 4,10 m/sec²

Αστάθεια K_{hw} 2,05 m/sec²

Μέτρηση κατά EN 20643

RM 448.0 VC:

Κινητήρας
εσωτερικής καύσης: Briggs &
Κατασκευαστής, Stratton, Series
τύπος 625

Κυβισμός 150 ccm

Ονομαστική ισχύς 2,2 - 2800
στον ονομαστικό kW - στροφές/λε
αριθμό στροφών πττό

Ρεζερβουάρ
καυσίμου 0,8 l

Στροφές μπάρας 2800 στροφές/λε
μαχαιριού πττό

Μετάδοση στους Μετάδοση
τροχούς κίνησης Vario

Μήκος 147 cm

Πλάτος 50 cm

Ύψος 113 cm

Βάρος 28 kg

Εκπομπές θορύβου

Σύμφωνα με την Οδηγία 2000/14/EC:

Εγγυημένη στάθμη
θορύβου L_{WAd} 96 dB(A)

Σύμφωνα με την Οδηγία 2006/42/EC:

Στάθμη ηχοπίεσης
στη θέση εργασίας

L_{pA} 83 dB(A)

Αστάθεια K_{pA} 2 dB(A)

Κραδασμοί στο χέρι

Αναφερόμενη χαρακτηριστική τιμή
ταλαντώσεων κατά EN 12096:

Τιμή μέτρησης a_{hw} 3,00 m/sec²

Αστάθεια K_{hw} 1,50 m/sec²

Μέτρηση κατά EN 20643

18.1 REACH

Το REACH είναι ένα κανονισμός της ΕΕ για την καταγραφή, αξιολόγηση και πιστοποίηση χημικών ουσιών.

Πληροφορίες για την συμμόρφωση με τον κανονισμό REACH (ΕΕ) αρ. 1907/2006 παρέχονται στο www.stihl.com/reach.

19. Εντοπισμός βλαβών

✂ αναζητήστε ενδεχομένως έναν εμπορικό αντιπρόσωπο, η STIHL προτείνει τον εμπορικό αντιπρόσωπο της STIHL.

📖 ανατρέξτε στις οδηγίες χρήσης του κινητήρα εσωτερικής καύσης.

Βλάβη:

Ο κινητήρας εσωτερικής καύσης δεν παίρνει μπροστά

Πιθανή αιτία:

- Η μπάρα διακοπής του κινητήρα δεν έχει πατηθεί.
- Δεν υπάρχει καύσιμο στο ρεζερβουάρ. Το κύκλωμα καυσίμου έχει βουλώσει.
- Κακή ποιότητα καυσίμου, λερωμένο ή παλαιό καύσιμο στο ρεζερβουάρ.
- Λερωμένο φίλτρο αέρα.
- Έχει αφαιρεθεί το κάλυμμα από το μπουζί. Κακή σύνδεση του καλωδίου στο μπουζί.
- Βλάβη στο μπουζί ή «λερωμένο» μπουζί. Λανθασμένο διάκενο ηλεκτροδίου.

Αντιμετώπιση:

- Πιέστε την μπάρα διακοπής του κινητήρα προς το τιμόνι και κρατήστε την πιεσμένη. (⇒ 9.2)

- Συμπληρώστε καύσιμο, καθαρίστε τα σωληνάκια καυσίμου. ✂
- Χρησιμοποιείτε πάντοτε επώνυμο καύσιμο, αμόλυβδη βενζίνη, καθαρίστε το καρμπυρατέρ. ✂
- Καθαρίστε το φίλτρο αέρα. ✂
- Τοποθετήστε το κάλυμμα του μπουζί. Ελέγξτε τη σύνδεση του καλύμματος με το μπουζί. ✂
- Καθαρίστε ή αντικαταστήστε το μπουζί. Ρυθμίστε το διάκενο του ηλεκτροδίου. ✂

Βλάβη:

Δυσκολία στη θέση του κινητήρα σε λειτουργία ή μειωμένη απόδοση κινητήρα εσωτερικής καύσης.

Πιθανή αιτία:

- Το περιβλήμα του χλοοκοπτικού έχει βουλώσει.
- Κοπή χόρτου με πολύ χαμηλή σκάλα κοπής ή ταχύτητα πρόωσης είναι πολύ μεγάλη σε σχέση με το ύψος κοπής.
- Ύπαρξη νερού στο ρεζερβουάρ καυσίμου και στο καρμπυρατέρ. Βουλωμένο καρμπυρατέρ.
- Λερωμένο ρεζερβουάρ καυσίμου.
- Λερωμένο φίλτρο αέρα.
- Λερωμένο μπουζί.

Αντιμετώπιση:

- Καθαρίστε το πλαίσιο (αφαιρέστε το κάλυμμα του μπουζί!). (⇒ 12.3)
- Ρυθμίστε μία μεγαλύτερη σκάλα κοπής ή μειώστε την ταχύτητα πρόωσης. (⇒ 8.4)
- Αδειάστε το ρεζερβουάρ καυσίμου, καθαρίστε τις σωληνώσεις καυσίμου και το καρμπυρατέρ. ✂
- Καθαρίστε το ρεζερβουάρ καυσίμου. ✂
- Καθαρίστε το φίλτρο αέρα. ✂
- Καθαρίστε το μπουζί. ✂

Βλάβη:

Ο κινητήρας εσωτερικής καύσης θερμαίνεται υπερβολικά.

Πιθανή αιτία:

- Χαμηλή στάθμη λιπαντικού στον κινητήρα εσωτερικής καύσης.
- Λερωμένα πτερύγια ψύξης.

Αντιμετώπιση:

- Αλλάξτε το λιπαντικό κινητήρα. (⇒ 7.6)
- Καθαρίστε τα πτερύγια ψύξης. (⇒ 12.3)

Βλάβη:

Έντονοι κραδασμοί κατά τη διάρκεια λειτουργίας.

Πιθανή αιτία:

- Βλάβη στο σύστημα κοπής.
- Η στερέωση του κινητήρα εσωτερικής καύσης έχει χαλαρώσει.

Αντιμετώπιση:

- Ελέγξτε και αν χρειαστεί επισκευάστε το μαχαίρι κοπής, τον άξονα μαχαιριών και τη στερέωση του μαχαιριού (βίδα μαχαιριού και ροδέλα ασφάλισης). ✂
- Σφίξτε όλες τις βίδες στερέωσης του κινητήρα εσωτερικής καύσης. ✂

Βλάβη:

Προβληματική κοπή, το χόρτο κιτρινίζει

Πιθανή αιτία:

- Φθαρμένα ή στομωμένα μαχαίρια κοπής

Αντιμετώπιση:

- Αντικαταστήστε ή τροχίστε το μαχαίρι (⇒ 12.6), (⇒ 12.5), ✂

20. Πρόγραμμα συντήρησης

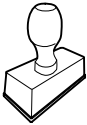
20.1 Βεβαίωση παράδοσης

Μοντέλο: _____

Αριθμός σειράς:

□	□	□	□	□	□	□	□	□
---	---	---	---	---	---	---	---	---

Ημερομηνία: □ □ □ □ □ □ □ □ □ □



Επόμενη συντήρηση


Ημερομηνία: □ □ □ □ □ □ □ □ □ □


20.2 Βεβαίωση συντήρησης



Για την εκτέλεση των εργασιών συντήρησης παραδώστε αυτές τις οδηγίες χρήσης στον εμπορικό αντιπρόσωπο STIHL.

Αυτός θα επιβεβαιώσει στα προτυπωμένα πεδία την εκτέλεση των εργασιών συντήρησης.

 Η συντήρηση πραγματοποιήθηκε στις

 Ημερομηνία επόμενης συντήρησης

Скъпи купувачи,

Ние се радваме, че сте избрали изделие на фирмата STIHL. Ние разработваме и произвеждаме продукти с най-високо качество в съответствие с изискванията на нашите клиенти. По този начин продуктите ни се отличават с висока надеждност дори при приложението им в най-тежки условия на експлоатация.

STIHL също така държи на най-високото качество в обслужването. Сътрудниците в специализираните ни търговски обекти са готови да Ви дадат компетентна консултация и съвети, както и да поемат комплексното техническо обслужване на закупените от Вас апарати.

Благодарим Ви за доверието и Ви пожелаваме удоволствие при ползването на изделието от фирмата STIHL.



Д-р Nikolas Stihl

**ВАЖНО! ПРОЧЕТЕТЕ ПРЕДИ
УПОТРЕБА – И СЪХРАНЯВАЙТЕ.**

1. Съдържание

За тази инструкция за експлоатация	268
Общи указания	268
Указания за четене на инструкцията за експлоатация	268
Описание на уреда	269
За Вашата безопасност	269
Общи указания	269
Зареждане и работа с бензин	270
Облекло и екипировка	271
Транспортиране на уреда	271
Преди работа	271
По време на работа	272
Поддръжка и ремонти	274
Съхранение при продължително неизползване на уреда	275
Изхвърляне	276
Описание на символите	276
Окомплектовка	277
Подготовка на уреда за пускане в експлоатация	277
Общи указания	277
Монтаж на моно-ръкохватката (RM 448 PC, RM 448 TC, RM 448 VC)	277
Монтаж на двойната ръкохватка (RM 443, RM 443 T, RM 448 PT, RM 448 T, RM 448 TX)	277
Сглобяване на коша за трева	278
Закачане и откачане на стартерното въже	278
Гориво и моторно масло	278
Командни елементи	278
Регулиране на моно-ръкохватката (RM 448 PC, RM 448 TC, RM 448 VC)	278
Сгъване на двойната ръкохватка (RM 443, RM 443 T, RM 448 PT, RM 448 T, RM 448 TX)	279
Кош за трева	279
Централна настройка височината на косене	279
Индикатор за равнището на запълване	280
Защитни приспособления	280
Защитни приспособления	280
Лост за спиране на двигателя	280
Указания за работа	280
Работна зона на оператора	280
Пускане на уреда в експлоатация	281
Стартиране на двигателя с вътрешно горене	281
Изключване на двигателя с вътрешно горене	281
Задвижване на ходовата част (RM 443 T, RM 448 PC, RM 448 PT, RM 448 T, RM 448 TX, RM 448 TC, RM 448 VC)	281
Изпразване на коша за трева	281
Поддръжка	282
Общи указания	282
Двигател с вътрешно горене	282
Почистване на уреда	282
Проверка на износването на ножовете	283
Демонтаж и монтаж на ножа за косене	283
Наточване на ножа за косене	283
Съхранение и временно спиране от експлоатация (през зимата)	284

Транспортиране	284
Транспортиране	284
Опазване на околната среда	285
Минимизиране на износването и предотвратяване на повреди	285
Обичайни резервни части	286
ЕС Декларация за съответствие	286
Бензинова косачка (STIHL RM)	286
Технически данни	287
REACH	290
Откриване на повреди	290
Сервизен план	291
Потвърждение за предаване	291
Потвърждение за извършена сервизна поддръжка	291

2. За тази инструкция за експлоатация

2.1 Общи указания

Тази инструкция за експлоатация е **оригинална инструкция за експлоатация** от производителя по смисъла на Директива 2006/42/ЕС на Европейския парламент и на Съвета.

STIHL работи непрекъснато за усъвършенстване на асортимента си; затова си запазваме правото на промени във формата, техниката и оборудването.

Ето защо данните и илюстрациите в настоящата инструкция не могат да бъдат основание за предявяване на каквито и да е претенции.

В тази инструкция за експлоатация може да има описани модели, които не са налични във всяка страна.

Тази инструкция за експлоатация е защитена от авторското право. Всички права са запазени, по-специално правото на размножаване, превод и обработка с електронни системи.

2.2 Указания за четене на инструкцията за експлоатация

Фигурите и текстовете описват определени стъпки на действие.

Всички поставени върху уреда пиктограми са пояснени в тази инструкция за експлоатация.

Посока на погледа:

Посока на погледа при употреба на „наляво“ и „надясно“ в инструкцията за експлоатация:

Потребителят е застанал зад уреда и гледа напред по посока на движението.

Препратка към глава:

Препратките към глави и раздели за допълнителни обяснения се отбелязват със стрелка. Следният пример показва препратка към глава: (⇒ 4.)

Обозначаване на пасажи от текста:

Описаните указания могат да бъдат обозначени по различен начин.

Работни стъпки, които изискват действие от страна на потребителя:

- Развийте болта (1) с отвертка, задействайте лоста (2)...

Общи изброявания:

- Използване на продукта при спортни или състезателни мероприятия

Текстове с допълнително значение:

Тези пасажи са обозначени с един от описаните по-долу символи, за да бъдат по-добре открити в инструкцията за експлоатация.



Опасност!

Опасност от злополука и тежко нараняване на хора. Извършването на определени действия е необходимо или трябва да се избягва определено поведение.



Предупреждение!

Опасност от нараняване на хора. Извършването на определени действия предпазва от възможни или вероятни наранявания.



Внимание!

Леки наранявания или материални щети могат да бъдат предотвратени с извършване на определени действия.



Указание

Информация за по-добро използване на уреда и за избягване на евентуалното му неправилно обслужване.

Текстове, отнасящи се към фигури:

Фигурите, на които е показан начинът на употреба на уреда, се намират в началото на инструкцията за експлоатация.

Този символ показва връзката между фигурите в началото и съответния текст в инструкцията за експлоатация.



3. Описание на уреда



- 1 Лост за спиране на двигателя
- 2 Лост за задвижване на ходовата част (RM 443 T, RM 448 PC, RM 448 PT, RM 448 T, RM 448 TX, RM 448 TC, RM 448 VC)
- 3 Лост за вариозадвижване (RM 448 VC)
- 4 Горна част на ръкохватката
- 5 Стартерно въже
- 6 Бързозатегателно приспособление (RM 443, RM 443 T, RM 448 PT, RM 448 T, RM 448 TX)
- 7 Долна част на ръкохватката (RM 443, RM 443 T, RM 448 PT, RM 448 T, RM 448 TX)
- 8 Двигател с вътрешно горене
- 9 Шумозаглушител със защитна решетка
- 10 Накрайник на запалителната свещ
- 11 Предна ръкохватка
- 12 Предно колело
- 13 Задно колело
- 14 Кош за трева
- 15 Задна ръкохватка
- 16 Лост за настройка височината на косене
- 17 Табелка за мощността с машинен номер
- 18 Конзола на ръкохватката (RM 448 PC, RM 448 TC, RM 448 VC)
- 19 Фиксаторен лост на ръкохватката (RM 448 PC, RM 448 TC, RM 448 VC)

4. За Вашата безопасност

4.1 Общи указания



Непременно спазвайте тези правила за техника на безопасност при работа с уреда.



Преди първото пускане на уреда в действие трябва да прочетете внимателно цялата инструкция за експлоатация.

Съхранявайте старателно инструкцията за експлоатация, за да я ползвате и в бъдеще.

Спазвайте указанията за обслужване и поддръжка, които ще намерите в отделната инструкция за експлоатация на двигателя с вътрешно горене.

Тези предпазни мерки (списъкът не е пълен) са задължителни за Вашата безопасност. Винаги използвайте уреда разумно и отговорно и не забравяйте, че потребителят носи отговорност при злополука с трети лица или материални щети по тяхната собственост.

Запознайте се с елементите за управление и с употребата на уреда.

Уредът да се използва само от лица, които са прочели инструкцията за експлоатация и са запознати с начина на работа с него. Преди първото пускане на уреда в експлоатация всеки потребител трябва да се постарее да получи компетентна и практическа подготовка за работа с него. Той трябва да получи указания от продавача или от друго квалифицирано лице за безопасната употреба на уреда.

Целта на тези указания е преди всичко да накарат потребителя да осъзнае, че са необходими изключително внимание и концентрация от негова страна, докато работи с уреда.

Дори когато обслужвате този уред според указанията, винаги съществува остатъчен риск.



Опасност за живота поради задушаване!

Съществува опасност за децата, които си играят с опаковките. Задължително дръжте опаковките извън обсега на деца.

Уредът, включително всички приспособления за допълнително монтиране, могат да се предоставят или отдават под наем само на лица, принципно запознати с този модел и работата с него. Инструкцията за експлоатация е част от уреда и винаги трябва да бъде предавана заедно с него.

Използвайте уреда само когато сте отпочинали и в добро физическо и психическо състояние. Ако имате здравословни проблеми, трябва да се консултирате с Вашия лекар дали можете да работите с уреда. Не работете с уреда след употреба на алкохол, наркотици или забавящи способността за реагиране лекарства.

Използването на уреда никога не трябва да се разрешава на деца, лица с ограничени физически, сетивни или умствени възможности или недостатъчен опит и познания, както и лица, които не са запознати с инструкциите.

Никога не разрешавайте на деца или подрастващи под 16 години да използват уреда. В местните

разпоредби може да е определена различна минимална възраст на потребителя.

Уредът е предвиден за лично ползване.

Внимание – опасност от злополука!

Косачката е предназначена само за косене на трева. Използването ѝ за други цели не е позволено, тъй като може да бъде опасно или да повреди уреда.

Поради опасност от телесни повреди за оператора не се разрешава използването на косачката за следните дейности (списъкът не е пълен):

- подрязване на храсти, жив плет и храсталаци;
- рязане на пълзящи растения;
- поддържане на тревни площи върху покриви и в балконски саксии;
- раздробяване и надробяване на отрязани клони от дървета и жив плет;
- почистване на алеи (изсмукване, издухване);
- заравняване на почвени неравности, напр. къртичини;
- транспортиране на окосена маса, освен в предвидения за това кош за трева.

От съображения за сигурност се забранява извършване на каквато и да било промяна по уреда с изключение на квалифицирания допълнителен монтаж на одобрени от STIHL принадлежности, освен това такава промяна би довела и до отмяна на гаранцията. Информация за одобрените принадлежности можете да получите от вашия специализиран търговец на STIHL.

Изрично се забранява всякаква манипулация по уреда, която повишава мощността или честотата на въртене на двигателя с вътрешно горене, съотв. на електродвигателя.

С уреда не бива да се транспортират хора, особено деца, животни или предмети.

При използване на уреда в обществени обекти, паркове, на спортни площадки, по улици и в селскостопански и горски предприятия се изисква повишено внимание.



Внимание! Опасност за здравето поради вибрации!

Прекомерното излагане на вибрации може да увреди кръвообращението или нервите на горните крайници, особено при хора с проблеми в кръвообращението. Обърнете се към лекар при появата на симптоми, които биха могли да са резултат от излагане на вибрации. Такива симптоми, които се появяват основно по пръстите, ръцете или китките, са напр. (списъкът не е пълен):

- липса на чувствителност,
- болки,
- мускулна слабост,
- дисхромия на кожата,
- неприятен сърбеж.

Дръжте по време на работа ръкохватката здраво, но не напрегнато, с две ръце на предвидените за целта места.

Времето за работа да се планира така, че да се избягват по-високите натоварвания за по-продължителен период от време.

4.2 Зареждане и работа с бензин



Опасност за живота!

Бензинът е отровен и лесно възпламеним.

Съхранявайте бензина само в предвидени за тази цел и проверени съдове (туби). Капачките на тубите за гориво трябва винаги правилно да са завинтени и затегнати. От съображения за сигурност дефектните капачки трябва да се подменят.

Никога не използвайте бутилки за напитки или подобни съдове за изхвърляне или съхранение на гориво. Трети лица, и по-специално деца, могат по погрешка да пият от тях.



Дръжте бензина далеч от искри, открити пламъци, огън, източници на топлина и други източници на запалване. Не пушете!

Зареждайте с гориво само на открито и не пушете, докато зареждате.

Преди зареждане изключете двигателя с вътрешно горене и го оставете да изстине.

Зареждането с бензин трябва да се извършва преди стартиране на двигателя с вътрешно горене. По време на работа на двигателя с вътрешно горене или при загрята машина капачката на резервоара не бива да се отваря или да се зарежда гориво.

Не препълвайте резервоара за гориво!

За да оставите място за разширяване на горивото, никога не пълнете резервоара за гориво над долния ръб на крайника за пълнене.



В допълнение спазвайте указанията в инструкцията за експлоатация на двигателя с вътрешно горене.

В случай че е изтекъл бензин, запалете двигателя с вътрешно горене едва след като почистите замърсената с бензин повърхност. Избягвайте всякакъв опит за запалване, докато бензиновите пари не са се изпарили (подсушете чрез забърсване).

Веднага избършете разлятото гориво.

Ако по дрехите е попаднал бензин, те трябва да се сменят.

Никога не съхранявайте уреда на закрито с бензин в резервоара. Образоващите се бензинови пари могат да влязат в досег с открити пламъци или искри и да се възпламенят.

В случай че резервоарът има нужда от изпразване, това трябва да се извършва на открито.

4.3 Облекло и екипировка



По време на работа винаги носете затворени обувки с грайферни подметки. Никога не работете боси или с леки обувки, например сандали.



При дейности по поддръжка и почистване, както и при транспортиране, винаги

носете пълтни предпазни ръкавици и прибирайте добре дългата коса (кърпа за глава, шапка и др.).



При заточване на ножа за косене трябва да се носят подходящи предпазни очила.

Носете дълги панталони и тясно прилепнало облекло, когато работите с уреда.

Никога не носете свободно облекло, бижута, вратовръзки и шалове, които могат да се закачат за подвижните части (команден лост).



По време на работа възниква шум. Шумът може да увреди слуха.

Носете средства за защита на слуха.

4.4 Транспортиране на уреда

Работете само с ръкавици, за да избегнете наранявания от части на уреда, които са горещи или с остри ръбове.

Не транспортирайте уреда с работещ двигател с вътрешно горене. Преди това изключете двигателя с вътрешно горене, изчакайте ножовете да спрат и извадете контактния крайник на запалителната свещ.

Транспортирайте уреда само с изстинал двигател с вътрешно горене и с празен резервоар за гориво.

За товарене използвайте подходящи помощни съоръжения (товарни рампи, подедни механизми).

Застопорете уреда и транспортираните заедно с него компоненти (напр. кош за трева) върху товарната платформа с подходящи по размер средства за закрепване (ремъци, въжета и др.).

Избягвайте контакт с ножа за косене при вдигане и носене на уреда.

Прочетете и спазвайте указанията в глава „Транспортиране“. Там е описано как да вдигате и закрепвате уреда. (⇒ 13.)

При транспортиране на уреда спазвайте местните законови разпоредби и по-специално отнасящите се до безопасността при товарене и транспорт на изделия върху товарни платформи.

4.5 Преди работа

Уверете се, че с уреда работят само лица, които са запознати с инструкцията за експлоатация.

Преди пускане на уреда в експлоатация проверете уплътнеността на горивната система, особено на видимите части, като напр. резервоар, капачка на резервоара, свързвания на маркучите. В случай на неуплътненост или повреда не стартирайте двигателя с вътрешно горене – **опасност от изгаряне!** Занесете уреда на ремонт при специализиран търговец.

Спазвайте определените в местните разпоредби часове за работа с градински уреди, оборудвани с двигател с вътрешно горене или електродвигател.

Проверете внимателно терена, върху който ще използвате уреда, и отстранете всички камъни, пръчки,

телове, кости и други чужди тела, които могат да бъдат изхвърлени от него. Препятствията (напр. пънове, корени) лесно могат да останат незабелязани във висока трева.

За тази цел, преди да започнете работа с уреда, обозначете всички скрити в тревата чужди тела (препятствия), които не могат да бъдат отстранени.

Преди употреба на уреда всички неизправни, износени и повредени части трябва да се заменят. Станалите нечетливи или повредени предупредителни стикери по уреда трябва да се подменят. Вашият специализиран търговец на STIHL поддържа наличност от резервни стикери и всички други резервни части.

Преди употреба на уреда проверете дали контактният накрайник е поставен плътно и сигурно към запалителната свещ.

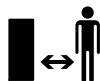
Уредът може да се използва само в състояние на безопасна експлоатация. Преди всяко пускане на уреда в експлоатация проверете

- дали уредът е монтиран в съответствие с указанията.
- дали режещият инструмент и целият режещ блок (нож за косене, елементи за закрепване, корпус на косачния механизъм) са в изправно състояние. Обърнете внимание най-вече дали са добре закрепени и дали не са повредени (резки или пукнатини) или износени. (⇒ 12.4)
- дали капачката на резервоара е завинтена правилно.

- дали резервоарът и горивопроводните части, както и капачката на резервоара, са в изправно състояние.
- дали предпазните приспособления (напр. лост за спиране на двигателя, дефлектор, корпус, ръкохватка, предпазна решетка) са в изправно състояние и функционират правилно.
- дали по коша за трева няма повреди и дали е монтиран добре; ако кошът за трева е повреден, не бива да се използва.
- дали винтовата тапа за маслото е завинтена правилно.

При нужда извършете сами всички необходими дейности или се обърнете към специализиран търговец. STIHL препоръчва своите специализирани търговци.

4.6 По време на работа



Никога не работете с уреда, ако в района, където ще работите с него, има хора, особено деца, или животни.

Монтираните на уреда прекъсвачи и защитни приспособления не бива да бъдат отстранявани или заобикаляни. Никога не фиксирайте лоста за спиране на двигателя към ръкохватката (напр. чрез привързване).



Внимание – опасност от нараняване!

Никога не поставяйте ръцете или краката си до или под въртящите се части. Никога не

докосвайте въртящия се нож. Винаги стойте на разстояние от отвора за изхвърляне.

Винаги спазвайте определената от ръкохватката безопасна дистанция. Ръкохватката трябва да е монтирана правилно и да не бъде променяна. Никога не пускайте уреда в експлоатация със сгъната ръкохватка.

Никога не закачайте предмети по ръкохватката (напр. работно облекло).

Работете само на дневна светлина или при добро изкуствено осветление.

Не работете с уреда при дъжд, буря и особено когато има опасност от удар на мълния.

Ако теренът е влажен, опасността от злополука се увеличава поради намалена стабилност на оператора. Работете много внимателно, за да избегнете подхлъзване. По възможност избягвайте използване на уреда върху влажни терени.

Изгорели газове:



Опасност за живота поради отравяне!

При прилошаване, главоболие, проблеми със зрението (напр. стеснено зрително поле), нарушения на слуха, световъртеж, намалена способност за концентрация веднага спрете работа. Тези симптоми може да са предизвикани от прекалено висока концентрация на изгорели газове.



Уредът започва да произвежда отровни изгорели газове още със запалване на двигателя с вътрешно горене.

Тези газове съдържат отровен въглероден окис, газ без цвят и мирис, както и други вредни вещества. Никога не палете двигателя с вътрешно горене в затворени или недобре проветриви помещения.

Стартиране:

Стартирайте уреда внимателно – следвайте указанията в глава „Пускане на уреда в експлоатация“. (⇒ 11.). Стартирането съгласно тези указания намалява опасността от нараняване.

Опасност от нараняване!

Когато стартерното въже се връща бързо обратно, ръката и рамото се изтеглят по-бързо към двигателя с вътрешно горене, отколкото стартерното въже може да бъде пуснато. Поради този откат може да се стигне до счупване на кости, притискания и разтежения.

При стартиране винаги осигурявайте достатъчно разстояние между краката си и режещия инструмент.

При стартиране уредът не бива да е наклонен.

При стартиране лостът за задвижване на ходовата част не бива да бъде задействан.

Не палете двигателя с вътрешно горене, ако каналът за изхвърляне не е покрит с дефлектора или с коша за трева.

Работа по склонове:

Работете винаги напречно, а не надлъжно на склона.

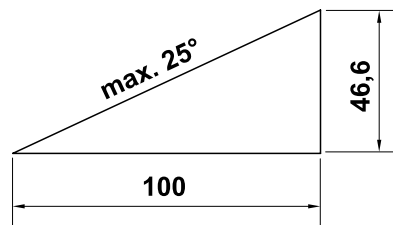
Ако при косене надлъжно на склона операторът загуби контрол, може да бъде прегазен от косящия уред.

Бъдете особено внимателни, когато промените посоката на движение по склона.

Винаги осигурявайте добра стабилност на уреда при работа по склонове и избягвайте да работите по прекалено стръмни склонове.

От съображения за сигурност уредът не бива да се използва по склонове с наклон над 25° (46,6%). **Опасност от нараняване!**

25° наклон на склона отговарят на вертикално нарастване от 46,6 см на 100 см хоризонтална дължина.



За осигуряване на достатъчно смазване на двигателя с вътрешно горене при използване на уреда по склонове вижте още и информацията в доставената заедно с него инструкция за експлоатация на двигателя с вътрешно горене.

По време на работа:



Опасност от нараняване!

Никога не поставяйте ръцете или краката си над, под или до въртящите се части.



Не се опитвайте да проверявате ножа, докато косачката работи. Никога не отваряйте дефлектора и/или не

сваляйте коша за трева, докато ножът за косене работи. Въртящият се нож може да причини нараняване.

Винаги управлявайте уреда с пешеходна скорост и в никакъв случай не тичайте, докато работите с него. Управлението на уреда с по-голяма скорост увеличава опасността от нараняване в резултат на препъване, подхлъзване и т.н.

Бъдете особено предпазливи, когато завивате с уреда или го придърпвате към себе си.

Опасност от препъване!

Използвайте уреда с особено внимание, когато работите в близост до склонове, теренни ръбове, изкопи и диги. Особено внимавайте да се намирате на достатъчно разстояние от подобни опасни места.

Скритите в тревните площи обекти (дъждовални инсталации, колове, водни клапани, фундаменти, електрически проводници и т.н.) задължително трябва да се заобикалят. Никога не преминавайте с уреда през такива чужди обекти.



Внимавайте за движението по инерция на режещия инструмент, което продължава още няколко секунди, преди инструментът да спре напълно.

Изключете двигателя с вътрешно горене, изчакайте работния инструмент да спре и извадете накрайника на запалителната свещ:

– преди да оставите уреда без надзор;

- преди да заредите с гориво. Зареждайте уреда с гориво само при истиннал двигател с вътрешно горене.

Опасност от пожар!

- преди да отблокирате или отпушете канала за изхвърляне;
- преди да вдигате и пренасяте уреда;
- преди да транспортирате уреда;
- преди да работите по ножа за косене;
- преди проверка или почистване на уреда или преди извършване на други работи по него (напр. сгъване на ръкохватката);
- ако инструментът е срещнал чуждо тяло или ако косачката започне да вибрира необичайно силно. В тези случаи проверете уреда и поспециално режещия блок (ножа, ножовия вал, закрепването на ножа) за повреди и извършете необходимите ремонти, преди отново да стартирате уреда и да работите с него.



Опасност от нараняване!

Силното вибриране по принцип е указание за повреда.

Косачката не бива никога да се пуска в експлоатация с повреден или извит колян вал или с повреден или извит нож за косене.

Ако нямате необходимите познания, се обърнете към специалист – STIHL препоръчва своите специализирани търговци – който да извърши необходимите ремонти.

Изгасете двигателя с вътрешно горене:

- когато бутате уреда от или към тревната площ, която ще обработвате с него;
- преди да местите уреда върху необрасъл с трева терен;
- преди да отворите дефлектора или да свалите коша за трева;
- когато се налага уредът да се наклони с цел транспортиране;
- преди да настроите височината на косене.

4.7 Поддръжка и ремонти

Преди започване на дейности по почистване, настройка, ремонт и поддръжка:

- поставете уреда върху твърда, равна почва,
- изключете двигателя с вътрешно горене и го оставете да изстине,
- изтеглете накрайника на запалителната свещ.



Внимание – опасност от нараняване!

Дръжте далеч накрайника на запалителната свещ от запалителната свещ, случайна запалителна искра може да доведе до пожар или електрически удар.

Случаен контакт на запалителната свещ с накрайника на запалителната свещ може да доведе до неволно запалване на двигателя с вътрешно горене.



Опасност от нараняване с ножа за косене!

Чрез издърпване на стартерното въже работният инструмент започва да извършва въртеливо движение. Винаги когато издърпвате стартерното въже, внимавайте да има достатъчно разстояние между тялото Ви (най-вече ръцете и краката) и ножа за косене.

Оставете уреда да изстине, особено преди да започнете дейности по двигателя с вътрешно горене, коляното на изпускателната тръба и шумозаглушителя. Температурата им може да достигне над 80 °С. **Опасност от изгаряне!**

Директният контакт с моторното масло може да е опасен. Освен това моторното масло не бива да се разлива. STIHL препоръчват пълненето или смяната на моторно масло да се извършва от техен специализиран търговец.

Почистване:

След употреба целият уред трябва старателно да се почисти. (⇒ 12.3)

Преди да поставите уреда в позиция за почистване, изпразнете резервоара за гориво (напр. като оставите двигателя да работи, докато свърши горивото).

С помощта на дървена пръчка отстранете заседналите остатъци от трева. Почистете долната страна на косачката с четка и вода.

Никога не ползвайте паро- или водоструйка и не почиствайте уреда под течаща вода (напр. с градински маркуч).

Не използвайте агресивни почистващи препарати. Те могат да повредят пластмасовите и металните части, което да влоши безопасната работа на вашия уред на STIHL.

За да се избегне опасност от пожар, поддържайте зоната на охлаждащите отвори, охлаждащите ребра и ауспуха чиста, напр. от трева, слама, мъх, листа или изтекла грес.

Дейности по поддръжката:

Разрешено е извършване само на описаните в тази инструкция за експлоатация дейности по поддръжката – всички останали работи трябва да се изпълняват от специализиран търговец.

В случай че се нуждаете от информация или помощни средства, **винаги** се обръщайте към специализиран търговец.

STIHL препоръчва дейностите по поддръжка и ремонт да се извършват само от специализиран търговец на STIHL.

Специализираните търговци на STIHL редовно преминават обучение и им се предоставя техническа информация.

Използвайте само разрешени от STIHL инструменти, принадлежности и уреди за допълнително прикачване или технически еквивалентни части, в противен случай може да възникне опасност от злополука, която да доведе до физическо нараняване на хора или повреда на уреда. Ако имате въпроси, се обърнете към специализиран търговец.

Оригиналните инструменти, принадлежности и резервни части на STIHL по своите качества са оптимално съгласувани с уреда и изискванията на

потребителя. Оригиналните резервни части на STIHL се познават по каталожния номер на STIHL, по надписа STIHL и евентуално по знака на резервната част на STIHL. Върху малките части може да има само знак.

От съображения за сигурност редовно проверявайте компонентите на горивопроводната система (тръбопровода за гориво, крана за гориво, резервоара за гориво, капачката на резервоара, връзките и пр.) за повреди и течове и при нужда ги дайте да бъдат подменени от специалист (STIHL препоръчват своите специализирани търговци).

Винаги поддържайте предупредителните и указателните стикери чисти и четливи. Повредени или изгубени стикери трябва да се заменят с нови оригинални стикери от вашия специализиран търговец на STIHL. Ако даден детайл се замени с нов, погрижете се новият детайл да получи същия стикер.

При работа по режещия блок носете винаги дебели предпазни ръкавици и бъдете изключително предпазливи.

Внимавайте всички гайки, палци и болтове, особено болтът на ножа, да са добре затегнати, така че уредът да се намира в безопасно работно състояние.

Проверявайте редовно целия уред и коша за трева, особено преди да ги приберете за съхранение (напр. през зимата) за износване или повреди. От съображения за сигурност подменяйте веднага износените или повредени части, за да бъде уредът винаги в безопасно работно състояние.

Никога не променяйте основната настройка на двигателя с вътрешно горене и не го форсирайте.

В случай че за извършване на дейности по поддръжката са били отстранени компоненти или защитни приспособления, те трябва да се поставят отново след това съгласно указанията.

4.8 Съхранение при продължително неизползване на уреда

Оставете двигателя с вътрешно горене да изстине, преди да оставите уреда в затворено помещение.

Уредът с изпразнен резервоар и резервното гориво да се съхраняват в заключващо се и добре проветриво помещение.

Уверете се, че уредът е защитен срещу неразрешена употреба (напр. от деца).

Никога не съхранявайте на закрито уреда с бензин в резервоара. Образоващите се бензинови пари могат да влязат в досег с открити пламъци или искри и да се възпламенят.

Ако се налага да бъде изпразнен резервоарът за гориво, напр. поради прекъсване на работата през зимата, го направете на открито (напр. като оставите двигателя да работи, докато свърши горивото).

Почистете уреда основно, преди да го приберете за съхранение (напр. през зимата).

Съхранявайте уреда само с изваден контактен накрайник на запалителната свещ.

Съхранявайте уреда в състояние за безопасна експлоатация.

Оставете уреда да изстине напълно, преди да го покриете.

4.9 Изхвърляне

Отпадни продукти, като отработено масло или гориво, използвани смазочни материали, филтри, акумулаторни батерии и други подобни износващи се части, могат да окажат вредно въздействие върху хората, животните и околната среда и затова трябва да се изхвърлят според изискванията.

Обърнете се към вашия център за рециклиране или към вашия специализиран търговец, за да научите как да изхвърляте правилно отпадните продукти. STIHL препоръчва своите специализирани търговци.

Уверете се, че излезлият от употреба уред ще бъде предаден за съобразено с изискванията изхвърляне. Преди да бъде изхвърлен, уредът трябва да се приведе в негодно за употреба състояние. За предотвратяване на злополуки отстранете кабела за запалване, изпразнете резервоара и източете моторното масло.

Опасност от нараняване с ножа за косене!

Никога не оставяйте излязла от употреба косачка без надзор. Уверете се, че уредът и особено ножът за косене се съхраняват на място, недостъпно за деца.

5. Описание на символите



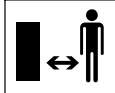
Внимание!

Прочетете инструкцията за експлоатация, преди да използвате уреда.



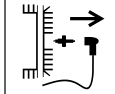
Опасност от нараняване!

Не допускате странични лица в опасната зона.



Опасност от нараняване!

Преди работа по режещия инструмент и дейности по поддръжка и почистване изваждайте контактния накрайник на запалителната свещ.



Опасност от нараняване!

Дръжте ръцете и краката си далеч от ножовете!

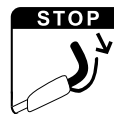


След изключване режещият блок продължава да работи няколко секунди по инерция (спирачка на двигателя с вътрешно горене/спирачка на ножа).



RM 443, RM 443 T, RM 448 PT, RM 448 T, RM 448 TX:

Стартиране на двигателя с вътрешно горене



RM 443, RM 443 T, RM 448 PT, RM 448 T, RM 448 TX:

Изключване на двигателя с вътрешно горене



RM 443 T, RM 448 PT, RM 448 T, RM 448 TX:

Включване на задвижването на ходовата част



RM 448 PC, RM 448 TC, RM 448 VC:

Стартиране на двигателя с вътрешно горене



RM 448 PC, RM 448 TC, RM 448 VC:

Изключване на двигателя с вътрешно горене



RM 448 PC, RM 448 TC, RM 448 VC:

Включване на задвижването на ходовата част



RM 448 VC:

Настройте скоростта на движение. (⇒ 11.3)

6. Окомплектовка



Поз.	Наименование	Бр.
A	Основен уред	1
B	Горна част на коша за трева	1
C	Долна част на коша за трева	1
D	Палец	2
–	Инструкция за експлоатация	1
–	Инструкция за експлоатация Двигател с вътрешно горене	1

RM 443, RM 443 T, RM 448 PT, RM 448 T, RM 448 TX:

Поз.	Наименование	Бр.
E	Бързозатегателно приспособление	2
F	Болт	2
G	Водач на кабела	2
H	Предпазни втулки	2

RM 448 PC, RM 448 TC, RM 448 VC:

Поз.	Наименование	Бр.
I	Втулка	1
J	Болт	1
K	Шайба	2
L	Гайка	1

7. Подготовка на уреда за пускане в експлоатация

7.1 Общи указания



Опасност от нараняване
Спазвайте указанията за безопасност в глава „За Вашата безопасност“ (⇒ 4.).

- За извършване на всички описани дейности поставете уреда върху хоризонтална, равна и твърда основа.

7.2 Монтаж на моно-ръкохватката (RM 448 PC, RM 448 TC, RM 448 VC)



- **1** Вкарайте втулката (I) в отвора на ръкохватката (1).
- **2** Пъхнете двете шайби (K) с изпъкналата част навътре във втулката на ръкохватката (1).
- **3** Задръжте втулката (I) и шайбите (K) и вкарайте заедно с ръкохватката (1) в държача на конзолата на ръкохватката (2).
- **4** Пъхнете болта (J) от вън навътре през отворите на ръкохватката (1) и на конзолата на ръкохватката (2).
- **5** Затегнете гайката (L).
- **6** Затегнете болта (J). Момент на затягане: **18 - 22 Nm**

Монтаж на жилата:

- **RM 448 PC, RM 448 TC:**
Поставете жилото на спирачката на двигателя (3) и жилото за задвижване на ходовата част (4), както е показано във водачите на жилата (6), върху конзолата на ръкохватката и върху ръкохватката. **RM 448 VC:**
Поставете жилото на спирачката на двигателя (3), жилото на задвижването на ходовата част (4) и жилото на вариозадвижването (5), както е показано във водачите на жилата (6), върху конзолата на ръкохватката и върху ръкохватката.

7.3 Монтаж на двойната ръкохватка (RM 443, RM 443 T, RM 448 PT, RM 448 T, RM 448 TX)



- Пъхнете предпазните втулки (H) върху двете долни части на ръкохватката (1).
- Пъхнете болта (F) през отвора на водача на кабела (G).
- Задръжте горната част на ръкохватката (2) върху долните части на ръкохватката (1).
- **Лява страна:**
Закачете водача на кабела (G) за жилото за спирачката на двигателя (3).
- **Дясна страна (RM 443 T, RM 448 PT, RM 448 T, RM 448 TX):**
Закачете водача на кабела (G) за жилото за задвижване на ходовата част (4).
- Пъхнете болта (F) от двете страни от вътре навън през отворите.

- Затегнете бързозатегателните приспособления (E) върху болтовете (F) (трябва да остане да се подава приблизително една навивка на резбата на болта) и ги затворете нагоре.
- Проверка за правилен монтаж: Бързозатегателните приспособления (E) трябва да се затегнат така, че да застанат плътно до ръкохватката и горната част на ръкохватката да се съедини здраво с долната. Ако ръкохватката не е монтирана здраво или бързозатегателните приспособления не са застанали правилно, отворете ги и ги преместете, докато не се захванат здраво.

7.4 Сглобяване на коша за трева



- Поставете горната част на коша за трева (B) върху долната му част (C). Внимавайте за правилното позициониране във водачите.
- Избутайте палците (D) отвътре навън през предвидените за целта отвори.
- Натиснете леко горната част на коша за трева (B) към долната му част, докато фиксира.
- Закачете коша за трева (⇒ 8.3).

7.5 Закачане и откачане на стартерното въже



Закачане

- Извадете накрайника на запалителната свещ от двигателя с вътрешно горене.
- Натиснете лоста за спиране на двигателя (1) към ръкохватката и го задръжте.
- Бавно изтеглете стартерното въже (2).
- Пуснете лоста за спиране на двигателя (1) и закачете стартерното въже (2) във водача на въжето (3).
- Поставете накрайника на запалителната свещ.

Откачане

- Извадете накрайника на запалителната свещ от двигателя с вътрешно горене.
- Откачете стартерното въже (2) от водача на въжето (3).

7.6 Гориво и моторно масло



Избягвайте повреди по уреда!

Преди да стартирате уреда за първи път, налейте моторно масло. Използвайте подходящо помощно средство (напр. фуния) за пълнене на моторно масло и зареждане с гориво.

Моторно масло:

Подходящият вид и необходимото количество моторно масло са посочени в инструкцията за експлоатация на



двигателя с вътрешно горене. Извършвайте редовно проверка на нивото на маслото (вижте инструкцията за експлоатация на двигателя с вътрешно горене). Избягвайте прекалено ниско и прекалено високо ниво на маслото. Преди пускане на двигателя с вътрешно горене в експлоатация затегнете правилно капачката на резервоара за масло.

Гориво:

Препоръка:
свежи маркови горива;
безоловен бензин.

Данните за качеството на горивото (октаново число) са посочени в инструкцията за експлоатация на двигателя с вътрешно горене.



8. Командни елементи

8.1 Регулиране на моно-ръкохватката (RM 448 PC, RM 448 TC, RM 448 VC)



Опасност от прищипване!

Когато задействате фиксаторния лост, винаги дръжте с една ръка горната част на ръкохватката в най-високата точка. Никога не поставяйте пръстите си между ръкохватката и конзолата (над и под фиксаторния лост).

Сгъване на лоста за управление:

Транспортно положение (за почистване, компактно транспортиране и съхранение на уреда):

- Откачете стартерното въже от водача на въжето. (⇒ 7.5)
- Дръжте с една ръка горната част на ръкохватката (2) в най-високата точка и леко я повдигнете (намалете натоварването).
- Натиснете надолу и задръжте фиксаторния лост (1).
- Сгънете напред лоста за управление (2).

Работна позиция (за бутане на уреда):

- Приберете назад лоста за управление (2) и внимавайте той отново да се фиксира добре.
- Закачете стартерното въже на водача на въжето. (⇒ 7.5)

Регулиране на височината:

Височината на моно-ръкохватката може да се регулира на 2 степени:

- Дръжте с една ръка горната част на ръкохватката (2) в най-високата точка и леко я повдигнете (намалете натоварването).
- Натиснете надолу и задръжте фиксаторния лост (1).
- Поставете лоста за управление (2) в желаната позиция.
- Пуснете фиксаторния лост (1) и внимавайте лостът за управление отново да се фиксира добре.

8.2 Сгъване на двойната ръкохватка (RM 443, RM 443 T, RM 448 PT, RM 448 T, RM 448 TX)



Опасност от прищипване!

Горната част на ръкохватката може да се сгъне при разхлабване на бързодействащите затварящи устройства. Затова винаги дръжте с една ръка горната част на ръкохватката (2) в най-високата точка, докато отваряте бързодействащите затварящи устройства.

Транспортна позиция (за почистване, компактно транспортиране и съхранение на уреда):

- Откачете стартерното въже от водача на въжето. (⇒ 7.5)
- Отворете бързозатегателните приспособления (1), като ги свалите надолу и сгънете напред горната част на ръкохватката (2).

Работна позиция (за бутане на уреда):

- Разгънете назад и задръжте с една ръка горната част на ръкохватката (2).
- Затворете бързозатегателните приспособления (1) (като ги вдигнете нагоре).
- Закачете стартерното въже на водача на въжето. (⇒ 7.5)

8.3 Кош за трева



Закачане:

- Отворете дефлектора (1) и го задръжте.
- Закачете кош за трева (2) с помощта на застопоряващите зъбчета на местата, предвидени за закрепване на коша (3) от задната страна на уреда.
- Затворете дефлектора (1).

Откачане:

- Отворете дефлектора (1) и го задръжте.
- Повдигнете леко кош за трева (2) и го свалете назад.
- Затворете дефлектора (1).

8.4 Централна настройка височината на косене



Височината на косене може да бъде настройвана на 6 степени.

Степен 1 = 25 мм

Степен 6 = 75 мм

Настройка на височината на косене:

- Хванете ръкохватката (1), издърпайте нагоре лоста (2) и го задръжте.
- Настройте желаната височина на косене чрез вдигане или спускане на уреда. Текущо настроената височина на косене може да се разбере от индикатора за височината на косене (3) с помощта на маркировката (4).

- Бавно пуснете лоста за фиксиране (2) и го фиксирайте.

8.5 Индикатор за равнището на запълване



В горната част на коша за трева е поставен индикатор за равнището на запълване (1).

Въздушният поток, който възниква от въртенето на ножа за косене и осигурява пълненето на коша за трева, повдига индикатора за равнището на запълване (2):

Кошът за трева се пълни с окосена маса.

Когато кошът за трева се напълни, този въздушен поток намалява и индикаторът за равнището на запълване пада (3):

- Изпразнете пълния кош за трева (⇒ 11.4).

9. Защитни приспособления

Уредът е оборудван с множество защитни приспособления, които служат за неговото безопасно управление и за защита срещу неправилното му използване.



Опасност от нараняване!

Ако при някои от защитните приспособления се установи неизправност, уредът не бива да се пуска в експлоатация. Обърнете се към вашия специализиран търговец – STIHL препоръчва своите специализирани търговци.

9.1 Защитни приспособления

Косачката е оборудвана със защитни приспособления, които предотвратяват неволен контакт с ножа за косене и изхвърляната окосена маса.

Към тях спадат корпусът, дефлекторът, кошът за трева и правилно монтираната ръкохватка.

9.2 Лост за спиране на двигателя

Косачката е оборудвана с механизъм за спиране на двигателя.

По време на експлоатация посредством освобождаване на лоста за спиране на двигателя се изключва двигателят с вътрешно горене.

Двигателят с вътрешно горене и ножът спират в рамките на 3 секунди.



Опасност от нараняване!

Ако времето за работа по инерция на ножа е по-продължително, преустановете използването на уреда и го занесете при специализирания търговец.

Измерване на времето за работа по инерция

След стартиране на двигателя с вътрешно горене ножът започва да се върти и се чува шум като от вятър. Времето за работа по инерция съответства на продължителността на този шум като от вятър след изключване на двигателя с вътрешно горене; то може да се измери с хронометър.

10. Указания за работа

Хубава и гъста трева се получава:

- когато косите с бавна скорост;
- когато косите често и поддържате тревата ниска;
- когато при горещ и сух климат не косите тревата прекалено ниско, в противен случай тя ще изгори от слънцето и ще придобие неугледен вид;
- когато работите с остър нож за косене – затова редовно го наточвайте (специализиран търговец);
- когато сменяте редовно посоката на косене.

10.1 Работна зона на оператора



- При стартиране и при работещ двигател с вътрешно горене операторът винаги трябва да се намира в работната зона зад лоста. Винаги спазвайте определената от ръкохватката безопасна дистанция.
- Косачката може да се управлява само от един човек. Страничните лица трябва да стоят далеч от опасната зона. (⇒ 4.)

11. Пускане на уреда в експлоатация

11.1 Стартиране на двигателя с вътрешно горене



i Не стартирайте двигателя с вътрешно горене при висока трева. При затруднено стартиране изберете по-голяма височина на косене. След стартирането двигателят с вътрешно горене работи на оптимални обороти благодарение на настройката за постоянна газ.

- Натиснете лоста за спиране на двигателя (1) към ръкохватката и го задръжте.
- Издърпайте бавно стартерното въже (2), докато усетите съпротивление. След това го дръпнете силно и бързо на една ръка разстояние. Бавно отпуснете стартерното въже (2), така че да се върне обратно, за да може отново да бъде навито.
- Повторете процеса, докато двигателят с вътрешно горене не се задвижи.

11.2 Изключване на двигателя с вътрешно горене



- За да изключите двигателя с вътрешно горене, освободете лоста за спиране на двигателя (1). След кратко време на движение по инерция двигателят с вътрешно горене и ножът за косене спират да работят.

11.3 Задвижване на ходовата част (RM 443 T, RM 448 PC, RM 448 PT, RM 448 T, RM 448 TX, RM 448 TC, RM 448 VC)



Косачките RM 443 T, RM 448 PC, RM 448 PT, RM 448 T, RM 448 TX, RM 448 TC и RM 448 VC са снабдени със задвижване на ходовата част.

RM 443 T, RM 448 PC, RM 448 PT, RM 448 T, RM 448 TX, RM 448 TC: Една предна скорост (едноскоростна предавателна кутия)

RM 448 VC:

Плавно регулируема предна скорост по време на движение (вариопредавателна кутия)

Включване на задвижването на ходовата част:

- Стартирайте двигателя с вътрешно горене. (⇒ 11.1)
- Издърпайте лоста за задвижване на ходовата част (1) към ръкохватката и го задръжте. Задвижването на ходовата част се включва и косачката започва да се движи напред.





Избягвайте повреди по уреда! Винаги активирайте напълно скобата на задвижването на ходовата част (докрай), за да се избегнат последващи щети по предавателната кутия.

Настройте скоростта на задвижване (RM 448 VC):



Избягвайте повреди по уреда! Задействайте лоста на вариозадвижването (2) само докато двигателят с вътрешно горене работи.

- Увеличаване на скоростта на движение:  Натиснете напред лоста на вариозадвижването (2) по време на движение.
- Намаляване на скоростта на движение:  Изтеглете назад лоста на вариозадвижването (2) по време на движение.

Изключване на задвижването на ходовата част:

- Пуснете лоста за задвижване на ходовата част (1). Задвижването на ходовата част се изключва и косачката спира. Двигателят с вътрешно горене продължава да работи.

11.4 Изпражнение на коша за трева



Опасност от нараняване! От съображения за сигурност преди разкачане на коша за трева двигателят с вътрешно горене трябва да се изключи.

- Откачете коша за трева. (⇒ 8.3)
- Отворете коша за трева за затварящата планка (1). Отворете горната част на коша за трева (2) и я задръжте. Обърнете назад коша за трева и го изпразнете от окосената маса.
- Затворете коша за трева.
- Закачете коша за трева. (⇒ 8.3)

12. Поддръжка

12.1 Общи указания



Опасност от нараняване!

Спазвайте указанията за безопасност в глава „За Вашата безопасност“ (⇒ 4.).

Годишна поддръжка от специализиран търговец:

Косачката трябва да се проверява веднъж годишно от специализиран търговец. STIHL препоръчва своите специализирани търговци.

12.2 Двигател с вътрешно горене

Интервал на поддръжка:

Вижте инструкцията за експлоатация на двигателя с вътрешно горене.

Общи указания:

Спазвайте указанията за обслужване и поддръжка, които можете да намерите в приложената инструкция за експлоатация на двигателя с вътрешно горене.

Особено важно за удължаване срока му на експлоатация са постоянното наличие на достатъчно количество моторно масло и редовната смяна на масления и въздушния филтри.

В инструкцията за експлоатация на двигателя с вътрешно горене ще намерите също така препоръчителните интервали за смяна на маслото, както и информация за вида и необходимото количество моторно масло.

Охлаждащите ребра трябва да се поддържат винаги чисти, за да се гарантира достатъчно охлаждане на двигателя с вътрешно горене.

12.3 Почистване на уреда

Интервал на поддръжка: След всяка употреба



Внимателното боравене с уреда го предпазва от повреда и удължава срока му на експлоатация.



Опасност от нараняване!

Изключете двигателя с вътрешно горене, извадете крайника на запалителната свещ и оставете уреда да се охлади.

Преди да поставите уреда в позиция за почистване, изпразнете резервоара за гориво (оставете двигателя да работи, докато не свърши горивото). Уредът е безопасен само с отворен дефлектор в позицията за почистване.

- Изберете най-високата степен на косене. (⇒ 8.4)
- Откачете коша за трева. (⇒ 8.3)

Позиция за почистване RM 443, RM 443 T, RM 448 PT, RM 448 T, RM 448 TX:

- Задръжте с една ръка горната част на ръкохватката (1) и отворете бързозатегателното приспособление – завъртете надолу.
- Поставете назад горната част на ръкохватката (1).
- Отворете дефлектора (2) и го задръжте.
- Вдигнете уреда отпред и го поставете в позиция за почистване, както е показано на фигурата.

Позиция за почистване RM 448 PC, RM 448 TC, RM 448 VC:

- За обръщане нагоре застанете отдясно до уреда.
- Приведете горната част на ръкохватката до най-ниското положение (до упор, фиксаторният лост не се застопорява в тази позиция). (⇒ 8.2)
- Отворете с дясната ръка дефлектора (2) и го задръжте.
- С лявата ръка обхванете конзолата и задръжте дефлектора, както е показано на фигурата. Същевременно с палеца натиснете фиксаторния лост (3) и го задръжте.
- Хванете уреда с дясната ръка за предната дръжка и бавно го наклонете назад, докато ръкохватката не опре в почвата, както е показано на фигурата.
- Отпуснете дефлектора (2) и фиксаторния лост (3) и проверете за стабилността на уреда.

Указания за почистване:

- Отстранявайте замърсяванията с малко вода, с четка или с кърпа. Почиствайте също така и ножа за косене. Никога не насочвайте водна струя към части на двигателя с вътрешно горене, уплътненията, лагерите.
- С помощта на дървена пръчка предварително отстранете заседналите остатъци от трева.
- При нужда използвайте специален почистващ препарат (напр. специалния почистващ препарат на STIHL).

12.4 Проверка на износването на ножовете



Интервал на поддръжка: Преди всяка употреба



Опасност от нараняване!

В зависимост от мястото и времето на работа ножовете се износват в различна степен. Ако използвате уреда върху пясъчлива почва или често при сухи климатични условия, ножът ще се натоварва повече и ще се износи по-бързо от обичайното. Износеният нож може да се счупи и да причини тежко нараняване. Затова указанията за поддръжка на ножовете трябва винаги да се спазват.

- Поставете косачката в позиция за почистване. (⇒ 12.3)
- Почистете ножа за косене (1).
- Поставете линия (1) на предния ръб на ножа и измерете обратното заточване **A**.

- Проверете ширината на ножа **B** с шублер (2).
- Проверете дебелината на ножа **C** на най-малко 5 места с шублер (2). Това в най-голяма степен се отнася за минималната дебелина на лопатките на ножа.

Граници на износване:

Обратно заточване **A**: < 15 mm

Ширина на ножа **B**: > 39 mm

Дебелина на ножа **C**: > 2 mm

Ножът е за подмяна,

- ако е повреден (резки или пукнатини).
- ако измерените стойности на едно или няколко места бъдат достигнати, респ. са извън допустимите граници.

Ако на косачката е монтиран доставеният като специална принадлежност мулти-нож, важат съответно други граници на износване (вж. инструкцията за експлоатация за принадлежностите).

12.5 Демонтаж и монтаж на ножа за косене



Демонтаж:

- Използвайте подходящо дървено трупче (1) за подпиране на ножа за косене (2).
- Развийте болта на ножа (3). Свалете ножа за косене (2), болта на ножа (3) и осигурителната шайба (4).

Монтаж:



Опасност от нараняване!

Ножът за косене (2) трябва да се монтира само както е показано на фигурата. Планките (7) трябва да сочат надолу, а извитите лопатки на ножа – нагоре.

Спазвайте точно предварително зададения момент на затягане на болта на ножа, тъй като от това зависи сигурното закрепване на режещия инструмент. Фиксирайте допълнително болта на ножа (3) с **Loctite 243**.

Сменяйте осигурителната шайба (4) при всеки монтаж на ножа, а болта на ножа (3) – при всяка смяна на ножа.

- Почистете контактната повърхност и втулката на ножа.
- Монтирайте ножа за косене (2) с извитите лопатки нагоре (така че да сочат към уреда). Застопоряващите зъбчета (5) върху буксата на ножа трябва да се позиционират в отворите (6) на ножа за косене.
- Използвайте подходящо дървено трупче (1) за подпиране на ножа за косене (2).
- Завийте и затегнете болта на ножа (3) с нова осигурителна шайба (4).
Момент на затягане: **60 - 65 Nm**

12.6 Наточване на ножа за косене

STIHL препоръчва ножът за косене да се дава за наточване от специалист. При неправилно наточен нож (грешен

ъгъл на заточване, дисбаланс и др.) функционирането на уреда може да се влоши.

Указания за наточване на ножа:

- Демонтирайте ножа за косене (⇒ 12.5).
- При наточване изстудете ножа за косене, например с вода. Не бива да се получава синьо оцветяване, тъй като така се намалява устойчивостта на рязане.
- Наточвайте ножа равномерно, за да избегнете вибрации поради дисбаланс.
- Спазвайте ъгъла на заточване от 30°.
- След наточване неравностите по режещия ръб се отстраняват с фина шкурка.
- Съблюдавайте границите на износване. (⇒ 12.4)

12.7 Съхранение и временно спиране от експлоатация (през зимата)

Съхранявайте уреда в сухо и затворено помещение без наличие на много прах. Уверете се, че той се намира на място, недостъпно за деца.

Отстранете евентуалните неизправности, преди да приберете уреда за съхранение. Уредът трябва винаги да се намира в състояние за безопасна експлоатация.

Преди съхранение изпразнете резервоара за гориво и карбуратора (напр. чрез работа на празен ход).

При спиране на уреда от експлоатация за по-продължително време (през зимата) спазвайте следните указания:

- Почистете внимателно всички външни части на уреда.
- Смажете с масло, съотв. грес, всички подвижни части.
- Отвийте запалителната свещ (вижте инструкцията за експлоатация на двигателя с вътрешно горене) и през отвора за запалителната свещ налейте ок. 3 см³ моторно масло в двигателя с вътрешно горене. Превъртете двигателя с вътрешно горене няколко пъти без запалителна свещ (издърпайте стартерното въже).



Опасност от пожар!

Дръжте контактния накрайник на запалителната свещ далеч от отвора за свещта поради опасност от възпламеняване.

- Отново завийте запалителната свещ (вижте инструкцията за експлоатация на двигателя с вътрешно горене).
- Сменете маслото (вижте инструкцията за експлоатация на двигателя с вътрешно горене).
- Покрийте двигателя с вътрешно горене и съхранявайте уреда в нормално положение.

13. Транспортиране

13.1 Транспортиране



Опасност от нараняване!

Преди транспортирането на уреда прочетете и спазвайте указанията в глава „За Вашата безопасност“. (⇒ 4.)

При транспортиране винаги носете подходящо защитно облекло (предпазни обувки, здрави ръкавици).

Преди повдигане, респ. транспортиране, винаги изваждайте накрайника на запалителната свещ. STIHL препоръчва от съображения за сигурност уредът да се повдига, респ. носи, само с помощта на второ лице.

Преди повдигане вземете под внимание теглото в глава „Технически данни“.

Носене на уреда

- Двама души:
Повдигайте уреда само за предната дръжка за носене (1) и за ръкохватката (3). Внимавайте винаги да има достатъчно разстояние между тялото ви (най-вече краката) и ножа за косене.
- Един човек:
Повдигайте, респ. носете, уреда с една ръка в средата на задната дръжка за носене (2), а с другата – за предната дръжка за носене (1).

Закрепване на уреда:

- Обезопасете уреда върху товарната платформа с подходящи крепежни средства.
- Затегнете въжетата, съотв. ремъците, на маркираните точки (4).

14. Опазване на околната среда



Окосената трева не бива да се изхвърля на боклука, а трябва да се компостира.

Опаковките, уредът и принадлежностите са произведени от материали, които подлежат на рециклиране, и трябва да се изхвърлят по съответния начин.

Разделното и екосъобразно изхвърляне на остатъчните материали подпомага повторната употреба на вторични суровини. Затова след изтичане на обичайния му срок на използване уредът трябва да се предаде на вторични суровини. При изхвърляне обърнете внимание на информацията в глава „Изхвърляне“ (⇒ 4.9).

Обърнете се към Вашия център за рециклиране или към Вашия специализиран търговец, за да научите как да изхвърляте правилно отпадните продукти.

15. Минимизиране на износването и предотвратяване на повреди

Важни указания за поддръжка на групата продукти

Бензинова косачка (STIHL RM)

За материални щети и физическо нараняване на хора, които са причинени поради неспазване на указанията в ръководството за експлоатация, особено по отношение на безопасността, обслужването и поддръжката, или поради употреба на неразрешени приспособления за допълнително монтиране и резервни части, фирмата STIHL не носи никаква отговорност.

Непременно спазвайте следните указания, за да предотвратите повреди или прекалено износване на вашия уред на STIHL:

1. Износващи се части

Някои части на уреда STIHL, дори и при употреба по предназначение, се износват и в зависимост от вида и продължителността на използване трябва да се подменят своевременно.

Към тях спадат:

- Нож за косене
- Кош за трева
- Клинов ремък (RM 443 T, RM 448 PC, RM 448 PT, RM 448 T, RM 448 TC, RM 448 TX, RM 448 VC)

2. Спазване на предписанията, посочени в тази инструкция за експлоатация

Използването, поддръжката и съхранението на уреда на STIHL трябва да се извършват грижливо, както е описано в тази инструкция за експлоатация. Потребителят отговаря лично за всички повреди, причинени поради неспазване на указанията за безопасност, обслужване и поддръжка.

Това в най-голяма степен се отнася за:

- неразрешени от STIHL промени по продукта;
- използване на неодобриени от STIHL горива/производствени материали (смазочни материали, бензин и моторно масло, виж данните от производителя на двигателя с вътрешно горене);
- използване на инструменти или допълнителни принадлежности, които не са позволени и не са подходящи за уреда или са с пониско качество;
- употреба на продукта не по предназначение;
- използването на уреда при спортни или състезателни мероприятия;
- вторични повреди вследствие на използването на продукта с неизправни части.

3. Дейности по поддръжката

Всички изброени в раздел „Поддръжка“ дейности трябва да бъдат извършвани редовно.

Ако тези дейности по поддръжката не могат да бъдат извършвани от самия потребител, той трябва да се обърне към специализиран търговец.

STIHL препоръчва дейностите по поддръжка и ремонт да се извършват само при специализиран търговец на STIHL.

Специализираните търговци на STIHL редовно преминават обучение и им се предоставя техническа информация.

Ако тези дейности по поддръжката не бъдат извършени, могат да възникнат повреди, за които е отговорен потребителят.

Към тях спадат най-вече:

- корозионни и други последващи повреди вследствие на неправилно съхранение;
- повреди на уреда поради употреба на резервни части с по-ниско качество;
- повреди в резултат на ненавременна или недостатъчна сервизна поддръжка, съответно повреди вследствие на дейности по поддръжка и ремонт, които не са извършени в сервизите на специализираните търговци.

16. Обичайни резервни части

Нож за косене за RM 443, RM 443 T:

6338 702 0100

Нож за косене за RM 448 PC, RM 448 PT, RM 448 T, RM 448 TC, RM 448 TX, RM 448 VC:

6358 702 0100

Болт на ножа:

9008 319 9028

Осигурителна шайба:

0000 702 6600



При смяна или монтиране на ножа за косене елементите за закрепването му (напр. болт на ножа) трябва да бъдат подменени. Резервни части могат да се закупят от специализираните търговци на STIHL.

17. ЕС Декларация за съответствие

17.1 Бензинова косачка (STIHL RM)

STIHL Tirol GmbH
Hans Peter Stihl-Straße 5
6336 Langkampfen
Австрия

декларираме, поемайки пълна отговорност, че машината

Ръчноводена косачка с двигател с вътрешно горене (STIHL RM)

Фабрична марка: STIHL
Сериен номер: 6338
Тип: RM 443.0
RM 443.0 T

Сериен номер: 6358
Тип: RM 448.0 PC
RM 448.0 PT
RM 448.0 T
RM 448.0 TC
RM 448.0 TX
RM 448.0 VC

отговаря на следните директиви на ЕО: 2011/65/EU, 2000/14/EC, 2014/30/EU, 2006/42/EC

Продуктът е разработен в съответствие със следните стандарти: EN ISO 5395-1, EN ISO 5395-2, EN 14982

За разработването и изготвянето на продуктите са приложими важещите към датата на производство версии на нормите.

Приложен метод за оценка на съответствието:
Приложение VIII (2000/14/EC)

Име и адрес на нотифицирания орган:

TÜV Rheinland LGA Products GmbH
Tillystraße 2
D-90431 Nürnberg

Комплектоване и съхранение на техническата документация:
Sven Zimmermann
STIHL Tirol GmbH

Годината на производство и машинният номер са посочени на табелката за мощността на уреда.

Измерено ниво на шума:

RM 443.0	93,0 дБ(A)
RM 443.0 T	93,0 дБ(A)
RM 448.0 PC	95,3 дБ(A)
RM 448.0 PT	95,3 дБ(A)
RM 448.0 T	95,7 дБ(A)
RM 448.0 TC	95,7 дБ(A)
RM 448.0 TX	95,3 дБ(A)
RM 448.0 VC	95,3 дБ(A)

Гарантирано ниво на шума:

RM 443.0	94 дБ(A)
RM 443.0 T	94 дБ(A)

Гарантирано ниво на шума:

RM 448.0 PC	96 дБ(А)
RM 448.0 PT	96 дБ(А)
RM 448.0 T	96 дБ(А)
RM 448.0 TC	96 дБ(А)
RM 448.0 TX	96 дБ(А)
RM 448.0 VC	96 дБ(А)

Лангкампфен,
2019-01-02 (ГГГГ-ММ-ДД)

STIHL Tirol GmbH

По зам.



Sven Zimmermann

Ръководител отдел „Конструкции и дизайн“

18. Технически данни

**RM 443.0, RM 443.0 T, RM 448.0 PC,
RM 448.0 PT, RM 448.0 T, RM 448.0 TC,
RM 448.0 TX, RM 448.0 VC:**

Двигател с вътрешно горене, вид	4-тактов двигател с вътрешно горене
Стартово устройство	Стартерно въже
Режещ блок	Ножодържач

Задвижване на ножодържача	постоянно
Момент на затягане на болта на ножа	60 - 65 Nm
Защитно приспособление	Спирачка на двигателя
Предно колело, Ø	180 мм
Задно колело, Ø	200 мм
Вместимост на коша за трева	55 л
Височина на косене	25 - 75 мм

RM 443.0, RM 443.0 T:

Сериен номер	6338
Ширина на косене:	41 см

RM 443.0:

Двигател с вътрешно горене: Производител, тип	Briggs & Stratton, Series 550 EX OHV RS
Работен обем	140 см ³
Номинална мощност при номинална честота на въртене	2,1 - 2800 kW - об./мин
Резервоар за гориво	0,8 л
Обороти на ножодържача	2800 об./мин
Колесен механизъм	не
Дължина	144 см
Ширина	49 см
Височина	109 см
Тегло	23 кг

Звукови емисии

Съгласно Директива 2000/14/ЕС:

Гарантирано ниво на шума $L_{WA,d}$ 94 дБ(А)

Съгласно Директива 2006/42/ЕС:

Ниво на шума на работното място	
L_{pA}	81 дБ(А)
Коефициент на неопределеност	
K_{pA}	2 дБ(А)

Вибрации рамо-ръка

Зададена характеристика на вибрациите съгласно EN 12096:

Измерена стойност	
a_{hw}	4,10 м/сек ²
Коефициент на неопределеност	
K_{hw}	2,05 м/сек ²
Измерване съгласно EN 20643	

RM 443.0 T:

Двигател с вътрешно горене: Производител, тип	Briggs & Stratton, Series 550 EX OHV RS
Работен обем	140 см ³
Номинална мощност при номинална честота на въртене	2,1 - 2800 kW - об./мин
Резервоар за гориво	0,8 л
Обороти на ножодържача	2800 об./мин
Колесен механизъм	1 предна скорост с плавно тръгване
Дължина	144 см
Ширина	48 см
Височина	109 см
Тегло	25 кг

Звукови емисии

Съгласно Директива 2000/14/ЕС:

Гарантирано ниво
на шума $L_{WA,d}$ 94 дБ(A)
Съгласно Директива 2006/42/ЕС:

Ниво на шума на
работното място
 L_{pA} 81 дБ(A)
Коефициент на
неопределеност
 K_{pA} 2 дБ(A)

Вибрации рамо-ръка

Зададена характеристика на
вибрациите съгласно EN 12096:

Измерена стойност
 a_{hw} 4,10 м/сек²
Коефициент на
неопределеност
 K_{hw} 2,05 м/сек²

Измерване съгласно EN 20643

RM 448.0 PC, RM 448.0 PT, RM 448.0 T, RM 448.0 TC, RM 448.0 TX, RM 448.0 VC:

Сериен номер 6358
Ширина на косене 46 см

RM 448.0 PC:

Двигател с
вътрешно горене: Briggs &
Производител, тип Stratton, Series
625
Работен обем 150 см³

Номинална
мощност при
номинална честота 2,2 - 2800
на въртене kW - об./мин

Резервоар за
гориво 0,8 л

Обороти на
ножодържача 2800 об./мин

Колесен механизъм 1 предна
скорост с
плавно
тръгване

Дължина 147 см
Ширина 50 см
Височина 113 см
Тегло 27 кг

Звукови емисии

Съгласно Директива 2000/14/ЕС:

Гарантирано ниво
на шума $L_{WA,d}$ 96 дБ(A)

Съгласно Директива 2006/42/ЕС:

Ниво на шума на
работното място
 L_{pA} 83 дБ(A)
Коефициент на
неопределеност
 K_{pA} 2 дБ(A)

Вибрации рамо-ръка

Зададена характеристика на
вибрациите съгласно EN 12096:

Измерена стойност
 a_{hw} 3,00 м/сек²
Коефициент на
неопределеност
 K_{hw} 1,50 м/сек²
Измерване съгласно EN 20643

RM 448.0 PT:

Двигател с Briggs &
вътрешно горене: Stratton, Series
Производител, тип 625

Работен обем 150 см³

Номинална
мощност при
номинална честота 2,2 - 2800
на въртене kW - об./мин

Резервоар за
гориво 0,8 л

Обороти на
ножодържача 2800 об./мин

Колесен механизъм 1 предна
скорост с
плавно
тръгване

Дължина 147 см
Ширина 50 см
Височина 111 см
Тегло 27 кг

Звукови емисии

Съгласно Директива 2000/14/ЕС:

Гарантирано ниво
на шума $L_{WA,d}$ 96 дБ(A)

Съгласно Директива 2006/42/ЕС:

Ниво на шума на
работното място
 L_{pA} 83 дБ(A)
Коефициент на
неопределеност
 K_{pA} 2 дБ(A)

Вибрации рамо-ръка

Зададена характеристика на
вибрациите съгласно EN 12096:

Измерена стойност
 a_{hw} 3,90 м/сек²
Коефициент на
неопределеност
 K_{hw} 1,95 м/сек²
Измерване съгласно EN 20643

RM 448.0 T:

Двигател с Briggs &
вътрешно горене: Stratton, Series
Производител, тип 575

Работен обем 140 см³

Номинална
мощност при
номинална честота 2,1 - 2800
на въртене kW - об./мин

Резервоар за гориво	0,8 л
Обороти на нождържача	2800 об./мин
Колесен механизъм	1 предна скорост с плавно тръгване
Дължина	147 см
Ширина	50 см
Височина	111 см
Тегло	26 кг

Звукови емисии

Съгласно Директива 2000/14/ЕС:

Гарантирано ниво на шума L_{WA_d} 96 дБ(A)

Съгласно Директива 2006/42/ЕС:

Ниво на шума на работното място L_{pA} 83 дБ(A)

Коефициент на неопределеност K_{pA} 2 дБ(A)

Вибрации рамо-ръка

Зададена характеристика на вибрациите съгласно EN 12096:

Измерена стойност a_{hw} 3,90 м/сек²

Коефициент на неопределеност K_{hw} 1,95 м/сек²

Измерване съгласно EN 20643

RM 448.0 TC:

Двигател с вътрешно горене:	Briggs & Stratton, Series 575
Производител, тип	575
Работен обем	140 см ³

Номинална мощност при номинална честота на въртене	2,1 - 2800 kW - об./мин
Резервоар за гориво	0,8 л
Обороти на нождържача	2800 об./мин
Колесен механизъм	1 предна скорост с плавно тръгване
Дължина	147 см
Ширина	50 см
Височина	113 см
Тегло	27 кг

Звукови емисии

Съгласно Директива 2000/14/ЕС:

Гарантирано ниво на шума L_{WA_d} 96 дБ(A)

Съгласно Директива 2006/42/ЕС:

Ниво на шума на работното място L_{pA} 83 дБ(A)

Коефициент на неопределеност K_{pA} 2 дБ(A)

Вибрации рамо-ръка

Зададена характеристика на вибрациите съгласно EN 12096:

Измерена стойност a_{hw} 3,50 м/сек²

Коефициент на неопределеност K_{hw} 1,75 м/сек²

Измерване съгласно EN 20643

RM 448.0 TX:

Двигател с вътрешно горене:	Briggs & Stratton, Series 550 EX OHV RS
Производител, тип	550 EX OHV RS
Работен обем	140 см ³
Номинална мощност при номинална честота на въртене	2,1 - 2800 kW - об./мин
Резервоар за гориво	0,8 л
Обороти на нождържача	2800 об./мин
Колесен механизъм	1 предна скорост с плавно тръгване
Дължина	147 см
Ширина	50 см
Височина	111 см
Тегло	26 кг

Звукови емисии

Съгласно Директива 2000/14/ЕС:

Гарантирано ниво на шума L_{WA_d} 96 дБ(A)

Съгласно Директива 2006/42/ЕС:

Ниво на шума на работното място L_{pA} 83 дБ(A)

Коефициент на неопределеност K_{pA} 2 дБ(A)

Вибрации рамо-ръка

Зададена характеристика на вибрациите съгласно EN 12096:

Измерена стойност a_{hw} 4,10 м/сек²

Коефициент на неопределеност K_{hw} 2,05 м/сек²

Измерване съгласно EN 20643

RM 448.0 VC:

Двигател с вътрешно горене:	Briggs & Stratton, Series 625
Производител, тип	625
Работен обем	150 см ³
Номинална мощност при номинална честота на въртене	2,2 - 2800 kW - об./мин
Резервоар за гориво	0,8 л
Обороти на нождържача	2800 об./мин
Колесен механизъм	Vario напред
Дължина	147 см
Ширина	50 см
Височина	113 см
Тегло	28 кг

Звукови емисии

Съгласно Директива 2000/14/ЕС:

Гарантирано ниво на шума L_{WAd} 96 дБ(A)

Съгласно Директива 2006/42/ЕС:

Ниво на шума на работното място L_{pA} 83 дБ(A)

Коефициент на неопределеност K_{pA} 2 дБ(A)

Вибрации рамо-ръка

Зададена характеристика на вибрациите съгласно EN 12096:

Измерена стойност a_{hw} 3,00 м/сек²

Коефициент на неопределеност K_{hw} 1,50 м/сек²

Измерване съгласно EN 20643

18.1 REACH

REACH е краткото наименование на Регламент на ЕО относно регистрацията, оценката и разрешаването на химични вещества.

За информация относно изпълнението на изискванията съгласно Регламента REACH (ЕО) 1907/2006 вж. www.stihl.com/reach.

19. Откриване на повреди

✘ евентуално се обърнете към специализиран търговец – STIHL препоръчва своя специализиран търговец.

📖 Вижте инструкцията за експлоатация на двигателя с вътрешно горене.

Неизправност:

Двигателят с вътрешно горене не стартира

Възможна причина:

- Лостът за спиране на двигателя не е задействан.
- В резервоара няма гориво;
- Горивото в резервоара е замърсено, старо или с лошо качество.
- Въздушният филтър е замърсен.
- Накрайникът на запалителната свещ е изваден от нея; кабелът за запалване не е закрепен добре към накрайника.

- Запалителната свещ е опушена или повредена; неправилно разстояние между електродите.

Отстраняване:

- Натиснете лоста за спиране на двигателя към ръкохватката и го задръжте. (⇒ 9.2)
- Долейте гориво; почистете тръбопровода за горивото. ✘
- Винаги използвайте прясно марково гориво, безоловен бензин; почистете карбуратора. ✘
- Почистете въздушния филтър. ✘
- Поставете накрайника на запалителната свещ; проверете връзката между кабела за запалване и накрайника. ✘
- Почистете запалителната свещ или я подменете; регулирайте разстоянието между електродите. ✘

Неизправност:

Затруднено стартиране или отслабване мощността на двигателя с вътрешно горене.

Възможна причина:

- Корпусът на косачката е запушен.
- Косене с прекалено ниска степен на косене, съотв. с прекалено висока скорост на водене на косачката спрямо височината на косене.
- Вода в резервоара за гориво и в карбуратора; карбураторът е запушен.
- Резервоарът за гориво е замърсен.
- Въздушният филтър е замърсен.
- Запалителната свещ е опушена.

Отстраняване:

- Почистете корпуса на косачката (извадете контактния накрайник на запалителната свещ!). (⇒ 12.3)

- Настройте по-висока степен на косене, съотв. намалете скоростта на бутане. (⇒ 8.4)
- Изпразнете резервоара за гориво, почистете тръбопровода за гориво и карбуратора. ✘
- Почистете резервоара за гориво. ✘
- Почистете въздушния филтър. ✘
- Почистете запалителната свещ. ✘

Неизправност:

Двигателят с вътрешно горене загрява много.

Възможна причина:

- Много ниско ниво на маслото в двигателя с вътрешно горене.
- Охлаждащите ребра са замърсени.

Отстраняване:

- Сменете моторното масло. (⇒ 7.6)
- Почистете охлаждащите ребра. (⇒ 12.3)

Неизправност:

Силни вибрации по време на работа.

Възможна причина:

- Неизправен режещ блок.
- Хлабаво закрепване на двигателя с вътрешно горене.

Отстраняване:

- Проверете и ако се налага, ремонтирайте ножа за косене, ножовия вал и закрепването на ножа (болта на ножа и осигурителната шайба). ✘
- Затегнете болтовете за закрепване на двигателя с вътрешно горене. ✘

Неизправност:

Некачествено косене, тревата пожълтява

Възможна причина:

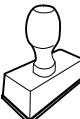
- Ножът за косене е тъп или износен

Отстраняване:

- Заточете ножовете за косене или ги подменете (⇒ 12.6), (⇒ 12.5), ✘

20. Сервизен план

20.1 Потвърждение за предаване


<p>Модел: _____</p> <p>Сериен номер:</p> <table border="1"> <tr> <td> </td><td> </td><td> </td><td> </td><td> </td><td> </td><td> </td><td> </td><td> </td><td> </td> </tr> </table> <p>дата: </p> <div style="text-align: center;">  </div> <p>Следващ сервиз</p> <p>дата: </p>										


20.2 Потвърждение за извършена сервизна поддръжка



Дайте тази инструкция за експлоатация на вашия специализиран търговец на STIHL при извършване на дейности по поддръжката.

Той ще потвърди изпълнението на сервизните дейности в полетата на формуляра.

 Сервизната поддръжка е извършена на

 Дата на следваща сервизна поддръжка

Austatud klient!

Meil on hea meel, et otsustasite STIHLi kasuks. Me töötame välja ja valmistamine oma tooteid tippkvaliteedis vastavalt klientide vajadustele. Nii tekivad ka äärmuslikul koormamisel kõrge töökindlusega tooted.

STIHL tähendab tippkvaliteeti ka teeninduses. Meie esindused tagavad kompetentse nõustamise, instrueerimise ja ulatusliku tehnilise toe.

Me täname Teid usalduse eest ja soovime Teile oma STIHLi toote meeldivat kasutamist.

Dr Nikolas Stihl

TÄHTIS! LUGEGE ENNE KASUTAMIST LÄBI JA HOIDKE ALLES.

1. Sisukord

Selles kasutusjuhendis	294		
Üldine teave	294		
Juhised selle kasutusjuhendi lugemiseks	294		
Seadme kirjeldus	294		
Ohutusnõuded	295		
Üldine teave	295		
Tankimine – bensiini käitlemine	296		
Riietus ja varustus	296		
Seadme transport	296		
Enne töötamist	297		
Töötamise ajal	297		
Hooldus ja remont	299		
Hoiulepanek pikemate tööpauside korral	300		
Jäätmekäitlus	300		
Sümbolite kirjeldus	300		
Tarnekomplekt	301		
Seadme töökorda seadmine	301		
Üldine teave	301		
Ühepoolse juhtraua paigaldamine (RM 448 PC, RM 448 TC, RM 448 VC)	301		
Kahepoolse juhtraua paigaldamine (RM 443, RM 443 T, RM 448 PT, RM 448 T, RM 448 TX)	302		
Murukogumiskorvi kokkupanemine	302		
Starteri trossi paigaldamine ja eemaldamine	302		
Käitusaine ja mootoriõli	302		
Juhtelemendid	303		
Ühepoolse juhtraua reguleerimine (RM 448 PC, RM 448 TC, RM 448 VC)	303		
		Kahepoolse juhtraua ülemise osa ümberkeeramise (RM 443, RM 443 T, RM 448 PT, RM 448 T, RM 448 TX)	303
		Murukogumiskorv	303
		Keskne niitmiskõrguse reguleerimine	303
		Täitumuse näidik	304
		Turvaseadised	304
		Kaitseseadised	304
		Mootori pidurduskäepide	304
		Juhised töötamiseks	304
		Kasutaja tööala	304
		Seadme käivitamine	304
		Sisepõlemismootori käivitamine	304
		Sisepõlemismootori seiskamine	305
		Veoaam (RM 443 T, RM 448 PC, RM 448 PT, RM 448 T, RM 448 TX, RM 448 TC, RM 448 VC)	305
		Murukogumiskorvi tühjendamine	305
		Hooldus	305
		Üldine teave	305
		Sisepõlemismootor	305
		Seadme puhastamine	306
		Tera kulumise kontrollimine	306
		Niitmistera eemaldamine ja paigaldamine	306
		Niitmistera teritamine	307
		Hoiulepanek ja seismapanek (talvepaus)	307
		Transport	307
		Transport	307
		Keskkonnakaitse	308
		Kulumise minimeerimine ja kahjude vältimine	308
		Tavalised varuosad	309
		EL-i vastavusdeklaratsioon	309

Bensiinimootoriga muruniidukid (STIHL RM)	309
Tehnilised andmed	310
REACH	312
Tõrkeotsing	312
Teenindusplaan	313
Üleandmise kinnitus	313
Teeninduse kinnitus	313

2. Selles kasutusjuhendis

2.1 Üldine teave

See kasutusjuhend on tootja **originaalkasutusjuhend** EÜ direktiivi 2006/42/EC mõistes.

STIHL töötab pidevalt oma tootevaliku edasiarendamisega – seepärast jätame endale õiguse muuta tarnekomplektide kuju, tehnikat ja varustust. Sellest tulenevalt ei ole selle brošüüri andmete ja jooniste alusel õigust esitada kahjunõudeid.

Selles kasutusjuhendis on võib-olla kirjeldatud ka mudeleid, mis igas riigis saadaval ei ole.

See kasutusjuhend on autoriõigusega kaitstud. Kõik õigused on reserveeritud, sh õigus paljundamisele, tõlkimisele ja elektrooniliste süsteemidega töötlemisele.

2.2 Juhised selle kasutusjuhendi lugemiseks

Pildid ja tekstid kirjeldavad kindlaid käsitsusvõtteid.

Selles kasutusjuhendis selgitatakse kõiki seadmel paiknevaid piltsümboliteid.

Vaatesuund

Vaatesuuna „**vasak**” või „**parem**” kasutamisel kasutusjuhendis: kasutaja seisab seadme taga ja vaatab sõidusuunas ettepoole.

Viide peatükile

Lisaselgitusteks viitavad nooled vastavale peatükile ja alapeatükile. Siin on näide, kuidas viidatakse peatükile: (⇒ 4.)

Tekstilõikude märgistamine

Kirjeldatud juhised võivad olla märgistatud nii, nagu on kujutatud alljärgnevatel näidetes.

Käsitsusvõtted, mis nõuavad kasutaja sekkumist:

- keerake polt (1) kruvikeeraja abil välja, vajutage hooba (2) ...

Üldised loendid:

- toote kasutamine spordiüritustel või võistlustel

Eriti tähtsad tekstid

Eriti tähtsad tekstilõigud on tähistatud allpool kirjeldatud sümbolitega, et neid kasutusjuhendis eraldi esile tõsta.



Oht!

Õnnetuste ja raskete kehavigastuste oht inimestele. Nõutakse või keelatakse teatud kindlat käitumisviisi.



Hoiatus

Inimeste vigastamise oht! Teatud käitumine väldib võimalikke või tõenäolisi vigastusi.



Ettevaatust!

Kergeid vigastusi või materiaalset kahju saab teatud käitumisviisiga vältida.



Märkus

Teave seadme paremaks kasutamiseks ja võimalike käsitsusvigade vältimiseks.

Tekstid koos pildiviidetega

Seadme kasutamist selgitavad pildid leiata kasutusjuhendi algusest.

Kaamerasümbol on pildilehekülgedel olevate piltide sidumiseks vastava tekstiosaga kasutusjuhendis.



3. Seadme kirjeldus



- 1 Mootori pidurduskäepide
- 2 Veoajami hoob (RM 443 T, RM 448 PC, RM 448 PT, RM 448 T, RM 448 TX, RM 448 TC, RM 448 VC)
- 3 Vario-ajami hoob (RM 448 VC)
- 4 Juhtraua ülemine osa
- 5 Starteri tross
- 6 Kiirpinguti (RM 443, RM 443 T, RM 448 PT, RM 448 T, RM 448 TX)
- 7 Juhtraua alumine osa (RM 443, RM 443 T, RM 448 PT, RM 448 T, RM 448 TX)
- 8 Sisepõlemismootor
- 9 Mürasummuti koos kaitsevõrega
- 10 Süüteküünla pistik

- 11 Eesmine käepide
- 12 Esiratas
- 13 Tagaratas
- 14 Murukogumiskorv
- 15 Tagumine käepide
- 16 Niitmiskõrguse reguleerimishoob
- 17 Andmesilt masina numbriga
- 18 Juhtraua konsool (RM 448 PC, RM 448 TC, RM 448 VC)
- 19 Juhtraua fikseerimishoob (RM 448 PC, RM 448 TC, RM 448 VC)

4. Ohutusnõuded

4.1 Üldine teave



Seadmega töötamisel tuleb kindlasti järgida õnnetuse ennetamise eeskirju.



Enne esmast kasutuselevõttu tuleb kogu kasutusjuhend tähelepanelikult läbi lugeda. Hoidke kasutusjuhend

hilisemaks kasutamiseks hoolikalt alles.

Järgige käsitsemis- ja hooldusjuhiseid, mille leiate sisepõlemismootori kasutusjuhendist.

Need ettevaatusabinõud on teie turvalisuseks hädavajalikud, kuid see loend ei ole lõplik. Kasutage seadet arukalt ja vastutustundlikult ning mõelge sellele, et seadme kasutaja on vastutav teiste inimestega juhtuvate õnnetuste ja neile tekitatud varalise kahju eest.

Tutvuge seadme käsitsemise komponentide ja kasutamisega.

Seadet tohivad kasutada ainult isikud, kes on kasutusjuhendi läbi lugenud ja oskavad seadet kasutada. Enne esmast kasutuselevõttu peab kasutaja püüdma hankida asjatundlikku ja praktilist juhendust. Müüja või mõni teine asjatundja peab kasutajale selgitama, kuidas seadet ohutult kasutada.

Juhendamise ajal tuleb kasutajale selgitada, et seadmega töötamisel on vaja olla äärmiselt hoolikas ja keskendunud.

Ka selle seadme nõuetekohasel kasutamisel säilivad alati teatud jääkriskid.



Eluohtlik lämbumise tõttu!

Lapsed võivad pakendiga mängides lämbuda. Ärge lubage lapsi pakendi lähedusse.

Seadet koos kõigi lisaseadmetega tohib anda või laenata ainult neile isikutele, kes on saanud kasutamiseks vajalikud juhised või tunnevad juba seda mudelit ja selle kasutamist. Kasutusjuhend kuulub seadme juurde ja see tuleb alati koos seadmega edasi anda.

Kasutage seadet vaid siis, kui olete välja puhanud ning heas füüsilises ja vaimses seisundis. Kui teie tervis pole korras, peaksite oma arstilt küsima, kas tohite seadmega töötada. Pärast alkoholi, narkootikumide või reaktsioonikiirust vähendavate ravimite tarvitamist ei tohi seadmega töötada.

Mitte kunagi ei tohi lubada seadet kasutada lastel, piiratud kehaliste, sensoorsete või vaimsete võimetega või ebapiisavate kogemuste ja teadmistega isikutel, kes ei ole suunistega tuttavad.

Ärge mitte kunagi lubage seadet kasutada lastel või alla 16-aastastel noortel. Kohalikes määrustes võib olla kindlaks määratud kasutaja miinimumvanus.

Seade on mõeldud kasutamiseks kodus majapidamises.

Tähelepanu – õnnetusoht!

Muruniiduk on ette nähtud ainult muru niitmiseks. Seadme kasutamine muul otstarbel on keelatud ja võib olla ohtlik või põhjustada seadmele kahju.

Kasutaja vigastusohu tõttu ei tohi muruniidukit kasutada järgmisteks töödeks (loend pole täielik):

- pöösaste ja hekkide pügamiseks;
- ronitaimede kasvude lõikamiseks;
- muru hooldamiseks katuseaedades ja rõdukastides;
- puu- ja hekilõikmete hekseldamiseks ja peenestamiseks;
- kõnniteede puhastamiseks (puhtaks imemiseks, puhumiseks);
- pinnakonaruste, nt mutimullahunnikute, tasandamiseks;
- lõikejätmete transportimiseks, välja arvatud selleks ettenähtud murukogumiskorvis.

Turvalisuse kaalutlustel on keelatud igasugune seadme muutmine (erand on STIHLi lubatud tarvikute ja lisaseadmete nõuetekohane paigaldamine) – see muudab garantii kehtetuks. Teavet lubatud lisatarvikute kohta saate oma STIHLi müügiesindusest.

Eriti on keelatud igasugune seadme muutmine, mis muudab sisepõlemismootori või elektrimootori võimsust või pöörlemiskiirust.

Seadmega ei tohi transportida esemeid, loomi ega inimesi, eriti lapsi.

Seadme kasutamisel haljasaladel, parkides, spordiväljakutel, tänavate ääres ning põllu- ja metsamajanduslikes ettevõtetes tuleb olla eriti ettevaatlik.



Tähelepanu!

Tervisekahjustuse oht

vibratsiooni tõttu! Liiga suur vibratsioonikoormus võib

põhjustada vereringe- või närvikahjustusi, eriti vereringehäirega inimestel. Pöörduge arsti poole, kui tekivad sümptomid, mis võivad olla põhjustatud vibratsioonist. Sümptomid, mis tekivad eelkõige sõrmedes, kätes või randmetes (mittetäielik loend):

- tundetus,
- valu,
- lihasnõrkus,
- naha värvuse muutumine,
- ebameeldiv sügelus.

Töötamise ajal hoidke juhtraust kahe käega ette nähtud kohtadest kinni, aga mitte kramplikult.

Tööaega plaanides vältige pikema aja vältel mõjuvaid suuri koormusi.

4.2 Tankimine – bensiini käitlemine



Eluohlik!

Bensiin on mürgine ja kergsüttiv.

Hoidke bensiini ainult selleks ette nähtud ja kontrollitud mahutites (kanistrites). Sulgege paagi ja kanistri kork alati nõuetekohaselt ja keerake kõvasti kinni. Katkised korgid tuleb turvalisuse kaalutlustel välja vahetada.

Ärge kunagi kasutage joogipudeleid vms töövedelike, nt käitusaine, hoidmiseks või jäätmekäitlusse suunamiseks. See võib inimesi, eriti lapsi, eksitada ja nad võivad nendest juua.



Hoidke bensiin eemal lahtisest tulest, püsileegist, soojusallikatest ja teistest süüteallikatest. Ärge suitsetage!

Tankige ainult vabas õhus ja ärge tankimise ajal suitsetage.

Enne tankimist lülitage sisepõlemismootor välja ja laske jahtuda.

Bensiini tuleb lisada enne sisepõlemismootori käivitamist. Kui sisepõlemismootor töötab või seade on kuum, ei tohi paagi korki avada ega bensiini juurde valada.

Ärge täitke käitusainepaaki üle!

Selleks et käitusainepaagis oleks käitusainel ruumi paisuda, ärge kunagi täitke käitusainepaaki üle alumise täiteserva.

Peale selle jälgige kasutusjuhendi andmeid sisepõlemismootori puhastamise kohta.

Kui bensiini läks maha, tehke bensiiniga määrduvad pinnad enne sisepõlemismootori käivitamist puhtaks. Ärge keerake süüdet enne, kui bensiiniaurud on haihtunud (pühkige kuivaks).

Mahaläinud käitusaine tuleb alati ära pühkida.

Kui bensiini on läinud riidele, siis tuleb need ära vahetada.



Ärge kunagi hoidke seadet hoones, kui paagis on bensiini. Eralduvad bensiiniaurud võivad puutuda kokku lahtise tule või sädemetega ning süttida.

Kui paaki on vaja tühjendada, tuleb seda teha vabas õhus.

4.3 Riietus ja varustus



Töötamise ajal tuleb alati kanda kinniseid, sügava mustriga jalatseid. Ärge kunagi töötage paljajalu ega näiteks sandaalides.



Kandke seadme hooldus- ja puhastustööde ning transportimise ajal alati lisaks ka kinniseid jalanõusid ning siduge lahtised juuksed kokku ja kaitske neid nt pearäti, mütsi või muu seesugusega.



Niitmistera teritamisel tuleb kanda sobivaid kaitseprille. Seadet tohib kasutusele võtta vaid siis, kui kantakse pikki pükse ja liibuvaid riideid.

Ärge kunagi kandke selliseid riideid, mis võivad seadme liikuvate osade (tööhoobade) külge kinni jääda; ärge kandke ka ehteid, lipsu ega salle.



Töö tekitab müra. Müra võib kuulmist kahjustada. Kandke kuulmiskaitset.

4.4 Seadme transport

Töötage alati kinnastega, et vältida teravate ja kuumade masinaosadega enda vigastamist.

Ärge transportige töötava sisepõlemismootoriga seadet. Enne transportimist lülitage sisepõlemismootori välja, oodake, kuni tera jääb seisma ja eemaldage süüteküünla pistik.

Transportige seadet ainult jahtunud sisepõlemismootoriga ja ilma käitusaineta.

Kasutage seadme pealelaadimisel sobivaid abivahendeid (rampe, tõsteseadmeid).

Kinnitage seade ja koos sellega transportitavad seadme osad (nt murukogumiskorv) laadimispinnale piisava hulga kinnitusvahenditega (rihmad, trossid jne).

Tõstmisel ja kandmisel vältige kokkupuudet niitmisteraga.

Järgige andmeid peatükis „Transport”. Seal on kirjeldatud, kuidas seadet tõsta või kinni siduda. (⇒ 13.)

Seadme transportimisel järgige kohalikke eeskirju, eelkõige neid, mis puudutavad laadimisalustele paigutatud seadmete ja esemete transportimist.

4.5 Enne töötamist

Tuleb tagada, et seadmega töötavad vaid isikud, kes kasutusjuhendit tunnevad.

Enne seadme kasutuselevõttu kontrollige, et käitusainesüsteemis ei oleks lekkeid, eelkõige nähtavate osade juures, näiteks paak, paagikork, voolikuühendused. Lekete või kahjustuse korral ei tohi sisepõlemismootorit käivitada – **tuleoht!** Laske seade enne uuesti kasutuselevõtmist müügiesinduses ära parandada.

Järgige sisepõlemis- või elektrimootoriga töötavate aiatööriistade kasutamisel kommunaaleeskirjades lubatud tööaegu.

Kontrollige kogu maa-ala, kus seadet kasutama hakatakse, ja eemaldage kõik kivid, kaikad, traadid, kondid ja muud võõrkehad, mis võivad seadme alt üles paiskuda. Kõrges rohus võivad takistused (nt kännud, puujuured) kergesti märkamatuks jääda.

Seetõttu märgistage enne seadmega töö alustamist kõik murupinnal olevad võõrkehad (takistused), mida pole võimalik eemaldada.

Enne seadme kasutamist tuleb kõik kulunud ja defektsed osad välja vahetada. Asendage seadmel olevad loetamatuks muutunud või kahjustatud ohu- ja hoiatussildid uutega. Teile lähimas STIHL müügiesinduses on saadaval varuklepsud ja kõik muud varuosad.

Enne seadme kasutamist kontrollige süüteküünla pistiku tugevat ja kindlat asetust.

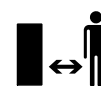
Seadet tohib kasutada vaid töökorras olekus. Alati enne kasutamist kontrollige,

- kas seade on nõuetekohaselt monteeritud;
- kas löikeinstrument ja kogu löikeplokk (niitmistera, kinnitusdetailid, niiduseadme korpus) on laitmatus seisukorras; eriti tuleb jälgida, kas kinnitus on tugev ning kas on tekkinud kahjustusi (sälke või pragusid) ja kulumist;(⇒ 12.4)
- kas paagikaas on nõuetekohaselt peale keeratud;
- kas paak ja kütusega kokkupuutuvad osad ning paagikaas on laitmatus seisukorras;

- kas turvaseadmed (nt mootori pidurduskäepide, väljaviskeava luuk, korpus, juhtraud, kaitsevõre) on laitmatus seisukorras ja funktsioneerivad nõuetekohaselt;
- kas murukogumiskorv on kahjustusteta ja tervenisti külge monteeritud; kahjustatud murukogumiskorvi ei tohi kasutada;
- kas õlipaagi kinnituspolt on nõuetekohaselt peale keeratud.

Tehke vajaduse korral kõik vajalikud tööd või pöörduge müügiesindusse. STIHL soovib ettevõtte STIHL müügiesindust.

4.6 Töötamise ajal



Ärge töötage seadmega, kui ohupiirkonnas on loomi või inimesi (eriti lapsi).

Seadmele paigaldatud lülitus- ja kaitseadiseid ei tohi eemaldada ega mittetoimivaks muuta. Eelkõige on keelatud mootori pidurduskäepidemete fikseerimine juhtraua külge (n t sidumine).



Tähelepanu – vigastusoht!

Ärge pange käsi ega jalgu pöörlevate detailide juurde ega alla. Ärge kunagi puudutage pöörlevat tera. Hoidke end alati väljaviskeavast eemal.

Hoidke alati juhtraua abil reguleeritud ettenähtud ohutut vahet. Juhtraud peab olema alati nõuetekohaselt kokkumonteeritud ja seda ei tohi muuta. Ärge kunagi võtke kasutusse ümberpööratud juhtrauga seadet.

Ärge kunagi kinnitage esemeid (nt tööriideid) juhtraua külge.

Töötage vaid päevavalges või hea tehisvalgustusega.

Ärge töötage seadmega vihma ja äikese ajal ning eriti siis, kui valitseb pikselöögihoht.

Märjal pinnal suureneb õnnetuste oht (oksapurusti halvem seisukindlus). Tuleb töötada eriti ettevaatlikult, et vältida libisemahakkamist. Võimalusel vältige seadme kasutamist märjal pinnal.

Heitgaasid



Mürgistuse tõttu eluohtlik!

Lõpetage kohe töö, kui teil esineb iiveldust, peavalu, nägemishäireid (nt ahenev vaateväli), kuulmishäireid, peeringlust, vähenenud keskendumisvõimet. Need sümptomid võivad olla põhjustatud muuhulgas liiga kõrgest heitgaasikontsentratsioonist.



Seade hakkab mürgiseid heitgaase eraldama kohe, kui sisepõlemismootor käivitub. Need gaasid sisaldavad

vesinikmonooksiidi – mürgist, värvitult ja lõhnatut gaasi – ning teisi kahjulikke aineid. Sisepõlemismootorit ei tohi kunagi käivitada kinnistes või halva ventilatsiooniga ruumides.

Käivitamine

Käivitage seade ettevaatlikult, järgides juhiseid peatükis „Seadme kasutuselevõtt” (⇒ 11.). Juhiste järgi käivitamine vähendab vigastamisohtu.

Vigastusoht!

Kui starteri tross lööb kiiresti tagasi, tõmmatakse käsi ja käevars kiiremini sisepõlemismootorini, kui on võimalik

starteri trossi lahti lasta. See tagasilööök võib põhjustada luumurde, muljumisi ja nikastusi.

Jälgige käivitamisel, et vahe jalgade ja lõikeinstrumendi vahel oleks piisavalt suur.

Käivitamisel ei tohi seadet kallutada.

Käivitamisel ei tohi veoajami hooba vajutada.

Ärge käivitage sisepõlemismootorit, kui väljaviskekanal pole kaetud väljaviskeava luugi või murukogumiskorviga.

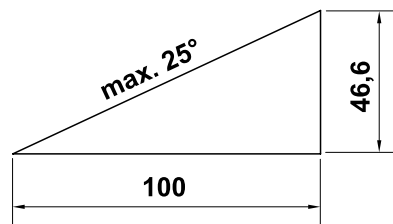
Töötamine kallakutel

Töödelge kallakuid alati ristisuunas, mitte kunagi aga pikisuunas. Kui muruniiduki kasutaja peaks pikisuunas niitmisel kaotama kontrolli seadme üle, võib töötava niiduseadmega muruniiduk temast üle veereda.

Olge eriti ettevaatlik kallakul sõidusuunda muutes.

Kallakutel töötades jälgige, et teil oleks kindel jalgealune, ja vältige seadmega töötamist liiga järskudel kallakutel.

Turvalisuse kaalutlustel ei tohi masinat kasutada üle 25° (46,6%) tõusunurgaga kallakutel. **Vigastusoht!** 25° kaldenurk vastab vertikaalsele tõusule 46,6 cm 100 cm horisontaalpikkuse puhul.



Sisepõlemismootori piisava õlitamise tagamiseks tuleb seadme kasutamisel kallakul kindlasti järgida sisepõlemismootoriga kaasasolevas kasutusjuhendis toodud andmeid.

Töötamine



Vigastusoht!

Ärge pange käsi ega jalgu kunagi pöörlevate detailide peale, alla või juurde.



Ärge püüdke tera kontrollida, kui muruniiduk töötab. Ärge kunagi avage väljaviskeava luuki ega

eemaldage murukogumiskorvi, kui niitmistera töötab. Pöörlev tera võib tekitada vigastusi.

Juhtige seadet alati kõndimistempos – seadmega töötades ei tohi kunagi joosta. Seadme kiirel lükkamisel suureneb vigastusoht komistamise, libisemise vms tõttu.

Olge eriti ettevaatlik, kui pöörate seadet ümber või tõmbate seda enda poole.

Komistamisoht!

Kasutage seadet eriti ettevaatlikult, kui töötate kallakute, astangute, kraavide ja tiikide lähedal. Hoidke selliste ohtlike kohtadega piisavat vahet.

Murukamaras olevatest objektidest (muruniisutusseadmed, postid, veekraanid, vundamendid, elektrikaablid jne) tuleb mööda sõita. Ärge kunagi sõitke üle selliste objektide.



STOP

Arvestage sellega, et lõikeinstrument töötab pärast väljalülitamist täieliku seisumajäämiseni veel mõned sekundid.

Lülitage sisepõlemismootor välja, oodake, kuni tööseade on seisma jäänud ja tõmmake süüteküünla pistik välja,

- kui lahkute seadme juurest või kui see jääb järelevalveta;
- enne, kui tankima hakkate; tankige vaid siis, kui sisepõlemismootor on jahtunud;

Tuleoht!

- enne, kui hakkate blokeeringuid kõrvaldama või ummistusi väljaviskekanalist eemaldama;
- enne seadme tõstmist või kandmist;
- enne seadme transportimist;
- enne töid niitmistera juures;
- enne seadme kontrollimist, puhastamist või selle juures muude tööde tegemist (nt juhtraua ümberpöörämist);
- kui muruniiduk on sattunud võrkehale või hakkab ebatavaliselt tugevalt vibreerima. Sellisel juhul kontrollige, ega seade, eriti selle löikeplokk (tera, teravõll, tera kinnitus) ole kahjustada saanud, ning tehke vajalikud remonttööd, enne kui seadme uuesti käivitate ja sellega tööle hakkate.



Vigastusoh!

Tugev vibreerimine viitab harilikult rikkele.

Muruniidukit ei tohi mingil juhul kasutada, kui väntvõll või niitmistera on kahjustatud või kõveraks paindunud.

Kui teil puuduvad vajalikud teadmised, laske vajalikud remonditööd teha spetsialistil – STIHL soovib ettevõtte STIHL müügiesindust.

Lülitage sisepõlemismootor välja,

- kui lükkate seadet töödeldavale muruplatsile või sealt ära;
- enne kui lükkate seadme pinnale, kus ei kasva muru;
- enne kui avate väljaviskeava luugi või eemaldate murukogumiskorvi;
- kui peate seadet transportimiseks kallutama;
- enne kui reguleerite niitmiskõrgust.

4.7 Hooldus ja remont

Enne puhastamist-, paigaldus-, parandus- ja hooldustöid.

- Jätke seade seisma tasasele ja kõvale aluspinnale.
- Lülitage sisepõlemismootor välja ja laske sellel jahtuda.
- Tõmmake süüteküünla pistik välja.



Tähelepanu – vigastusoh!

Hoidke süüteküünla pistik süüteküünlast eemal, kuna juhuslik säde võib põhjustada tulekahju või elektrilöögi. Süüteküünla ja süüteküünlapistikute tahmatu kontakt võib põhjustada soovimatu sisepõlemismootori käivitamise.



Vigastusoh! niitmisteraga!

Starteri trossist tõmmates hakkab tööseade pöörlema. Jälgige starteri trossi tõmmates alati, et niitmistera oleks teie kätest ja jalgest piisavalt kaugel.

Enne tööde alustamist sisepõlemismootori, väljalasketoru ja mürasummuti juures laske seadmel jahtuda. Siin võivad tekkida temperatuurid 80 °C ja üle selle. **Põletusoh!**

Otsene kokkupuude mootoriõliga võib olla ohtlik, mootoriõli ei tohi ka maha loksuda. STIHL soovib lasta mootoriõli lisada või õlivahetust teha ettevõtte STIHL müügiesinduses.

Puhastamine

Pärast kasutamist puhastage kogu seadet hoolikalt. (⇒ 12.3)

Enne seadme asetamist puhastusasendisse tühjendage kütusepaak (nt sõitke tühjaks).

Lükake kinnijäänud murujäägid puupulgaga lahti. Puhastage niiduki alumine pool harja ja veega.

Ärge kasutage kunagi survepesurit ega peske seadet voolava vee all (nt aiavoolikuga).

Ärge kasutage agressiivseid puhastusvahendeid. Sellised puhastusvahendid võivad kahjustada plast- ja metalloosi ning vähendada STIHLi seadme töökindlust.

Tuleohtu vältimiseks hoidke jahutusõhuavade, jahutusribide ja väljalasketoru piirkond murust, heinakõrtest, samblast, lehtedest või väljatilkuvast õlist (määrdest) puhtad.

Hooldustööd

Teostada tohib vaid selles kasutusjuhendis kirjeldatud hooldustöid, kõik muud tööd laske teha müügiesinduses.

Kui teil puuduvad vajalikud teadmised ja abivahendid, pöörduge **alati** müügiesindusse.

STIHL soovib lasta hooldustöid ja remonti teha ainult STIHLi müügiesinduses.

STIHLi müügiesinduste töötajaid koolitatakse regulaarselt ja nende käsutuses on tehniline teave.

Kasutage ainult tööriistu, tarvikuid ja lisaseadmeid, mille on STIHL selle seadme jaoks lubanud, või tehniliselt samaväärseid osi, muidu võib tekkida inimeste vigastamise või seadme kahjustamise oht. Küsimuste korral pöörduge müügiesindusse.

STIHLi originaaltööriistad, -tarvikud ja -varuosad on oma omadustelt optimaalselt seadme ning kasutaja nõudmistega kooskõlastatud. STIHLi originaalvaruosi võib ära tunda STIHLi varuosanumbri järgi, kirjast STIHL ning vajaduse korral ka STIHLi varuosamärgistusest. Väikestel detailidel võib olla ka ainult märgistus.

Turvalisuse kaalutlustel tuleb kütust juhtivaid detaile (käitusainevoolikut, käitusainekraani, käitusainepaaki, paagikorki, ühendusi jne) korrapäraselt kahjustuste ja lekete suhtes kontrollida ning vajaduse korral spetsialistil välja vahetada (STIHL soovib ettevõtte STIHL müügiesindust).

Hoidke hoiatuste ja juhistega kleepsud alati puhtad ning loetavad. Kahjustatud või kaduma läinud kleepsud tuleb asendada uute originaalsiltidega STIHLi müügiesindusest. Kui mõni detail asendatakse uuega, jälgige, et uus osa saaks samasuguse klepsu.

Lõiketerade juures teostage töid ainult paksude töökinnastega ja äärmiselt ettevaatlikult.

Et seade oleks turvalises töökorras, hoolitsege selle eest, et kõik mutrid, poldid ja kruvid, eriti tera polt, oleksid korralikult kinni.

Kontrollige kogu seadet ja murukogumiskorvi regulaarselt, eriti aga seadme pikemaks ajaks hoiulepanekul (nt enne talvepauzi), et ei esineks kulumist ega kahjustusi. Vahetage kulunud või

kahjustatud osad turvalisuse kaalutlustel kohe välja, et seade oleks alati ohutu ja töökorras.

Ärge kunagi muutke sisepõlemismootori standardseadistust ega keerake seda üle.

Kui hooldustööde ajaks eemaldati detaile või kaitseadiseid, siis tuleb need kohe nõuetekohaselt tagasi panna.

4.8 Hoiulepanek pikemate tööpauside korral

Enne kui seadme kinnisesse ruumi paigutate, laske sisepõlemismootoril maha jahtuda.

Hoidke tühjendatud käitusainepaagiga seadet ja käitusainevaru lukustatavas ja hästi õhustatavas ruumis.

Tagage, et seade oleks kaitstud volitamata kasutuse eest (nt lapsed).

Ärge kunagi hoidke seadet hoones, kui paagis on bensiini. Eralduvad bensiiniaurud võivad puutuda kokku lahtise tule või sädemetega ning süttida.

Kui paaki on vaja tühjendada, nt seismaapanekul enne talvepauzi, siis peaks kütusepaagi tühjendamine toimuma vabas õhus (nt tühjaks sõites).

Seade tuleb enne hoiulepanekut (nt talvepauzi) põhjalikult puhastada.

Seadme hoiulepanekul peab olema süüteküünla pistik välja tõmmatud.

Hoidke seadet töökorras.

Laske seadmel täielikult jahtuda, enne kui selle kinni katate.

4.9 Jäätmekäitlus

Kõik jääproduktid, nagu vanaõli ja käitusaine, kasutatud määrdeained, filtrid, akud ja muud sellised kuluosad võivad inimesi, loomi ja keskkonda kahjustada ning tuleb nõuetekohaselt jäätmekäitlusse anda.

Pöörduge oma jäätmekäitluskeskuse poole või oma müügiesindusse, et teada saada, kuidas jäätmeid nõuetekohaselt käidelda. STIHL soovib ettevõtte STIHL müügiesindust.

Tagage, et oma aja ära töötanud seade antakse nõuetekohaselt vastavasse jäätmekäitlusse. Tehke seade enne jäätmekäitlusse andmist kasutuskõlbmatuks. Õnnetuste vältimiseks eemaldage süütekaablid, tühjendage paak ja laske mootoriõli välja.

Vigastusohu niitmisteraga!

Ärge jätke kunagi ka oma aja äraelanud muruniidukit järelevalveta. Tagage, et masinat ja eriti niitmistera hoitakse lastele kättesaamatus kohas.

5. Sümbolite kirjeldus



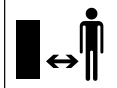
Tähelepanu!

Enne kasutuselevõttu lugege kasutusjuhendit.

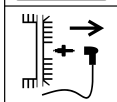




Vigastusoh!
Hoidke kolmandad isikud ohutsoonist eemal.



Vigastusoh!
Enne töid löikeinstrumendi juures, enne hooldus- ja puhastustöid tõmmake süüteküünla pistik välja.



Vigastusoh!
Ärge pange käsi ega jalgu terade lähedale!



Löikeinstrument töötab pärast väljalülitamist veel mõne sekundi jooksul edasi (sisepõlemismootori pidur / tera pidur).



RM 443, RM 443 T, RM 448 PT, RM 448 T, RM 448 TX:
Sisepõlemismootori käivitamine



RM 443, RM 443 T, RM 448 PT, RM 448 T, RM 448 TX:
Sisepõlemismootori seiskamine



RM 443 T, RM 448 PT, RM 448 T, RM 448 TX:
Veojami sisselülitamine



RM 448 PC, RM 448 TC, RM 448 VC:
Sisepõlemismootori käivitamine



RM 448 PC, RM 448 TC, RM 448 VC:
Sisepõlemismootori seiskamine



RM 448 PC, RM 448 TC, RM 448 VC:
Veojami sisselülitamine



RM 448 VC:
Sõidukiiruse suurendamine.
(⇒ 11.3)



6. Tarnekomplekt



Nr	Nimetus	tk
A	põhiseade	1
B	murukogumiskorvi ülemine osa	1
C	murukogumiskorvi alumine osa	1
D	polt	2
–	kasutusjuhend	1

Nr	Nimetus	tk
–	kasutusjuhend sisepõlemismootor	1

RM 443, RM 443 T, RM 448 PT, RM 448 T, RM 448 TX:

Nr	Nimetus	tk
E	kiirpinguti	2
F	polt	2
G	kaablijuhik	2
H	kaitsehülsid	2

RM 448 PC, RM 448 TC, RM 448 VC:

Nr	Nimetus	tk
I	hülss	1
J	polt	1
K	seib	2
L	mutter	1

7. Seadme töökorda seadmine

7.1 Üldine teave



Vigastusoh!
Järgige peatükis „Ohutusnõuded“ toodud ohutusjuhiseid (⇒ 4.).

- Kõikide kirjeldatud tööde teostamiseks asetage seade horisontaalsele, tasasele ja kõvale pinnale.

7.2 Ühepoolse juhtraua paigaldamine (RM 448 PC, RM 448 TC, RM 448 VC)



- **1** Asetage hüls (I) juhtrauas (1) olevasse auku.

- **2** Paigaldage mõlemad seibid (K) juhtraua hülsile, kumerus sissepoole (1).
- **3** Hoidke hülsist (I) ja seibidest (K) kinni ja paigaldage koos juhtrauga (1) juhtraua konsoolil (2) külge.
- **4** Pistke kruvi (J) väljastpoolt sissepoole läbi juhtraua (1) ja juhtraua konsoolil (2) olevate aukude.
- **5** Keerake mutter (L) lahti.
- **6** Keerake kruvi (J) kinni.
Pöördemoment: **18 - 22 Nm**

Trosside paigaldamine:

- RM 448 PC, RM 448 TC:
Asetage mootori piduri tross (3) ja veoajami tross (4) joonisel näidatu kohaselt trossikanalitesse (6) juhtkonsoolil ja juhtraual.
RM 448 VC:
Asetage mootori piduri tross (3), veoajami tross (4) ja vario-ajami tross (5) joonisel näidatu kohaselt trossikanalitesse (6) juhtkonsoolil ja juhtraual.

7.3 Kahepoolse juhtraua paigaldamine (RM 443, RM 443 T, RM 448 PT, RM 448 T, RM 448 TX)



- Pistke kaitsehülsid (H) mõlema juhtraua alumisse ossa (1).
- Pistke polt (F) läbi kaablijuhiku (G) augu.
- Hoidke juhtraua ülemist ossa (2) juhtraua alumistest osadest (1).
- Vasak külg:
Kinnitage kaablijuhik (G) trossi külge mootoripiduril (3).

- Parem külg (RM 443 T, RM 448 PT, RM 448 T, RM 448 TX):
Kinnitage kaablijuhik (G) trossi külge veoajamil (4).
- Pistke polt (F) mõlemal küljel seestpoolt väljapoole läbi puuraukude.
- Kruvige kiirpinguti (E) kruvidele (F) (see peaks umbes ühe keermekäigu võrra välja jääma) ja pöörake üles.
- Kontrollige, kas paigaldus on õige:
Kiirpingutid (E) peavad olema nii kõvasti kinni keeratud, et need oleksid tihedalt vastu juhtrauda ning juhtraua ülemine ja alumine osa oleksid tugevasti ühendatud.
Kui juhtraud pole tugevasti paigaldatud või kiirpingutid ei asetse õigesti, avage kiirpingutid ja keerake, kuni need on tugevasti kinnitatud.

7.4 Murukogumiskorvi kokkupanemine



- Paigaldage murukogumiskorvi ülemine osa (B) murukogumiskorvi alumisele osale (C). Jälgige õiget asendit juhikutes.
- Vajutage poldid (D) seestpoolt läbi selleks ettenähtud avade.
- Laske murukogumiskorvi ülemisel osal (B) kerge surve abil murukogumiskorvi alumise ossa sisse kinnitada.
- Murukogumiskorvi paigaldamine.
(⇒ 8.3)

7.5 Starteri trossi paigaldamine ja eemaldamine



Paigaldamine

- Tõmmake süüteküünla pistik sisepõlemismootorilt.
- Suruge mootori pidurduskäepide (1) juhtraua poole ja hoidke selles asendis.
- Tõmmake starteri tross (2) aeglaselt välja.
- Laske mootori pidurduskäepide (1) lahti ja kinnitage starteri tross (2) trossikanalisse (3).
- Asetage süüteküünla pistik kohale.

Eemaldamine

- Tõmmake süüteküünla pistik sisepõlemismootorilt.
- Eemaldage starteri tross (2) trossikanalist (3).

7.6 Käitusaine ja mootoriõli



- **! Vältige seadme kahjustamist!**
Enne esimest käivitamist valage mootoriõli sisse. Kasutage mootoriõli lisamiseks või tankimiseks sobivat täitmise abivahendit (nt lehtrit).

Mootoriõli

Tarviliku mootoriõli ja õli täitekoguse leiate sisepõlemismootori kasutusjuhendist. Kontrollige regulaarselt täitumust (vt sisepõlemismootori kasutusjuhendist). Vältida tuleks liiga madalat ja liiga kõrget õlitaset.



Enne sisepõlemismootori kasutuselevõttu keerake õlipaagi kork nõuetekohaselt kinni.

Käitusaine

Soovitus:

värske kvaliteetkäitusaine;
pliiivaba bensiin.

Andmed käitusaine kvaliteedi

(oktaanarvu) kohta leiate

sisepõlemismootori kasutusjuhendist.



8. Juhtelemendid

8.1 Ühepoolse juhtraua reguleerimine (RM 448 PC, RM 448 TC, RM 448 VC)



Pigistusoh!

Fikseerimishoova liigutamisel hoidke ühe käega juhtraua ülemise osa kõige kõrgemast kohast. Ärge kunagi hoidke sõrmi juhtraua ja konsooli vahel (fikseerimishoova ülerval ja all).

Juhtraua kokkupööramine

Transpordiasend (seadme puhastamiseks, ruumisäästlikuks transportimiseks ja hoiulepanekuks)

- Võtke starteri tross küljest ära. (⇒ 7.5)
- Hoidke ühe käega juhtraua ülemise osa (2) kõige kõrgemast kohast ja tõstke veidi (vabastage).
- Suruge fikseerimishoob (1) alla ja hoidke selles asendis.
- Pöörake juhtraud (2) ette kokku.

Töoasend (seadme lükkamine)

- Pöörake juhtraud (2) tahapoole lahti ja jälgige, et juhtraud täielikult fikseeruks.
- Kinnitage starteri tross. (⇒ 7.5)

Kõrguse reguleerimine

Ühepoolse juhtraua kõrgust saab 2 astme võrra reguleerida.

- Hoidke ühe käega juhtraua ülemise osa (2) kõige kõrgemast kohast ja tõstke veidi (vabastage).
- Suruge fikseerimishoob (1) alla ja hoidke selles asendis.
- Seadke juhtraud (2) soovitud asendisse.
- Laske fikseerimishoob (1) lahti ja jälgige, et juhtraud jälle täielikult kinnituks.

8.2 Kahepoolse juhtraua ülemise osa ümberkeeramine (RM 443, RM 443 T, RM 448 PT, RM 448 T, RM 448 TX)



Pigistusoh!

Kiirlukkude vabastamisel võib juhtraua ülemine osa kokku pöörduda. Seetõttu hoidke alati juhtraua ülemise osa (2) kõige kõrgemast kohast kinni, kui kiirlukud avate.

Transpordiasend (seadme puhastamiseks, ruumisäästlikuks transportimiseks ja hoiulepanekuks)

- Võtke starteri tross küljest ära. (⇒ 7.5)
- Avage kiirpinguti (1) – pöörake alla – ja pöörake juhtraua ülemine osa (2) ette kokku.

Töoasend (seadme lükkamine)

- Pöörake juhtraua ülemine osa (2) tahapoole lahti ja hoidke ühe käega kinni.
- Sulgege kiirpinguti (1) (pöörake üles).
- Kinnitage starteri tross. (⇒ 7.5)

8.3 Murukogumiskorb



Paigaldamine

- Avage väljaviskeava luuk (1) ja hoidke selles asendis.
- Kinnitage murukogumiskorb (2) kinnituskonksudega seadme tagaküljel asetsevatesse kinnitustesse (3).
- Sulgege väljaviskeava luuk (1).

Eemaldamine

- Avage väljaviskeava luuk (1) ja hoidke selles asendis.
- Tõstke murukogumiskorb (2) üles ja eemaldage suunaga tahapoole.
- Sulgege väljaviskeava luuk (1).

8.4 Keskne niitmiskõrguse reguleerimine



Seadistada saab 6 erinevat niitmiskõrgust.

Aste 1 = 25 mm

Aste 6 = 75 mm

Niitmiskõrguse reguleerimine

- Võtke käepidemest (1) kinni, tõmmake hoob (2) üles ja hoidke selles asendis.

- Reguleerige soovitud niitmiskõrgus, liigutades seadet üles ja alla. Antud hetke niitmiskõrgust saab vaadata niitmiskõrguse näidikult (3) märgistuse (4) abil.
- Laske fikseerimishoob (2) lahti ja laske sellel kinnituda.

8.5 Täitumuse näidik



Murukogumiskorvi ülemisele osale on paigaldatud täitumuse näidik (1).

Õhuvool, mis tekib niitmistera pöörlemisega ja täidab murukogumiskorvi, tõstab täitumuse näidikut (2): murukogumiskorv täitub niidetud rohuga.

Kui murukogumiskorv täitub, väheneb õhuvool ja täitumuse näidik langeb (3).

- Tühjendage täidetud murukogumiskorv (⇒ 11.4).

9. Turvaseadised

Masin on ohutuks tööks ja kaitseks asjatundmatu kasutamise vastu varustatud mitmete turvaseadmetega.



Vigastusoht!

Kui ühel turvaseadmetest esineb rike, siis ei tohi masinat kasutada. Pöörduge müügiesindusse, STIHL soovitab STIHLi müügiesindust.

9.1 Kaitseseadised

Muruniidukil on kaitseseadised, mis ei lase niitmistera ja väljapaisatava niidetud rohuga kogemata kokku puutuda. Nendeks on korpus, väljaviskeava luuk, murukogumiskorv ja korralikult paigaldatud juhtraud.

9.2 Mootori pidurduskäepide

Muruniidukil on mootori pidurdamis-seadis.

Sisepõlemismootor seiskub, kui vabastate töö ajal mootori pidurduskäepideme. Sisepõlemismootor ja tera jäävad seisma 3 sekundi jooksul.



Vigastusoht.

Kui tera liigub kauem, siis lõpetage seadme kasutamine ja viige see müügiesindusse.

Järeltöötamisaja mõõtmine

Pärast sisepõlemismootori käivitamist hakkab tera pöörlema ja on kuulda tuulemüra. Järeltöötamisaeg vastab tuulemüra kestusele pärast sisepõlemismootori seiskamist, seda saab stopperiga mõõta.

10. Juhised töötamiseks

Ilusa ja tiheda muru saab,

- kui niidetakse alati aeglasel sõidukiirusel;
- kui niidetakse tihti ja seda ei lasta pikaks kasvada;
- kui kuuma ja kuiva ilmaga muru liiga lühikeseks ei niideta, kuna muidu kõrvetab päike muru ära ja see muutub inetuks;
- kui niidetakse terava niitmisteraga – seetõttu laske niitmistera regulaarselt teritada (müügiesinduses);
- kui niitmissuunda korrapäraselt vahetada.

10.1 Kasutaja tööala



- Kasutaja peab käivitamisel ja käiva elektrimootori ajal alati viibima ohutuse tagamiseks juhtraua taga olevas tööalas. Hoidke alati juhtraua abil reguleeritud ettenähtud ohutut vahet.
- Muruniidukit peab korraga kasutama alati ainult üks inimene, kõrvalised isikud ei tohi ohualas viibida. (⇒ 4.)

11. Seadme käivitamine

11.1 Sisepõlemismootori käivitamine



- Ärge käivitage sisepõlemismootorit kõrges rohus. Raskendatud käivitamise korral reguleerige niitmiskõrgus kõrgemaks. Pärast käivitamist töötab sisepõlemismootor tänu reguleeritud püsikiirusele alati optimaalsel töökiirusel.
- Suruge mootori pidurduskäepide (1) juhtraua poole ja hoidke selles asendis.
- Tõmmake starteri tross (2) aeglaselt kuni takistuseni välja. Seejärel tõmmake tugevalt ja kiiresti käepikkuse ulatuses. Viige starteri tross (2) aeglaselt tagasi, et see saaks uuesti kokku rulluda.
- Korra ke toimingut, kuni sisepõlemismootor käivitub.

11.2 Sisepõlemismootori seiskamine



- Sisepõlemismootori seiskamiseks laske mootori pidurduskäepide (1) lahti. Sisepõlemismootor ja niitmistera jäävad pärast lühikest järeltöötamisega seisma.

11.3 Veoajam (RM 443 T, RM 448 PC, RM 448 PT, RM 448 T, RM 448 TX, RM 448 TC, RM 448 VC)



Muruniidukid RM 443 T, RM 448 PC, RM 448 PT, RM 448 T, RM 448 TX, RM 448 TC ja RM 448 VC on varustatud veoajamiga.

RM 443 T, RM 448 PC, RM 448 PT, RM 448 T, RM 448 TX, RM 448 TC:

Üks veokiirus edasi (ühekäiguline ülekanne)

RM 448 VC:

Sõidu ajal sujuvalt reguleeritav veokiirus edasi (Vario-ajam)

Veojami sisselülitamine:

- Käivitage sisepõlemismootor. (⇒ 11.1)
- Tõmmake veojami hooba (1) juhtraua poole ja hoidke selles asendis. Veojam lülitub sisse ja muruniiduk hakkab edaspidi liikuma.



Vältige masina kahjustamist!

Veojami hoob tuleb alati täielikult välja lükata (kuni piirikuni), et vältida ülekandel kaudseid kahjustusi.

Veokiiruse reguleerimine (RM 448 VC):



Vältige masina kahjustamist!

Muutke Vario-ajami hoova (2) asendit ainult töötava sisepõlemismootori korral.

- Sõidukiiruse suurendamine
Lükake Vario-ajami hooba (2) sõidu ajal ettepoole.
- Sõidukiiruse vähendamine
Tõmmake Vario-ajami hooba (2) sõidu ajal tahapoole.



Veojami väljalülitamine:

- Laske veojami hoob (1) lahti. Veojam lülitub välja ja muruniiduk jääb seisma. Sisepõlemismootor töötab edasi.

11.4 Murukogumiskorvi tühjendamine



Vigastusohut!

Murukogumiskorvi lahtihaakimise ajaks tuleb sisepõlemismootor turvalisuse tagamiseks seisata.

- Eemaldage murukogumiskorv. (⇒ 8.3)
- Avage murukogumiskorvi kinnituslapats (1). Pöörake murukogumiskorvi ülemine osa (2) üles ja hoidke selles asendis. Pöörake murukogumiskorv tahapoole ümber ja tühjendage see.
- Sulgege murukogumiskorv.
- Paigaldage murukogumiskorv. (⇒ 8.3)

12. Hooldus

12.1 Üldine teave



Vigastusohut!

Järgige peatükis „Ohutusnõuded” toodud ohutusjuhiseid (⇒ 4.).

Iga-aastane hooldus müügiesinduses

Muruniidukit tuleks kord aastas lasta müügiesinduses kontrollida. STIHL soovib STIHLi müügiesindust.

12.2 Sisepõlemismootor

Hooldusvälp:

vaata sisepõlemismootori kasutusjuhendist.

Üldised juhised

Järgige käsitemis- ja hooldusjuhiseid, mille leiata kaasasolevast sisepõlemismootori kasutusjuhendist.

Pika tööea huvides on eriti oluline, et alati oleks piisavalt õli ning et mootori õli- ja õhufiltrit vahetataks korrapäraselt.

Soovitavad õlivahetusvälbad ning teavet mootoriõli ja õli täitekoguse kohta leiata samuti sisepõlemismootori kasutusjuhendist.

Jahutusribid tuleb alati puhtana hoida, et tagada sisepõlemismootorile piisav jahutus.

12.3 Seadme puhastamine



Hooldusvälp: pärast igit kasutamist

Hoolikas käsitlemine kaitseb seadet kahjustuste eest ja pikendab selle kasutusiga.



Vigastusohht!

Seisake sisepõlemismootor, laske seadmel jahtuda ja tõmmake süüteküünla pistik välja.

Enne seadme viimist puhastusasendisse tühjendage kütusepaak (sõitke tühjaks). Seade seisab puhastusasendis kindlalt vaid siis, kui väljaviskeava luuk on avatud.

- Valige kõrgeim niitmistaste. (⇒ 8.4)
- Eemaldage murukogumiskorv. (⇒ 8.3)

Puhastusasend RM 443, RM 443 T, RM 448 PT, RM 448 T, RM 448 TX:

- Hoidke juhtraua ülemist osa (1) kinni ja avage kiirpinguti – pöörake alla.
- Seadke juhtraua ülemine osa (1) tahapoole.
- Avage väljaviskeava luuk (2) ja hoidke selles asendis.
- Tõstke seadet eestpoolt ja viige puhastusasendisse, nagu on joonisel näidatud.

Puhastusasend RM 448 PC, RM 448 TC, RM 448 VC:

- Üles tõmbamiseks seiske seadme paremal pool.
- Viige juhtraua ülemine osa kõige madalamale astmele (kuni lukustumiseni, fikseeritud hoob ei lukustu selles asendis). (⇒ 8.2)

- Avage väljaviskeava luuk (2) parema käega ja hoidke selles asendis.
- Haarake vasaku käega joonise kohaselt konsoolist ja hoidke väljaviskeava luuki lahti. Suruge samal ajal fikseerimishoob (3) pöidlaga alla ja hoidke selles asendis.
- Haarake seade parema käega eesmisest käepidemest ning kallutage aeglaselt nii palju taha, kuni juhtraud on joonise kohaselt maas.
- Laske väljaviskeava luugist (2) ja lukustushoovast (3) lahti ning kontrollige, kas seade seisab kindlalt.

Puhastamisinfo.

- Eemaldage mustus vähesee, harja või lapiga. Puhastage eriti hoolikalt niitmistera ja dokkimisjaama. Veejuga ei tohi mingil juhul suunata sisepõlemismootori osadele, tihenditele ega laagritele.
- Enne lükake kinnijäänud murujäägid puupulgaga lahti.
- Kui vaja, kasutage spetsiaalset puhastusvahendit (nt STIHLi oma).

12.4 Tera kulumise kontrollimine



Hooldusvälp: enne iga kasutust



Vigastusohht!

Terad kuluvad erinevalt, olenevalt kasutuskohast ja -kestusest. Kui kasutate seadet liivasel pinnasel või sageli kuivades tingimustes, siis kulub tera keskmisest kiiremini. Kulunud tera võib murduda ja rasked vigastusi tekitada. Seetõttu tuleb niitmistera hooldusjuhistest alati kinni pidada.

- Kallutage muruniiduk puhastusasendisse üles. (⇒ 12.3)
- Puhastage niitmistera (1).
- Asetage joonlaud (1) tera eesmisele servale ja mõõtke tagasilihvi **A**.
- Kontrollige tera laiust **B** nihkmõõdikuga (2).
- Kontrollige tera tugevust **C** vähemalt 5 kohast nihkmõõdikuga (2). Minimaalne paksus peab olema olema eriti tera tiivikute piirkonnas.

Kulumispiirid

Tagasilihv **A**: < 15 mm

Tera laius **B**: > 39 mm

Tera paksus **C**: > 2 mm

Vahetage tera välja,

- kui see on kahjustunud (sälgud, mõrad);
- kui mõõdetud väärtused saavutatakse ühes või enamas kohas või asuvad väljaspool lubatud piire.

Kui muruniidukile on paigaldatud erivarustusena saadaolev multitera, kehtivad ka vastavalt teistsugused kulumispiirid (vt tarvikute kasutusjuhendit).

12.5 Niitmistera eemaldamine ja paigaldamine



Demonteerimine:

- Kasutage sobivat puuklotsi (1), et niitmistera (2) toetada.
- Tera poldi (3) väljakeeramine. Eemaldage niitmistera (2), tera polt (3) ja tugiseib (4).

Paigaldamine:



Vigastusoh!

Niitmistera (2) tohib paigaldada ainult nii, nagu joonisel näidatud. Lapatsid (7) peavad olema suunatud alla ja tera kaardus tiivikud üles.

Tera poldi ettenähtud pöördemomendist tuleb täpselt kinni pidada, kuna sellest sõltub lõikeinstrumendi kinnituse tugevus. Kinnitage tera polt (3) lisaks vahendiga **Loctite 243**.

Kinnitusseibi (4) tuleb vahetada iga kord tera paigaldamisel, tera kruvi (3) iga kord niitmistera vahetamisel.

- Puhastage tera kinnituskoht ja pesa.
- Paigaldage niitmistera (2) kaardus tiivikutega ülespoole (niiduseadme poole). Tera pesa kinnituskonksud (5) tuleb asetada niitmistera aukudesse (6).
- Kasutage sobivat puuklotsi (1), et niitmistera (2) toestada.
- Keerake tera kruvi (3) koos uue kinnitusseibiga (4) peale ja kinni. Pöördemoment **60 - 65 Nm**

12.6 Niitmistera teritamine

STIHL soovib lasta niitmistera teritada vastaval spetsialistil. Valesti teritatud tera (vale teritusnurga, ebaühtlane teritus jms) korral halveneb seadme talitlus.

Teritamisyjuhend

- Niitmistera eemaldamine. (⇒ 12.5)

- Niitmistera tuleb teritamisel jahutada, nt veega. Tera ei tohi siniseks värvuda, siis väheneb teravus.
- Tasakaalutuse tõttu tekkiva vibratsiooni vältimiseks teritage terad ühtlaselt.
- Teritusnurgast 30° tuleb kinni pidada.
- Vajaduse korral eemaldage pärast teritamist lõikeservadelt teritusjäädgid peene lihvimispeberiga.
- Jälgige kulumispiire. (⇒ 12.4)

12.7 Hoiulepanek ja seismapanek (talvepaus)

Hoidke seadet kuivas, suletud, tolmuvabas ruumis. Veenduge, et seda hoitakse väljaspool laste tegevusulatust.

Enne hoiulepanemist kõrvaldage võimalikud rikked. Seade peab olema alati töökindlas olekus.

Enne hoiulepanekut laske kütus kütusepaagist välja ja tühjendage karburaator (nt tühjaks sõites).

Seadme pikemaks ajaks seismapanekul (talvepaus) tuleb lisaks arvestada järgmiste punktidega.

- Puhastage hoolikalt seadme kõik välimised osad.
- Määrige kõiki liikuvaid osi korralikult õli või määrdeainega.
- Keerake süüteküünal välja (vt sisepõlemismootori kasutusjuhendit) ja valage süüteküünlaava kaudu sisepõlemismootorisse u 3 cm³ mootoriõli. Pöörake sisepõlemismootorit paar korda ilma süüteküünlata (tõmmake starteri trossist).



Tuleoh!

Hoidke süüteküünla pistikut süttimisohu tõttu süüteküünlaavast eemal.

- Keerake süüteküünal sisse tagasi (vt sisepõlemismootori kasutusjuhendit).
- Vahetage õli (vt sisepõlemismootori kasutusjuhendit).
- Katke sisepõlemismootor kinni ja pange seade hoiule normaalses asendis.

13. Transport

13.1 Transport



Vigastusoh!

Enne transportimist lugege peatükki Ohutusnõuded. (⇒ 4.)

Kandke transportimisel alati sobivat kaitseriietust (kaitsejalanõusid, tugevaid kindaid).

Enne tõstmist või transportimist tõmmake alati süüteküünla pistik välja. STIHL soovib turvalisuse tagamiseks kasutada seadme tõstmisel või kandmisel alati teise inimese abi.

Enne seadme tõstmist vaadake selle kaalu peatükist Tehnilised andmed.

Seadme kandmine

- Kaks inimest
Tõstke seadet eranditult vaid eesmisest käepidemest (1) ja juhtrauast (3). Jälgige alati, et niitmistera oleks teie kehast, eelkõige kätest ja jalgest piisavalt kaugel.
- Üks inimene
Tõstke või kandke seadet, hoides ühe käega transpordikäepideme tagumisest osast (2) ja teise käega selle eesmisest osast (1).

Seadme kinnitamine

- Kinnitage seade laadimispinnaile sobivate kinnitusvahenditega.
- Kinnitage trossid või rihmad märgistatud kohtadesse (4).

14. Keskkonnavastavus



Mahaniidetud muru ei ole prügi, see tuleb kompostida.

Pakendid, seade ja tarvikud on valmistatud taaskasutatavatest materjalidest ning tuleb

vastavalt jäätmekäitlusele suunata.

Materjalijääkide keskkonnateadlik käitlemine soodustab ressursside taaskasutamist. Sellepärast tuleb seade pärast tavapärase kasutusaja lõppu viia korduvkasutusega materjalide kogumiskohta. Jäätmekäitluse suunamisel järgige peatükis „Jäätmekäitus“ toodud andmeid (⇒ 4.9).

Pöörduge oma jäätmekäitluskeskuse poole või oma müügiesindusse, et teada saada, kuidas jäätmeid nõuetekohaselt käidelda.

15. Kulumise minimeerimine ja kahjude vältimine

Olulised juhised tootegrupi tehniliseks korrashoiuks ja hoolduseks

Bensiinimootoriga muruniidukid (STIHL RM)

Ettevõtte STIHL välistab igasuguse vastutuse materiaalsete kahjude ja inimete vigastuste eest, mis on tekkinud selles kasutusjuhendis toodud juhiste eiramise tõttu, eriti neid, mis puudutavad ohutust, kasutamist ja hooldust, või mis on tekkinud mittelubatud detailide või varuosade kasutamise tõttu.

Palun järgige kindlasti järgmisi olulisi juhiseid, et vältida STIHLi seadme kahjustusi ja liigset kulumist:

1. Kuluosad

Mõni STIHLi seadme osa kulub ka sihipärasel kasutamisel ning need tuleb kasutamise viisi ja kestuse järgi õigel ajal välja vahetada.

Nende hulka kuuluvad muu hulgas järgmised:

- Niitmistera
- murukogumiskorv
- Kiilrihm (RM 443 T, RM 448 PC, RM 448 PT, RM 448 T, RM 448 TC, RM 448 TX, RM 448 VC)

2. Selle kasutusjuhendi nõuete järgimine

STIHLi seadet tuleb kasutada, hooldada ja hoiustada hoolikalt, nagu on kirjeldatud selles kasutusjuhendis. Kõigi kahjude eest, mis tulenevad ohutus-, käsitsemis- ja hooldusjuhiste eiramisest, vastutab kasutaja ise.

See kehtib eriti:

- ettevõtte STIHL poolt mittelubatud muudatuste tegemisel tootele;
- ettevõtte STIHL poolt mittelubatud käitusaine kasutamise kohta (määrdeained, bensiin ja mootoriõli, vt sisepeõlemismootori tootja andmetest).
- instrumentide või tarvikute kasutamise kohta, mis ei ole seadme jaoks lubatud või sellele sobivad või on madala kvaliteediga;
- toote mittesihipärase kasutamise kohta;
- toote kasutamisel spordiüritustel või võistlustel;
- defektsete komponentidega toote edasikasutamisel tekkinud kahjude korral.

3. Hooldustööd

Kõiki peatükis „Hooldus“ nimetatud töid tuleb teha regulaarselt.

Kui kasutaja ise ei saa neid hooldustöid teha, tuleb lasta need müügiesinduses teha.

STIHL soovib lasta hooldustöid ja remonti teha ainult STIHLi müügiesinduses.

STIHLi müügiesinduste töötajaid koolitatakse regulaarselt ja nende kasutuses on tehniline teave.

Kui need tööd tegemata jäetakse, võivad tekkida kahjud, mille eest vastutab kasutaja.

Nende hulka kuuluvad:

- korrosioon ja muud kahjustused vale hoiustamise tõttu

- seadme kahjustused madala kvaliteediga varuosade kasutamise tõttu
- kahjustused hilinenud või ebapiisava hoolduse tõttu, või kahjustused hooldus- või remonttööde tõttu, mida ei tehtud müügiesinduse töökodades.

16. Tavalised varuosad

Niitmistera RM 443, RM 443 T:

6338 702 0100

Niitmistera RM 448 PC, RM 448 PT, RM 448 T, RM 448 TC, RM 448 TX, RM 448 VC:

6358 702 0100

Tera polt:

9008 319 9028

Tugiseib:

0000 702 6600



Niitmistera kinnituselemendid (nt tera polt) tuleb tera vahetamisel või paigaldamisel välja vahetada. Varuosad on saadaval ettevõtte STIHL müügiesinduses.

17. EL-i vastavusdeklaratsioon

17.1 Bensiinimootoriga muruniidukid (STIHL RM)

STIHL Tirol GmbH
Hans Peter Stihl-Straße 5
6336 Langkampfen
Austria

tunnistab omal vastutusel, et mootor

käitsi juhitud sise põlemismootoriga muruniiduk (STIHL RM)

Kaubamärk: STIHL
Seerianumber: 6338
Tüüp: RM 443.0
RM 443.0 T

Seerianumber: 6358
Tüüp: RM 448.0 PC
RM 448.0 PT
RM 448.0 T
RM 448.0 TC
RM 448.0 TX
RM 448.0 VC

on kooskõlas järgmiste EÜ-direktiividega: 2011/65/EU, 2000/14/EC, 2014/30/EU, 2006/42/EC

Toode on välja töötatud kooskõlas järgmiste standarditega: EN ISO 5395-1, EN ISO 5395-2, EN 14982

Toodete arendamisel ja tootmisel kehtivad tootmiskuupäeval kehtivad standardite versioonid.

Kohaldatud vastavushindamise meetod: lisa VIII (2000/14/EC)

Asjaomase nimetatud asutuse nimi ja aadress:

TÜV Rheinland LGA Products GmbH
Tillystraße 2
D-90431 Nürnberg

Tehnilise dokumentatsiooni koostamine ja säilitamine:
Sven Zimmermann
STIHL Tirol GmbH

Valmistusaasta ja masina seerianumbri leiate seadme tüübisildilt.

Mõõdetud müratase:

RM 443.0	93,0 dB(A)
RM 443.0 T	93,0 dB(A)
RM 448.0 PC	95,3 dB(A)
RM 448.0 PT	95,3 dB(A)
RM 448.0 T	95,7 dB(A)
RM 448.0 TC	95,7 dB(A)
RM 448.0 TX	95,3 dB(A)
RM 448.0 VC	95,3 dB(A)

Garanteeritud müratase:

RM 443.0	94 dB(A)
RM 443.0 T	94 dB(A)
RM 448.0 PC	96 dB(A)
RM 448.0 PT	96 dB(A)
RM 448.0 T	96 dB(A)
RM 448.0 TC	96 dB(A)
RM 448.0 TX	96 dB(A)
RM 448.0 VC	96 dB(A)

Langkampfen,
2019-01-02 (AAAA-KK-PP)

STIHL Tirol GmbH

Volitatud isik:

Sven Zimmermann

Konstruktiosioniosakonna juhataja

18. Tehnilised andmed

**RM 443.0, RM 443.0 T, RM 448.0 PC,
RM 448.0 PT, RM 448.0 T, RM 448.0 TC,
RM 448.0 TX, RM 448.0 VC:**

Sisepõlemismootor, liik	4-taktiline sisepõlemismootor
Käivitusseadis	trosskäivitus
Lõikeinstrument	lattvikat
Lattvikati ajam	pidev
Tera poldi pöördemoment	60 - 65 Nm
Turvaseadis	mootoripidur
Esiratta Ø	180 mm
Tagaratta Ø	200 mm
Murukogumiskorvi täitekogus	55 l
Niitmiskõrgus	25 - 75 mm

RM 443.0, RM 443.0 T:

Seerianumber	6338
Niitmislaius:	41 cm

RM 443.0:

Sisepõlemismootor: tootja, tüüp	Briggs & Stratton, Series 550 EX OHV RS
Töömaht	140 ccm
Nimivõimsus nimipöörlemiskiirusel	2,1 - 2800 kW - p/min
Kütusepaak	0,8 l
Lattvikati pöörlemiskiirus	2800 p/min
Veojam	ei
Pikkus	144 cm
Laius	49 cm
Kõrgus	109 cm

Kaal 23 kg

Müraheide

Direktiivi 2000/14/EC kohaselt:

Garanteeritud mürarõhutase L_{WA_d} 94 dB(A)

Direktiivi 2006/42/EC kohaselt:

Mürarõhutase töökohal L_{pA} 81 dB(A)
Ebastabiilsus K_{pA} 2 dB(A)

Kohtvibratsiooniga

Vibratsioonitase standardi EN 12096 kohaselt

Mõõdetud väärtus a_{hw} 4,10 m/s²

Ebastabiilsus K_{hw} 2,05 m/s²

Mõõtmine EN 20643 kohaselt

RM 443.0 T:

Sisepõlemismootor: tootja, tüüp Briggs & Stratton, Series 550 EX OHV RS

Töömaht 140 ccm
Nimivõimsus 2,1 - 2800 kW - p/min
nimipöörlemiskiirusel
Kütusepaak 0,8 l

Lattvikati pöörlemiskiirus 2800 p/min

Veojam 1
sujuvkäivitusega edaspidikäik

Pikkus 144 cm
Laius 48 cm
Kõrgus 109 cm
Kaal 25 kg

Müraheide

Direktiivi 2000/14/EC kohaselt:

Garanteeritud mürarõhutase L_{WA_d} 94 dB(A)

Direktiivi 2006/42/EC kohaselt:

Mürarõhutase töökohal L_{pA} 81 dB(A)
Ebastabiilsus K_{pA} 2 dB(A)

Kohtvibratsiooniga

Vibratsioonitase standardi EN 12096 kohaselt

Mõõdetud väärtus a_{hw} 4,10 m/s²

Ebastabiilsus K_{hw} 2,05 m/s²

Mõõtmine EN 20643 kohaselt

**RM 448.0 PC, RM 448.0 PT, RM 448.0 T,
RM 448.0 TC, RM 448.0 TX,
RM 448.0 VC:**

Seerianumber 6358
Niitmislaius 46 cm

RM 448.0 PC:

Sisepõlemismootor: tootja, tüüp Briggs & Stratton, Series 625

Töömaht 150 ccm
Nimivõimsus nimipöörlemiskiirusel 2,2 - 2800 kW - p/min
Kütusepaak 0,8 l

Lattvikati pöörlemiskiirus 2800 p/min

Veojam 1
sujuvkäivitusega edaspidikäik

Pikkus 147 cm
Laius 50 cm
Kõrgus 113 cm
Kaal 27 kg

Müraheide

Direktiivi 2000/14/EC kohaselt:

Garanteeritud mürarõhutase L_{WA_d} 96 dB(A)

Direktiivi 2006/42/EC kohaselt:

Mürarõhutase töökohal L_{pA}	83 dB(A)
Ebastabiilsus K_{pA}	2 dB(A)

Kohtvibratsiooniga

Vibratsioonitase standardi EN 12096 kohaselt

Möödetud väärtus a_{hw}	3,00 m/s ²
Ebastabiilsus K_{hw}	1,50 m/s ²
Mõõtmine EN 20643 kohaselt	

RM 448.0 PT:

Sisepõlemismootor: tootja, tüüp	Briggs & Stratton, Series 625
Töömaht	150 ccm
Nimivõimsus nimipöörlemiskiirusel	2,2 - 2800 kW - p/min
Kütusepaak	0,8 l
Lattvikati pöörlemiskiirus	2800 p/min
Veojam	1 sujuvkäivitusega edaspidikäik

Pikkus	147 cm
Laius	50 cm
Kõrgus	111 cm
Kaal	27 kg

Müraheide

Direktiivi 2000/14/EC kohaselt:

Garanteeritud mürarõhutase L_{WAAd}	96 dB(A)
--	----------

Direktiivi 2006/42/EC kohaselt:

Mürarõhutase töökohal L_{pA}	83 dB(A)
Ebastabiilsus K_{pA}	2 dB(A)

Kohtvibratsiooniga

Vibratsioonitase standardi EN 12096 kohaselt

Möödetud väärtus a_{hw}	3,90 m/s ²
Ebastabiilsus K_{hw}	1,95 m/s ²
Mõõtmine EN 20643 kohaselt	

RM 448.0 T:

Sisepõlemismootor: tootja, tüüp	Briggs & Stratton, Series 575
Töömaht	140 ccm
Nimivõimsus nimipöörlemiskiirusel	2,1 - 2800 kW - p/min
Kütusepaak	0,8 l
Lattvikati pöörlemiskiirus	2800 p/min
Veojam	1 sujuvkäivitusega edaspidikäik
Pikkus	147 cm
Laius	50 cm
Kõrgus	111 cm
Kaal	26 kg

Müraheide

Direktiivi 2000/14/EC kohaselt:

Garanteeritud mürarõhutase L_{WAAd}	96 dB(A)
--	----------

Direktiivi 2006/42/EC kohaselt:

Mürarõhutase töökohal L_{pA}	83 dB(A)
Ebastabiilsus K_{pA}	2 dB(A)

Kohtvibratsiooniga

Vibratsioonitase standardi EN 12096 kohaselt

Möödetud väärtus a_{hw}	3,90 m/s ²
Ebastabiilsus K_{hw}	1,95 m/s ²
Mõõtmine EN 20643 kohaselt	

RM 448.0 TC:

Sisepõlemismootor: tootja, tüüp	Briggs & Stratton, Series 575
------------------------------------	-------------------------------------

Töömaht	140 ccm
Nimivõimsus nimipöörlemiskiirusel	2,1 - 2800 kW - p/min
Kütusepaak	0,8 l
Lattvikati pöörlemiskiirus	2800 p/min
Veojam	1 sujuvkäivitusega edaspidikäik
Pikkus	147 cm
Laius	50 cm
Kõrgus	113 cm
Kaal	27 kg

Müraheide

Direktiivi 2000/14/EC kohaselt:

Garanteeritud mürarõhutase L_{WAAd}	96 dB(A)
--	----------

Direktiivi 2006/42/EC kohaselt:

Mürarõhutase töökohal L_{pA}	83 dB(A)
Ebastabiilsus K_{pA}	2 dB(A)

Kohtvibratsiooniga

Vibratsioonitase standardi EN 12096 kohaselt

Möödetud väärtus a_{hw}	3,50 m/s ²
Ebastabiilsus K_{hw}	1,75 m/s ²
Mõõtmine EN 20643 kohaselt	

RM 448.0 TX:

Sisepõlemismootor: tootja, tüüp	Briggs & Stratton, Series 550 EX OHV RS
Töömaht	140 ccm
Nimivõimsus nimipöörlemiskiirusel	2,1 - 2800 kW - p/min

Kütusepaak	0,8 l
Lattvikati pöörlemiskiirus	2800 p/min
Veojam	1
	sujuvkäivitusega edaspidikäik
Pikkus	147 cm
Laius	50 cm
Kõrgus	111 cm
Kaal	26 kg

Müraheide

Direktiivi 2000/14/EC kohaselt:

Garanteeritud mürarõhutase $L_{WA,d}$ 96 dB(A)

Direktiivi 2006/42/EC kohaselt:

Mürarõhutase töökohal L_{pA} 83 dB(A)

Ebastabiilsus K_{pA} 2 dB(A)

Kohtvibratsiooniga

Vibratsioonitase standardi EN 12096 kohaselt

Möödetud väärtus

a_{hw} 4,10 m/s²

Ebastabiilsus K_{hw} 2,05 m/s²

Möötmine EN 20643 kohaselt

RM 448.0 VC:

Sisepõlemismootor: Briggs & Stratton, Series 625

Töömaht 150 ccm

Nimivõimsus 2,2 - 2800

nimipöörlemiskiirus kW - p/min

Kütusepaak 0,8 l

Lattvikati pöörlemiskiirus 2800 p/min

Veojam Vario edaspidi

Pikkus 147 cm

Laius 50 cm

Kõrgus 113 cm

Kaal 28 kg

Müraheide

Direktiivi 2000/14/EC kohaselt:

Garanteeritud mürarõhutase $L_{WA,d}$ 96 dB(A)

Direktiivi 2006/42/EC kohaselt:

Mürarõhutase töökohal L_{pA} 83 dB(A)

Ebastabiilsus K_{pA} 2 dB(A)

Kohtvibratsiooniga

Vibratsioonitase standardi EN 12096 kohaselt

Möödetud väärtus

a_{hw} 3,00 m/s²

Ebastabiilsus K_{hw} 1,50 m/s²

Möötmine EN 20643 kohaselt

18.1 REACH

REACH tähistab EÜ korraldust kemikaalide registreerimiseks, hindamiseks ja tootloa saamiseks.

REACHi määrusele (EÜ) nr 1907/2006 vastavuse teave on toodud aadressil www.stihl.com/reach.

19. Tõrkeotsing

✘ Vajaduse korral pöörduge müügiesindusse, STIHL soovib STIHLi müügiesindust.

📖 Vaata sisepõlemismootori kasutusjuhendist.

Rike.

Sisepõlemismootor ei käivitu

Võimalik põhjus.

- Mootori pidurduskäepidet pole rakendatud.
- Paagis ei ole kütust; kütusevoolik on ummistunud.
- Paagis on halb, saastunud või vana kütus.
- Õhufilter on must.
- Süüteküünla pistik on süüteküünlalt ära tõmmatud; süütejuhe on pistiku külge halvasti kinnitatud.
- Süüteküünal on tahmunud või kahjustatud; vale elektrodide vahe.

Abinõud.

- Suruge mootori pidurduskäepide juhtraua poole ja hoidke selles asendis. (⇒ 9.2)
- Lisage kütust; puhastage kütusevoolikut. ✘
- Kasutage alati värsket kvaliteetkütust ja pliivaba bensiini; puhastage karburaatorit. ✘
- Puhastage õhufiltrit. ✘
- Asetage süüteküünla pistik kohale; kontrollige ühendust süütejuhtme ja pistiku vahel. ✘
- Puhastage või vahetage süüteküünal; reguleerige elektrodide vahet. ✘

Ärge täitke käitusainepaaki üle!

Selleks et käitusainepaagis oleks käitusainel ruumi paisuda, ärge kunagi täitke käitusainepaaki üle alumise täiteserva.

Peale selle jälgige kasutusjuhendi andmeid sisepõlemismootori puhastamise kohta.



Rike

Sisepõlemismootor läheb väga kuumaks.

Võimalik põhjus

- Liiga madal õlitase sisepõlemismootoris.
- Jahutusribid on mustad.

Abinõu

- Vahetage mootoriõli. (⇒ 7.6)
 - Puhastage jahutusribid. (⇒ 12.3)
-

Rike

Tugev vibratsioon töötamise ajal.

Võimalik põhjus

- Lõikeinstrument on vigane.
- Sisepõlemismootori kinnitus on lahtine.

Abinõu

- Kontrollige ja vajadusel parandage niitmistera, teravõlli ja tera kinnitust (tera polti ja tugiseibi). ✘
 - Keerake sisepõlemismootori kinnituse poldid kinni ✘
-

Rike

Kehv lõige, muru muutub kollaseks.

Võimalik põhjus

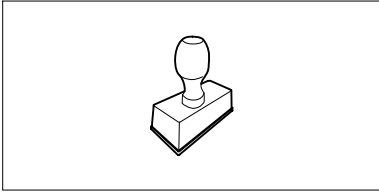
- Niitmistera on nüri või kulunud.

Abinõu

- Teritage niitmistera või vahetage välja (⇒ 12.6), (⇒ 12.5). ✘
-

20. Teenindusplaan

20.1 Üleandmise kinnitus


Mudel: _____
Seerianumber: □ □ □ □ □ □ □ □ □ □
Kuupäev: □ □ □ □ □ □ □ □ □ □

Järgmine teenindus
Kuupäev: □ □ □ □ □ □ □ □ □ □

20.2 Teeninduse kinnitus



Andke hooldustööde korral see kasutusjuhend STIHLi müügiesindusele.

Seal lisatakse vastavatesse ettenähtud kohtadesse kinnitus teenindustööde teostamise kohta.

 Teeninduse teostamise kuupäev

 Järgmise teeninduse kuupäev

Hörmətli Müştəri,

STIHL-i seçdiyiniz üçün təşəkkür edirik. Biz müştərilərimizin tələblərinə cavab vermək üçün keyfiyyətli məhsullar hazırlayır və istehsal edirik. Hətta ekstremal şərtlərdə belə, məhsullar etibarlılıq üçün nəzərdə tutulub.

STIHL həmçinin premium xidmət keyfiyyəti deməkdir. Mütəxəssis vasitəçilərimiz hərtərəfli xidmət dəstəyi ilə yanaşı, kifayət qədər məsləhət və təlimat ilə təmin edir.

Bizə inandığınız üçün təşəkkür edirik və ümid edirik ki, STIHL məhsulunuz ilə işləməkdən zövq alacaqsınız.

Dr. Nikolas Stihl

VACİB: İSTİFADƏDƏN ƏVVƏL OXUYUN VƏ TƏHLÜKƏSİZ YERDƏ SAXLAYIN.

1. Mündəricat

Bu istifadə üzrə təlimata dair	316
Ümumi maddələr	316
Bu istifadə üzrə təlimatın oxunması üzrə göstərişlər	316
Cihazın təsviri	317
Sizin təhlükəsizliyiniz üçün	317
Ümumi	317
Çənin doldurulması – Benzinlə davranma	318
Geyim və alətlər	318
Cihazın nəqli	319
İşdən əvvəl	319
İş zamanı	320
Texniki baxış və təmir işləri	321
Uzun fasilələr zamanı anbarlama	322
Tullantının emalı	322
İşarələrin təsviri	323
Çatdırılma həcmi	323
Cihazı işə hazırlamaq	324
Ümumi	324
Bir tərəfli sükanı montaj etmək (RM 448 PC, RM 448 TC, RM 448 VC)	324
İki tərəfli sükanı montaj edin (RM 443, RM 443 T, RM 448 PT, RM 448 T, RM 448 TX)	324
Ot tutan səbəti qurun	324
Başlanğıc sütunu aşağı yuxarı açın	324
Yanacaq və motor yağı	325
Xidmət elementi	325
Bir tərəfli sükanın qurulması (RM 448 PC, RM 448 TC, RM 448 VC)	325

İkili sükanı qatlamaq (RM 443, RM 443 T, RM 448 PT, RM 448 T, RM 448 TX)	325
Ot tutan səbət	325
Mərkəzi kəsim hündürlüyünün təqdimatı	326
Doldurma göstəricisi	326
Təhlükəsizlik qurğusu	326
Qoruyucu alət	326
Motorun dayandırılması üzrə qol	326
İşə dair göstərişlər	326
Xidmət göstərənin iş sahəsi	326
Cihazı işə salmaq	327
Yandırma motoru işə salın	327
Yandırma motoru söndürün	327
Hərəkət mexanizmi (RM 443 T, RM 448 PC, RM 448 PT, RM 448 T, RM 448 TX, RM 448 TC, RM 448 VC)	327
Ot səbətini boşaldın	327
Texniki baxış	327
Ümumi	327
Ališdırma motoru	328
Cihazı təmizləyin	328
Bıçaq qaynağını yoxlayın	328
Bıçmə bıçağını çıxarmaq və qurmaq	329
Kəsim bıçağının itilənməsi	329
Anbarda saxlama və sükut vəziyyətində anbarlama (qış fasiləsi)	329
Nəql	330
Nəql	330
Ətraf mühitin qorunması	330
Tullantını azaltmaq və zərərlərin qarşısını almaq	330
Qalıq ehtiyat hissələri	331
Aİ – Uyğunluğun təsdiqlənməsi	331

Ot biçmə cihazı üçün yanacaq (STIHL RM)	331
Texniki məlumatlar	332
REACH	334
Xətanın axtarılması	334
Xidmət planı	335
Təslimat təsdiqi	335
Xidmət təsdiqi	335

2. Bu istifadə üzrə təlimata dair

2.1 Ümumi maddələr

Bu istifadə təlimat kitabçası Avropa Birliyinin 2006/42/EC Direktivasına əslənən istehsalçının **həqiqi istifadə təlimatı kitabçasıdır**.

STIHL davamlı olaraq məhsullar çeşidini daha da inkişaf etdirmək üçün çalışır; ona görə də, biz formaya, texniki xüsusiyyətlər və standart avadanlığımızın avadanlıq səviyyəsinə dəyişikliklər etmək hüququnu qoruyub saxlayırıq.

Bu səbəbdən, bu təlimat kitabçasında olan məlumat və təsvirlərə əsaslanaraq heç bir iddia irəli sürülə bilməz.

Bu istifadə təlimatı kitabçasında hər ölkədə mövcud olmayan müvafiq modellər təsvir olunub.

Bu istifadə təlimatı müəlliflik hüququ ilə qorunur. Bütün hüquqlar, xüsusilə təkrar istehsal etmə, tərcümə və elektron sistemlərdən istifadə edərək emal etmə hüququ qorunur.

2.2 Bu istifadə üzrə təlimatın oxunması üzrə göstərişlər

Şəkil və mətnlər müəyyən əl ilə idarə addımlarını təsvir edirlər.

Cihazın üzərində yerləşmiş şəkillər istifadə təlimatında izah ediləcəklər.

Baxış istiqaməti:

İstifadə zamanı baxış istiqaməti təlimat kitabçasında "**sol**" və "**sağ**": İstifadəçi cihazın arxasında yerləşir və gediş istiqamətinə qarşıdan nəzər yetirir.

Bölmələr üzrə istiqamət:

Müvafiq bölmə və alt bölmələrə dair izahatlar işarə ilə göstəriləcək. Aşağıdakı nümunə bölməyə dair göstərişi təqdim edir: (⇒ 4.)

Mətn hissələrinin işarəsi:

Təsvir olunmuş göstərişlər aşağıdakı nümunələrdəki kimi işarələyə bilirlər.

İstifadəçinin əl ilə tutmasını tələb edən qaldırma addımları:

- Şrupu (1) şrupaçanla boşaldın, tutacağı (2) işə salın...

Ümumi sadalama:

- İdman və rəqabət tədbirlərində məhsulun işə salınması

Əlavə mənaya malik mətnlər:

Əlavə mənaya malik mətn hissələri sonradan təsvir edilmiş işarələrlə qeyd ediləcək və istifadə kitabçasında əlavə məlumat verəcək.



Təhlükə!

İnsanlar üçün qəza və ağır yaralanma təhlükəsi. Müəyyən davranış qaydası vacibdir.



Xəbərdarlıq!

İnsanlar üçün yaralanma təhlükəsi. Müəyyən davranış mümkün və ya yəqin edilən yaralanmanın qarşısını ala bilər.



Diqqət!

Müəyyən davranışla yüngül yaralanma və zərərlərin qarşısını almaq olar.



Göstəriş

Cihazın daha yaxşı istifadəsi və mümkün xətalərin qarşısını almaq üçün məlumat.

Şəklə aid mətn:

Cihazın istifadəsini izah edən şəkilləri təlimat kitabçasının əvvəlində tapa bilərsiniz.

Kamera işarəsi təlimat kitabçasının müvafiq mətn hissəsi ilə şəkillərin birləşdirilməsinə xidmət edir.



3. Cihazın təsviri



- 1 Motorun dayandırılması üzrə qol
- 2 Hərəkət mexanizminin qolu (RM 443 T, RM 448 PC, RM 448 PT, RM 448 T, RM 448 TX, RM 448 TC, RM 448 VC)
- 3 Vario mexanizminin qolu (RM 448 VC)
- 4 Sükanın yuxarı hissəsi
- 5 Başlama sütunu
- 6 Çevik dartma mexanizmi (RM 443, RM 443 T, RM 448 PT, RM 448 T, RM 448 TX)
- 7 Sükanın aşağı hissəsi (RM 443, RM 443 T, RM 448 PT, RM 448 T, RM 448 TX)
- 8 Yandırma motoru
- 9 Qoruyucu şəbəkə ilə səs boğucu
- 10 Aşıdırma şamı ştepseli
- 11 Ön tutacaq
- 12 Ön çarx
- 13 Arxa çarx
- 14 Ot tutan səbət
- 15 Arxa tutacaq
- 16 Kəsim hündürlüyünün dəyişdirilməsi qolu
- 17 Cihaz nömrəsi ilə təyinat lövhəsi
- 18 Sükan konsolu (RM 448 PC, RM 448 TC, RM 448 VC)
- 19 Sükanın bloklama qolu (RM 448 PC, RM 448 TC, RM 448 VC)

4. Sizin təhlükəsizliyiniz üçün

4.1 Ümumi



Cihazda iş zamanı qəza hallarına dair göstərişlərə mütləq əməl etmək lazımdır.



Birinci dəfə işə salmamışdan əvvəl bütün təlimat kitabçası diqqətlə oxunmalıdır. Təlimat kitabçasını növbəti istifadələr üçün qoruyub saxlayın.

Motor üçün ayrıca təmin olunmuş təlimat kitabçasında xidmət və texniki baxış göstərişlərinə diqqət yetirin.

Bu təhlükəsizlik tədbirləri sizin təhlükəsizliyiniz üçün nəzərdə tutulub, lakin tədbirlər bununla bitmir. Bu cihazı ağıl və məsuliyyətlə istifadə edin və hər zaman yadda saxlayın ki, digər şəxslərin yaralanmasına və əmlaka dəyən ziyanı görə istifadəçi məsuliyyət daşıyır.

Cihazın idarəetmə paneli və istifadəsi ilə tanış olun.

Bu cihaz yalnız istifadə təlimatı kitabçasını oxumuş və cihazın istifadəsindən anlayışı olan şəxslər tərəfindən istifadə oluna bilər. İlk istifadədən öncə istifadəçi peşəkar və praktik təlimat ilə tanış olmalıdır. İstifadəçi satıcı və ya digər bir ixtisaslı mütəxəssis tərəfindən cihazın təhlükəsiz istifadəsinə dair məlumatlandırılmalıdır.

Xüsusilə, bu təlimat istifadəçini cihazla işləyərkən maksimum diqqətli və konsentrasiyə barəsində xəbərdar etməlidir.

Əgər siz bu cihazı diqqətli şəkildə idarə etsəniz belə, həmişə digər risk faktorları mövcud olacaqdır.



Boğulma nəticəsində həyati təhlükə!

Qablaşdırma materialı ilə oynayarkən uşaqlar üçün boğulma təhlükəsi mövcuddur. Qablaşdırma materialını mütləq uşaqlardan kənar tutun.

Bu cihaz o cümlədən onun hissələrini yalnız bu model və onun istifadəsindən anlayışı olan insanlara vermək olar. Təlimat kitabçası bu cihazın bir hissəsidir və həmişə birgə təqdim olunmalıdır.

Cihazdan ehtiyatla və fiziki və mənəvi cəhətdən sağlam olduqda istifadə edin. Sağlamlığınız normal şəraitdə olmadıqda, cihazdan istifadə ilə bağlı həkiminizlə məsləhətləşin. Spirtli içki, dərman vasitələri və ya reaksiyaya təsir göstərən dərman qəbulundan sonra cihazdan işləmək olmaz.

Fiziki, ruhi və əqli məhdudiyətlərə malik və ya kifayət qədər təcrübəyə və ya biliyə malik olmayan və istifadəsini bacarmayan şəxslər cihazı istifadə edə bilməzlər.

Uşaqlar və 16 yaşından kiçik gənclərə cihazdan istifadəyə icazə verməyin. Yerli qaydalar istifadəçinin minimal yaşını müəyyən edə bilərlər.

Cihaz yalnız şəxsi istifadə üçün nəzərdə tutulub.

Diqqət – Qəza təhlükəsi!

Otbiçən ancaq otu biçmək üçün nəzərdə tutulub. Digər şəkildə istifadəyə icazə verilmir və bu təhlükəli ola bilər və ya cihazın xarab olmasına gətirib çıxara bilər.

İstifadəçinin bədən hissələrinin zədələnməsi təhlükəsinə görə ot biçən aşağıdakı işlər üçün istifadə oluna bilməz (siyahı tam deyil):

- kolların burulması, dođranması və biçilməsi üçün,
- kənar hissələrin kəsilməsi üçün,
- damlarda və eyvanlarda kolların biçilməsi üçün,
- ağac və çöplərin kəsilməsi və dođranması üçün,
- gediş yollarının təmizlənməsi üçün (sovurma və üfürmə),
- torpaq hissəsinin hamarlanması üçün məs. təpəciklərin.
- kəsim hissələrinin ona aid olmayan yeşiklərdə daşınması üçün.

Təhlükəsizlik məqsədləri üçün STIHL tərəfindən təsdiq olunan aksesuarların müvafiq yerləşdirməsindən başqa, cihaza edilən istənilən dəyişiklik qadağandır və zamanət sığortasının etibarsızlığı ilə nəticələnir. Təsdiqlənmiş aksesuarlar ilə əlaqədar məlumat STIHL mütəxəssis vasitəçiniz tərəfindən əldə edilə bilər.

Xüsusilə, enerji çıxışı və ya motorun və ya elektrik motorunun sürətini artıran maşın ilə istənilən müdaxilə qadağandır.

Cihazla birlikdə heç bir alətlər, heyvanlar və ya insanlar xüsusilə də uşaqlar nəql edilə bilməzlər.

İctimai yerlərdə, parklarda, idman şəhərciklərində, küçələrdə və kənd və meşə təsərrüfatlarında istifadə zamanı xüsusi qaydalara riayət etmək lazımdır.



Diqqət! Vibrasiya nəticəsində sağlamlığa ziyan! Həddindən artıq vibrasiyaya məruz qalmaq qan təzyiqi problemi olan

şəxslərdə qan dövranı və ya sinir sistemine zərər vura bilər. Vibrasiya nəticəsində simptomlar yarandıqda həkiminizə müraciət edin.

Adətən barmaq, əl və ya əl ətraflarında yaranan əsas simptomlara məsələn aşağıdakılar aiddir (natamam siyahı):

- Qeyri-həssaslıq,
- Ağrı
- Əzələlərin zəifləməsi,
- Dəri rənginin dəyişməsi,
- xoşagəlməz bükülmə.

Sükani fəaliyyət zamanı bərk lakin gərilmədən hər iki əllə göstərilən yerlərdə tutun.

İş vaxtını elə planlayın ki, uzun müddət ərzində həddindən artıq yükləmələrin qarşısı alınсын.

4.2 Çənin doldurulması – Benzinlə davranma



Heyati təhlükə!

Benzin zəhərli və yüksək dərəcədə yanabilir.

Benzini yalnız onun üçün nəzərdə tutulmuş və yoxlanmış qablarda (Kanistrlərdə) saxlayın. Çənlərin qapaqları həmişə müvafiq şəkildə bağlanmalı və sıxılmalıdır. Qüsurlu qapaqları təhlükəsizlik səbəbindən dəyişin.

Heç bir vaxt işçi butullkalarını və ya oxşar məhsulları maddələrin saxlanması üçün istifadə etməyin məs. oksigen. İnsanlar, xüsusilə də uşaqlar onları içə bilər.



Benzini alovdan, açıq alovdan, davamlı istidən, istilik mənbəyindən və digər mənbələrdən uşaq saxlayın.

Siqaret çəkməyin!

Yalnız maşın dayandıqda onu benzinlə doldurun və çənin yaxınlığında siqaret çəkməyin.

Çəni doldurmamışdan əvvəl motoru dayandırın və soyudun.

Benzini motoru işə salmamışdan əvvəl doldurun. Motor işə düşərkən və ya isti maşın isti olduqda çənin qapağı açıla bilməz və ya benzin əlavə edilə bilməz.

Yanacaq çəninini normadan artıq doldurməyin!

Yanacağa yer yaratmaq üçün çəni aşağıdakı dəstək yerinin aşağı kənarından yuxarıya doldurməyin.

Əlavə məlumat üçün yanma motorunun istifadə təlimatlarına baxın.



Benzin başa çatdıqda motoru yalnız benzinlə çirklənmiş sahəni təmizlədikdən sonra işə salın. Benzin buxarı uçana qədər (quru şəkildə silmə) hər cürə alovun qarşısını alın.

Dağılmış maddəni hər zaman silin.

Benzin paltarın üstünə düşdükdə dəyişdirilməlidir.

Heç bir vaxt binanın daxilində içində benzin olan cihazı saxlaməyin. Yaranan benzin buxarı açıq alov və ya qığılcımla əlaqəyə girə və yanabilir.

Çəni boşaltmaq lazım gəldikdə bunu sərbəst yerdə edin.

4.3 Geyim və alətlər



İş zamanı altlığa malik iş ayaqqabısı geyinmək lazımdır. Heç bir vaxt ayaqqabısız və ya məsələn sandalla işləməyin.



Texniki baxış və təmizləmə işləri zamanı, o cümlədən cihazın nəqli zamanı hər zaman bərk əlcəklər geyinin və saçınızı bağlayın (örpək, papaq və s.).



Ot biçən cihazın bıçaqları itilənərkən müvafiq qoruyucu eynəkləri geyinin.

Cihazı yalnız uzun şalvar və boş olmayan geyimlə işə salmaq olar.

Heç bir vaxt boş geyim geyinməyin, o hərəkətli hissələrə (xidmət tutacağına) ilişə bilər – o cümlədən zərgərlik məmulatı, qalstuk və şərf də taxmayın.



Əməliyyat zamanı səs olur. Səs sizin eşitmənizə xələl yetirə bilər.

Eşitmə qabliyyətini qoruyan qulaqcıqdan istifadə edin.

4.4 Cihazın nəqli

İti uclu və isti cihaz hissələrində yaralanmanın qarşısını almaq üçün əlcək geyinin.

Cihazı motoru işləyərkən nəql etməyin. Nəql etməmişdən əvvəl motoru söndürün, bıçağın dayanmasını gözləyin və şamı dartın.

Cihazı motoru soyutduqda və mayesiz şəkildə nəql edin.

Aidiyyətli yardımçı hissələrdən (yükləmə hissələri, qaldırma alətləri) istifadə edin.

Cihaz və onunla birlikdə nəql edilən cihaz hissələrini (məs. ot səbəti) yükləmə hissəsinə kifayət qədər bərkliyə malik vasitələrlə (qayış, ip və s.) bərkidin.

Qaldırma və daşıma zamanı biçmə bıçağı ilə əlaqəyə imkan verməyin.

Zəhmət olmasa, "Nəql" bölməsində məlumatlara baxın. Orada cihazı necə qaldırmaq o cümlədən daşımağa dair məlumatlar göstərilib. (⇒ 13.)

Cihazın nəqli zamanı regional qaydalara, o cümlədən yük yerində yükün təhlükəsizliyi və onun nəqli ilə bağlı qaydalara diqqət yetirin.

4.5 İşdən əvvəl

Cihazda yalnız onun təlimat kitabçasını oxumuş adamların işləməsinə əmin olun.

Cihazı istismara verməsindən əvvəl yanacaq sisteminin, xüsusilə çən, çənin bağlayıcı qurğusu, şlanq birləşmələri kimi görülən hissələrinin germetikliyini yoxlayın. Qeyri-germetiklik və ya daxili yanacaq mühərrikinin zədələnməsi aşkar olunduqda - **Yanğın riski!** istismara verilmədən əvvəl cihazı təmirə təhvil verin və ya dəyişdirilmək üçün satıcıya göndərin.

Motor və elektrik motorlarına malik bağ cihazlarının iş vaxtına dair ərazidəki qaydalara diqqət yetirin.

Cihazın işə salınacağı sahəni tam yoxlayın və daş, çubuq, məftil və cihaza mane ola biləcək digər yad cismləri kənarlaşdırın. Maneələr (məs. ağac hissələri, köklər) ot yüksək olduqda görünməyə bilər.

Buna görə cihazda işə başlamamışdan əvvəl sahədəki kənarlaşdırıla bilinməyən yerləri (maneələri) qeyd edin.

Bütün qüsurlu, köhnə və ya zədələnmiş hissələr maşını istifadə etməzdən əvvəl dəyişdirilməlidir. Maşında istənilən oxunmayan və ya zədələnmiş təhlükəsizlik işarələri və xəbərdarlıqlarını dəyişdirin.

STIHL mütəxəssisinizdə əvəzedici yapışqanlar və bütün digər ehtiyat hissələrinin təchizatı var.

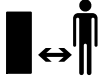
Cihazı istifadə etməmişdən əvvəl yandırma şamının bərkliyini və təhlükəsizliyini yoxlayın.

Cihaz yalnız müvafiq istismar vəziyyətində istifadə edilə bilər. Hər istifadədən öncə yoxlanılmalıdır:

- cihazın müvafiq şəkildə quraşdırılıb.
- kəsim aləti və bütöv kəsim qurğusu (kəsim bıçağı, bərkidici elementlər, biçmə cihazının korpusu) yaxşı vəziyyətdədir. Xüsusilə, təhlükəsiz bərkitmə, zədə (çertik və ya çatlaqlar) və aşınma üçün yoxlayın.(⇒ 12.4)
- çən qapağı müvafiq şəkildə bərkidilibmi.
- çən və yanacaq daşıyıcı hissələr, həmçinin çənin qapağı yaxşı vəziyyətdədir.
- təhlükəsizlik hissələri (məs. motorun dayandırılması üzrə qol, tullama qapağı, korpus, sükan, qoruyucu çərçivə) qüsursuz vəziyyətdədir və mükəmməl işləyirmi.
- ot tutan səbət zədələnməyib və düzgün şəkildə yerləşdirilib; zədələnmiş ot tutan səbəti istifadə edilməməlidir.
- yağ tökülən hissənin qapağı müvafiq şəkildə bərkidilibmi.

İstənilən zəruri işi icra edin və ya mütəxəssis vasitəçi ilə məsləhətləşin. STIHL, STIHL distribyutorlarını tövsiyə edir.

4.6 İş zamanı



Heyvanlar və ya insanlar, xüsusilə də uşaqlar təhlükə sahəsində olduqda heç bir vaxt işləməyin.

Cihazda quraşdırılmış açar və təhlükəsizlik cihazları çıxarılmamalı və ya ləğv edilməməlidir. Motorun dayandırılması üzrə qolunu heç bir vaxt sükan hissəsinə bərkitməyin (məs. birləşdirici ilə).



Diqqət – Yaralanma təhlükəsi!

Əlinizi və ya ayağınızı heç bir zaman fırlanan hissələrin altına və ya üstünə aparmayın.

Hərəkətli bıçağa əl vurmeyin. Atılan hissələrdən kənarında dayanın.

Sükan tərəfindən verilən təhlükəsizlik məsafəsinə hər zaman riayət edin. Sükan hər zaman qaydalara uyğun montaj edilməlidir və dəyişdirilə bilməz. Cihazı heç bir zaman nükülmüş sükanla işə salmayın.

Sükanın əksinə heç bir maddə yerləşdirməyin (məs. iş geyimi).

Yalnız gün işığı və ya yaxşı süni işıqlandırılmış mühitdə işləyin.

Cihazla yağış, qılgıncım və ildirim zamanı işləməyin.

Nəm mühitdə yüksək qəza təhlükəsi mövcuddur.

Sürüşmənin qarşısını almaq üçün xüsusilə ehtiyatlı olmaq lazımdır. Mümkün olduqda nəm ərazidə cihazla işə imkan verməyin.

Çıxan qaz:



Zəhərlənmə vasitəsilə həyati təhlükə!

Ürəkbulanması, baş ağrısı, görme qabiliyyətinin pozulması (məs. görüntünün kiçilməsi zamanı), eşitmə qabiliyyətinin pozulması, baş gicəllənmə, konsentrasiyanın pozulması zamanı işi dərhal dayandırın. Bu simptomlar digərləri ilə yanaşı çıxan qazın konsentrasiyası nəticəsində yarana bilər.



Motor işə düşən kimi motordan qalıq qaz havaya çıxır. Bu qazların tərkibində karbon monoksid, rəngsiz və dadsız qaz, o cümlədən ziyanlı maddələr var. Motoru heç bir zaman bağlı və ya pis havalana ərazidə işə salmayın.

İşə salma:

Cihazı ehtiyatla işə salın – "Cihazı işə salın" (⇒ 11.) bölməsindəki göstərişlərə əməl edin. Bu göstərişlərə əsaslanan işə salma yaralanma təhlükəsini azaldır.

Yaralanma təhlükəsi!

İşə salma ipi çəvik şəkildə geriye gedirsə, əl və qol tez tanma motoruna doğru yönəldilir, çünki işə salma ipi buraxıla bilər. Bu geriye vurma sümük sınmasına, burulma və şişmələrə gətirib çıxara bilər.

İşə salma zamanı hər zaman ayaqlarınızın kəsmə alətlərindən kifayət qədər uzaq olmasına diqqət yetirin.

Cihazı işə salarkən aşırmaq olmaz.

Hərəkətə salınarkən dartma diski işə salına bilməz.

Kənara atma kanalı qapaq və ya ot yığan şeşlərlə örtülmədikdə motoru işə salmayın.

Sallanma vəziyyətində iş:

Köndələn istiqamətdə yerləşdikdə iş görün, uzununa salladaraq iş görməyin. Uzununa yerləşdirmə zamanı otbiçenin istifadəçisi nəzarəti itirir, cihaz bu zaman onun üstünə çıxa bilər.

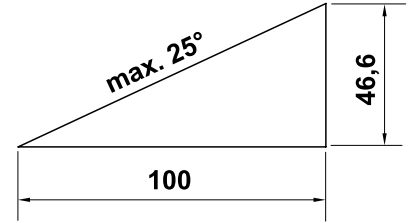
Salanma zamanı gediş istiqamətini dəyişərkən xüsusilə diqqətli olun.

Sallanma zamanı yaxşı vəziyyətə diqqət yetirin və kəskin sallanma zamanı işin qarşısını alın.

Təhlükəsizlik səbəbindən cihaz 25°-lik maili yerdə (46,6 %) sallanıla bilməz.

Yaralanma təhlükəsi!

25° asılma meyli şaquli 100 sm-lik üfqi uzunluqda 46,6 sm şaquli qalxmaya bərabərdir.



Motorun kifayət qədər yağlanmasına əmin olmaq üçün, cihazı işə salarkən motorun istifadə göstərişlərinə diqqət yetirin.

Fəaliyyət:



Yaralanma təhlükəsi!

Əlinizi və ya ayağınızı heç bir zaman fırlanan hissələrin üzərinə, altına və ya üstünə aparmayın.



Ot biçən fəaliyyətdə olarkən bıçağı düzəltməyə çalışmayın. Ot biçən fəaliyyətdə olarkən

qapağı və ot səbətini çıxarmağa çalışmayın. Hərəkətli bıçaq yaralanmaya gətirib çıxara bilər.

Cihazı addımba-addım işə salın – cihazla iş zamanı heç bir vaxt qaçmayın. Cihazın sürətli istifadəsi zamanı ayağın ilişməsi, sürüşmə və s. zamanı yaralanma təhlükəsi artır.

Cihazın istiqamətini dəyişərkən və onu özünü tərif dartarkən xüsusilə diqqətli olun.

Sürüşmə təhlükəsi mövcuddur!

Meylli yerlərdə, kənar yerlərdə, dəliklər və dambaların yaxınlığında cihaza xüsusi diqqət yetirin. Xüsusilə bu təhlükə sahələrinə qədər olan məsafəyə diqqət yetirin.

Otluğun məhdudlaşdırıldığı yerlərdən (otlağın qorunduğu yerlər, sütunlar, su vintilləri, fundamentlər, elektrik xəttləri və s.) yan keçmək lazımdır. Bu cür kənar obyektlərdə biçmə işi aparmayın.



STOP

Dayanması bir neçə saniyə vaxt çəkən kəsici alətlərin dayanana qədər hərəkətinə diqqət yetirin.

Yandırma motoru söndürün, iş sahəsinin dayanmasını

gözləyin və alışdırma şamı ştepseli dartın:

- cihazı tərk etməmişdən əvvəl, o cümlədən nəzarətsiz qoyduqda,
- yanacaq doldurmamışdan əvvəl. Yalnız yandırma motoru sərin olduqda yanacaq doldurun.
Alışma təhlükəsi!
- bloklamı kənarlaşdırdıqdan və ya tullama kanalında tutlan hissəni kənarlaşdırdıqdan əvvəl,
- cihazı qaldırdıqdan və daşdıqdan əvvəl,
- cihazın nəql etdikdən əvvəl,
- biçmə bıçağında iş yerinə yetirdikdən əvvəl,

- cihaz yoxlandıqdan və ya təmizləndikdən əvvəl və ya digər işlər (məs. sükanı qatladıqdan əvvəl) yerinə yetirdikdən əvvəl,
- kənar maddələr ilişdikdə və ya qazon biçən anormal titrədikdə. Bu halda cihazın, xüsusilə də kəsim vahidinin (bıçaq, bıçaq dalğası, bıçağın bərklili) zədələndiyini yoxlayın və cihazı yenidən işə salmazdan və onunla işləməzdən əvvəl lazımi təmir işlərini yerinə yetirin.



Zədələnmə təhlükəsi!

Güclü vibrasiya adətən xəta göstəricisidir.

Qazon biçən zədələnmiş və ya əyilmiş dirsəkli val və ya zədələnmiş və əyilmiş bıçaqla işə salına bilməz.

Əgər müvafiq təcrübəniz yoxdursa, zəruri təmir işlərini mütəxəssisə – STIHL, STIHL mütəxəssislərini tövsiyə edir – icra etdirin.

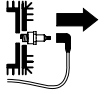
Yanma motorunu söndürün.

- cihazı emal edilən qazondan və ya qazona tərəf itələdikdə,
- cihazı ot bitməyən yere itələdikdən əvvəl,
- qapağı açmamışdan və ya səbəti çıxarmamışdan əvvəl.
- cihaz nəql edilməyə hazırlanarsa,
- kəsim hündürlüyünü müəyyən etməmişdən əvvəl.

4.7 Texniki baxış və təmir işləri

Təmizləməyə, quraşdırmaya, təmirə və texniki baxış işlərinə başlamamışdan əvvəl:

- Cihazı bərk, hamar yerdə yerləşdirin,
- Motoru söndürün və soyumasına imkan yaradın,
- Şamı çıxarın.



Diqqət - Yaralanma təhlükəsi!

Yandırma şamı ştekerini yandırma şamından kənar tutun, nəzarətsiz çığılcım yanma və ya enerji pozuntusuna gətirib çıxara bilər. Şamın keçiricisi ilə nəzarətsiz əlaqəsi yanma motorunun arzuolunmaz fəaliyyətinə gətirib çıxara bilər.



Biçmə bıçağı vasitəsilə yaralanma təhlükəsi!

Başlanğıc ipi dartmaqla iş aləti fırlanma hərəkətinə gələcək. Hər zaman başlanğıc ipi dartarkən biçmə bıçağına qədər xüsusilə əldən və ayaqdan olan məsafəyə diqqət yetirin.

Cihazın motor, üfürmə hissəsi və buxarlandırıcı sahəsində işdən əvvəl sərinləməsinə gözləyin. 80° C və daha artıq temperatur yarana bilər. **Yanma təhlükəsi!**

Motor yağı ilə birbaşa əlaqə təhlükəli ola bilər, bundan əlavə motor yağı silkləne bilməz.

STIHL mühərrik yağının doldurulmasını, o cümlədən mühərrik yağının dəyişdirilməsini STIHL distribütoruna həvalə etməyi məsləhət görür.

Təmizləmə:

İşdən sonra cihaz tam təmizlənməlidir. (⇒ 12.3)

Təmizləmə mövqeyinə gətirməmişdən əvvəl yanacaq çəni boşaldın (məs. boşuna işlətməklə).

Yığılmış ot qalıqlarını taxta ilə kənarlaşdırın. Biçən alətin aşağı hissəsini fırça və su ilə təmizləyin.

Heç vaxt yüksək təzyiqli təmizləyicilərdən istifadə etməyin və maşını axar suda (məsələn, bağça şlanqından istifadə edərək) təmizləməyin.

Güclü təmizləyici vasitələrdən istifadə etməyin. Onlar, STIHL maşınınızın təhlükəsiz istismarını zəiflədərək, plastik və metal hissələri zədələyə bilər.

Yağın təhlükəsinin qarşısını almaq üçün soyuq hava hissələrini, sərincəmə alətlərini və hava üfurmə yerini məs. ot, saman, şibyə, yarpaq və digər yağlardan təmiz saxlayın.

Texniki baxış işləri:

Yalnız bu istifadə təlimatında göstərilən texniki baxış işləri icra edilə bilər. Bütün digər işləri mütəxəssis vasitəçi icra etməlidir.

Əgər zəruri təcrübəniz və ya köməkçi avadanlığınız yoxdursa, lütfən, **həmişə** mütəxəssis vasitəçi ilə əlaqə saxlayın. STIHL, texniki baxış və təmir işlərini yalnız STIHL mütəxəssis vasitəçi tərəfindən həyata keçirməyinizi tövsiyə edir. STIHL-in mütəxəssis vasitəçiləri müntəzəm olaraq təlim kurslarında iştirak edir və texniki məlumat ilə təmin edilir.

Yalnız STIHL tərəfindən bu maşın üçün təsdiqlənmiş alətlər, aksesuarlar və ya qurulmuş cihazlardan, yaxud texniki cəhətdən eyni hissələrdən istifadə edin. Əks halda, fərdi xəsarət və ya maşının zədələnməsi ilə nəticələnən qəzalar təhlükəsi yarana bilər. Əgər hər hansısa bir suallarınız varsa, lütfən, mütəxəssis vasitəçi ilə məsləhətləşin.

Orijinal STIHL alətləri, aksesuarlar və ehtiyat hissələrinin xarakteristikası ən yaxşı şəkildə maşın və istifadəçinin

təhlükələrinə uyğunlaşdırılıb. Əsl STIHL ehtiyat hissələri STIHL ehtiyat hissələrinin nömrəsinə, STIHL yazısına və əgər varsa, STIHL ehtiyat hissələri simvoluna görə tanınır. Kiçik hissələrdə yalnız simvol ola bilər.

Təhlükəsizlik tədbirləri üçün yanacaq daşıyıcı komponentlər (yanacaq borusu, yanacaq kranı, yanacaq çəni, çən qapağı, keçidlər və s.) müntəzəm olaraq korlanma və sızıntıya qarşı yoxlanılmalıdır və lazım olduqda bir mütəxəssis tərəfindən dəyişdirilməlidir (STIHL öz distribütorunu təklif edir).

Xəbərdarlıq və məlumat yapışqanlarını həmişə təmiz və oxunaqlı saxlayın. Zədələnmiş və ya itmiş yapışqanlar STIHL mütəxəssis vasitəçisindən yeni, orijinal lövhələr ilə dəyişdirilməlidir. Əgər komponent yeni komponent ilə əvəz edilərsə, yeni komponentin eyni yapışqanlar ilə təmin edildiyindən əmin olun.

Kəsici hissələrdə işləri qalın iş əlcəkləri ilə və ehtiyatla yerinə yetirin.

Cihazı təhlükəsiz vəziyyətə gətirmək üçün bütün qayka, bolt və vintləri, xüsusilə də bıçaq vintlərini bərkidin.

Cihazı və ot toplayan səbəti xüsusilə anbarda saxlamamışdan əvvəl (məs. qış fasiləsindən əvvəl) yeyilmə və zədələrə qarşı yoxlayın. Təhlükəsizlik səbəbindən yeyilmiş və ya zədələnmiş hissələri dərhal dəyişin ki, cihaz hər zaman təhlükəsiz şəkildə işləyə bilsin.

Motorun ilkin parametrlərini heç bir vaxt dəyişməyin və onu fırlatmayın.

Texniki baxış üçün hissələr və ya qoruyucu alətlər kənarlaşdırıldıqda onlar müvafiq şəkildə və qaydalara əsasən yenidən qurulmalıdırlar.

4.8 Uzun fasilələr zamanı anbarlama

Cihazı qapalı yerdə saxlamamışdan əvvəl motorun soyumasını gözləyin.

Boşaldılmış çənə malik cihazı və maye ehtiyatını bağlanan və yaxşı havalandırılan otaqda saxlayın.

Cihazın yersiz istifadədən (məs. uşaqlar tərəfindən) qorunduğuna əmin olun.

Heç bir vaxt binanın daxilində içində benzin olan cihazı saxlamayın. Yaranan benzin buxarı açıq alov və ya qığılcımla əlaqəyə girə və yana bilər.

Çən qış fasiləsindən əvvəl boşaldılmalı olduqda, sərbəst bir yerdə bu yerinə yetirilməlidir (məs. boşuna işlətməklə).

Cihazı anbarda saxlamamışdan əvvəl (məs. qış fasiləsində) tam təmizləyin.

Cihazı şamı çölə dartılmış şəkildə anbarda saxlayın.

Cihazı müvafiq şəkildə saxlayın.

Cihazı örtməmişdən əvvəl onun tam soyumasına imkan verin.

4.9 Tullantının emalı

İstifadə olunmuş neft və ya yanacaq, sürtkü yağları, filtrlər, batareyalar və bənzər aşınma hissələri kimi tullantı məhsulları insanlara, heyvanlara və ətraf mühitə zərər verə bilər və buna görə düzgün şəkildə xaric olunmalıdır.

Tullantı məhsullarının düzgün şəkildə necə xaric olunmasına dair məlumat almaq üçün Təkrar Emal mərkəzinizə və ya distribütorunuza müraciət edin. STIHL, STIHL mütəxəssis vasitəçilərini tövsiyə edir.

Tam istifadə olunmuş cihazın ixtisaslı şəkildə emal olunduğuna əmin olun. Cihazı yalnız tam istifadəyə yararlı olmadıqda emala göndərin. Qəzanın qarşısını almaq üçün yandırma kabelini kənarlaşdırın, çəni boşaldın və motor yağını boşaldın.

Biçmə bıçağı vasitəsilə yaralanma təhlükəsi!

Ot biçəni heç bir vaxt nəzarətsiz saxlamayın. Cihazın xüsusilə də biçmə bıçağını uşaqlardan kənar yerdə saxlanmasına əmin olun.

5. İşarələrin təsviri



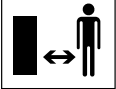
Diqqət!

İşə salmamışdan əvvəl istifadə təlimatını oxuyun.



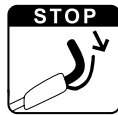
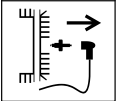
Yaralanma təhlükəsi!

Üçüncü tərəfi təhlükə sahəsindən kənar saxlayın.



Yaralanma təhlükəsi!

Kəsim alətlərində işdən əvvəl, texniki baxış və təmizləmə işlərindən əvvəl yandırma şamını dartın.



Yaralanma təhlükəsi!

Əl və ayaqları bıçaqdan kənar tutun!

Kəsmə hissəsi maşın söndürüldükdən sonra da bir neçə saniyə işləyir (motorun əyləci/bıçaq əyləci).

RM 443, RM 443 T, RM 448 PT, RM 448 T, RM 448 TX:

Daxili yanma mühərrikini işə salın.

RM 443, RM 443 T, RM 448 PT, RM 448 T, RM 448 TX:

Daxili yanma mühərrikini söndürün

RM 443 T, RM 448 PT, RM 448 T, RM 448 TX:
Hərəkət mexanizmini yandırın

RM 448 PC, RM 448 TC, RM 448 VC:

Daxili yanma mühərrikini işə salın.

RM 448 PC, RM 448 TC, RM 448 VC:

Daxili yanma mühərrikini söndürün

RM 448 PC, RM 448 TC, RM 448 VC:

Hərəkət mexanizmini yandırın



RM 448 VC:

Gediş sürətini qurmaq. (⇒ 11.3)

6. Çatdırılma həcmi



2

Ədəd

Mövq Adı

Mövq Adı	Ədəd
A İlk cihaz	1
B Ot səbətinin yuxarı hissəsi	1
C Ot səbətinin aşağı hissəsi	1
D Vintlər	2
– İstifadə üzrə təlimat	1
– İstifadə üzrə təlimat Daxili yanma mühərriki	1

RM 443, RM 443 T, RM 448 PT, RM 448 T, RM 448 TX:

Mövq Adı

Mövq Adı	Ədəd
E Sürətli yerləşdirici	2
F Vint	2
G Kabel şəbəkəsi	2
H Qoruyucu qat	2

RM 448 PC, RM 448 TC, RM 448 VC:

Mövq Adı	Ədəd
I Qat	1
J Vint	1
K Şayba	2
L Qayka	1

7. Cihazı işə hazırlamaq

7.1 Ümumi



Yaralanma təhlükəsi

"Sizin təhlükəsizliyinizə dair" hissəsindəki təhlükəsizlik göstərişlərinə diqqət yetirin. (⇒ 4.)

- Bütün təsvir olunmuş işlər üçün cihazı tarazlanmış, hamar və bərk səthdə yerləşdirin.

7.2 Bir tərəfli sükanı montaj etmək (RM 448 PC, RM 448 TC, RM 448 VC)



- **1** Qatı (I) sükandakı dəliklərə (1) keçirin.
- **2** Hər iki vinti (K) qabarıqlıq içəriyə tərəf olmaqla sükanın daxilinə (1) itələyin.
- **3** Qatı (I) və vintləri (K) saxlayın və sükanla birlikdə (1) sükan konsolunun tutacağına (2) daxil edin.
- **4** Vinti (J) xaricdən daxilə doğru sükanın deliyinə (1) və sükan konsoluna (2) taxın.
- **5** Qaykanı (L) burub bərkidin.

- **6** Vinti (J) bərkidin. Dartma anı: **18 - 22 Nm**

İpi montaj edin:

- RM 448 PC, RM 448 TC:
Motoru dayandıran ipi (3) və hərəkət diski ipini (4) şəkildəki kimi sükan konsolundakı tros istiqamətinə (6) və sükana daxil edin.
RM 448 VC:
Motoru dayandıran ipi (3), hərəkət diski ipini (4) və şəkildəki kimi ip mexanizmini (5) sükan konsolundakı tros istiqamətinə (6) və sükana daxil edin.

7.3 İki tərəfli sükanı montaj edin (RM 443, RM 443 T, RM 448 PT, RM 448 T, RM 448 TX)



- Qoruyucu qatı (H) sükanın hər iki aşağı hissəsinə (1) yerləşdirin.
- Vintləri (F) kabel dəliyi vasitəsilə (G) taxın.
- Sükanın yuxarı hissəsini (2) sükanın aşağı hissələri ilə (1) saxlayın.
- Sol tərəf:
Tros istiqamətini (G) motor dayandırma ipinə (3) asın.
- Sağ tərəf (RM 443 T, RM 448 PT, RM 448 T, RM 448 TX):
Tros istiqamətini (G) motor dayandırma ipinə (4) asın.
- Hər iki tərəfdən vinti (F) daxilə doğru dəliklər vasitəsilə daxil edin.
- İp dartıcısını (E) vintlərdə (F) yerləşdirin (o, təqribən vintin fırlanma deliyində dayanmalıdır) və yuxarıya qatlayın.

- Montajın düzgünlüyünü yoxlayın: Sürətli dartıcılar (E) elə bərk dartılmalıdır ki, onlar sükanda yerləşsin və sükanın yuxarı hissəsi aşağısı ilə birləşsin.
Sükan bərk montaj edilmədikdə və ya çevik dartıcı düzgün oturmadiqda, çevik dartıcını açın və bərk oturana qədər fırladın.

7.4 Ot tutan səbəti qurun



- Səbətin yuxarı hissəsini. (B) səbətin aşağı hissəsinə (C) yerləşdirin. Aparıcı hissədə düzgün mövqeyə diqqət göstərin.
- Boltları (D) daxilədən nəzərdə tutulan dəliklərə doğru basın.
- Ot səbətinin yuxarı hissəsini (B) yüngül təzyiqlə səbətin aşağı hissəsinə itələyin.
- Ot səbətini yerləşdirin (⇒ 8.3).

7.5 Başlanğıc sütunu aşağı yuxarı açın



Açın

- Aılışdırma şamı ştepseli yandırma motorundan dartın.
- Motorun dayandırılması üzrə qolu (1) sükana doğru dartın və saxlayın.
- Başlanğıc sütunu (2) yavaş-yavaş çıxarın.
- Motorun dayandırılması üzrə qolu (1) buraxın və başlanğıc sütunu (2) sütun aparıcısından (3) asın.
- Aılışdırma şamı ştepseli taxın.

Yuxarı dartın

- Alışdırma şamı ştepseli yandırma motorundan dartın.
- Başlanğıc sütunu (2) sütun aparıcısından (3) yuxarı dartın.

7.6 Yanacaq və motor yağı



Cihaza ziyan vurulmasının qarşısını alın!

Birinci dəfə işə başlamamışdan əvvəl motor yağını doldurun. Motor yağını doldurmamışdan əvvəl, o cümlədən çəni doldurarkən yardımçı hissədən (məs. qıfndan) istifadə edin.

Motor yağı:

Motor üçün ayrıca təmin olunmuş təlimat kitabçasındaki motor yağı və onun miqdarı ilə bağlı göstərişlərə diqqət yetirin. Dolma səviyyəsinə müntəzəm olaraq nəzarət edin (Motorun istifadə təlimatlarına baxın). Yağın normadan az və çox olmasına imkan verməyin. Yağ çəni qapağını motoru işə salmamışdan əvvəl müvafiq şəkildə bərkidin.



Yanacaq:

Məsləhət:

təzə yanacaq,

qurğuşunsuz benzin.

Motor üçün ayrıca təmin olunmuş təlimat kitabçasında istifadə olunan yanacağın keyfiyyəti (oktanın miqdarı) ilə bağlı göstərişlərə diqqət yetirin.



8. Xidmət elementi

8.1 Bir tərəfli sükanın qurulması (RM 448 PC, RM 448 TC, RM 448 VC)



İlişmə təhlükəsi!

Tutacağı işə salarkən sükanın yuxarı hissəsini əlinizlə tutub ən yuxarı mövqedə qaldırıb saxlayın. Barmağınızı heç bir zaman sükan və sükan dəliyi arasında (tutacaqdan yuxarıda və aşağıda) yerləşdirməyin.

Sükanı qatlayın:

Nəql mövqeyi (cihazın təmizlənməsi üçün. yerə qənaət edən nəql və saxlama üçün):

- İp keçidində başlanğıc ipi asın. (⇒ 7.5)
- Sükanın yuxarı hissəsini (2) bir əllə ən yüksək yerdə saxlayın və yüngül şəkildə qaldırın (boşaldın).
- Tutacağı (1) aşağı basın və saxlayın.
- Sükanı (2) qabağa bükün.

İş mövqeyi (cihazın itələnməsi üçün):

- Sükanı (2) geriye bükün və sükanın tam olmasına diqqət yetirin.
- Başlanğıc ipi keçiddə asın. (⇒ 7.5)

Yüksəkliyin qurulması:

Mono sükanın hündürlüyü 2 səviyyədə qurula bilər:

- Sükanın yuxarı hissəsini (2) bir əllə ən yüksək yerdə saxlayın və yüngül şəkildə qaldırın (boşaldın).

- Tutacağı (1) aşağı basın və saxlayın.
- Sükanı (2) arzu olunan mövqeyə gətirin.
- Tutacağı (1) buraxın və sükanın tam olmasına diqqət yetirin.

8.2 İkili sükanı qatlamaq (RM 443, RM 443 T, RM 448 PT, RM 448 T, RM 448 TX)



İlişmə təhlükəsi!

Çevik açarın boşaldılması ilə sükanın yuxarı hissəsi bükülə bilər. Buna görə çevik açarı açarkən sükanın yuxarı hissəsini (2) əlinizlə yuxarı mövqedə saxlayın.

Nəql mövqeyi (cihazın təmizlənməsi üçün, yerə qənaət edən nəql və anbarda saxlama üçün):

- başlanğıc sütunu ip aparıcısında asın. (⇒ 7.5)
- çevik dartıcını (1) açın – aşağıya bükün – sükanın yuxarı hissəsini (2) qabağa bükün.

İş mövqeyi (cihazı itələmək üçün):

- sükanın yuxarı hissəsini (2) geriye bükün və əlinizlə saxlayın.
- çevik açarı (1) bağlayın (yuxarıya bükün).
- başlanğıc sütunu ip aparıcısında bərkidin. (⇒ 7.5)

8.3 Ot tutan səbət

Açın:

- qapağı (1) açın və saxlayın.



- ot tutan səbəti (2) tutacaqla cihazın arxa hissəsində qəbul hissəsinə (3) yerləşdirin.
- qapağı (1) yavaş-yavaş bağlayın.

Yuxarı dartın:

- qapağı (1) açın və saxlayın.
- ot səbətini (2) qaldırın və arxaya çəkin.
- qapağı (1) yavaş-yavaş bağlayın.

8.4 Mərkəzi kəsim hündürlüyünün təqdimatı



Ümumilikdə **6** müxtəlif kəsim hündürlüyünü qurmaq olar.

Səviyyə **1 = 25 mm**

Səviyyə **6 = 75 mm**

Kəsim hündürlüyünü qurmaq:

- Tutacağı (1) tutun, dəstəyi (2) yuxarı çəkin və saxlayın.
- Arzu olunan kəsim hündürlüyünü cihazın yuxarı aşağı hərəkəti ilə quraşdırın. Aktual kəsim hündürlüyü kəsim hündürlüyü qeydində (3) işarənin köməyi ilə (4) oxuna bilər
- Dəstəyi (2) tədricən buraxın və işə salın.

8.5 Doldurma göstəricisi



Ot tutan səbət səbətini hissəsində (1) dolma göstəricisi ilə təmin olunub.

Biçmə bıçağının fırlanması ilə yaranan və səbət dolmasına xidmət edən hava axını dolma göstəricisini yüksəldir (2): Ot tutan səbət kəsim məhsulları ilə doldurulur.

Ot tutan səbət ot ilə dolarsa, bu hava axını azalır və dolma göstəricisi aşağı düşür (3):

- Dolmuş səbət boşaldın (⇒ 11.4).

9. Təhlükəsizlik qurğusu

Maşın təhlükəsiz istismar və qeyri-müvafiq istifadənin qarşısının alınması üçün bir neçə təhlükəsizlik cihazı ilə təchiz edilib.



Xəsərət riski!

Əgər təhlükəsizlik cihazı qüsurlu olarsa, maşın istismar edilməməlidir. Mütəxəssis vasitəçi ilə məsləhətləşin; STIHL, STIHL mütəxəssis vasitəçisini tövsiyə edir.

9.1 Qoruyucu alət

Ot biçən kəsim bıçağı və atılan maddələrlə əlaqənin qarşısını alan qoruyucu alətlə təmin olunub. buraya qaz çıxan alət, tulanan maddələr üçün qapaq və müvafiq şəkildə montaj edilmiş sükan daxildir.

9.2 Motorun dayandırılması üzrə qol

Qazon biçən motoru dayandırma hissə ilə təmin olunub.

İşlək vəziyyətdə motorun dayandırılması üzrə qolunu buraxdıqdan sonra yandırma motoru dayanır.

Yandırma motoru və kəsim bıçağı 3 saniyə ərzində sükunət vəziyyətinə gəlir.



Zədələnmə təhlükəsi!

Bıçağın sonrakı istifadəsi müddəti böyük olarsa, cihazı istifadə etməyin və ixtisaslı distribyutora aparın.

Sonrakı vaxtın ölçülməsi

Yandırma motorunun işə salınmasından sonra bıçaq fırlanır və səs eşidilməyə başlayır. Sonrakı vaxt yandırma motorunu söndürdükdən sonra küləyin səsi müddətinə uyğun gəlir, motorun dayandırılması alətini buraxdıqdan sonra o, saatla ölçülə bilər.

10. İşə dair göstərişlər

Gözəl və qalın qazonu

- əldə etmək üçün qazonu aşağı gediş sürəti ilə biçmək lazımdır.
- qazon tez-tez biçilməli və qısa formada saxlanmalıdır.
- İsti və quru iqlimdə qazon qısa biçilməzsə, günəş onu yandıra və görünməz edə bilər.
- əgər iti biçim bıçağından istifadə olunarsa, bıçaq müntəzəm olaraq itilənməlidir (distribyutorlar).
- kəsim istiqaməti müntəzəm olaraq dəyişdirilməlidir.

10.1 Xidmət göstərən iş sahəsi



- Yanma motoru işə düşərkən və fəaliyyət zamanı xidmət göstərən təhlükəsizlik səbəbindən iş sahəsində sükanın arxasında olmalıdır. Sükan tərəfindən verilən təhlükəsizlik məsafəsinə hər zaman riayət edin.
- Ot biçənə yalnız bir nəfər xidmət göstərə bilər, üçüncü tərəf təhlükə sahəsindən kənarında durmalıdır. (⇒ 4.)

11. Cihazı işə salmaq

11.1 Yandırma motoru işə salın



i Yandırma motoru çox hündür otlar olduğu zaman işlətməyin. Çətin işəsalma prosesində daha hündür kəsim hündürlüyünün quraşdırılmasını seçin. İşəsalma prosesindən sonra yandırma motoru sabit qaz tənzimləməsinə əsasən hər zaman optimal dövrətmə sayı ilə işləyir.

- Motorun dayandırılması üzrə qolu (1) sükana doğru dartın və saxlayın.
- İşə salma kəməri (2) sıxmaya qarşı müqavimət yaranana qədər yavaşca dartın. Daha sonra möhkəm və cəld şəkildə qolun uzunluğu qədər dartın. Başlanğıc kəndirini (2) yenidən asta-asta geri yığın ki, o, yenidən bükülüb yığıla bilsin.
- Yandırma motoru işə düşənədək prosesi təkrar edin.

11.2 Yandırma motoru söndürün



- Daxili yandırma motoru söndürmək üçün motorun dayandırılması üzrə qolunu (1) buraxın. Yandırma motoru və ülgüc qısa vaxtdan sonra dayanır.

11.3 Hərəkət mexanizmi (RM 443 T, RM 448 PC, RM 448 PT, RM 448 T, RM 448 TX, RM 448 TC, RM 448 VC)



Ot biçən RM 443 T, RM 448 PC, RM 448 PT, RM 448 T, RM 448 TX, RM 448 TC və RM 448 VC diskə təmin olunub.

RM 443 T, RM 448 PC, RM 448 PT, RM 448 T, RM 448 TX, RM 448 TC: Hərəkət sürəti irəliyə doğru (giriş mexanizmi)

RM 448 VC:

Hərəkət zamanı mərhələsiz qurulan mexanizm sürəti irəliyə doğru (Vario ötürücü mexanizmi)

Hərəkət mexanizmini yandırın:

- Alışdırma motorunu işə salın. (⇒ 11.1)
- Dartma diskini (1) sükana doğru basın və saxlayın. Hərəkət mexanizmi yanır və ot biçən irəli hərəkət edir.

! Cihaza ziyan vurulmasının qarşısını alın!

Hərəkət diskini mexanizmə ziyanın qarşısını almaq üçün hər zaman tam (yekuna kimi) işə salınmalıdır.

Müxəssis sürətini qurmaq (RM 448 VC)

! Cihazın zədələnməsinə yol verməyin!

Vario mexanizmi qolunun yerləşdirilməsini (2) hərəkət edən motorda yerinə yetirməyin.

- Gediş sürətini yüksəldin: Vario mexanizmi qolunu (2) gediş zamanı irəliyə basın.



- Gediş sürətini azaldın: Vario mexanizmi qolunu (2) gediş zamanı geriye dartın.



Hərəkət mexanizmini söndürün:

- Dartma diskini (1) buraxın. Dartma diskini söndür və ot biçən dayanır. Motorun hərəkətini davam etdirir.

11.4 Ot səbətini boşaldın



Yaralanma təhlükəsi!

Səbətini asmamışdan əvvəl təhlükəsizlik səbəbindən yandırma motorunu söndürün.

- Ot səbətini çıxarın. (⇒ 8.3)
- Ot səbətini bağlama örtüyündən (1) açın. Ot səbətini (2) bağlayın və saxlayın. Ot səbətini geriye örtün və kəməri boşaldın.
- Ot səbətini bağlayın.
- Ot səbətini yerləşdirin. (⇒ 8.3)

12. Texniki baxış

12.1 Ümumi



Yaralanma təhlükəsi!

"Sizin təhlükəsizliyinizə dair" hissəsindəki təhlükəsizlik göstərişlərinə diqqət yetirin (⇒ 4.).

Mütəxəssis vasitəçi tərəfindən illik xidmət:

Qazon biçən mütəxəssis vasitəçi tərəfindən illik yoxlanmalıdır. STIHL, STIHL mütəxəssis vasitəçilərini tövsiyə edir.

12.2 Alışdırma motoru

Texniki baxış üzrə interval:

Motorun təlimat kitabçasına baxın.

Ümumi göstərişlər:

Motor üçün təmin olunmuş təlimat kitabçasında xidmət və texniki baxış göstərişlərinə diqqət yetirin.

Uzun müddətli istifadə zamanı yağın kifayət qədər həcmi, yağın və hava filterinin müntəzəm dəyişdirilməsi vacibdir.

Məsləhət görülən yağ dəyişdirilməsi-fasilələri, o cümlədən motor yağı və yağın həcmi ilə bağlı məlumatı motorun istifadə təlimatında tapa bilərsiniz.

Sərinlədicə alətlər hər zaman təmiz saxlanmalıdır, bu, motorun kifayət qədər soyumasını mümkün edə bilər.

12.3 Cihazı təmizləyin



Texniki baxış üzrə interval: Hər işdən sonra

Ehtiyatla davanma cihazınızı zədələrdən qoruyur və istifadə müddətini uzadır.



Yaralanma təhlükəsi!

Daxili yanma mühərrikini söndürün, şamı dartın və cihazı soyumağa qoyun.

Təmizləmə mövqeyinə gətirməmişdən əvvəl yanacaq çənini boşaldın (boşuna işlətməklə).

Cihaz yalnız açılmış qapaqla təmizləmə mövqeyində durur.

- Ən yüksək kəsim hündürlüyünü seçin. (⇒ 8.4)
- Ot səbətini çıxarın. (⇒ 8.3)

Təmizləmə mövqeyi RM 443, RM 443 T, RM 448 PT, RM 448 T, RM 448 TX:

- Sükanın yuxarı hissəsini (1) tutun və çevik dartıcını açın - aşağı qatlayın.
- Sükanın yuxarı hissəsini (1) geriye bükün.
- Qapağı (2) açın və saxlayın.
- Cihazı qabağa doğru qaldırın və şəkildəki kimi təmizləmə mövqeyinə gətirin.

Təmizləmə mövqeyi RM 448 PC, RM 448 TC, RM 448 VC:

- Yuxarı qaldırmaq üçün cihazın sağında dayanın.
- Sükanın yuxarı hissəsini aşağı mövqeyə gətirin (yerə dəyənə kimi tutacaq bu mövqedə bükülmür). (⇒ 8.2)
- Atma qapağını (2) sağ əllə açın və saxlayın.
- Sol əl ilə şəkildəki kimi konsolu tutun və atma qapağını saxlayın. Eyni zamanda tutacağı (3) baş barmaqla işə salın və saxlayın.
- Cihazı sağ əl ilə qabaq tutacaqda saxlayın və şəkildəki kimi sükana yerə dəyənə kimi yavaş-yavaş geriye bükün.
- Atma qapağını (2) və tutacağı (3) buraxın və cihazın təhlükəsiz vəziyyətini yoxlayın.

Təmizləməyə dair göstərişlər:

- Çirkələri yalnız bir az su, fırça və ya dəsmal ilə təmizləyin. Xüsusilə biçmə bıçağını təmizləyin. Yüksək təzyiqli suyu heç vaxt daxili yanma mühərrikinin, birləşdirici hissələrin, toplanma hissələrinin üzərinə yönəltməyin.

- Yığılmış ot qalıqlarını əvvəlcədən taxta ilə kənarlaşdırın.
- Lazım gələrsə xüsusi təmizləyicidən istifadə edin (məs. STIHL xüsusi təmizləyici).

12.4 Bıçaq qaynağını yoxlayın



Texniki baxış üzrə interval: İşə başlamamışdan əvvəl



Yaralanma təhlükəsi!

Bıçaq tətbiq yerindən və müddətindən asılı olaraq kəskin yeyilə bilər. Cihazı qumlu yerdə və quru şəraitdə istifadə etdikdə, bıçaq güclü zədələnə və tez yeyilə bilər. Bərkidilmiş biçmə bıçağı çıxma və ağır yaralanmaya səbəb ola bilər. Bıçağın texniki baxışına dair göstərişlərə hər zaman əməl etmək lazımdır.

- Ot biçəni təmizləmə mövqeyinə gətirin. (⇒ 12.3)
- Biçmə bıçağını (1) təmizləyin.
- Xətkeşi (1) bıçağın qabaq kənarına yerləşdirin və geriye hərəkətini **A** ölçün.
- Ölçmə itələyicisi ilə **B** ölçmə enini (2) ölçün.
- Bıçaq gücünü **C** ən azı 5 yerdə ölçmə itələyicisi ilə (2) yoxlayın. Xüsusilə minimal bərklik bıçaq diskinde olmalıdır.

Birləşdirmə sərhəddi:

Arxaya itələmə **A**: < 15 mm

Bıçaq eni **B**: > 39 mm

Bıçağın gücü **C**: > 2 mm

Bıçağı əvəz edilməlidir,

- əgər zədələnbisə (qırılma, çatılma),
- bir və ya digər hissədə ölçü dəyərləri əldə olunubsa, o cümlədən həddlərə nail olunarsa.

Ot biçəndə xüsusi aksesuar kimi multi bıçaq montaj edilərsə, digər bərkitmə sərhəddləri (aksesuarın istifadə kitabçasına baxın) mövcud ola bilər.

12.5 Biçmə bıçağını çıxarmaq və qurmaq



Demontaj:

- Aidiyyətli (1) taxta hissəsini biçmə bıçağının(2) əksinə istifadə edin.
- Bıçaq vintini (3) çıxarın. Biçmə bıçağı (2), bıçaq vintini (3) və təhlükəsizlik diskini (4) çıxarın.

Montaj:



Yaralanma təhlükəsi!

Biçmə bıçağı (2) yalnız şəkildəki kimi montaj edilə bilər. Örtük (7) aşağıya və yuxarı bıçaq diskinə yerləşdirilə bilər.

Bıçaq vintlərinin yazılmış dartma anına dəqiq əməl olunmalıdır, çünki kəsim alətlərinin təhlükəsiz bərkidilməsi bundan asılıdır. Bıçağın vintlərini (3) əlavə olaraq **Loctite 243** ilə təmin edin.

Bıçaq montajı zamanı təhlükəsizlik vintlərini (4) yeniləyin, bıçaq vintləri (3) hər bıçaq dəyişdirilməsi zamanı əvəz edilməlidir.

- Bıçaq sahələrini və bıçaq qutusunu təmizləyin.

- Biçmə bıçağını (2) yüksən əyilmiş disklərlə yuxarıya doğru (cihaza tərəf) yerləşdirin. Bıçaq qutusunda (5) tutacaqlar biçmə bıçağının dəliyində (6) yerləşdirilməlidir.
- Aidiyyətli (1) taxta hissəsini biçmə bıçağının(2) əksinə istifadə edin.
- Bıçaq vintlərini (3) yeni təhlükəsizlik vintləri ilə (4) fırladın və bərkidin. Dartma anı: **60 - 65 Nm**

12.6 Kəsim bıçağının itilənməsi

STIHL kəsim bıçağının itilənməsini mütəxəsisə həvalə etməyinizi məsləhət görür. Səhv itilənmiş bıçaq (yanlış itilənmə bucağı, nahamarlıq və s) cihazın funksiyalarına təsir göstərəcək.

İtiləmə üzrə göstərişlər:

- Biçmə bıçağını çıxarın (⇒ 12.5)
- Biçmə bıçağını itiləmə zamanı soyudun, məs. su ilə. Ülgüc mavi boya ilə rənglənməməlidir, çünki bu onun kəsim keyfiyyətini azalda bilər.
- Natarazlıqdan yaranan vibrasiyanın qarşısını almaq üçün bıçağı eyni səviyyədə itiləyin.
- İtilənmə bucağını 30° səviyyəsində saxlayın.
- Zəruri hallarda, itiləmədən sonra kəsim kənarındakı çıxıntıları itiləmə kağızı ilə kənarlaşdırın.
- Aşınma məhdudiyətlərini gözləyin. (⇒ 12.4)

12.7 Anbarda saxlama və sükut vəziyyətində anbarlama (qış fasiləsi)

Cihazı quru, bağlı, tozsuz yerdə saxlayın. Cihazın uçaqlardan kənar yerdə saxlanmasına əmin olun.

Pozuntuları anbarlamadan əvvəl aradan qaldırın. Cihaz hər zaman təhlükəsiz şəkildə olmalıdır.

Anbarlama mövqeyinə gətirməmişdən əvvəl yanacaq çənini və qaz çıxan hissəni boşaldın (məs. boşuna işlətməklə).

Cihazı sakit vəziyyətdə uzun müddət saxlayarkən (qış fasiləsi) əlavə olaraq aşağıdakı maddələrə diqqət yetirin:

- Cihazın bütün xarici hissələrini ehtiyatla təmizləyin.
- Bütün hərəkətli hissələri yaxşı yağlayın, o cümlədən qatı yağ vurun.
- Yanacaq şamlarını çıxarın (yandırma motorunun istifadə təlimatına baxın) və təq. 3 cm³ motor yağını yanacaq şamının açılan hissəsi ilə motora doldurun. Yanacaq motorunu yanacaq şamı olmadan işə salın (başlanğıc ipi dartın).



Yanma təhlükəsi!

Yandırma şamını yanma təhlükəsinə görə yanma dəliyindən kənar saxlayın.

- Yandırma şamını yenidən bağlayın (Motorun istifadə təlimatlarına baxın).
- Yağ dəyişməsinə yerinə yetirin (Motorun istifadə təlimatlarına baxın).
- Yanma motorunu örtün və cihazı normal şəraitdə saxlayın.

13. Nəql

13.1 Nəql



Zədələnmə təhlükəsi!

Daşınmadan əvvəl "Təhlükəsizliyiniz üçün" bölməsindəki göstərişlərə diqqət yetirin. (⇒ 4.)

Daşınma zamanı həmişə təhlükəsizlik geyimini (təhlükəsizlik ayaqqabıları, bərk əlcəklər) geyinin.

Qaldırmamışdan və nəql etməmişdən əvvəl həmişə alışıdırma şamı ştepseli dartın. STIHL təhlükəsizlik səbəbləri ilə əlaqədar olaraq cihazı yalnız ikinci şəxsin köməyi ilə qaldırmağı və daşımağı məsləhət görür.

Qaldırmazdan əvvəl "Texniki məlumatlar" bölməsinə diqqət yetirin.

Cihazın daşınması

- İki şəxs:
Cihazı yalnız qabaqdakı tutacaqdan (1) və sükandan (3) tutaraq qaldırın. Hər zaman bədəndən biçmə bıçağına qədər xüsusilə əldən və ayaqdan olan məsafəyə diqqət yetirin.
- Bir şəxs:
Cihazı bir əllə yuxarı tutacağıın ortasında arxadan (2) və digər əllə aşağı nəqliyyat tutacağıından qabaqda tutaraq (1) qaldırın və daşın.

Cihazın yerləşdirilməsi

- Cihazı müvafiq bərkidilmiş materiala malik yükləmə sahəsi ilə təmin edin.
- İpi və ya kəməri aşağıdakı hissələrdə cihaza (4) bərkidin.

14. Ətraf mühitin qorunması



Biçilmiş ot qalığı tullantı deyil və kompostlaşdırılmalıdır.

Qablaşdırma, cihaz və onun hissələri də yenidən emal oluna bilən materiallardan hazırlanıb

və emal edilməlidir.

Material qalıqlarının ayrılmış, ətraf mühitə uyğun emalı dəyərli maddələrin yenidən istifadəsini mümkün edir. Bu səbəbdən cihazın müəyyən istifadəsindən sonra onu dəyərli maddələrin toplandığı yerə götürün. Zəhmət olmasa, "Yenidən emal" bölməsində emal məlumatlarına baxın. (⇒ 4.9)

Tullantı məhsullarının yenidən necə olunması haqqında məlumat üçün Emal mərkəzinə və ya distribyutorunuza müraciət edin.

15. Tullantını azaltmaq və zərərlərin qarşısını almaq

Məhsul qrupunun texniki baxışı və qayğısına dair vacib göstərişlər

Ot biçmə cihazı üçün yanacaq (STIHL RM)

STIHL, istismar təlimatlarında ehtiva edilən, xüsusilə də, təhlükəsizlik, istismar və texniki baxış ilə əlaqədar məlumata riayət etməməkdən yaranan və ya icazəsiz

qurulmuş cihaz və ya ehtiyat hissələrinin istifadəsindən irəli gələn maddi və ya fərdi zədəyə görə öhdəlik daşımır.

Lütfən, STIHL maşınınız üçün baş verə biləcək zədənin və ya həddən artıq aşınmanın qarşısını almaq üçün aşağıdakı mühüm məlumata həmişə əməl edin:

1. Yeyilmə hissələri

STIHL maşınının bəzi hissələri hətta müvafiq şəkildə istifadə edildiyi zaman belə normal yeyilməyə məruz qalır və növündən və istifadə müddətindən asılı olaraq vaxtında dəyişdirilməlidir.

Buraya aiddir :

- Biçmə bıçağı
- Ot tutan səbət
- Kəmər (RM 443 T, RM 448 PC, RM 448 PT, RM 448 T, RM 448 TC, RM 448 TX, RM 448 VC)

2. Bu istifadə təlimatında olan məlumat ilə uyğunluq

STIHL maşını bu istifadə təlimatında göstərilən diqqət ilə istifadə edilməli, təmir edilməli və saxlanmalıdır. Təhlükəsizlik, istismar və texniki baxış təlimatları ilə uyğunsuzluqdan irəli gələn istənilən zədə yalnız istifadəçinin öhdəliyindədir.

Bu xüsusilə tətbiq edilir:

- məhsula STIHL tərəfindən təsdiq olunmayan dəyişikliklərə.
- STIHL tərəfindən icazə verilməmiş yanacaq vasitələrinin (sürtkü maddələri, benzin və motor yağı, mühərrik istehsalçısının təlimatlarına baxın) istifadəsi zamanı.
- Təsdiqlənməyən və ya cihaz üçün müvafiq olmayan, yaxud aşağı keyfiyyətli alətlərin və ya aksesuarların istifadəsi.

- məhsuldan yanlış istifadə.
- Məhsuldan idman və ya yarış məqsədləri üçün istifadə.
- Məhsulun qüsurlu komponentlər ilə davamlı istifadəsi nəticəsində yaranan zədə.

3. Texniki baxış işləri

"Texniki baxış" bölməsində qeyd olunan bütün əməliyyatlar müntəzəm olaraq icra edilməlidir.

Əgər bu texniki baxış işləri istifadəçi tərəfindən icra edilməzsə, mütəxəssis vasitəçi onları yerinə yetirmək üçün səlahiyyətləndirilməlidir.

STIHL, texniki baxış və təmir işlərini yalnız STIHL mütəxəssis vasitəçi tərəfindən həyata keçirməyinizi tövsiyə edir.

STIHL-in mütəxəssis vasitəçiləri müntəzəm olaraq təlim kurslarında iştirak edir və texniki məlumat ilə təmin edilir.

Əgər bu əməliyyatlar nəzarətsiz qalarsa, istifadəçinin öhdəliyində olan xətlər yarana bilər.

digərləri ilə yanaşı buraya aiddir:

- aidiyatsız saxlanma zamanı korroziya və digər zərərlər.
- keyfiyyətə aşağı olan ehtiyat hissələrinin istifadəsi nəticəsində cihaza dəyən ziyan.
- vaxtında edilməyən və ya kifayət qədər olmayan texniki baxış nəticəsində zərərlər, o cümlədən, distribyutorların emalatxanasında yerinə yetirilməmiş texniki baxış və ya təmir işləri nəticəsində zərərlər.

16. Qalıq ehtiyat hissələri

Bıçmə bıçağı RM 443, RM 443 T:

6338 702 0100

Bıçmə bıçağı RM 448 PC, RM 448 PT, RM 448 T, RM 448 TC, RM 448 TX, RM 448 VC:

6358 702 0100

Bıçaq vinti:

9008 319 9028

Təhlükəsizlik diski:

0000 702 6600



Bıçmə bıçağının bərkidilməsi elementləri (məs. bıçaq vinti) bıçağın dəyişdirilməsi, o cümlədən bıçağın montajı zamanı əvəz edilməlidirlər. Ehtiyat hissələrini STIHL distribyutorlarından tapmaq olar.

17. Aİ – Uyğunluğun təsdiqlənməsi

17.1 Ot bıçmə cihazı üçün yanacaq (STIHL RM)

STIHL Tirol GmbH
Hans Peter Stihl-Strasse 5
6336 Langkampfen
Avstriya

yalnız bizim öhdəliyimizə əsasən bəyan edir ki, cihaz

Yandırma motoru ilə işə salınan qazon bıçən (STIHL RM)

Ticarət nişanı:

STIHL

Seriya

6338

identifikasiyası:

Növ:

RM 443.0

RM 443.0 T

Seriya

6358

identifikasiyası:

Növ:

RM 448.0 PC

RM 448.0 PT

RM 448.0 T

RM 448.0 TC

RM 448.0 TX

RM 448.0 VC

aşağıdakı AB Direktivlərinə uyğundur: 2011/65/EU, 2000/14/EC, 2014/30/EU, 2006/42/EC

Məhsul aşağıdakı standartlara uyğun şəkildə hazırlanıb: EN ISO 5395-1, EN ISO 5395-2, EN 14982

Məhsulların inkişafı və hazırlanması üçün istehsal tarixində etibarlı olan norma versiyaları etibarlı sayılır.

Müvafiq uyğunluğun qiymətləndirilməsi proseduru:

Əlavə VIII (2000/14/EC)

Qeyd edilən yerin adı və ünvanı:

TÜV Rheinland LGA Products GmbH
Tillystraße 2
D-90431 Nürnberg

Texniki sənədlərin hazırlanması və saxlanması:

Sven Zimmermann
STIHL Tirol GmbH

İstehsal ili və cihazın nömrəsi cihazın qiymətləndirmə lövhəsində görünür.

Ölçülmüş keçid gücü səviyyəsi:

RM 443.0	93,0 dB(A)
RM 443.0 T	93,0 dB(A)
RM 448.0 PC	95,3 dB(A)
RM 448.0 PT	95,3 dB(A)
RM 448.0 T	95,7 dB(A)
RM 448.0 TC	95,7 dB(A)
RM 448.0 TX	95,3 dB(A)
RM 448.0 VC	95,3 dB(A)

Zəmanətli keçid gücü səviyyəsi:

RM 443.0	94 dB(A)
RM 443.0 T	94 dB(A)
RM 448.0 PC	96 dB(A)
RM 448.0 PT	96 dB(A)
RM 448.0 T	96 dB(A)
RM 448.0 TC	96 dB(A)
RM 448.0 TX	96 dB(A)
RM 448.0 VC	96 dB(A)

Lanqkampfen,
2019-01-02 (İİİ-AA-GG)

STIHL Tirol GmbH

Səlahiyyətli nümayəndə



Sven Zimmermann

Tikinti şöbəsinin müdiri

18. Texniki məlumatlar**RM 443.0, RM 443.0 T, RM 448.0 PC,
RM 448.0 PT, RM 448.0 T, RM 448.0 TC,
RM 448.0 TX, RM 448.0 VC:**

Daxili yanma mühərriki, istehsal ili	Daxili yanma mühərriki 4-takt
İşə salma aləti	İp qoşqusu
Kəsim istiqaməti	Bıçaq tutacaqları
Bıçaq tutacaqları mexanizmi	daimi
Bıçaq vintinin dartılma anı	60 - 65 Nm
Təhlükəsizlik qurğusu	Motor dayandırıcısı
Çarx diametri qabaqda	180 mm
Çarx diametri arxada	200 mm
Ot səbətinin dolma həcmi	55 l
Kəsim hündürlüyü	25 - 75 mm

RM 443.0, RM 443.0 T:

Seriyanın identifikasiyası	6338
Kəsim eni:	41 sm

RM 443.0:

Daxili yanma mühərriki: İstehsalçı, növ	Briggs & Stratton, Series 550 EX OHV RS
Güc	140 sm ³
Fırlanma sayına uyğun güc	2,1 - 2800 kVat - fırlanma/d əq
Yanacaq çəni	0,8 l
Bıçaq tutacaqlarının fırlanma sayı	2800 fırlanma/də q
İşə salma çarxı	xeyr

Uzunluq	144 sm
En	49 sm
Hündürlük	109 sm
Çəki	23 kq

Şüa emissiyası

Qaydaya əsasən 2000/14/EC:

Zəmanətli keçid gücü səviyyəsi L _{WA} d	94 dB(A)
--	----------

Qaydaya əsasən 2006/42/EC:

İş yerində keçid gücü səviyyəsi L _{pA}	81 dB(A)
Təhlükə K _{pA}	2 dB(A)

Əl-qol vibrasiyası

Verilmiş titrətmə dəyəri EN 12096:

Ölçülmüş dəyər _{hVatt}	4,10 m/san ²
Təhlükə K _{hVatt}	2,05 m/san ²

Qaydaya əsasən ölçmə EN 20643

RM 443.0 T:

Daxili yanma mühərriki: İstehsalçı, növ	Briggs & Stratton, Series 550 EX OHV RS
Güc	140 sm ³
Fırlanma sayına uyğun güc	2,1 - 2800 kVat - fırlanma/d əq
Yanacaq çəni	0,8 l
Bıçaq tutacaqlarının fırlanma sayı	2800 fırlanma/də q
İşə salma çarxı	1-ci gediş yümşaq işə düşmə ilə irəli
Uzunluq	144 sm
En	48 sm
Hündürlük	109 sm
Çəki	25 kq

Şüa emissiyası

Qaydaya əsasən 2000/14/EC:

Zəmanətli keçid gücü səviyyəsi L_{WAd} 94 dB(A)

Qaydaya əsasən 2006/42/EC:

İş yerində keçid gücü səviyyəsi L_{pA} 81 dB(A)

Təhlükə K_{pA} 2 dB(A)

Əl-qol vibrasiyası

Verilmiş titrətmə dəyəri EN 12096:

Ölçülmüş dəyər $_{hVatt}$ 4,10 m/san²

Təhlükə K_{hVatt} 2,05 m/san²

Qaydaya əsasən ölçmə EN 20643

RM 448.0 PC, RM 448.0 PT, RM 448.0 T, RM 448.0 TC, RM 448.0 TX, RM 448.0 VC:

Seriyanın identifikasiyası 6358

Kəsim eni 46 sm

RM 448.0 PC:

Daxili yanma mühərriki: İstehsalçı, növ Briggs & Stratton, Series 625

Güc 150 sm³

Fırlanma sayına uyğun güc 2,2 - 2800 kVat - fırlanma/d əq

Yanacaq çəni 0,8 l

Bıçaq tutacaqlarının fırlanma sayı 2800 fırlanma/də q

İşə salma çarxı 1-ci gediş yümşaq işə düşmə ilə irəli

Uzunluq 147 sm

En 50 sm

Hündürlük 113 sm

Çəki 27 kq

Şüa emissiyası

Qaydaya əsasən 2000/14/EC:

Zəmanətli keçid gücü səviyyəsi L_{WAd} 96 dB(A)

Qaydaya əsasən 2006/42/EC:

İş yerində keçid gücü səviyyəsi L_{pA} 83 dB(A)

Təhlükə K_{pA} 2 dB(A)

Əl-qol vibrasiyası

Verilmiş titrətmə dəyəri EN 12096:

Ölçülmüş dəyər $_{hVatt}$ 3,00 m/san²

Təhlükə K_{hVatt} 1,50 m/san²

Qaydaya əsasən ölçmə EN 20643

RM 448.0 PT:

Daxili yanma mühərriki: İstehsalçı, növ Briggs & Stratton, Series 625

Güc 150 sm³

Fırlanma sayına uyğun güc 2,2 - 2800 kVat - fırlanma/d əq

Yanacaq çəni 0,8 l

Bıçaq tutacaqlarının fırlanma sayı 2800 fırlanma/də q

İşə salma çarxı 1-ci gediş yümşaq işə düşmə ilə irəli

Uzunluq 147 sm

En 50 sm

Hündürlük 111 sm

Çəki 27 kq

Şüa emissiyası

Qaydaya əsasən 2000/14/EC:

Zəmanətli keçid gücü səviyyəsi L_{WAd} 96 dB(A)

Qaydaya əsasən 2006/42/EC:

İş yerində keçid gücü səviyyəsi L_{pA} 83 dB(A)

Təhlükə K_{pA} 2 dB(A)

Əl-qol vibrasiyası

Verilmiş titrətmə dəyəri EN 12096:

Ölçülmüş dəyər $_{hVatt}$ 3,90 m/san²

Təhlükə K_{hVatt} 1,95 m/san²

Qaydaya əsasən ölçmə EN 20643

RM 448.0 T:

Daxili yanma mühərriki: İstehsalçı, növ Briggs & Stratton, Series 575

Güc 140 sm³

Fırlanma sayına uyğun güc 2,1 - 2800 kVat - fırlanma/d əq

Yanacaq çəni 0,8 l

Bıçaq tutacaqlarının fırlanma sayı 2800 fırlanma/də q

İşə salma çarxı 1-ci gediş yümşaq işə düşmə ilə irəli

Uzunluq 147 sm

En 50 sm

Hündürlük 111 sm

Çəki 26 kq

Şüa emissiyası

Qaydaya əsasən 2000/14/EC:

Zəmanətli keçid gücü səviyyəsi L_{WAd} 96 dB(A)

Qaydaya əsasən 2006/42/EC:

İş yerində keçid gücü səviyyəsi L_{pA} 83 dB(A)

Təhlükə K_{pA} 2 dB(A)

Əl-qol vibrasiyası

Verilmiş titrətmə dəyəri EN 12096:

Ölçülmüş dəyər $_{hVatt}$ 3,90 m/san²

Təhlükə K_{hVatt} 1,95 m/san²

Qaydaya əsasən ölçmə EN 20643

RM 448.0 TC:

Yandırma motor İstehsalçı, növ	Briggs & Stratton, Series 575
Güc	140 sm ³
Fırlanma sayına uyğun güc	2,1 - 2800 kVat - fırlanma/d əq
Yanacaq çəni	0,8 l
Bıçaq tutacaqlarının fırlanma sayı	2800 fırlanma/də q
İşə salma çarxı	1-ci gediş yümşaq işə düşmə ilə irəli
Uzunluq	147 sm
En	50 sm
Hündürlük	113 sm
Çəki	27 kq

Şüa emissiyası

Qaydaya əsasən 2000/14/EC:	
Zəmanətli keçid gücü səviyyəsi L _{WAd}	96 dB(A)
Qaydaya əsasən 2006/42/EC:	
İş yerində keçid gücü səviyyəsi L _{pA}	83 dB(A)
Təhlükə K _{pA}	2 dB(A)

Əl-qol vibrasiyası

Verilmiş titrətmə dəyəri EN 12096:	
Ölçülmüş dəyər _{hVatt}	3,50 m/san ²
Təhlükə K _{hVatt}	1,75 m/san ²
Qaydaya əsasən ölçmə EN 20643	

RM 448.0 TX:

Yandırma motor İstehsalçı, növ	Briggs & Stratton, Series 550 EX OHV RS
Güc	140 sm ³
Fırlanma sayına uyğun güc	2,1 - 2800 kVat - fırlanma/d əq

Yanacaq çəni	0,8 l
Bıçaq tutacaqlarının fırlanma sayı	2800 fırlanma/də q
İşə salma çarxı	1-ci gediş yümşaq işə düşmə ilə irəli
Uzunluq	147 sm
En	50 sm
Hündürlük	111 sm
Çəki	26 kq

Şüa emissiyası

Qaydaya əsasən 2000/14/EC:	
Zəmanətli keçid gücü səviyyəsi L _{WAd}	96 dB(A)
Qaydaya əsasən 2006/42/EC:	
İş yerində keçid gücü səviyyəsi L _{pA}	83 dB(A)
Təhlükə K _{pA}	2 dB(A)

Əl-qol vibrasiyası

Verilmiş titrətmə dəyəri EN 12096:	
Ölçülmüş dəyər _{hVatt}	4,10 m/san ²
Təhlükə K _{hVatt}	2,05 m/san ²
Qaydaya əsasən ölçmə EN 20643	

RM 448.0 VC:

Daxili yanma mühərriki: İstehsalçı, növ	Briggs & Stratton, Series 625
Güc	150 sm ³
Fırlanma sayına uyğun güc	2,2 - 2800 kVat - fırlanma/d əq
Yanacaq çəni	0,8 l
Bıçaq tutacaqlarının fırlanma sayı	2800 fırlanma/də q
İşə salma çarxı	Vario qabağa
Uzunluq	147 sm
En	50 sm
Hündürlük	113 sm

Çəki	28 kq
------	-------

Şüa emissiyası

Qaydaya əsasən 2000/14/EC:	
Zəmanətli keçid gücü səviyyəsi L _{WAd}	96 dB(A)
Qaydaya əsasən 2006/42/EC:	
İş yerində keçid gücü səviyyəsi L _{pA}	83 dB(A)
Təhlükə K _{pA}	2 dB(A)

Əl-qol vibrasiyası

Verilmiş titrətmə dəyəri EN 12096:	
Ölçülmüş dəyər _{hVatt}	3,00 m/san ²
Təhlükə K _{hVatt}	1,50 m/san ²
Qaydaya əsasən ölçmə EN 20643	

18.1 REACH

REACH kimyəvi maddələrin qeydə alınması, qiymətləndirilməsi və buraxılması

1907/2006 sayılı REACH qaydalarına riayət edilməsi üçün məlumatlar www.stihl.com/reach saytında verilib.

19. Xətanın axtarılması

✘ Lazım olarsa, mütəxəssis vasitəçi ilə əlaqə saxlayın; STIHL, STIHL mütəxəssis vasitəçisini tövsiyə edir.

📖 motorun təlimat kitabçasına baxın.

Qüsurlar:

Yandırma motoru işləmir

Mümkün səbəb:

– Motorun dayandırılması üzrə qol işə salınmayıb.

- Çəndə yanacaq yoxdur; yanacaq xətti tutlub.
- Çəndə pis, çirkli və ya köhnə yanacaq var.
- Hava süzgəci çirklidir.
- Alışdırma şamı ştepseli alışdırma şamından çıxarılıb; yandırma kabeli tıxacca pis taxılıb.
- Alışdırma şamı sürüşüb və ya zədələlib; elektrodlar arası yanlış məsafə.

Həll:

- Motorun dayandırılması üzrə qolunu sükana doğru dartın və saxlayın. (⇒ 9.2)
- Yanacaq doldurun, yanacaq xəttini təmizləyin. ✘
- Hər zaman təzə markalı yanacaqdan, qurğuşunsuz benzindən istifadə edin, qaz çıxan hissəni təmizləyin. ✘
- Hava süzgəcini təmizləyin. ✘
- Alışdırma şamı ştepselini yerləşdirin, yanacaq kabeli və tıxac arasında əlaqəni yoxlayın. ✘
- Alışdırma şamını təmizləyin və ya əvəz edin; elektrod arası məsafəni qurun. ✘

Pozuntu:

Çətin işə salma və ya motorun gücünün zəifləməsi baş verir.

Mümkün səbəblər:

- Ot biçənin üstü çıxan hissəsi tutulub.
- Çox kiçik kəsmə səviyyəsi ilə ot biçilir, o cümlədən itələmə sürəti kəsmə hündürlüyünə nisbətən çox böyükdür.
- Yanacaq çənində və qaz çıxan yerdə su var; qaz çıxan hissə tutulub.
- Yanacaq çəni çirklidir.
- Hava süzgəci çirklənib.

- Qıgılıclm şamı yeyilib.

Yardımlı:

- Ot biçənin qaz çıxan hissəsini təmizləyin (qıgılıclm şamını çıxarın!). (⇒ 12.3)
- Yüksək kəsmə səviyyəsini quraşdırın, o cümlədən itələmə sürətini azaldın. (⇒ 8.4)
- Yanacaq çənini boşaldın, yanacaq xəttini və qaz çıxan hissəni təmizləyin. ✘
- Yanacaq çənini təmizləyin. ✘
- Hava süzgəcini təmizləyin. ✘
- Qıgılıclm şamını təmizləyin ✘

Pozuntu:

Yanma motoru çox istidir.

Mümkün səbəblər:

- Motorda çox az yağ var.
- Sərinlədici hissələr çirklidir.

Yardımlı:

- Motor yağını dəyişin. (⇒ 7.6)
- Sərinlədici hissələri təmizləyin. (⇒ 12.3)

Pozuntu:

İstifadə zamanı güclü vibrasiya.

Mümkün səbəblər:

- Kəsim vahidi qüsurludur.
- Yanma motorunun bərkidilməsi tam deyil.

Yardımlı:

- Biçmə bıçağı, bıçaq dalğası və bərkidilməsini (vintlər və diskilər) yoxlayın və təmir edin. ✘
- Motorun bərkidilmə vintlərini dartın. ✘

Pozuntu:

Düzgün kəsim olmadıqda otlar saralır

Mümkün səbəblər:

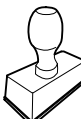
- Otbiçmə bıçağı kütləşib və ya yeyilib

Yardımlı:

- Otbiçmə bıçağını itiləyin və ya əvəz edin (⇒ 12.6), (⇒ 12.5), ✘

20. Xidmət planı

20.1 Təslimat təsdiqi

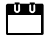
Model: _____
Seriya nömrəsi: <input type="text"/> <input type="text"/> <input type="text"/> <input type="text"/> <input type="text"/> <input type="text"/> <input type="text"/> <input type="text"/> <input type="text"/> <input type="text"/> <input type="text"/>
Tarix: _____

Növbəti xidmət Tarix: _____


20.2 Xidmət təsdiqi

Lütfən, texniki baxış işləri zamanı bu istifadə təlimatını STIHL mütəxəssis vasitəçinizə təslim edin.

O, əvvəlcədən çap olunmuş qutularda icra edilmiş xidmət işlərini təsdiqləyəcək.



 Xidmət icra edilib

 Növbəti xidmət tarixi

Қымбатты сатып алушылар,

STIHL таңдағаныңыз үшін қуаныштымыз. Біз өзіміздің жоғары сапалы өнімдерімізді клиенттеріміздің қажеттіліктеріне сәйкес әзірлейміз және өндіреміз. Тіпті төтенше жүктемелердің өзінде жоғары дәрежелі сенімділікке ие өнімдер осылай жасалады.

STIHL фирмасы да қызмет көрсетудегі жоғары сапаны жақтайды. Біздің мамандандырылған дилерлеріміз білікті кеңес береді және оқытады, сондай-ақ жан-жақты техникалық қолдау көрсетеді.

Сеніміңіз үшін Сізге алғыс білдіреміз және STIHL өнімдерінен көп ләззат алуыңызды тілейміз.

Др. Nikolas Stihl

МАҢЫЗДЫ! ҚОЛДАНУДЫҢ АЛДЫНДА ОҚЫП ШЫҒЫҢЫЗ ЖӘНЕ САҚТАП ҚОЙЫҢЫЗ.

1. Мазмұны

Аталмыш пайдалану жөніндегі нұсқаулық жайында	338	Бір жақты жүргізу тұтқасын орнату (RM 448 PC, RM 448 TC, RM 448 VC)	348
Жалпы ақпарат	338	Екі жақты бас тұтқаны жинау (RM 443, RM 443 T, RM 448 PT, RM 448 T, RM 448 TX)	349
Пайдалану жөніндегі осы нұсқаулықты қалай қолдану керек	338	Шөпжинағыш	349
Құрылғылардың сипаты	339	Орталық кесік биіктігін реттеу	349
Қауіпсіздік шаралары	339	Толтыру деңгейінің индикаторы	350
Жалпы ережелер	339	Сақтандырғыш құрылғылар	350
Жанар-жағар май толтыру - бензинді қолдану ережесі	340	Қорғаныс құрылғылары	350
Киім және әбзел	341	Қозғалтқышты тоқтату тұтқасы	350
Құрылғыны тасымалдау	341	Жұмыс нұсқаулары	350
Жұмысты бастамас бұрын	341	Пайдаланушының жұмыс аймағы	350
Жұмыс уақытында	342	Қолданысқа енгізу	351
Техникалық қызмет көрсету және жөндеу	344	Іштен жанатын қозғалтқышты іске қосу	351
Ұзақ мерзім бойы сақтау	345	Іштен жанатын қозғалтқышты сөндіру	351
Пайдаға асыру	346	Қозғалғыш механизм жетегі (RM 443 T, RM 448 PC, RM 448 PT, RM 448 T, RM 448 TC, RM 448 VC)	351
Таңбалардың сипаттамасы	346	Шөп жинағышты босату	351
Жеткізілім жиынтығы	347	Техникалық қызмет көрсету	352
Қолданысқа дайындау	347	Жалпы ережелер	352
Жалпы ережелер	347	Іштен жанатын қозғалтқыш	352
Бір жақты жүргізу тұтқасын монтаждау (RM 448 PC, RM 448 TC, RM 448 VC)	347	Құрылғыны тазалау	352
Екі жақты бас тұтқаны орнату (RM 443, RM 443 T, RM 448 PT, RM 448 T, RM 448 TX)	347	Пышақ тозуын тексеру	353
Шөпжинағышты монтаждау	348	Шапқыш пышақтарын алу және орнату	353
Стартер арқанын бекіту және босату	348	Шапқыш пышағын қайрау	354
Жанармай және мотор майы	348	Сақтау және қолданыстан шығару (қысқы қаңтарылу кезеңінде)	354
Басқару элементтері	348	Тасымалдау	354
		Тасымалдау	354
		Қоршаған ортаны қорғау	355

Тозу дәрежесін барынша азайту және зақымдардан қорғау	355
Басқа да қосалқы бөлшектер	356
ЕО талаптарына сәйкестік туралы декларация	356
Бензинді көгалшапқыш (STIHL RM)	356
Сәйкестік белгісі	357
Белгіленген қолданыс кезеңі	357
STIHL штаб-пәтері	357
STIHL еншілес кәсіпорындары	357
STIHL өкілдіктері	357
STIHL импорттаушылары	357
Техникалық деректер	358
REACH	361
Ақаулықтарды іздеу	361
Техникалық қызмет көрсету жоспары	362
Берілісті растау	362
Қызмет көрсетуді растау	362

2. Аталмыш пайдалану жөніндегі нұсқаулық жайында

2.1 Жалпы ақпарат

Осы пайдалану жөніндегі нұсқаулық ЕО 2006/42/ЕС директивасына сәйкес келетін өндірушінің **пайдалану жөніндегі түпнұсқалы нұсқаулығы** болып табылады.

STIHL компаниясы өз өнімдерінің таңдауын жетілдіру бағытында үздіксіз жұмыс атқаруда; сондықтан біз өз өнімдеріміздің түріне, өндіру технологиясы мен жабдықталуына өзгеріс енгізуге құқылымыз.

Осы себеппен осы шығарылымдағы мәліметтер мен суреттер жөнінде шағымдар қабылданбайды.

Осы пайдалану жөніндегі нұсқаулықта кейбір елдерде қолжетімді болмайтын үлгілер сипатталған.

Осы пайдалану жөніндегі нұсқаулық заңды түрде қорғалған. Барлық құқықтары, әсіресе жаңғырту, аудару және электрондық жүйелермен өңдеуге құқықтар қорғалған.

2.2 Пайдалану жөніндегі осы нұсқаулықты қалай қолдану керек

Суреттер мен мәтіндер жұмыстың белгілі бір сатыларын сипаттайды.

Көгалшапқыштағы барлық нышандар, пайдалану жөніндегі осы нұсқаулықта түсіндіріледі.

Көз тігу бағыты:

«сол жақта» және «оң жақта» сөздерін жазған кезде, келесі мағына беріледі: пайдаланушы көгалшапқыштың артында тұр және қозғалыстың бағытымен қарайды.

Бөлімдердің нұсқаулары:

Толығырақ ақпаратты табуға болатын бөлімдер мен бөліктер көрсеткішпен белгіленген. Бөлім нұсқауларының мысалы: (⇒ 4.)

Мәтін үзінділерінің белгіленуі:

Бөлек нұсқаулар келесідей белгіленуі мүмкін.

Пайдаланушының орындалатын операцияларының бірізділігі:

- Бұрауыштың көмегімен және тұтқышты (2) қолдана отырып, бұrandаны (1) бұрап алыңыз ...

Жалпы тізімдері:

- Спорттық іс-шаралар мен сайыстарды өткізген кезде өнімді қолдану

Аса маңызды мәтіннің бөліктері:

Оқырманның назарын аудару үшін, пайдалану жөніндегі нұсқаулықтағы мәтіннің ең маңызды үзінділері келесі таңбалармен белгіленеді.



Қауіп-қатер!

Ауыр жарақат пен зақым алу қаупі бар. Белгілі бір әрекеттері белгіленген немесе рұқсат етілмеген.



Ескерту!

Жарақат алу қаупі бар. Жарақаттан аман сақтап қалатын тәсіл көрсетілген.



Абай болыңыз!

Белгілі бір әрекеттердің салдарынан жеңіл жарақаттар келтіріліп, жабдық сынуы мүмкін.



Нұсқау

Оператордың ықтимал қателіктерін болдырмау мақсатымен жабдықты қолдану жөніндегі ұсыныстар.

Суретке сілтемелер:

Құрылғыны пайдалануды көрсететін суреттер Пайдалану жөніндегі нұсқаулықтың басында келтірілген.

Фотокамера белгісі Пайдалану жөніндегі нұсқаулықта келтірілген мәтінге сәйкес суретті нұсқайды.



3. Құрылғылардың сипаты



- 1 Қозғалтқышты тоқтату тұтқасы
- 2 Қозғалғыш механизм жетегінің тұтқасы (RM 443 T, RM 448 PC, RM 448 PT, RM 448 T, RM 448 TX, RM 448 TC, RM 448 VC)
- 3 Vario жетегінің иінтірегі (RM 448 VC)
- 4 Бас тұтқаның жоғарғы бөлігі
- 5 Стартер арқаны
- 6 Тез әрекетті бекіту тетігі (RM 443, RM 443 T, RM 448 PT, RM 448 T, RM 448 TX)
- 7 Бас тұтқаның төменгі бөлігі (RM 443, RM 443 T, RM 448 PT, RM 448 T, RM 448 TX)
- 8 Іштен жанатын қозғалтқыш
- 9 Қорғаныс торы бар дыбысты басқыш
- 10 От алдыру білтесі сымының штекері
- 11 Алдыңғы тұтқа
- 12 Алдыңғы дөңгелек
- 13 Артқы дөңгелек
- 14 Шөп жинағыш
- 15 Артқы тұтқа
- 16 Кесу биіктігін орнату иінтірегі
- 17 Машина нөмірі жазылған төлқұжат
- 18 Басқару консолі (RM 448 PC, RM 448 TC, RM 448 VC)
- 19 Бас тұтқаның тежегіш иінтірегі (RM 448 PC, RM 448 TC, RM 448 VC)

4. Қауіпсіздік шаралары

4.1 Жалпы ережелер



Аспаппен жұмыс істегенде қауіпсіздік техникасын қатаң ұстаныңыз.



Алғаш рет қолданар алдында пайдалану жөніндегі осы нұсқаулықты толығымен оқуыңыз керек. Пайдалану жөніндегі нұсқаулықты тағы да қолдану мақсатында сақтап қойыңыз.

Іштен жанатын қозғалтқышты пайдалану жөніндегі жеке дара нұсқаулықтан Сіз таба алатын пайдалану және қызмет көрсету жөніндегі нұсқаулықтың талаптарын сақтаңыз.

Қауіпсіздік мақсатында мына қауіпсіздік шараларын ұстанған жөн және де нұсқаулықта ескерілмеген басқа да ережелерді ұстану керек. Құрылғыны үнемі ақылмен және жауапкершілікпен пайдаланыңыз және де пайдаланушы басқа тұлғаларға зақым тигізгені үшін және мүлктік бүлдіргені үшін жауапты екенін ұмытпаңыз.

Басқару элементтерімен және құрылғыны пайдалану ережелерімен танысып шығыңыз.

Құрылғыны тек пайдалану жөніндегі нұсқаулықты оқыған және құрылғыны пайдалана алатын тұлғаларға ғана пайдалануға болады. Алғаш рет қолданасыңа енгізер алдында пайдаланушы тәжірибелі маманға жүгінуі керек. Сатушы немесе басқа

маман пайдаланушыға құрылғыны қауіпсіз жолмен пайдалану ережелерін түсіндіруі тиіс.

Нұсқау берген кезде пайдаланушыға құрылғымен жұмыс істеген кезде барынша абай болып, зейін қоя отырып жұмыс істеу керек екенін түсіндірген жөн.

Осы құрылғыны мұқият пайдаланған кезде де әрдайым қалдық тәуекелдер пайда болуы мүмкін.



Тұншығудан өлім қаупі бар!

Орауыш материалмен ойнағаннан балаларға тұншығу қаупі төнуі мүмкін. Орауыш материалды балалардан алшақ ұстаңыз.

Құрылғыны барлық құралдарымен тек осы үлгімен таныс және онымен жұмыс істей алатын тұлғаларға ғана беруге рұқсат етіледі. Пайдалану жөніндегі нұсқаулық құрылғының ажырамас бөлігі болып табылады және жаңа пайдаланушыға құрылғымен бірге берілуге тиіс.

Құрылғымен тек физикалық және психологиялық жағдайы жақсы болғанда ғана жұмыс істеу керек. Денсаулығыңыз нашар болған жағдайда ұсақтағышпен жұмыс істеуге рұқсат алу үшін дәрігерге жолығыңыз. Қимылығыңды нашарлататын дәрілердің немесе алкоголь ішімдіктерінің әсері барда құрылғымен жұмыс істеуге тыйым салынады.

Балалар, дене, сезу не ақыл-ой қабілеттері шектеулі немесе тәжірибесі мен білімі жеткіліксіз адамдарға немесе нұсқаулармен таныс емес адамдарға құрылғыны пайдалануға тыйым салынады.

Балалар мен 16 жасқа толмаған жасөспірімдерге құрылғыны пайдалануға рұқсат бермеңіз. Жергілікті заңнама пайдаланушының ең төмен жасын белгілеуі мүмкін.

Құрылғы тұрмыстық мақсаттарға арналған.

Назар аударыңыз: жазатайым уақиғаның қауіп бар!

Көгалшапқыш тек көгалдарды шабуға ғана арналған. Оны басқа мақсатта қолдануға болмайды, себебі бұл адам үшін қауіпті және жабдық үшін зиянды болуы мүмкін.

Пайдаланушының денсаулығына қауіп төнетіндігіне байланысты көгалшапқышты келесі жұмыстар үшін қолдануға болмайды (тізбесі толық емес):

- өсіп жатқан ағаш шарбақтар, бұта мен ағаштарды бұтау үшін,
- шырмалағыш өсімдіктерді бұтау үшін,
- үй төбесіндегі және балкон жәшіктеріндегі гүлзарға күтім жасау үшін,
- ағаштар мен бұталардың бұтақтарын ұсақтау және бұтау үшін,
- жаяу жүргінші жолдарын тазарту үшін (шаңсорғыш арқылы немесе үрлеу әдісімен),
- топырақтың кедір-бұдыр жерлерін, мысалы, ін көртышқанының қазған жерлерін тегістеу.
- орылған шөпті, бұл үшін қарастырылған шөпжинағыштағыдай тасымалдау үшін.

Қауіпсіздік мақсатында STIHL компаниясы рұқсат еткен керек-жарақтардың дұрыс орнатылымынан басқа, құрылғы құрылымына кез келген өзгерістер енгізуге тыйым салынады, сонымен қатар, мұндай әрекеттер кепілдіктің жойылуына әкеледі. Рұқсат етілген керек-жарақтар туралы мәліметтерді STIHL делдалынан біліп алуға болады.

Сонымен қатар, іштен жанатын қозғалтқыш пен электр қозғалтқыштың айналу жиілігіне немесе қуаттылығына әсер ететін құрылғыны қолмен қозғалтуға тыйым салынған.

Құрылғыны зат, жануарлар мен адамдарды, әсіресе балаларды тасымалдау үшін пайдалануға тыйым салынады.

Қоғамдық орындар, парктер, спорт алаңшаларында, жолда, ауыл және орман шаруашылығында пайдаланған кезде өте сақ болу қажет.



Назар аударыңыз! Діріл денсаулыққа қауіп төндіреді! Дірілге байланысты тым артық

жүктемелің түсуіне орай, әсіресе қан айналымының сырқаттарынан зардап шегетін адамдарда қан айналымының сырқаттары немесе жүйке жүйесінің ауруы пайда болуы мүмкін. Діріл жүктемесінен пайда болуы мүмкін симптомдар анықталған жағдайда дәрігерге қаралыңыз. Көбінесе тіс, алақан немесе білек тұсында пайда болатын симптомдар мынадай (тізімі толық емес):

- апатия,
- аурулар,
- бұлшық ет әлсіздігі,

- терінің пигменттенуі,
- жағымсыз қышыма.

Жұмыс барысында бас тұтқаны екі қолмен және арнайы жерлерінен берік, бірақ тым қатты емес ұстаңыз.

Жұмыс уақытын ұзақ мерзімді жоғары жүктемелерге жол бермейтіндей етіп жоспарлаңыз.

4.2 Жанар-жағар май толтыру - бензинді қолдану ережесі



Өміріңіз үшін қауіпті!

Бензин - улы әрі оңай тұтанатын зат болып табылады.

Бензинді тек осыған арналған және сертификатталған сыйымды ыдыстарда (канистраларда) ғана сақтаңыз. Сұйыққоймалардың қақпақтарын әрқашан дұрыс бұрап алып, дұрыс бұраңыз. Қауіпсіздік талаптарына орай ақаулықтары бар қақпақтарды жаңасына ауыстырған жөн.

Жанармай секілді қолданыс материалдарын пайдаға асыру және сақтау мақсатында, сусындардың бөтелкелері мен соған ұқсас заттарды ешқашан қолданбаңыз. Бөтен адамдар, әсіресе балалар, осы бөтелкенің ішіндегісін ішіп қоюы мүмкін.



Бензинді жанып тұрған оттан, жылу қайнарларынан және ұшқынның басқа да ықтимал қайнарларынан алшақ ұстаңыз. Шылым шекпеңіз!

Жанармайды тек ашық ауада құйыңыз. Жанар-жағар майды құйған кезде шылым шекпеңіз.

Жанар-жағар май құяр алдында, қозғалтқышты сөндіріңіз және суытыңыз.

Қозғалтқышты қосар алдында оған бензин құйыңыз. Жұмыс істеп тұрған немесе әлі суымаған қозғалтқыштың жанармай бағын ашуға және оған бензин құюға болмайды.

Жанармай бағын артық толтырмаңыз!

Жанармай орнының кеңеюіне мүмкіндік беру үшін, жанармай бағын ешқашан толтыру мойнының астыңғы жиегінен асыра толтырмаңыз. Іштен жанатын қозғалтқышты пайдалану жөніндегі нұсқаулықтағы қосымша нұсқауларды орындаңыз.



Егер бензин ағып кеткен болса, онда алдымен бензинмен кірленген қабатты тазартып болғаннан соң, қозғалтқышты іске қосыңыз. Бензин булары буланбағанша, оталдыратын әрекет жасамаңыз (құрғақ шүберекпен сүртіп жіберіңіз).

Ағып кеткен жанармайды әркез сүртіп отырыңыз.

Егер бензин киімге тиіп кеткен болса, киімді ауыстыру керек.

Бағында бензині бар құрылғыны ғимараттың ішінде ешқашан сақтамаңыз. Пайда болатын бензин булары, жанып тұрған отпен немесе ұшқынмен түйісіп, кейін тұтанып кетуі мүмкін.

Қажет болса, жағармайы бар бакты босату керек, бұл шара ашық ауада жасалады.

4.3 Киім және әбзел



Құрылғымен жұмыс істеу үшін табаны сырғанамайтын жабық аяқ киім киіңіз. Жалаң аяқ немесе сандалдармен жұмыс істеуге тыйым салынған.



Тазалайтын жұмыстарды істеген кезде, жұмыс қолғаптарын киіңіз және ұзын шашты жинап қойыңыз (жаулық не бас киім киіңіз).



Шапқыш пышақты қайраған кезде, қорғаныс көзілдірігін кию керек.

Құралды қолданған кезде, тек ұзын шалбар және қонымды киім киіңіз.

Ешқашан да қозғалмалы бөліктерге (басқаратын тұтқыштар) тұрып қалатын кең киімді кимеңіз, әшекейлерді, галстуктарды және мойынорағыштарды тақпаңыз.



Жұмыс барысында шуыл туындайды. Шуыл есту қабілетіне зиян келтіруі мүмкін.

Құлақ қорғайтын жабдықты тағып жүріңіз.

4.4 Құрылғыны тасымалдау

Өткір жүздерден және ыстық бөлшектерден зақымданбау үшін үнемі қолғаппен жұмыс істеу керек.

Қозғалтқышы қосулы тұрған құрылғыны тасымалдамаңыз. Тасымалдар алдында қозғалтқышты сөндіріңіз, пышақтың тоқтауын күтіңіз және түйіспелі оталдыру білтесін суырып алыңыз.

Қозғалтқыш суыған және жағармай бағы босатылған кезде ғана шапқышты тасымалдаңыз.

Сай келетін жүктеу механизмдерін (жүктеу тұғырнамаларын, жүк көтергіш қондырғыларды) пайдаланыңыз.

Құрылғыны және онымен бірге тасымалданатын бөлшектерді (мысалы, шөпжинағыш), жеткілікті көлемдегі бекіткіш заттардың көмегімен (қайыстар, арқандар және т.б.) жүк тасығыш қабатқа бекітіңіз.

Көтерген және тасыған кезде көгалшапқышпен еш түйіспеніз.

«Тасымалдау» бөлімінің тармақтарын ұстаныңыз. Онда, көгалшапқышты тасымалдаған кезде, оны қалай көтеріп бекіту керектігі жайында жазылған. (⇒ 13.)

Құрылғыны тасымалдау кезінде, атап айтсақ, жүктеу тұғырнамаларында жүктің және тасымалданатын заттың қауіпсіздігіне қатысты жергілікті заңдардың талаптарын орындау қажет.

4.5 Жұмысты бастамас бұрын

Құрылғыны пайдалану жөніндегі нұсқаулықты оқып шыққан адамдар ғана пайдаланатынына көз жеткізіңіз.

Құрылғыны қолданысқа енгізуден бұрын жанармай жүйесінің бітеулігін тексеріңіз, әсіресе жанармай бағы, жанармай бағының қақпағы және шланг байланыстары секілді бөліктерінде. Жанармай ағып кеткен кезде немесе зақым келген кезде іштен жанатын қозғалтқышты қосуға тыйым салынады – **бұл өртке әкелуі мүмкін!** Құрылғыны қолданысқа енгізуден

бұрын оны арнайы мамандандырылған қызмет көрсету орталығында жөндеу керек.

ІЖҚ мен электр қозғалтқышпен жабдықталған бақ аспаптарын пайдалану ережелерін сақтаңыз.

Жұмыс аумағын мұқият қарап шығыңыз және одан барлық тастар, таяқтар, сым кесектері, сүйектер және көгалшапқыш үстіге лақтырып қалуы мүмкін басқа да бөгде заттарды алып тастаңыз. Биік шөпте ағаш түбірі мен ағаш томары секілді кедергіні байқамай кетуге де болады.

Сондықтан көгалшапқышпен жұмыс бастамас бұрын шөп алаңында қалып қойған барлық кетірілмейтін бөгде заттарды (кедергілерді) белгілеп қою керек.

Құрылғыны пайдаланар алдында ақауларды жойып, барлық тозған және зақым келген бөлшектерді алмастыру керек. Құрылғыдағы анық емес немесе зақымдалған қауіп және ескерту белгілерін жаңартыңыз. STIHL делдалыңызда қосалқы жапсырмалар мен барлық басқа қосалқы бөліктер бар.

Құрылғыны пайдаланар алдында от алдыру білтесі сымының штекері жағу шамына сенімді орнатылғандығына көз жеткізіңіз.

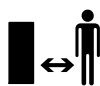
Тек қолданысқа жарамды күйдегі құрылғыны қолданыңыз. Жұмысты бастау алдында төмендегілерді тексеру керек:

– құрылғының дұрыс орнатылғанын.

- кескіш құрал және бүкіл кескіш бөліктің (шапқыш пышағы, бекіткіш элементтер, көгалшапқыштың корпусы) мінсіз күйін. Бас назарды берік орнатылғанына, бүлінген (жарықтар немесе сызаттар), сондай-ақ тозған жерлердің бар-жоғына аударыңыз. (⇒ 12.4)
- бак қақпағы дұрыс орнатылғанын.
- бак пен жанармай өткізетін бөліктердің, сондай-ақ, бак қақпағының мінсіз күйінде екендігін.
- қауіпсіздік құрылғылары (мысалы, қозғалтқышты тоқтату тұтқасы, лақтырманың қақпағы, корпус, бас тұтқа, қорғаныш тор) қалыпты күйінде екендігін және тиісінше жұмыс істеп тұрғанын.
- шөп жинағышта зақымдалған жерлердің бар-жоғын және дұрыс орнатылғандығын; зақымдалған шөп жинағышты қолдануға болмайды.
- бұрандалы тығынның майлы сұйыққоймаға дұрыс бұрап бекітілгенін.

Қажет болса, барлық қажетті жұмыстарды орындаңыз немесе делдалға хабарласыңыз. STIHL компаниясы STIHL делдалдарын ұсынады.

4.6 Жұмыс уақытында



Жануарлар немесе құстар, әсіресе балалар қауіпті аумақта болғанда, ешбір жағдайда жұмыс істемеңіз.

Құрылғыға орнатылған ауыстырып-қосқыштар мен сақтандырғыш құрылғыларды алуға немесе қайта қосуға болмайды. Әсіресе,

қозғалтқышты тоқтату тұтқасын бас тұтқаға бекітуге тыйым салынады (мысалы, байлау арқылы).



Назар аударыңыз: жарақат алу қаупі бар!

Айналмалы бөлшектердің жанына қол-аяқтарыңызды ешқашан жақындатпаңыз. Айналмалы пышақты ұстамаңыз. Қалдықтарды лақтыратын саңылаудан едәуір қашықтықта тұрыңыз.

Жұмыс істеп тұрған шапқыштан әркез қауіпсіз қашықтықта тұрыңыз. Тұтқасы тиісті тұрпатта монтаждалуға тиіс, құрылымына еш өзгеріс енгізуге болмайды. Тұтқасы жиналып қойылған көгалшапқышты ешқашан қолданбаңыз.

Ешбір жағдайда заттарды меңгерікке қыстырмаңыз (мысалы, жұмыс киімін).

Жұмысты күндіз немесе жеткілікті дәрежедегі жасанды жарық болған жағдайда ғана орындаған жөн.

Құрылғымен жаңбыр, күн күркірегенде және әсіресе найзағай жарқылдағанда жұмыс істеуге болмайды.

Су жерлерде орнықты тұрмайтындықтан жазатайым оқиға қаупі артады.

Жұмыс барысында сырғанап кетпеу үшін ерекше абай болған жөн.

Мүмкіндігінше құрылғыны дымқыл жерлерде қолданудың алдын алу керек.

Пайдаланылып болған газ:

Улану арқылы өлім қауіп-қатері бар!

Жүрегіңіз айныған, бас ауырған, көру қабілетіңіз нашарлаған (мысалы, көру ауқымы азайса), есту қабілетіңіз нашарласа, басыңыз айналса, зейін қою қабілеті төмендесе, жұмысты дереу тоқтатыңыз. Бұл симптомдар жанатын өнімдердің жоғары мөлшеріне байланысты болуы мүмкін.



Қозғалтқыш өзінше істеп тұрғанша құрылғы пайдаланылып болған газды шығарады. Бұл газдардың құрамында улы көміртегінің қос тетігі, түссіз және иіссіз газ, және басқа да зиянды заттар бар. Қозғалтқышты жабық және нашар желдетілетін үй-жайларда ешқашан да қосуға болмайды.

Іске қосу:

Құрылғыны абайлап іске қосыңыз – «Құрылғыны іске қосу» (⇒ 11.) бөліміндегі нұсқауларды орындаңыз. Аталған нұсқауларға сай іске қосу жарақат алу қаупін азайтады.

Жарақат алу қаупі бар!

Стартер арқаны жылдам кері секіріп кеткенде, білезік пен қол стартер арқанының босатылуынан жылдамырақ іштен жанатын қозғалтқыш ішіне тартылып қалады. Мұндай кері соғу сүйек сынығына, қысылуға және буын шығуға апарып соғуы мүмкін.

Іске қосу кезінде аяқтарыңыз кескіш құралдан жеткілікті қашықтықта болғанына көз жеткізіңіз.

Бастау кезінде құрылғыны аударуға болмайды.

Іске қосқан кезде қозғалғыш механизм жетегінің доғасын ұстауға болмайды.

Қалдықтарды лақтыруға арналған арналар қақпақпен немесе шөпжинағышпен жабылмаған болса, қозғалтқышты сөндірмеңіз.

Еңістерде жұмыс істеу:

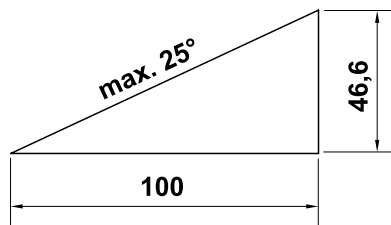
Еңіс жерде тек көлденең бағытта қозғалуға болады, бірақ бойлай қозғалмаңыз.

Егер пайдаланушы, еңістің бойымен көгалшапқышпен қозғалған кезде, оны басқара алмай қалған болса, шапқыш оны аяқтан жығуы мүмкін.

Егер Сіз қозғалыс бағытын жүріп жатқан кезде өзгертетін болсаңыз, өте сақ болыңыз.

Еңіс жерде жұмыс істеген кезде шапқыштың орнықтылығын байқап тұрыңыз, өте еңіс жердегі шөпті шаппаңыз.

Қауіпсіздік түсінігіне орай, құрылғымен 25° ($46,6\%$) жоғары болатын еңіс жерде жұмыс істеуге болмайды. **Жарақат алу қаупі бар!** 25° ылди тіктігі - $46,6$ см тік өріне және 100 см көлденең ұзындығына сай келеді.



Бұйымды қолданған кезде қозғалтқыштың жеткілікті майлауына кепіл беру үшін, асып қойған кезде, аспаппен бірге жеткізілетін іштен жанатын қозғалтқышты пайдалану жөніндегі нұсқаулықтағы деректерге қосымша назар аударыңыз.

Жұмыстың басталуы:

Жарақат алу қаупі бар!

Айналмалы бөлшектерге қолдарыңызды немесе аяқтарыңызды тигізуге болмайды.



Көгалшапқыш қосылмайынша, пышақты тексеруге тырыспаңыз.

Қалдықтарды лақтыруға арналған саңылаудың жапқышын ешқашан ашпаңыз және/немесе жұмыс істеп тұрған көгалшапқыштың шөп жинағышын алмаңыз. Айналмалы пышақ жарақаттың себепкері болуы мүмкін.

Құрылғының қолданысы жүрістің жылдамдығына негізделген - жұмыс уақытында жүгіруге болмайды. Құрылғымен бірге жылдам қозғалған кезде: сүрініп қалу, тайғанап кету және т.б. нәтижесінде жарақат алу қаупі төнеді.

Шапқыштың бағытын өзгертіп жатқан кезде немесе оны өзіңізге қарай тартқан кезде өте абай болыңыз.

Абай болыңыз: сүрініп қалуыңыз мүмкін!

Еңістер, алқап жиектері, арықтар мен бөгеттердің жанында жұмыс істеген кезде құрылғыны абайлап пайдаланыңыз. Әсіресе мұндай қауіпті жерлерден жеткілікті қашықтықта болуын қадағалаңыз.

Қыртыстағы жасырын нысандарды (көгалда бүрку жабдығы, діңгектер, су клапандары, іргетастар, электрлік сымдар және т.б.) өткізіп жіберу керек. Мұндай бөгде заттардың үстінен ешқашан жүргізбеңіз.



STOP

Кескіш құрал ажыратылғаннан кейін толық тоқтағанға дейін біршама уақыт өтетінін естен шығармаңыз.

Төмендегі жағдайларда іштен жанатын қозғалтқышты сөндіріңіз, жұмыс істеп тұрған жұмыс құралы тоқтағанша күтіңіз және от алдыру білтесі сымының штекерін суырып алыңыз:

- құрылғыны қалдырған немесе ол бақылаусыз қалған жағдайда,
- жанармай құю алдында. Іштен жанатын қозғалтқыш суығанда ғана жанармай құйыңыз.
Өрт қаупі бар!
- лақтырманың науасындағы бұғаттауды босату немесе бітелген жерлерін кетіру алдында,
- құрылғыны көтеріп алып, тасымалдау алдында,
- құрылғыны тасымалдау алдында,
- шапқыш пышағымен жұмыс істеу алдында,
- құрылғыны тексеріп тазарту алдында немесе өзге де жұмыстарды жүргізу алдында (мысалы, бас тұтқаны жинау),
- бөгде заттар түсіп кеткен немесе көгалшапқыш өте қатты дірілдеген жағдайда. Бұл жағдайда құрылғыда, әсіресе кескіш бөлікте (пышақ, кесетін десте, пышақтың бекіткіші)

зақымдалған жерлердің бар-жоғын тексеріңіз және құрылғыны іске қосып, оның жұмысын жалғастырмаз бұрын қажетті жөндеу жұмыстарын орындаңыз.



Жарақат алу қаупі бар!

Қатты дірілдер әдетте ақаулықтың белгісі болып табылады. Көгалшапқыштың, әсіресе, иінді білігі майысқан немесе шапқыш пышағы зақымдалған немесе майысқан болса, оны қолдануға болмайды. Қандай да кеңестер қажет болған жағдайда, барлық қажетті жұмыстарды кәсіпқой маманға орындауға беріңіз – STIHL компаниясы STIHL делдалдарын ұсынады.

Қозғалтқышты мына жағдайда сөндіріңіз,

- Сіз көгалшапқышты шөп алаңына және одан кері тасығанда,
- көгалшапқышты тақыр жерге сүйретіп әкелер алдында,
- түсіріп тастауға арналған жапқышты ашар немесе шөп жинағышты алар алдында,
- көгалшапқышты тасымалдау мақсатында аудару үшін,
- кесік биіктігін орнатар алдында.

4.7 Техникалық қызмет көрсету және жөндеу

Тазалау, орнату, жөндеу және техникалық қызмет көрсету жұмыстарын бастамас бұрын:

- Құрылғыны берік, тегіс жерге қойыңыз,
- Іштен жанатын қозғалтқышты өшіріңіз және суытыңыз,
- От алдыру білтесі сымының штекерін шығарыңыз.



Назар аударыңыз – жарақат алу қаупі бар!

От алдыру білтесі сымының штекерін от алдыру білтесінен алшақ ұстаңыз, себебі күтілмеген ұшқын өрт не ток соғуға әкелуі мүмкін.

От алдыру білтесінің от алдыру білтесі сымының штекеріне абайсыз тию іштен жанатын қозғалтқыштың күтілмеген іске қосылуына әкелуі мүмкін.



Жарақат алу қаупі бар: шабу пышағы!

Стартер арқанын созу арқылы, жұмыс құралдары айналмалы түрде қозғалатын болады. Сіз стартердің арқанын созып жатқан кезде, көгалшапқышқа қарай қашықтықтың жеткілігіне, әсіресе қол-аяғыңызға аса назар аударыңыз.

Жұмысты бастар алдында, қозғалтқыштың, дем шығаратын коллектордың және шу басқыштың аумағындағы құрылғының суығанын күтіңіз. Температурасы 80° С және одан да жоғары болуы мүмкін. **Жану қаупі бар!**

Мотор майымен тікелей жанасу қауіпті болуы мүмкін, оған қоса, мотор майын төгуге болмайды.

STIHL компаниясы мотор майын құю және мотор майын ауыстыру үшін STIHL делдалдарына жүгінуді ұсынады.

Тазалау:

Қолданып болғаннан кейін, құрылғы жақсылап тазартылуы керек. (⇒ 12.3)

Көгалшапқышты тазалауға арналған күйге орнатар алдында, жанармай бағын босатыңыз (жанармайды тауысыңыз).

Шөптің қалдығын ағаш таяқпен кетіріңіз. Шапқыштың астыңғы бөлігін қылшақпен жуыңыз.

Ешқашан жоғары қысымды тазалағышты пайдаланбаңыз және құрылғыны ағынды сумен жумаңыз (мысалы, бақшалық шлангінгің көмегімен).

Агрессивті жуғыш заттарды пайдаланбаңыз. Бұлар пластиктің немесе металдың зақымдалуына әкеліп, STIHL құрылғысының қауіпсіз жұмысына теріс әсер етуі мүмкін.

Өрттің туындау қаупін азайту үшін, желдеткіш тесіктер, суытқыш қырлар және пайдаланылған газдарды шығаратын құбырдың жанында: шөп, сабан, мұк, қураған жапырақ және ағып кеткен майлаудың болмағанына көз жеткізіңіз.

Техникалық қызмет көрсету жөніндегі жұмыстар:

Осы пайдалану жөніндегі нұсқаулықта көрсетілген техникалық қызмет көрсету жөніндегі жұмыстарды орындаңыз, барлық басқа жұмыстарды делдал өткізуі тиіс.

Қажетті құралдар мен білім жетіспеген жағдайда **дереу** делдалға хабарласыңыз.

STIHL компаниясы техникалық қызмет көрсету жөніндегі жұмыстарды және жөндеуді орындау үшін тек STIHL делдалдарына жүгінуді ұсынады.

STIHL делдалдары тұрақты түрде оқытуды ұсынады және техникалық ақпаратты қамтамасыз етеді.

Аталмыш құрылғы үшін тек қана STIHL компаниясы рұқсат еткен немесе техникалық тұрғыдан бірдей құралдарды, керек-жарақтар мен аспалы жабдықтарды пайдаланыңыз, әйтпесе адамдарға зақым келтіру немесе құрылғының бұзылу қаупі туындайды. Сұрақтар болған жағдайда делдалға хабарласыңыз.

STIHL компаниясының түпнұсқа құралдары, керек-жарақтары мен қосалқы бөлшектері өз қасиеттері бойынша құрылғы үшін оңтайлы және пайдаланушының талаптарына сай келеді. STIHL түпнұсқа қосалқы бөлшектерін STIHL қосалқы бөлшек нөмірі, STIHL атауы және қажет болғанда STIHL қосалқы бөлшек коды бойынша анықтауға болады. Ұсақ бөлшектерде тек бөлшек нөмірі ғана болуы мүмкін.

Қауіпсіздік түсінігіне орай, жанармай беру жүйесімен байланысты барлық бөлшектердің (жанармай құбырлары, жанармай шүмегі, жанармай бағы, бак қысқышы, жалғағыштар) зақымдалған және тамшылайтын жерлерін үнемі тексеріп тұрып, қажет болған жағдайда, оларды ауыстыру үшін маманды шақырыңыз (STIHL компаниясы STIHL делдалдарының қызметіне жүгінуді ұсынады).

Ескерту және нұсқау жапсырмалары әрқашан таза және оқылатын күйде болуы керек. Зақымдалған немесе жоғалған жапсырмаларды STIHL делдалдарының жаңа түпнұсқа жапсырмаларына ауыстырыңыз. Бөлшекті жаңасына ауыстырған кезде,

жаңа бөлшекте дәл сондай жапсырманың бар болғанына көз жеткізіңіз.

Кескіш бөліктің жұмысын тек мықты жұмыс қолғаптарын киіп, өте сақ түрде орындаңыз.

Барлық сомындар, бұрандамалар мен бұрандалар, әсіресе пышақ бұрандасы жақсылап тартылғанын және құрылғының қауіпсіз әрі қалыпты күйінде тұрғанын байқап тұрыңыз.

Құрал мен шөпжинағышта тозған және зақымды жерлерінің бар-жоғын әсіресе қоймаға қабылдар алдында үнемі тексеріп отырыңыз (мысалы, қысқы үзілік кезінде). Қауіпсіздік түсінігіне орай, тозған және зақымданған бөлшектерді дереу ауыстыру керек, соның арқасында құрал қауіпсіз әрі қалыпты қолданыс жағдайында болады.

Қозғалтқыштың негізгі реттелген күйін ешқашан өзгертпеңіз және оны тым жоғары айналыстарда қолданбаңыз.

Егер техникалық қызмет көрсету кезінде қандай да бір бөліктер немесе қорғаныш құрылғылары алынып тасталса, нұсқаулықтың талабына сәйкес оларды орнына орнату қажет.

4.8 Ұзақ мерзім бойы сақтау

Шапқышты жабық үй-жайға апарар алдында, моторды суытыңыз.

Жағармай бағы босатылған шапқышты - жабылатын және жақсы желдетілетін үй-жайда сақтаңыз.

Оқымаған адамға (мысалы, балаларға) ұсақтағышпен жұмыс істеуге тыйым салынған.

Бағында бензині бар құрылғыны ғимараттың ішінде ешқашан сақтамаңыз. Пайда болатын бензин булары, жанып тұрған отпен немесе ұшқынмен түйісіп, кейін тұтанып кетуі мүмкін.

Қажет болғанда, мысалы, қыс маусымында шапқышты қолданысқа енгізер алдында жағармай багін босатыңыз, бірақ осы жұмысты тек ашық ауада жасаңыз (барлық жағармайды жұмсаңыз).

Ұзақ уақыт сақтау алдында (мысалы, қыс айларында) құрылғыны мұқият тазарту қажет.

Шапқышты сақтағанда, ондағы тұтандыру білтесінің түйіспелі ұштығын алып шығарып қойыңыз.

Құрылғыны тек жұмысқа жарамды күйінде ғана пайдаланған жөн.

Құрылғыны бүркеп қояр алдында, оны суытыңыз.

4.9 Пайдаға асыру

Ескі май немесе жанармай сияқты қалдықтар, қолданылып болған материалдар, сүзгілер, аккумуляторлар және басқа да тез тозатын бөлшектер адамға, жануарларға және экологияға зиян келтіруі мүмкін, сондықтан тиісті тұрпатта кедеге жаратылуы керек.

Қалдықтарды қалайша кәсіби түрде пайдаға асыруға болатындығын білу үшін қайта өңдеу орталығыңызға немесе делдалдарға жүгініңіз. STIHL компаниясы STIHL делдалдарын ұсынады.

Ауыстырылған агрегат нұсқаулыққа сәйкес пайдаға асырылатынына көз жеткізіңіз. Пайдаға асырар алдында,

агрегатты қолданысқа жарамсыз етіңіз. Жазатайым уақиғалардан қорғану мақсатында, оталдыру сымын ағытып, жағармай бағын босатып, мотор майын ағызып жіберген жөн.

Жарақат алу қаупі бар: шабу пышағы!

Ескі шабу пышағын ешқашан қараусыз қалдырмаңыз. Құрылғы мен әсіресе шабу пышағы балалардан алшақ жерде тұрғанына көз жеткізіңіз.

5. Таңбалардың сипаттамасы



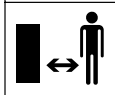
Назар аударыңыз!

Қолданар алдында пайдалану жөніндегі нұсқаулықты оқып шығыңыз.



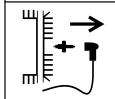
Жарақат алу қаупі бар!

Қауіпті аймақта адамдардың болуына тыйым салынған.



Жарақат алу қаупі бар!

Кескіш құралмен, қызмет көрсететін және тазартатын жұмыс істер алдында оталдыру білтесінің түйіспелі ұштығын суырып алыңыз.



Жарақат алу қаупі бар!

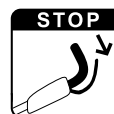
Қолыңыз бен аяғыңызды пышақтардан алшақ ұстаңыз!

Кескіш құрылғылар өшіргеннен кейін бірнеше секунд ішінде айналып тұрады (іштен жанатын қозғалтқыштың тежегіші/пышақ тежегіші).



RM 443, RM 443 T, RM 448 PT, RM 448 T, RM 448 TX:

Іштен жанатын қозғалтқышты іске қосу



RM 443, RM 443 T, RM 448 PT, RM 448 T, RM 448 TX:

Іштен жанатын қозғалтқышты сөндіру



RM 443 T, RM 448 PT, RM 448 T, RM 448 TX:

Қозғалғыш механизм жетегін қосу



RM 448 PC, RM 448 TC, RM 448 VC:

Іштен жанатын қозғалтқышты іске қосу



RM 448 PC, RM 448 TC, RM 448 VC:

Іштен жанатын қозғалтқышты сөндіру



RM 448 PC, RM 448 TC, RM 448 VC:

Қозғалғыш механизм жетегін қосу



RM 448 VC:
Қозғалыс жылдамдығын
орнатыңыз. (⇒ 11.3)



6. Жеткізілім жиынтығы



Поз.	Атауы	Саны
A	Негізгі құрылғы	1
B	Шөп жинағыштың жоғарғы жағы	1
C	Шөп жинағыштың төменгі жағы	1
D	Болт	2
–	Пайдалану жөніндегі нұсқаулық	1
–	Пайдалану жөніндегі нұсқаулық Іштен жанатын қозғалтқыш	1

**RM 443, RM 443 T, RM 448 PT,
RM 448 T, RM 448 TX:**

Поз.	Атауы	Саны
E	Тез әрекетті бекіту тетігі	2
F	Бұранда	2
G	Шоғырсымды ұстаушы	2
H	Сақтандыратын жиектеме	2

RM 448 PC, RM 448 TC, RM 448 VC:

Поз.	Атауы	Саны
I	Гильза	1
J	Бұранда	1
K	Шайба	2
L	Гайка	1

7. Қолданысқа дайындау

7.1 Жалпы ережелер



Жарақат алу қаупі бар
«Қауіпсіздік шаралары»
бөліміндегі қауіпсіздік
техникасының нұсқауларын
ұстаныңыз. (⇒ 4.)

- Барлық сипатталған жұмыстарды орындаған кезде шапқыш: жатық, тегіс және берік қабатта тұруы керек.

7.2 Бір жақты жүргізу тұтқасын монтаждау (RM 448 PC, RM 448 TC, RM 448 VC)



- **1** Төлкені (I) бас тұтқадағы (1) саңылауға орнатыңыз.
- **2** Екі шайбаны (K) шығыңқы жағымен бас тұтқа (1) төлкесінің ішіне енгізіңіз.
- **3** Төлкені (I) және шайбаларды (K) ұстап тұрыңыз және бас тұтқамен (1) бірге басқару консоліндегі (2) бекіткішке бағыттаңыз.
- **4** Бұранданы (J) сыртынан ішіне қарай бас тұтқадағы (1) саңылаулар арқылы және басқару консоліне (2) енгізіңіз.
- **5** Гайканы (L) бұрап бекітіңіз.

- **6** Бұранданы (J) берік бұрап бекітіңіз. Созылу мезеті: **18 - 22 Нм**

Арқандық жетекті орнату:

- RM 448 PC, RM 448 TC:
Қозғалтқышты тоқтататын арқандық жетекті (3) және қозғалғыш механизм жетегінің арқандық жетегін (4) суретте көрсетілгендей басқару консолі мен бас тұтқадағы арқандық бағыттауыштарға (6) орнатыңыз.
RM 448 VC:
Қозғалтқышты тоқтататын арқандық жетекті (3), қозғалғыш механизм жетегінің арқандық жетегін (4) және Varjo жетегінің сымын (5) суретте көрсетілгендей басқару консолі мен бас тұтқадағы арқандық бағыттауыштарға (6) орнатыңыз.

7.3 Екі жақты бас тұтқаны орнату (RM 443, RM 443 T, RM 448 PT, RM 448 T, RM 448 TX)



- Сақтандыратын жиектемені (H) қос бас тұтқаның төменгі бөлігіне (1) орнатыңыз.
- Бұранданы (F) шоғырсымды ұстаушыдағы (G) саңылау арқылы орнатыңыз.
- Бас тұтқаның жоғарғы бөлігін (2) бас тұтқаның төменгі бөлігіне (1) бекітіңіз.
- Сол жақ:
Шоғырсымды ұстаушыны (G) арқан жетегінің қозғалтқышты тоқтату (3) құралына іліп қойыңыз.

- Оң жақ (RM 443 T, RM 448 PT, RM 448 T, RM 448 TX): Шоғырсымды ұстаушыны (G) арқан жетегінің қозғалғыш жетегінің иінтірегіне (4) іліп қойыңыз.
- Екі жақтағы бұранданы (F) іштен сыртқа қарай саңылаулар арқылы кіргізіңіз.
- Тез әрекетті бекіту тетігін (E) бұрандаларға (F) бұраңыз (бұранда қадамы шығып тұруы керек) және қайырыңыз.
- Монтаждаудың дұрыстығын тексеру: Тез әрекетті бекіту тетігі (E) қатты кигізілгендіктен иінтірекке өте тығыз жатуы керек және бас тұтқаның жоғарғы бөлігі төменгі бөлігімен берік қосылуы керек. Егер бас тұтқа берік орнатылмаса немесе тез әрекетті бекіту тетігі дұрыс отырмаса, тез әрекетті бекіту тетігін ашып, қатты берік болғанша бұрау керек.

7.4 Шөпжинағышты монтаждау



- Шөпжинағыштың жоғарғы бөлігін (B) шөпжинағыштың төменгі бөлігіне (C) орнатыңыз. Дұрыс орнату позициясын нұсқаулықтан қараңыз.
- Болттар (D) қарастырылған тесіктер арқылы ішінен қысылады.
- Шөпжинағыштың (B) жоғарғы бөлігін шөпжинағыштың төменгі бөлігіне жайлап басу арқылы тіркейді.
- Шөпжинағышты өз орнына қойыңыз (⇒ 8.3).

7.5 Стартер арқанын бекіту және босату



Бекіту

- От алдыру білтесі сымының штекерін іштен жанатын қозғалтқыштан суырып шығарыңыз.
- Қозғалтқышты тоқтату тұтқасын (1) бас тұтқаға қарай басып тұрыңыз.
- Стартер арқанын (2) баяу тартыңыз.
- Қозғалтқышты тоқтату тұтқасын (1) босатып, стартер арқанын (2) жетек арқанының бағыттаушына (3) бекітіңіз.
- От алдыру білтесі сымының штекерін салыңыз.

Босату

- От алдыру білтесі сымының штекерін іштен жанатын қозғалтқыштан суырып шығарыңыз.
- Стартер арқанын (2) жетек арқанының бағыттаушынан (3) босатыңыз.

7.6 Жанармай және мотор майы



Шапқышты бүлдіріп алмас үшін!

Алғашқы іске қосудан бұрын мотор майын құю керек. Мотор майын немесе жағармай құю кезінде қосымша көмекші керек-жарақтар қолдану керек (мысалы, шұңғыманы).

Мотор майы:

Қолданылатын мотор майы мен толтырылатын майдың көлемі туралы қосымша мәліметті



қозғалтқышты пайдалану жөніндегі нұсқаулықтан табуға болады. Майдың деңгейін үнемі тексеріп тұрыңыз (қозғалтқышты пайдалану жөніндегі нұсқаулықты қараңыз). Майды бақылау белгісінен асырып немесе одан аз құймаған жөн. Бензинді қозғалтқышты іске қосудан бұрын май багінің құлпын шегіне жеткенше дейін бұрап тастау керек.

Жанармай:

Біздің ұсынатынымыз: жаңа таңбалы жанармай, этилденбеген бензин. Жағармай сапасы жөніндегі нұсқауларды (октандық сан) қозғалтқышты пайдалану жөніндегі нұсқаулықтан қараңыз.



8. Басқару элементтері

8.1 Бір жақты жүргізу тұтқасын орнату (RM 448 PC, RM 448 TC, RM 448 VC)



Қысылу қаупі бар!

Тежегіш иінтіректі іске қосу кезінде бас тұтқаның жоғарғы бөлігін ең жоғарғы күйінде қолмен ұстап тұрыңыз. Бас тұтқа мен консольдің арасына (тежегіш иінтіректен жоғары және төмен) саусағыңызды салуға тыйым салынады.

Бас тұтқаны жинау:

Тасымалдау күйі (құрылғыны тазарту, ықшам тасымалдау және тұмшалау үшін):

- Стартер арқанын арқандық жетектен ажыратыңыз. (⇒ 7.5)
- Бас тұтқаның жоғарғы бөлігін (2) ең жоғарғы күйінде қолмен ұстап тұрыңыз және сәл көтеріңіз (жүк түсіріңіз).
- Тежеуіш иінтірегін (1) төмен басып тұрыңыз.
- Тұтқаны (2) алға қарай лақтырыңыз.

Жұмыс күйі (құрылғыны жылжыту үшін):

- Бас тұтқаны (2) артқа қарай аударыңыз және тұтқа толығымен іліскенін бақылаңыз.
- Стартер арқанын арқандық жетекке іліңіз. (⇒ 7.5)

Кесу биіктігін реттеу:

Бір жақты жүргізу тұтқасының биіктігін 2 қадам бойынша реттеуге болады:

- Бас тұтқаның жоғарғы бөлігін (2) ең жоғарғы күйінде қолмен ұстап тұрыңыз және сәл көтеріңіз (жүк түсіріңіз).
- Тежеуіш иінтірегін (1) төмен басып тұрыңыз.
- Бас тұтқаны (2) қажетті күйіне орнатыңыз.
- Тежеуіш иінтірегін (1) босатыңыз және бас тұтқа толығымен ілінісуін бақылаңыз.

8.2 Екі жақты бас тұтқаны жинау (RM 443, RM 443 T, RM 448 PT, RM 448 T, RM 448 TX)



Қысылып қалу қаупі бар!

Жылдам әрекет ететін қысқышты бұрап шығарған кезде, жетекші тұтқаның жоғарғы бөлігі қайрылып қалуы мүмкін. Осыған байланысты жылдам әрекет ететін қысқышты бұрап шығарған кезде жетекші тұтқаның (2) жоғарғы бөлігін қолмен жоғары күйде ұстап тұру керек.

Тасымалдау кезіндегі күйі

(құрылғыны тазарту, ықшам тасымалдау және тұмшалау үшін):

- Стартердің арқанын арқандық жетектен ажыратыңыз. (⇒ 7.5)
- Жылдам қысатын құрылғыны (1) ашыңыз – төмен қарай қайырыңыз – жетекші тұтқаның (2) жоғарғы бөлігін алдыға қарай қайырыңыз.

Жұмыс күйі (құрылғының қозғалысы үшін):

- Жетекші тұтқаның (2) жоғарғы бөлігін артқа қарай қайырып, қолмен ұстап тұрыңыз.
- Жылдам қысатын құрылғыны (1) (жоғары көтеріңіз) жабыңыз.
- Стартердің арқанын арқандық жетекке іліңіз. (⇒ 7.5)

8.3 Шөпжинағыш



Орнату:

- Қалдықтарды лақтыруға арналған жапқышты (1) ашып, ұстап тұрыңыз.
- Тұтқыр шығыңқы жерлері бар шөп жинағышты (2) аспаптың екінші жағындағы қысқышқа (3) салыңыз.
- Қалдықтарды шығаруға арналған жапқышты (1) жабыңыз.

Алу:

- Қалдықтарды лақтыруға арналған жапқышты (1) ашып, ұстап тұрыңыз.
- Шөпжинағышты (2) аздап көтеріп, кейін шешіңіз.
- Қалдықтарды шығаруға арналған жапқышты (1) жабыңыз.

8.4 Орталық кесік биіктігін реттеу



6 түрлі кесік биіктігін реттеуге болады.

1-деңгей = 25 мм

6-деңгей = 75 мм

Кесік биіктігін реттеу:

- Тұтқаны (1) ұстап, иінтіректі (2) жоғары қарай тартып тұрыңыз.
- Құрылғыны жоғары және төмен жылжытып, қажетті кесік биіктігін орнатыңыз. Кесік биіктігінің индикаторындағы (3) белгі (4) көмегімен нақты кесік биіктігін есептеуге болады.

- Бекіту тұтқасын (2) босатыңыз және оның ілініске кіруіне мүмкіндік беріңіз.

8.5 Толтыру деңгейінің индикаторы



Өзінің үстіңгі бөлігіндегі толтырылу индикаторымен жабдықталған (1) шөпжинағыш.

Шапқыш пышақтың айналуының арқасында түзілетін ауа ағыны және бірте-бірте толатын шөпжинағыш, толтырылу деңгейін көтереді (2): Шөпжинағыш орылған шөпке толады.

Шөпжинағыштың толтырылу шамасына қарай ауа ағыны бәсеңдеп толтыру деңгейінің индикаторы түседі (3):

- Толған шөпжинағышты босатыңыз (⇒ 11.4).

9. Сақтандырғыш құрылғылар

Қауіпсіз түрде пайдалану және мақсатынан тыс қолданудан қорғану мақсатында, құрылғы бірнеше сақтандырғыш құрылғымен жабдықталған.



Жарақат алу қаупі бар!

Егер сақтандырғыш құрылғыда ақау табылса, құрылғыны пайдалануға болмайды. Делдалға жүгініңіз, STIHL компаниясы STIHL делдалдарын ұсынады.

9.1 Қорғаныс құрылғылары

Көгалшапқыш - шапқыш пышақ пен лақтырылатын орылған шөптің арасындағы кездейсоқ байланысты

болдыртпайтын қорғаныс құрылғыларымен жабдықталған. Оларға: корпус, түсіріп тастауға арналған жапқыш, орылған шөптің шөпжинағышы және дұрыс құрастырылған тұтқа.

9.2 Қозғалтқышты тоқтату тұтқасы

Көгалшапқыш қозғалтқышты тоқтату құрылғысымен жабдықталған.

Жұмыс барысында қозғалтқышты тоқтату тұтқасын жібергеннен кейін іштен жанатын қозғалтқыш сөнеді. Іштен жанатын қозғалтқыш және пышақ 3 секунд ішінде тоқтатылған күйге ауысады.



Жарақат алу қаупі бар!

Пышақтың бос жүріс уақыты үлкенірек болса, құрылғыны бұдан былай пайдалануға болмайды және делдалға апару керек.

Бос жүріс уақытын өлшеу

Іштен жанатын қозғалтқыш іске қосылғаннан кейін пышақ айналып, ауа ағынының шуы естіледі. Бос жүріс уақыты іштен жанатын қозғалтқышты тоқтату құрылғысы тоқтатылғаннан кейін ауа ағыны шуының ұзақтығына сәйкес келеді, оны секундомермен өлшеуге болады.

10. Жұмыс нұсқаулары

Көгалдың беті мына жағдайда көрікті болады,

- ол төмен жылдамдықта шабылатын болса.

- оны жиі шабады және шөптің қайта өсуіне жол бермейді.
- құрғақ әрі ыстық климатта көгалды өте қысқа етіп шаппаса, себебі ол құрап қалып, тартымсыз болып кетеді.
- өткір шапқыш пышақпен орған кезде - сондықтан пышақты үнемі қайрап тұрған жөн (делдалдарға жүгініңіз).
- кесу бағыты үнемі өзгеріп тұрса.

10.1 Пайдаланушының жұмыс аймағы



- Жұмысты бастаған және іштен жанатын қозғалтқыш іске қосылған жағдайда қауіпсіздік түсінігіне орай, пайдаланушы әрдайым бас тұтқаның артында тұруы керек. Жұмыс істеп тұрған шапқыштан әркез қауіпсіз қашықтықта тұрыңыз.
- Көгалшапқышқа тек бір адам қызмет көрсете алады, бөгде адамдар қауіпті аймақтан тыс болуы керек. (⇒ 4.)

11. Қолданысқа енгізу

11.1 Іштен жанатын қозғалтқышты іске қосу



i Іштен жанатын қозғалтқышты биік шөпте іске қосуға болмайды. Іске қосылу әрекеті күрделі болғанда жоғарырақ кесу биіктігін орнату параметрін таңдаңыз. Іске қосылғаннан кейін іштен жанатын қозғалтқыш тұрақты газдың орнатылғанына байланысты жұмысқа арналған оңтайлы айналу жиілігімен әрқашан жұмыс істей береді.

- Қозғалтқышты тоқтату тұтқасын (1) бас тұтқаға қарай басып тұрыңыз.
- Стартер арқанын (2) қысылуға қарсылық туындамайынша ақырын тартыңыз. Созылып тұрған қолдың ұзындығындай қарқынды және шапшаң түрде тартыңыз. Стартер арқаны (2) кері қайтарылуы үшін оны ақырын қайтадан артқа қайтарыңыз.
- Осы процесті іштен жанатын қозғалтқыш іске қосылмайынша қайталай беріңіз.

11.2 Іштен жанатын қозғалтқышты сөндіру



- Іштен жанатын қозғалтқышты сөндіру үшін қозғалтқышты тоқтату тұтқасын (1) жіберіңіз. Аз уақыттан соң іштен жанатын қозғалтқыш пен шапқыш пышағы тоқтап қалады.

11.3 Қозғалғыш механизм жетегі (RM 443 T, RM 448 PC, RM 448 PT, RM 448 TX, RM 448 TC, RM 448 VC)



RM 443 T, RM 448 PC, RM 448 PT, RM 448 T, RM 448 TX, RM 448 TC және RM 448 VC көгалшапқыштары бір қозғалғыш механизм жетегімен жабдықталған.

RM 443 T, RM 448 PC, RM 448 PT, RM 448 T, RM 448 TX, RM 448 TC:

Алға қозғалу жылдамдығы (кіріс беріліс қорабы)

RM 448 VC:

Алға қозғалу жылдамдығын қозғалу барысында біркелкі реттеу (Vario беріліс қорабы)

Қозғалғыш механизм жетегін қосу:

- Іштен жанатын қозғалтқышты іске қосыңыз. (⇒ 11.1)
- Қозғалғыш механизм жетегінің тұтқасын (1) бас тұтқаға қысып, ұстап тұрыңыз. Қозғалғыш механизм жетегі іске қосылады және көгалшапқыш алға қарай қозғалады.



Құрылғының зақымдалуына жол бермеңіз!



Қозғалғыш механизм жетегінің тұтқасын зақымдамау үшін толығымен басқару керек (жүрісті шектегішке дейін).

Қозғалыс жылдамдығын орнату (RM 448 VC):



Құрылғының зақымдалуына жол бермеңіз!

Vario жетегінің тұтқасын (2) іштен жанатын қозғалтқыш жұмыс істеп тұрғанда ғана басқарыңыз.

- Қозғалыс жылдамдығын көтеру: Vario жетегінің тұтқасын (2) қозғалыс барысында алға басыңыз. 
- Қозғалыс жылдамдығын төмендету: Vario жетегінің тұтқасын (2) қозғалыс барысында артқа тартыңыз. 

Қозғалғыш механизм жетегін сөндіру:

- Қозғалғыш механизм жетегінің тұтқасын (1) жіберіңіз. Қозғалғыш механизм жетегі сөнеді де, көгалшапқыш тоқтайды. Іштен жанатын қозғалтқыш өз жұмысын жалғастыра береді.

11.4 Шөп жинағышты босату



Жарақат алу қаупі бар!

Қауіпсіздікті сақтау үшін шөп жинағышты ажырату алдында іштен жанатын қозғалтқышты әрқашан сөндіріп тұрған жөн.

- Шөп жинағышты ажыратыңыз. (⇒ 8.3)
- Шөп жинағышты бекітетін цупферде (1) ашыңыз. Шөп жинағыштың жоғарғы жағын (2) ашып ұстап тұрыңыз. Шөп жинағышты артқа қарай қайырып, кесілген материалды босатыңыз.

- Шөп жинағышты жабыңыз.
- Шөп жинағышты салыңыз. (⇒ 8.3)

12. Техникалық қызмет көрсету

12.1 Жалпы ережелер



Жарақат алу қаупі бар!

«Қауіпсіздік шаралары» (⇒ 4.) бөліміндегі қауіпсіздік техникасының нұсқауларын ұстаныңыз.

Делдалдардың тарапынан жыл сайынғы техникалық қызмет көрсету:

Көгалшапқыш жыл сайын делдалға апарылып тексерілуі тиіс. STIHL компаниясы STIHL делдалдарын ұсынады.

12.2 Іштен жанатын қозғалтқыш

Техникалық қызмет көрсету мерзімділігі:

іштен жанатын қозғалтқышты пайдалану жөніндегі нұсқаулықты қараңыз.

Жалпы нұсқаулар:

Іштен жанатын қозғалтқышты пайдалану жөніндегі кез келген нұсқаулықтан Сіз таба алатын пайдалану және қызмет көрсету жөніндегі нұсқаулықтың талаптарын сақтаңыз.

Ұзақ пайдалану мерзімі үшін майдың үнемі жеткілікті деңгейі, майдың және ауа сүзгілерінің үнемі ауыстырылуы өте маңызды болып табылады.

Майды ауыстыру аралығы, сондай ақ мотор майы және майды толтыру мөлшері жайлы ақпаратты Сіз іштен жанатын қозғалтқышты пайдалану жөніндегі нұсқаулықтан іздеп таба аласыз.

Суытқыш қабырғалар үнемі таза тұруы керек, себебі тек сонда ғана қозғалтқыштың жеткілікті түрде суытылуы қамтамасыз етіледі.

12.3 Құрылғыны тазалау

Техникалық қызмет көрсету аралығы:

Әр қолданған соң

Жақсы күту құрылғыны зақымдалудан қорғайды және оның пайдалану мерзімін ұзартады.



Жарақат алу қаупі бар!

Іштен жанатын қозғалтқышты іске қосыңыз, от алдыру білтесі сымының штекерін алып шығыңыз және құрылғының салқындағанын күте тұрыңыз. Құрылғыны тазалау позициясына орнатар алдында, жанармай бағын босатыңыз (отынды тауысыңыз). Құрылғы тек ашық лақтырманың қақпағымен тазалау күйінде тұрады.

- Кесудің ең жоғары сатысын таңдаңыз. (⇒ 8.4)
- Шөп жинағышты ажыратыңыз. (⇒ 8.3)



Тазалау күйі RM 443, RM 443 T, RM 448 PT, RM 448 T, RM 448 TX:

- Бас тұтқаның жоғарғы бөлігін (1) ұстап тұрыңыз және тез әрекетті бекіту тетігін ашыңыз – төмен түсіріңіз.
- Бас тұтқаның жоғарғы бөлігін (1) артқа қарай түсіріңіз.
- Лақтырманың қақпағын (2) ашып, ұстап тұрыңыз.
- Құрылғыны алдыңғы жағынан көтеріңіз және суретте көрсетілгендей тазарту күйіне орнатыңыз.

Тазалау күйі RM 448 PC, RM 448 TC, RM 448 VC:

- Жоғары еңкейту үшін құрылғыдан оң жақта тұрыңыз.
- Бас тұтқаның жоғарғы бөлігін ең терең күйге орнатыңыз (тірелгенше, бекіту тұтқасы бұл күйде бекітілмейді). (⇒ 8.2)
- Лақтырманың қақпағын (2) оң қолыңызбен ашып, ұстап тұрыңыз.
- Сол қолыңызбен суретте көрсетілгендей консольді ұстап алып, лақтырманың қақпағын тоқтатыңыз. Дәл сол уақытта бас бармағыңызбен тежеуіш интіректі (3) басып тұрыңыз.
- Құрылғыны оң қолыңызбен алдыңғы тіреуіш тұтқадан ұстап алып, бас тұтқа суретте көрсетілгендей топыраққа жайылмағанша баяу артқа қарай еңкейтіңіз.
- Лақтырманың қақпағын (2) және тіреуіш интірегін (3) босатып, құрылғының берік тұрғанын тексеріңіз.

Тазалау жөніндегі нұсқаулар:

- Кірді судың аз мөлшерімен, қылшақпен немесе шүберекпен кетіріңіз. Өсіресе шапқыш пышақты тазалаңыз. Ешқашан суды іштен жанатын қозғалтқыштың бөліктеріне, тығыздатқыштар мен мойынтіректі орнатқан жерлерге бағыттамаңыз.
- Шөптің қалдығын алдымен ағаш таяқпен кетіріңіз.
- Қажет болса, арнайы тазартқышты қолданыңыз (мысалы, STIHL арнайы тазартқышы).

12.4 Пышақ тозуын тексеру

Техникалық қызмет көрсету аралығы:
Әр қолдану алдында



Жарақат алу қаупі бар!

Пышақты пайдалану орнына және уақытына байланысты ауыстыру керек. Егер құрылғыны құмды бетте және көбінесе құрғақ жағдайларда пайдалансаңыз, пышақ барған сайын нашар жұмыс істейді және әдеттегіден тезірек тозады. Жұқарып кеткен пышақ бөлініп кетіп, ауыр жарақаттар тигізуі мүмкін. Сондықтан пышақты пайдалану жөніндегі нұсқауларды әркез ұстанған жөн.

- Көгәлшапқышты тазартуға арналған күйге келтіріңіз. (⇒ 12.3)
- Шапқыш пышағын (1) тазалаңыз.
- Сызғышты (1) пышақтың алдыңғы жиегіне қойып, кері қайрау деңгейін **A** өлшеңіз.

- Пышақ енін **B** жылжымалы калибрмен (2) өлшеңіз.
- Пышақ қалыңдығын **C** кем дегенде 5 жерде жылжымалы калибрмен (2) тексеріңіз. Атап айтқанда, минималды күші пышақ қалағының аймағында болуы керек.

Тозудың шектері:

Кері қайрау деңгейі **A**: < 15 мм

Пышақ ені **B**: > 39 мм

Пышақ қалыңдығы **C**: > 2 мм

Пышақты келесі жағдайларда ауыстыру қажет:

- зақымдалған кезде (жарықтар, сызаттар),
- өлшем деректеріне бір не бірнеше жерде жеткен кезде немесе рұқсатты деңгейден асқан жағдайда.

Егер көгалшапқышқа керек-жарақ ретінде қолжетімді көп функциялы пышақ орнатылған болса, басқа тозудың шектері есепке алынады (керек-жарақтарды пайдалану жөніндегі нұсқаулықты қараңыз).

12.5 Шапқыш пышақтарын алу және орнату



Бөлшектеу:

- Сәйкес келетін ағаш қырлы бөрене (1) шапқыш пышағын (2) бекіту үшін қолданылады.
- Пышақ бұрандаларын (3) бұрап шығарыңыз. Шабу пышағын (2), пышақ болтын (3) және сақтандырғыш дискіні (4) шешіңіз.

Орнату:



Жарақат алу қаупі бар!

Шабу пышағын (2) тек суретке сәйкес орнату керек. Қаптамалар (7) төмен көрсетіп тұру керек, ал жоғары қарай бүгілген пышақ қалақтары жоғары қарап тұруы керек.

Пышақ бұрандамасының көрсетілген созылу мезетін дәл сақтаңыз, себебі кескіш құралдың бекіту сенімділігі осыған байланысты болады. Пышақ бұрандамаларын (3) **Loctite 243** көмегімен бекітіңіз.

Қысатын дискті (4) пышақты әр орнатқан сайын, ал пышақ бұрандамасын (3) пышақты әр ауыстырған сайын ауыстырыңыз.

- Пышаққа тиіп тұратын бетті және пышақтың жалғастырғышын тазалаңыз.
- Шабу пышағын (2) жоғары бүгілген қалақтар жоғары (құрылғыға бағытталап) қарап тұратындай етіп орнатылады. Пышақ жалғастырғышындағы тұтқыр шығыңқы жерлер (5) шабу пышағының тесіктеріне (6) салынуы тиіс.
- Сәйкес келетін ағаш қырлы бөрене (1) шапқыш пышағын (2) бекіту үшін қолданылады.
- Пышақ бұрандамасын (3) жаңа қысқыш шайбамен (4) бұрап бекітіңіз. Созылу мезеті: **60 - 65 Нм**

12.6 Шапқыш пышағын қайрау

STIHL шапқыш пышақтарын қайрауды техник мамандарға тапсыруды ұсынады. Пышақтар дұрыс қайралмаған кезде (қайрау бұрышы дұрыс емес, теңсіздік және т.б.) құрылғының жұмысы нашарлайды.

Қайрау бойынша нұсқаулық:

- Шапқыш пышағын бөлшектеңіз (⇒ 12.5).
- Шапқыш пышағын қайраған кезде, мысалы, сумен салқындату қажет. Көк түс пайда болмауы керек, әйтпесе жарамдылық мерзімі қысқара түседі.
- Теңгерімсіздік тудырған дірілдерді болдырмау үшін пышақты біркелкі қайраңыз.
- Қайрау бұрышын 30° етіп сақтаңыз.
- Қайрағаннан кейін кескіш жиегіндегі үгінділерді ұсақ бүдірлі ысқыш қағазбен тазартыңыз.
- Тозудың шектерін сақтаңыз. (⇒ 12.4)

12.7 Сақтау және қолданыстан шығару (қысқы қаңтарылу кезеңінде)

Көгалшапқышты құрғақ, жабық әрі шаңсыз жерде сақтаңыз. Үй-жай балалардан алшақ екеніне көз жеткізіңіз.

Ықтимал ақауларды қоймаға орналасқанға дейін жою қажет. Құрылғы техникалық жарамды және қауіпсіз күйде болуға тиіс.

Тұмшалау алдында жанармай багі мен карбюраторды босату қажет (мысалы, босату үшін жүргізу арқылы).

Ұзақ мерзімге қолданыстан шығарған кезде (қысқы айлар) келесі сәтке назар аудару қажет:

- Құрылғының барлық сыртқы бөлшектерін дұрыстап тазалап шығыңыз.
- Барлық қозғалмалы бөлшектерді жақсылап майлаңыз.
- Оталдыру білтені бұрап алып шығыңыз (қозғалтқышты қолдану жөніндегі нұсқаулықты қараңыз) және оталдыру білтесіне арналған саңылау арқылы қозғалтқышқа шамамен мотор майының 3 см³ құйыңыз. Қозғалтқышты оталдыру білтесінсіз-ақ бірнеше рет айналдырып көріңіз (стартердің арқанын тартып).



Өрттің туындау қаупі бар!

Тұтандыру білтесінің түйіспелі ұштығын ұяшықтан алшақ ұстаңыз, себебі оның жану қаупі бар.

- Оталдыру білтесін қайтадан орнына бұрып қойыңыз (қозғалтқышты пайдалану жөніндегі нұсқаулықты қараңыз).
- Майды ауыстырыңыз (қозғалтқышты пайдалану жөніндегі нұсқаулықты қараңыз).
- Іштен жанатын қозғалтқышты жауып, қалыпты күйінде сақтаңыз.

13. Тасымалдау

13.1 Тасымалдау



Жарақат алу қаупі бар!

Тасымалдау алдында «Қауіпсіздік шаралары» бөлімін оқып алыңыз. (⇒ 4.)

Тасымалдау барысында тиісті қорғаныс киімін (қорғаныш аяқ киім, тығыз жұмыс қолғабы) киіңіз.

Тасымалдау кезінде от алдыру білтесі сымының штекерін міндетті түрде тартып шығару керек. Қауіпсіздік түсінігіне байланысты, STIHL компаниясы құрылғыны тек екі адамның көмегімен тасуды ұсынады. Көтеруден бұрын құрылғының салмағын «Техникалық деректер» тарауынан тексеріңіз.

Құрылғыны тасымалдау

- Екі адам:
Құрылғыны тек алдыңғы тұтқасынан (1) және жетекші тұтқасынан (3) ұстап көтеру керек. Шапқыш пышақтарының және дененің арасындағы, әсіресе, аяқтар мен табан арасындағы қашықтықты қатаң қадағалаңыз.
- Бір адам:
Құрылғыны тасымалдауға арналған артқы тұтқаның (2) ортасынан бір қолмен ұстап, ал екінші қолмен алдыңғы тұтқадан (1) ұстап көтеріңіз және тасыңыз.

Құрылғыны бекіту

- Құрылғыны сәйкес келетін бекіту материалының көмегімен жүк тұғырына бекітіңіз.
- Арқандар мен қайыстарды белгіленген нүктелерге (4) бекітіңіз.

14. Қоршаған ортаны қорғау



Шабылған шөпті қоқыс ретінде лақтыруға болмайды, оны компостирлеу керек.

Қаптамасы, құралдың өзі және керек-жарақтар, кәдеге жаратылатын материалдардан өндіріліп, тиісті тұрпатта кәдеге жаратылуы қажет.

Материалдың қалдықтарын бөлшектеп, экологиялық рұқсат етілген түрде пайдаға асырғанның арқасында, осы үшін жарамды қалдықтарды көп рет қолдануға мүмкін болады. Осы себеппен, әдеттегі қызмет ету мерзімі өткеннен кейін, құрал, өңделгеннен кейін қайтара қолданыла алатын қалдықтардың жиналатын орнына жіберіледі. Пайдаға асырған кезде «Пайдаға асыру» бөлімінің нұсқауларын ұстаныңыз. (⇒ 4.9)

Өзіңіздің пайдаға асыратын орталыққа немесе қалдықтарды қалайша кәсіби түрде пайдаға асыруға болатындығын білу үшін делдалдарға жүгініңіз.

15. Тозу дәрежесін барынша азайту және зақымдардан қорғау

Техникалық қызмет көрсету туралы маңызды ақпарат

Бензинді көгалшапқыш (STIHL RM)

Пайдалану жөніндегі нұсқаулықтың талаптарын сақтамау нәтижесінде, әсіресе қолдану мен қызмет көрсету қауіпсіздігіне немесе рұқсат етілмеген құрамдас бөліктерді немесе қосалқы бөлшектерді қолдану нәтижесінде пайда болған кез келген материалдық залал немесе жарақаттану үшін STIHL компаниясы жауапкершілік тартпайды.

STIHL құрылғысының зақымдарын немесе шамадан тыс тозуын болдырмау үшін міндетті түрде мына маңызды нұсқауларды орындаңыз:

1. Тозатын бөлшектер

STIHL құрылғысының кейбір бөлшектері мақсатына сай пайдаланылған кезде де қалыпты тозуға тап болады және оларды пайдалану түрі мен ұзақтығына қарай уақыт өте келе ауыстыру керек.

Оларға мыналар жатады:

- Шапқыш пышағы
- Шөп жинағыш
- Сына тәрізді белдік (RM 443 T, RM 448 PC, RM 448 PT, RM 448 T, RM 448 TC, RM 448 TX, RM 448 VC)

2. Осы пайдалану жөніндегі нұсқаулықтың талаптарын орындау

STIHL құрылғысын пайдалану, сақтау және оған техникалық қызмет көрсету жұмыстарын осы пайдалану жөніндегі нұсқаулықтың талаптарына сай мұқият өткізу керек. Қауіпсіздік, пайдалану

және техникалық қызмет көрсету нұсқауларын сақтамаудан пайда болған бүкіл шығындар үшін пайдаланушының өзі ғана жауапты болады.

Атап айтқанда, бұл мыналарға қатысты:

- өнімге STIHL компаниясы рұқсат етпеген өзгерістер енгізу.
- STIHL компаниясы тарапынан рұқсат етілмеген өндірістік материалдарды қолдану (майлау материалдары, бензин және мотор майы, іштен жанатын қозғалтқыш өндірушісінің мәліметтерін қараңыз).
- сапасы төмен, қабылдарлық емес, құрылғыға арналмаған құралдарды және керек-жарақтарды пайдалану.
- өнімнің мақсатына сай қолданылмауы.
- өнімді спорттық немесе конкурстық іс-шараларда қолдану.
- бөлшектері ақаулы өнімді пайдаланудан болатын зақымдар.

3. Техникалық қызмет көрсету жөніндегі жұмыстар

«Техникалық қызмет көрсету» бөлімінде көрсетілген барлық жұмыстар тұрақты түрде жүзеге асырылуы тиіс.

Техникалық қызмет көрсету жөніндегі осы жұмыстарды пайдаланушы өз бетімен өткізе алмаған жағдайда делдалға хабарласу керек.

STIHL компаниясы техникалық қызмет көрсету жөніндегі жұмыстарды және жөндеуді орындау үшін тек қана STIHL делдалдарына жүгінуді ұсынады.

STIHL делдалдары тұрақты түрде оқытуды ұсынады және техникалық ақпаратты қамтамасыз етеді.

Осы жұмыстар өткізілмеген жағдайда пайдаланушыны жауапкершілікке тартатын зақымдар пайда болуы мүмкін.

Оларға мыналар жатады:

- тоттануға және дұрыс сақтамауға байланысты басқа да зақымдары.
- сапасыз қосалқы бөлшектерді қолдануға байланысты сынған жерлері.
- уақытында өткізілмеген немесе жеткіліксіз түрде өткізілген техникалық қызметтен туындаған не болмаса біліксіз тұлғалар тарапынан өткізілетін сервистік және жөндеу жұмыстарының кезінде пайда болған зақымдар.

16. Басқа да қосалқы бөлшектер

Шапқыш пышағы RM 443, RM 443 T:

6338 702 0100

Шапқыш пышағы RM 448 PC, RM 448 PT, RM 448 T, RM 448 TC, RM 448 TX, RM 448 VC:

6358 702 0100

Пышақ бұрандамасы:

9008 319 9028

Қорғауыш шайба:

0000 702 6600



Шапқыш пышағының бекіткіш элементтері (мысалы, пышақ бұрандамасы) пышақты ауыстырған немесе орнатқан кезде ауыстырылуы тиіс. Қосалқы бөлшектерді STIHL делдалдарынан сатып алуға болады.

17. ЕО талаптарына сәйкестік туралы декларация

17.1 Бензинді көгалшапқыш (STIHL RM)

STIHL Tirol GmbH
Hans Peter Stihl-Straße 5
6336 Langkampfen
Австрия

төмендегіні толық жауапкершілікпен жариялайды:

Іштен жанатын қозғалтқышы бар қолмен басқарылатын көгалшапқыш (STIHL RM)

Фабрика таңбасы:	STIHL
Сериялық нөмір:	6338
Түрі:	RM 443.0 RM 443.0 T
Сериялық нөмір:	6358
Түрі:	RM 448.0 PC RM 448.0 PT RM 448.0 T RM 448.0 TC RM 448.0 TX RM 448.0 VC

келесі ЕО директиваларына сәйкес келеді:
2011/65/EU, 2000/14/EC, 2014/30/EU, 2006/42/EC

Өнім келесі нормативтерге сай өндірілген:
EN ISO 5395-1, EN ISO 5395-2, EN 14982

Бұйымды өзірлеу және жасап шығару үшін өндірілген күннен бастап жарамды болатын нормалардың нұсқалары қолданылады.

Қолданылатын сәйкестікті бағалау әдісі: Қосымша VIII (2000/14/EC)

Сертификатталған органның атауы мен мекенжайы:

TÜV Rheinland LGA Products GmbH
Tillystraße 2
D-90431 Nürnberg

Техникалық құжаттаманы жасау және сақтау:
Sven Zimmermann
STIHL Tirol GmbH

Құрастырылған жылы және машина нөмірі құрылғының төлқұжатында жазылған.

Өлшенген дыбыстық қуат деңгейі:

RM 443.0	93,0 dB(A)
RM 443.0 T	93,0 dB(A)
RM 448.0 PC	95,3 dB(A)
RM 448.0 PT	95,3 dB(A)
RM 448.0 T	95,7 dB(A)
RM 448.0 TC	95,7 dB(A)
RM 448.0 TX	95,3 dB(A)
RM 448.0 VC	95,3 dB(A)

Кепілді дыбыстық қуат деңгейі:

RM 443.0	94 dB(A)
RM 443.0 T	94 dB(A)
RM 448.0 PC	96 dB(A)
RM 448.0 PT	96 dB(A)
RM 448.0 T	96 dB(A)
RM 448.0 TC	96 dB(A)
RM 448.0 TX	96 dB(A)
RM 448.0 VC	96 dB(A)

Лангампфен,
2019-01-02 (ЖЖЖЖ-АА-КК)

STIHL Tirol GmbH

м.а.



Sven Zimmermann

Дизайн бөлімінің басқарушысы

17.2 Сәйкестік белгісі



Кеден одағының техникалық нормалары мен талаптарының сақталуын растайтын EAC

сертификаттары және сәйкестік туралы өтініштер жөніндегі ақпарат, төменде келтірілген, www.stihl.ru/eac сондай-ақ STIHL компаниясының кез келген елдегі өкілдігінде қол жетімді.



Украинаның техникалық нормативтері мен талаптары орындалды.

17.3 Белгіленген қолданыс кезеңі

Толық белгіленген қызмет ету мерзімі 30 жылға дейінгі мерзімді құрайды.

Белгіленген қолданыс кезеңі уақытында, қолдану жөніндегі нұсқаулықтың талаптарына сәйкес тұрақты техникалық қызмет және күтім көрсетіледі.

17.4 STIHL штаб-пәтері

ANDREAS STIHL AG & Co. KG
Badstrasse 115
71336 Вайблинген
Германия

17.5 STIHL еншілес кәсіпорындары

РЕСЕЙ ФЕДЕРАЦИЯСЫ

«АНДРЕАС ШТИЛЬ МАРКЕТИНГ» ЖШҚ
Тамбовская-сі, 12 үй, В лит., 52-кеңсе
192007, Санкт-Петербург қ-сы, Ресей
Шұғыл желі: +7 800 4444 180
Эл. пошта: info@stihl.ru

УКРАИНА

«Андреас Штіль» ЖШҚ
Антонов к-сі, 10 үй, Чайки ауылы
08135, Киев обл., Украина
Телефон: +38 044 393-35-30
Факс: +380 044 393-35-70
Эл. пошта: info@stihl.ua
www.stihl.ua
Шұғыл желі: +38 0800 501 930

17.6 STIHL өкілдіктері

БЕЛАРУСЬ

Өкілдік
ANDREAS STIHL AG & Co. KG
К. Цеткин к-сі, 51-11а
220004, Минск қ-сы, Беларусь
Шұғыл желі: +375 17 200 23 76

ҚАЗАҚСТАН

Өкілдік
ANDREAS STIHL AG & Co. KG
Шагабутдинов к-сі, 125А үй, 2-кеңсе
050026, Алматы қ-сы, Қазақстан
Шұғыл желі: +7 727 225 55 17

17.7 STIHL импорттаушылары

РЕСЕЙ ФЕДЕРАЦИЯСЫ

«ШТИЛЬ ЗЮДВЕСТ» ЖШҚ
«Солнечная» АФ№2 аумақтық бөлімі,
7/2 үй
350000, Краснодар қ-сы, Ресей

«ЭТАЛОН» ЖШҚ

В.А. 5-ші желісі, 32 үй, Б лит.
199004, Санкт-Петербург қ-сы, Ресей

«ПРОГРЕСС» ЖШҚ

Маленковская к-сі, 32 үй, 2 ғим.
107113, Мәскеу қ-сы, Ресей

«АРНАУ» ЖШҚ

Космонавт Леонов к-сі, 64 А үй, V ауылы
236023, Калининград қ-сы, Ресей

«ИНКОР» ЖШҚ

Павел Корчагин к-сі, 1Б үй
610030, Киров қ-сы, Ресей

«УРАЛТЕХНО» ЖШҚ

Карьерная к-сі, 2 үй, 202-кеңсе
620030, Екатеринбург қ-сы, Ресей

«ТЕХНОТОРГ» ЖШҚ

Парашютная к-сі, 15 үй
660121, Красноярск қ-сы, Ресей

«ЛЕСОТЕХНИКА» ЖШҚ

Чапаев к-сі, 1 үй, 39-кеңсе
664540, Хомутово ауылы, Ресей

УКРАИНА

«Андреас Штіль» ЖШҚ
Антонов к-сі, 10 үй, Чайки ауылы
08135, Киев обл., Украина

БЕЛАРУСЬ

«ПИЛАКОС» ЖШҚ
Тимирязев к-сі, 121/4 үй, 6-кеңсе
220020, Минск қ-сы, Беларусь

«Беллесэкспорт» біртұтас кәсіпорыны
Скрыганов к-сі, 6 үй, 403-кеңсе
220073, Минск қ-сы, Беларусь

ҚАЗАҚСТАН

«ВОРОНИНА Д.И.» ЖК
Райымбек даңғ., 312 үй
050005, Алматы қ-сы, Қазақстан

ҚЫРҒЫЗСТАН

«Муза» ЖШҚ
Киевская к-сі, 107 үй
720001, Бишкек қ-сы, Қырғызстан

АРМЕНИЯ

«ЮНИТУЛЗ» ЖШҚ
Г. Парпеци к-сі, 22 үй
0002, Ереван қ-сы, Армения

18. Техникалық деректер

**RM 443.0, RM 443.0 T, RM 448.0 PC,
RM 448.0 PT, RM 448.0 T, RM 448.0 TC,
RM 448.0 TX, RM 448.0 VC:**

Іштен жанатын қозғалтқыш, құрылымы	4-айналымды іштен жанатын қозғалтқыш
Іске қосу құрылғысы	Сымды іске қосу
Кескіш	Пышақ маңдайшасы

Пышақ маңдайшасының жетегі	Үздіксіз
Пышақ бұрандамасының созылу мезеті	60 - 65 Нм
Сақтандырғыш құрылғы	Қозғалтқыштың тоқтауы
Алдыңғы дөңгелек диаметрі	180 мм
Артқы дөңгелек диаметрі	200 мм
Шөп жинағыштың көлемі	55 л
Кесік биіктігі	25 - 75 мм

RM 443.0, RM 443.0 T:

Сериялық идентификация	6338
Кесік ені:	41 см

RM 443.0:

Іштен жанатын қозғалтқыш:	Briggs & Stratton, Series 550 EX OHV RS
Өндіруші, түрі	140 текше см
Жұмыс көлемі	2,1 - 2800 кВт - айн/мин
Айналымның кесімді санындағы кесімді қуат	0,8 л
Жанармай бағы	

Пышақ маңдайшаларының айналу жиілігі	2800 айн/мин
Дөңгелек жетегі	жоқ
Ұзындығы	144 см
Ені	49 см
Биіктігі	109 см
Салмағы	23 кг

Шуыл шығарылуы

2000/14/ЕС директивасына сәйкес:

Кепілді Дыбыстық қуат деңгейі L_{WAd} 94 dB(A)
2006/42/ЕС директивасына сәйкес:

Жұмыс орнындағы Дыбыстық қысым деңгейі L_{pA} 81 dB(A)
Ауытқу K_{pA} 2 dB(A)

Қол дірілі

EN 12096 бойынша белгіленген діріл коэффициенті:

Өлшенген мән a_{hw}	4,10 м/сек ²
Ықтимал дәлсіздік K_{hw}	2,05 м/сек ²

EN 20643 бойынша өлшем

RM 443.0 T:

Іштен жанатын қозғалтқыш:	Briggs & Stratton, Series 550 EX OHV RS
Өндіруші, түрі	140 текше см
Жұмыс көлемі	

Айналымның кесімді санындағы кесімді қуат	2,1 - 2800 кВт - айн/мин
Жанармай бағы	0,8 л

Пышақ маңдайшаларының айналу жиілігі	2800 айн/мин
Дөңгелек жетегі	1 сатылы алдыңғы, бірқалыпты іске қосумен

Ұзындығы	144 см
Ені	48 см
Биіктігі	109 см
Салмағы	25 кг

Шуыл шығарылуы

2000/14/ЕС директивасына сәйкес:

Кепілді Дыбыстық қуат деңгейі L_{WAd} 94 dB(A)
2006/42/ЕС директивасына сәйкес:

Жұмыс орнындағы Дыбыстық қысым деңгейі L_{pA}	81 dB(A)
Ауытқу K_{pA}	2 dB(A)
Қол дірілі	
EN 12096 бойынша белгіленген діріл коэффициенті:	
Өлшенген мән a_{hw}	4,10 м/сек ²
Ықтимал дәлсіздік K_{hw}	2,05 м/сек ²
EN 20643 бойынша өлшем	
RM 448.0 PC, RM 448.0 PT, RM 448.0 T, RM 448.0 TC, RM 448.0 TX, RM 448.0 VC:	
Сериялық идентификация	6358
Кесу ені	46 см
RM 448.0 PC:	
Іштен жанатын қозғалтқыш:	Briggs & Stratton, Series 625
Өндіруші, түрі	625
Жұмыс көлемі	150 текше см
Айналымның кесімді санындағы	2,2 - 2800
кесімді қуат	кВт - айн/мин
Жанармай бағы	0,8 л
Пышақ маңдайшаларының айналу жиілігі	2800 айн/мин
Дөңгелек жетегі	1 сатылы алдыңғы, бірқалыпты іске қосумен
Ұзындығы	147 см
Ені	50 см
Биіктігі	113 см
Салмағы	27 кг
Шуыл шығарылуы	

2000/14/ЕС директивасына сәйкес:	
Кепілді Дыбыстық қуат деңгейі $L_{WAд}$	96 dB(A)
2006/42/ЕС директивасына сәйкес:	
Жұмыс орнындағы Дыбыстық қысым деңгейі L_{pA}	83 dB(A)
Ауытқу K_{pA}	2 dB(A)
Қол дірілі	
EN 12096 бойынша белгіленген діріл коэффициенті:	
Өлшенген мән a_{hw}	3,00 м/сек ²
Ықтимал дәлсіздік K_{hw}	1,50 м/сек ²
EN 20643 бойынша өлшем	
RM 448.0 PT:	
Іштен жанатын қозғалтқыш:	Briggs & Stratton, Series 625
Өндіруші, түрі	625
Жұмыс көлемі	150 текше см
Айналымның кесімді санындағы	2,2 - 2800
кесімді қуат	кВт - айн/мин
Жанармай бағы	0,8 л
Пышақ маңдайшаларының айналу жиілігі	2800 айн/мин
Дөңгелек жетегі	1 сатылы алдыңғы, бірқалыпты іске қосумен
Ұзындығы	147 см
Ені	50 см
Биіктігі	111 см
Салмағы	27 кг
Шуыл шығарылуы	
2000/14/ЕС директивасына сәйкес:	
Кепілді Дыбыстық қуат деңгейі $L_{WAд}$	96 dB(A)

2006/42/ЕС директивасына сәйкес:	
Жұмыс орнындағы Дыбыстық қысым деңгейі L_{pA}	83 dB(A)
Ауытқу K_{pA}	2 dB(A)
Қол дірілі	
EN 12096 бойынша белгіленген діріл коэффициенті:	
Өлшенген мән a_{hw}	3,90 м/сек ²
Ықтимал дәлсіздік K_{hw}	1,95 м/сек ²
EN 20643 бойынша өлшем	
RM 448.0 T:	
Іштен жанатын қозғалтқыш:	Briggs & Stratton, Series 575
Өндіруші, түрі	575
Жұмыс көлемі	140 текше см
Айналымның кесімді санындағы	2,1 - 2800
кесімді қуат	кВт - айн/мин
Жанармай бағы	0,8 л
Пышақ маңдайшаларының айналу жиілігі	2800 айн/мин
Дөңгелек жетегі	1 сатылы алдыңғы, бірқалыпты іске қосумен
Ұзындығы	147 см
Ені	50 см
Биіктігі	111 см
Салмағы	26 кг
Шуыл шығарылуы	
2000/14/ЕС директивасына сәйкес:	
Кепілді Дыбыстық қуат деңгейі $L_{WAд}$	96 dB(A)
2006/42/ЕС директивасына сәйкес:	

Жұмыс орнындағы
Дыбыстық қысым
деңгейі L_{pA} 83 dB(A)
Ауытқу K_{pA} 2 dB(A)

Қол дірілі

EN 12096 бойынша белгіленген діріл
коэффициенті:
Өлшенген мән a_{hw} 3,90 м/сек²
Ықтимал дәлсіздік
 K_{hw} 1,95 м/сек²
EN 20643 бойынша өлшем

RM 448.0 TC:

Іштен жанатын Briggs &
қозғалтқыш: Stratton, Series
Өндіруші, түрі 575
Жұмыс көлемі 140 текше см
Айналымның кесімді санындағы 2,1 - 2800
кесімді қуат кВт - айн/мин
Жанармай бағы 0,8 л
Пышақ маңдайшаларының
айналу жиілігі 2800 айн/мин
Дөңгелек жетегі 1 сатылы
алдыңғы,
бірқалыпты іске
қосумен
Ұзындығы 147 см
Ені 50 см
Биіктігі 113 см
Салмағы 27 кг

Шуыл шығарылуы

2000/14/ЕС директивасына сәйкес:
Кепілді Дыбыстық
қуат деңгейі $L_{WAд}$ 96 dB(A)
2006/42/ЕС директивасына сәйкес:
Жұмыс орнындағы
Дыбыстық қысым
деңгейі L_{pA} 83 dB(A)

Ауытқу K_{pA} 2 dB(A)
Қол дірілі
EN 12096 бойынша белгіленген діріл
коэффициенті:
Өлшенген мән a_{hw} 3,50 м/сек²
Ықтимал дәлсіздік
 K_{hw} 1,75 м/сек²
EN 20643 бойынша өлшем

RM 448.0 TX:

Іштен жанатын Briggs &
қозғалтқыш: Stratton, Series
Өндіруші, түрі 550 EX OHV RS
Жұмыс көлемі 140 текше см
Айналымның кесімді санындағы 2,1 - 2800
кесімді қуат кВт - айн/мин
Жанармай бағы 0,8 л
Пышақ маңдайшаларының
айналу жиілігі 2800 айн/мин
Дөңгелек жетегі 1 сатылы
алдыңғы,
бірқалыпты іске
қосумен
Ұзындығы 147 см
Ені 50 см
Биіктігі 111 см
Салмағы 26 кг

Шуыл шығарылуы

2000/14/ЕС директивасына сәйкес:
Кепілді Дыбыстық
қуат деңгейі $L_{WAд}$ 96 dB(A)
2006/42/ЕС директивасына сәйкес:
Жұмыс орнындағы
Дыбыстық қысым
деңгейі L_{pA} 83 dB(A)
Ауытқу K_{pA} 2 dB(A)
Қол дірілі

EN 12096 бойынша белгіленген діріл
коэффициенті:
Өлшенген мән a_{hw} 4,10 м/сек²
Ықтимал дәлсіздік
 K_{hw} 2,05 м/сек²
EN 20643 бойынша өлшем

RM 448.0 VC:

Іштен жанатын Briggs &
қозғалтқыш: Stratton, Series
Өндіруші, түрі 625
Жұмыс көлемі 150 текше см
Айналымның кесімді санындағы 2,2 - 2800
кесімді қуат кВт - айн/мин
Жанармай бағы 0,8 л
Пышақ маңдайшаларының
айналу жиілігі 2800 айн/мин
Дөңгелек жетегі Vario, алға
Ұзындығы 147 см
Ені 50 см
Биіктігі 113 см
Салмағы 28 кг

Шуыл шығарылуы

2000/14/ЕС директивасына сәйкес:
Кепілді Дыбыстық
қуат деңгейі $L_{WAд}$ 96 dB(A)
2006/42/ЕС директивасына сәйкес:
Жұмыс орнындағы
Дыбыстық қысым
деңгейі L_{pA} 83 dB(A)
Ауытқу K_{pA} 2 dB(A)

Қол дірілі

EN 12096 бойынша белгіленген діріл
коэффициенті:
Өлшенген мән a_{hw} 3,00 м/сек²
Ықтимал дәлсіздік
 K_{hw} 1,50 м/сек²

18.1 REACH

REACH химиялық заттарды тіркеу, бағалау және өкілдендіру туралы EC реттеуін білдіреді.

1907/2006 нөмірлі REACH Регламентін (EC) орындау туралы ақпарат www.stihl.com/reach сайтында берілген.

19. Ақаулықтарды іздеу

✳ Қажет болған кезде делдалға жүгініңіз, STIHL компаниясы STIHL делдалдарына жүгінуге кеңес береді.

📖 Іштен жанатын қозғалтқышты пайдалану жөніндегі нұсқаулықты қараңыз.

Ақаулық:

Іштен жанатын қозғалтқыш тұтанбайды

Ықтимал себебі:

- Қозғалтқышты тоқтату тұтқасы іске қосылмаған.
- Бақта жанармай жоқ; жанармай құбырлары бітеліп қалған.
- Бақтағы жанармай нашар, лас немесе ескі.
- Ауа сүзгісі ластанған.
- От алдыру білтесі сымының штекері от алдыру білтесінен суырылған; от алдыру шоғырсымы штекермен нашар байланысқан.

- От алдыру білтесі тоттанған немесе бұзылған; электродтардың арасындағы саңылау дұрыс орнатылмаған.

Ақаулықты жою әдісі:

- Қозғалтқышты тоқтату тұтқасын бас тұтқаға қарай басып тұрыңыз. (⇒ 9.2)
- Жанармайды тағы құйыңыз; жанармай құбырын тазартыңыз. ✳
- Тек таза әрі таңбалы жанармайды, этилденбеген бензинді қолданыңыз; карбюраторды тазартыңыз. ✳
- Ауа сүзгісін тазалаңыз. ✳
- От алдыру білтесі сымының штекерін салыңыз; от алдыру шоғырсымы және штекердің арасындағы байланысты тексеріңіз. ✳
- От алдыру білтесін тазалаңыз немесе ауыстырыңыз; электродтардың арасындағы саңылауды дұрыс орнатыңыз. ✳

Ақаулықтар:

Жұмыс басталуы қиындаған немесе мотордың қызметі баяулаған.

Оған себеп болуы мүмкін жағдайлар:

- Көгалды қырыққыш бітеліп қалған.
- Көгалды тым баяу деңгейде қырқу немесе берілу жылдамдығы қырқу деңгейімен салыстырғанда тым жоғары.
- Жанармай бағы мен карбюраторда су бар; карбюратор бітеліп қалған.
- Жанармай бағы толып ластанған.
- Ауа сүзгісі толып ластанған.
- Оталдырғыш білтені күйе басып кеткен.

Ақауды жою жолдары:

- Көгалды қырыққышты тазалау (оталдырғыш құралды шығарып алу!) (⇒ 12.3)

- Қырқу деңгейін жоғарыға қою немесе қозғалту жылдамдығын азайту. (⇒ 8.4)
- Жанармай бағын босату, жанармай жолы мен карбюраторды тазалау. ✳
- Жанармай бағын тазалау. ✳
- Ауа сүзгісін тазалау. ✳
- Оталдырғыш білтені тазалау. ✳

Ақаулықтар:

Қозғалтқыш өте қатты қызады.

Ықтимал себебі:

- Қозғалтқыштағы майдың деңгейі өте төмен.
- Суытқыш қабырғалар ластанған.

Ақаулықтарды жою тәсілі:

- Мотор майын ауыстыру қажет. (⇒ 7.6)
- Суытқыш қабырғаларды тазалау керек. (⇒ 12.3)

Ақаулықтар:

Жұмыс кезіндегі қатты діріл.

Ықтимал себебі:

- Шапқыш бөлігі бүлінген.
- Қозғалтқыштың бекіткіші босап кеткен.

Ақаулықтарды жою тәсілі:

- Шапқыш пышақ, білік және бекіткішті (пышақ бұрандамасы және сақтандырғыш диск) тексеріңіз және қажет болса оларды ауыстырыңыз. ✳
- Қозғалтқыштың бекіткіш бұрандаларын тартыңыз. ✳

Ақаулық:

Дұрыс кеспеу, шөп сарғаяды

Ықтимал себебі:

– Жүзі қайтқан немесе тозған

Ақаулықты жою әдісі:

– Қайрау немесе жүзін ауыстыру
(⇒ 12.6), (⇒ 12.5), ✖

20. Техникалық қызмет көрсету жоспары

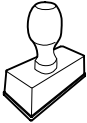
20.1 Берілісті растау

Үлгі: _____

Серия нөмірі:

□	□	□	□	□	□	□	□	□
---	---	---	---	---	---	---	---	---

Күні: □ □ □ □ □ □ □ □ □ □



Келесі қызмет

Күні: □ □ □ □ □ □ □ □ □ □



Қызмет көрсету өткізілген күні



Келесі қызмет көрсету күні

20.2 Қызмет көрсетуді растау

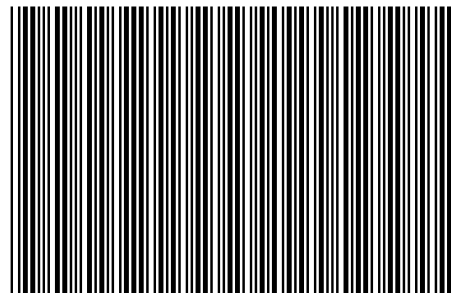


Қызмет көрсету жұмыстарын өткізген кезде, пайдалану жөніндегі осы нұсқаулықты STIHL делдалыңызға беріңіз.

Ол алдын ала басылған ерістерде қызмет көрсету жұмыстарының өткізілуін растайды.

STIHL RM 443, RM 443 T, RM 448 PC, RM 448 PT
RM 448 T, RM 448 TC, RM 448 TX, RM 448 VC

STIHL



0478 111 9841 A

A



INT 2